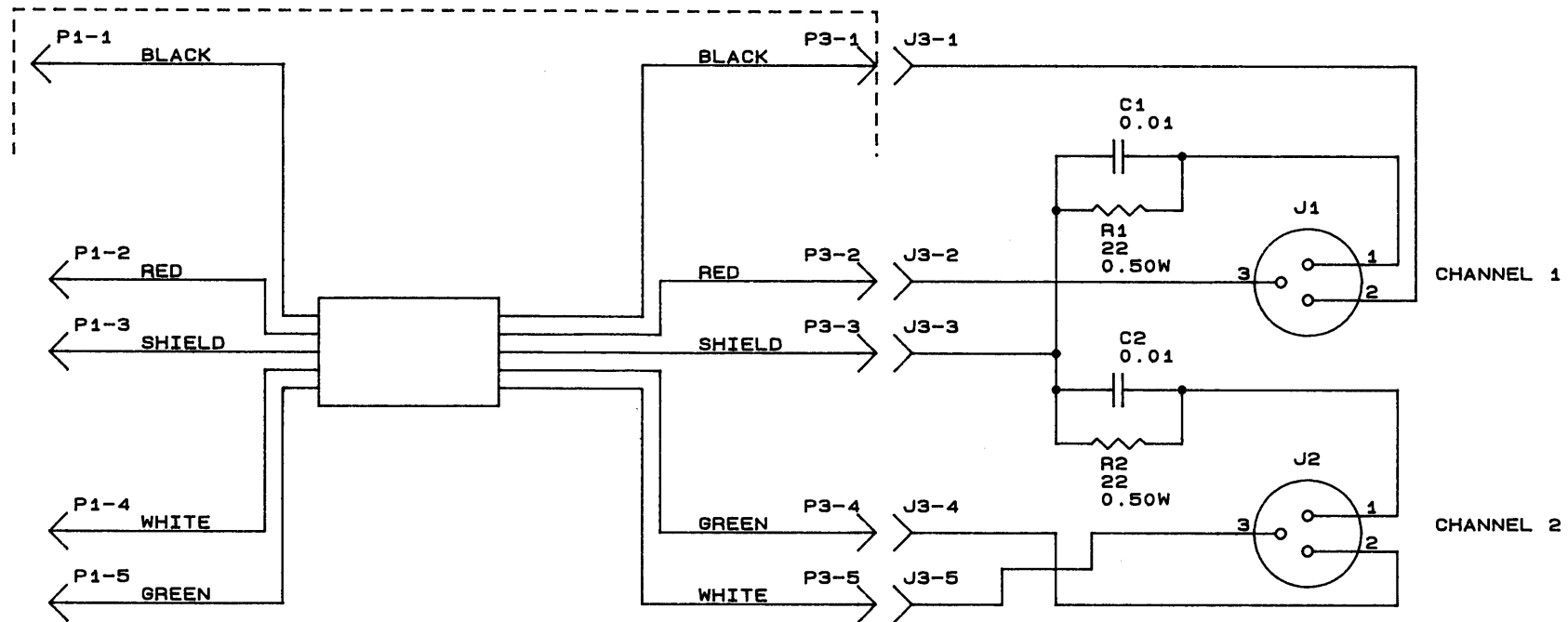


E.C.N.	ZONE	REV	DESCRIPTION	DATE	BY	APPROVALS				
						CK	ME	EE	PE	
	○									
	○									
	○									

D 7623-8
PART OF NEXT
HIGHER ASSEMBLY



- NOTES :
1. ALL RESISTORS ARE IN OHMS, 1/4W, 5% UNLESS OTHERWISE SPECIFIED.
 2. ALL CAPACITORS ARE IN MICROFARADS UNLESS OTHERWISE SPECIFIED.

LAST USED	OBSOLETED
C2	
J3	
R2	

CROWN INTERNATIONAL, INC.
1718 W. MISHAWAKA RD. ELKHART, IN. 46517 (219) 294-8000

SCHEM., MT-XLR

DRAWN	LCD	04/25/95	APPROVED BY:	DO NOT SCALE PRINT
CHECKED			ME	SUPERSEDES
SCALE	NONE		EE	E.C.N.
PROJ #	D152		PE <i>Jm 2-26-96</i>	C.P.N.
NEXT ASSEMBLY				J0690-8

THESE DRAWINGS AND SPECIFICATIONS ARE THE PROPERTY OF CROWN INTERNATIONAL, INC. AND SHALL NOT BE REPRODUCED, COPIED, OR USED AS THE BASIS FOR THE MANUFACTURE OR SALE OF APPARATUS OR DEVICES WITHOUT PERMISSION.