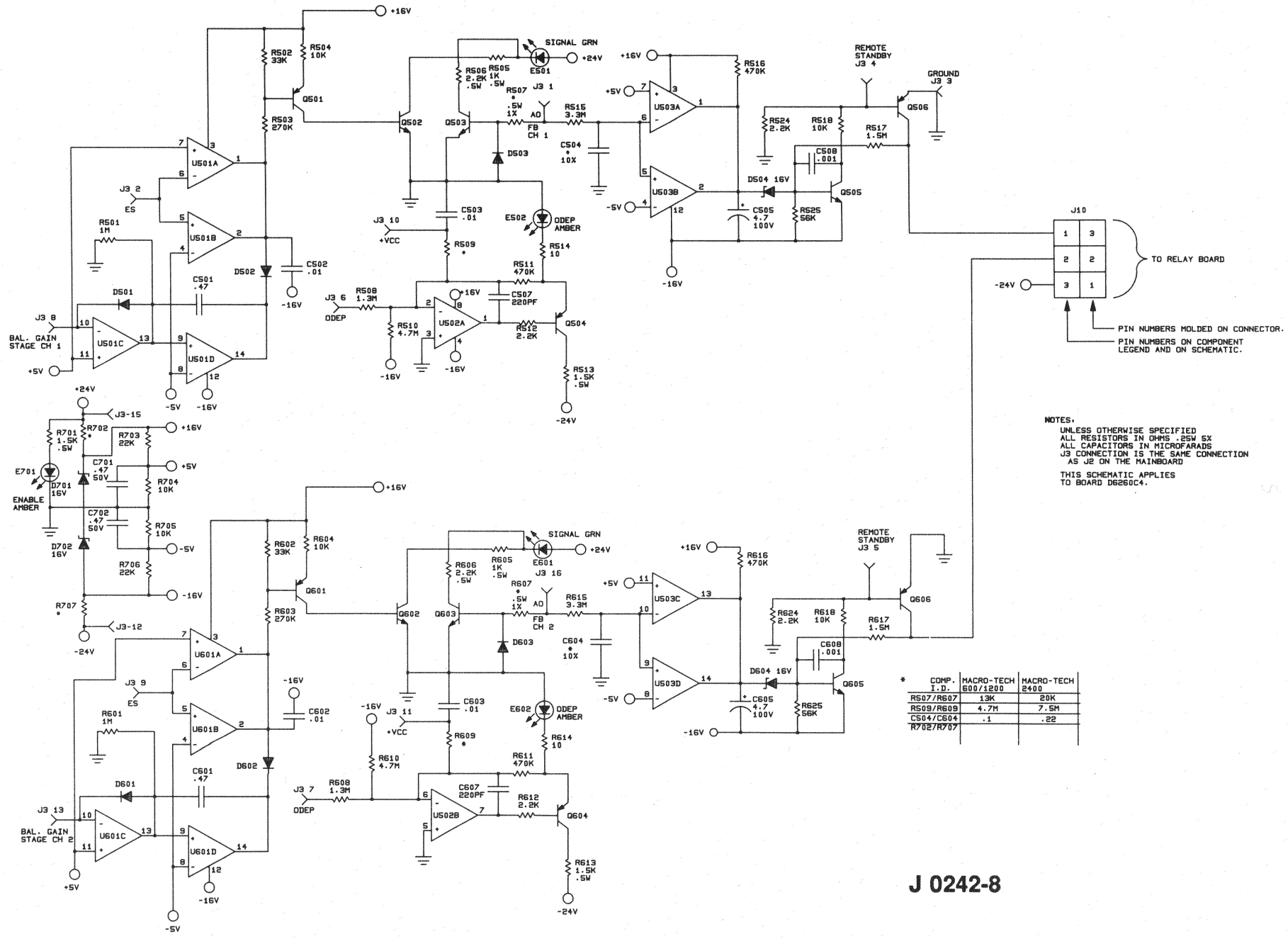


1
2
3
4
5
6
7



NOTES.
UNLESS OTHERWISE SPECIFIED
ALL RESISTORS IN OHMS .25W 5%
ALL CAPACITORS IN MICROFARADS
J3 CONNECTION IS THE SAME CONNECTION
AS J2 ON THE MAINBOARD
THIS SCHEMATIC APPLIES
TO BOARD D6260C4.

J 0242-8

* COMP. I. D.	MACRO-TECH 600/1200	MACRO-TECH 2400
R507/R607	13K	20K
R509/R609	4.7H	7.5H
C504/C604	.1	.22
R702/R707		