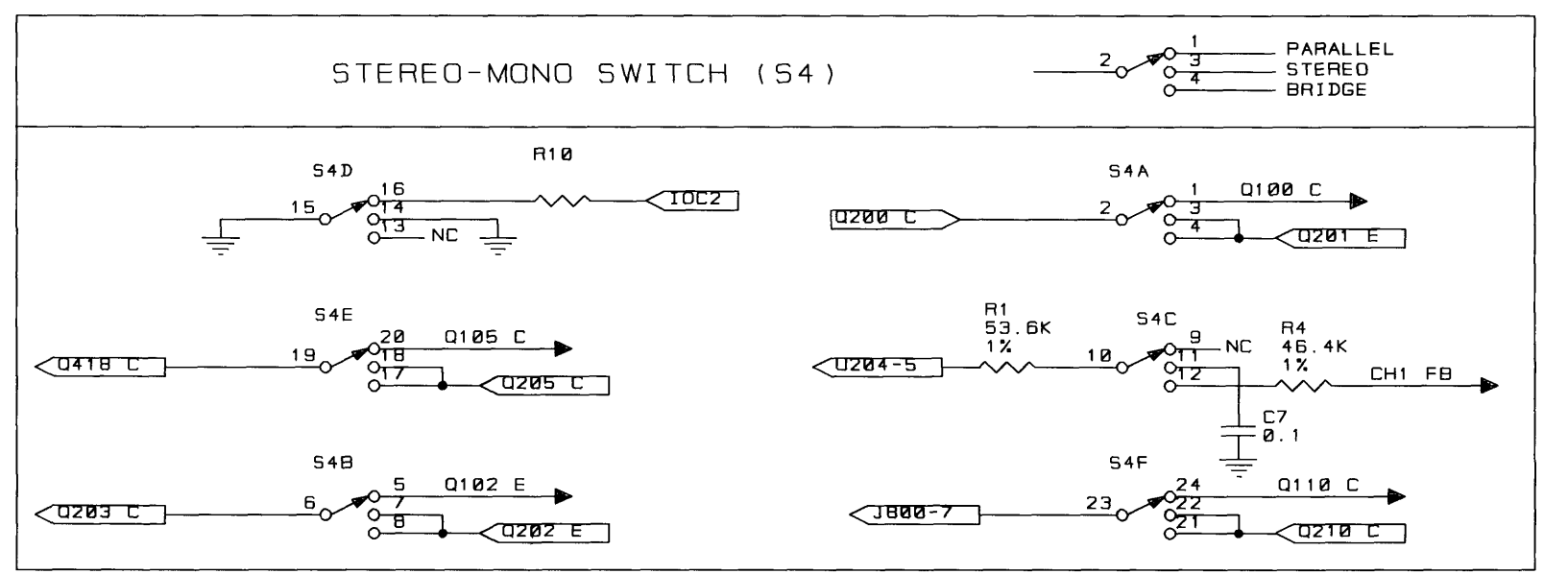
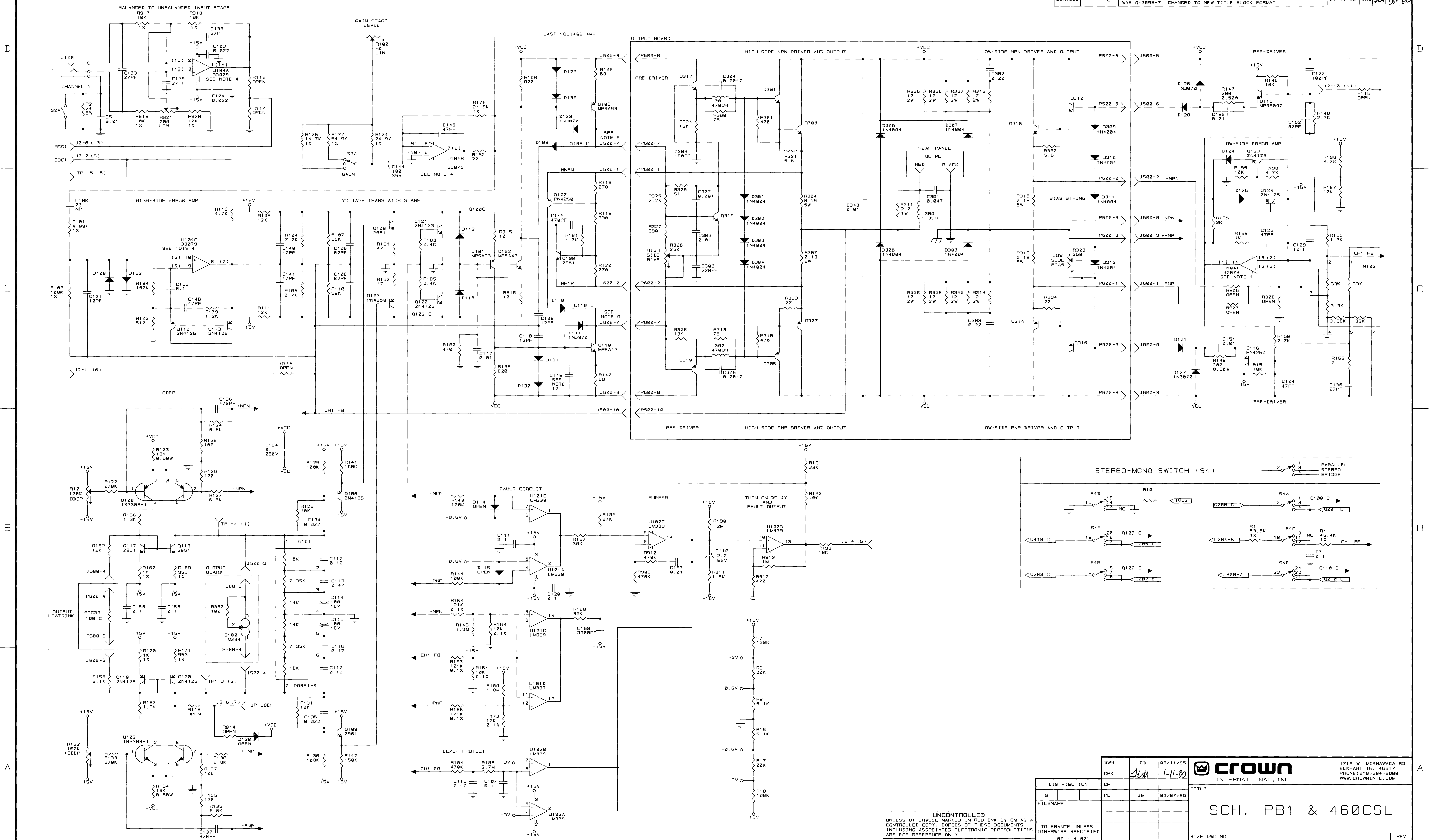


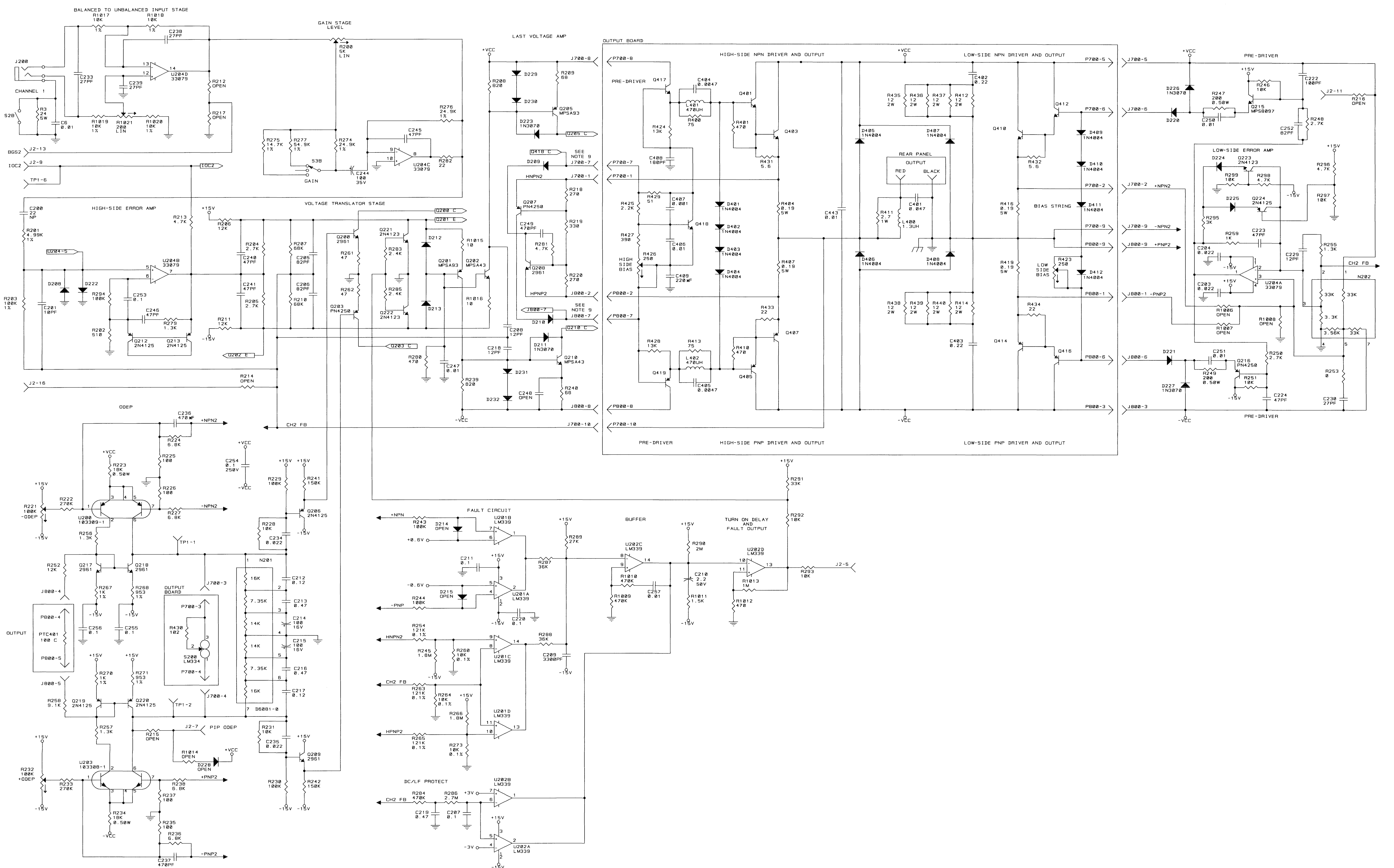
| E.C.N. | | ZONE | REV | DESCRIPTION | DATE | APPROVED |
|---------|--------|------|-----|--|----------|----------|
| BAT | 95-202 | | A | ADD NOTE 12 | 11/28/95 | LCD |
| BAT | 95-103 | | B | C105, C106 WERE 47PF | 05/28/95 | LCD |
| B9N1035 | | | C | U100, U200 WERE UPA75. U103, U203 WERE UPA75. NOTE 11. 043006-5 WAS 043009-7. CHANGED TO NEW TITLE BLOCK FORMAT. | 01/11/98 | JAW |



UNCONTROLLED
 UNLESS OTHERWISE MARKED IN RED INK BY CW AS A CONTROLLED COPY, COPIES OF THESE DOCUMENTS INCLUDING ASSOCIATED ELECTRONIC REPRODUCTIONS ARE FOR REFERENCE ONLY.
 THESE DRAWINGS AND SPECIFICATIONS ARE THE PROPERTY OF CROWN INTERNATIONAL, INC. AND SHALL NOT BE REPRODUCED, COPIED, OR USED AS THE BASIS FOR THE MANUFACTURE OR SALE OF APPARATUS OR DEVICES WITHOUT PERMISSION.

| | | | |
|--------------------------------------|---|------|----------|
| DISTRIBUTION | CM | DATE | 05/11/95 |
| FILENAME | PE | DATE | 06/07/95 |
| TOLERANCE UNLESS OTHERWISE SPECIFIED | .00 - 1.02" .008 - 1.018" DRILLS - 1.003" | | |
| DO NOT SCALE DRAWING | | | |

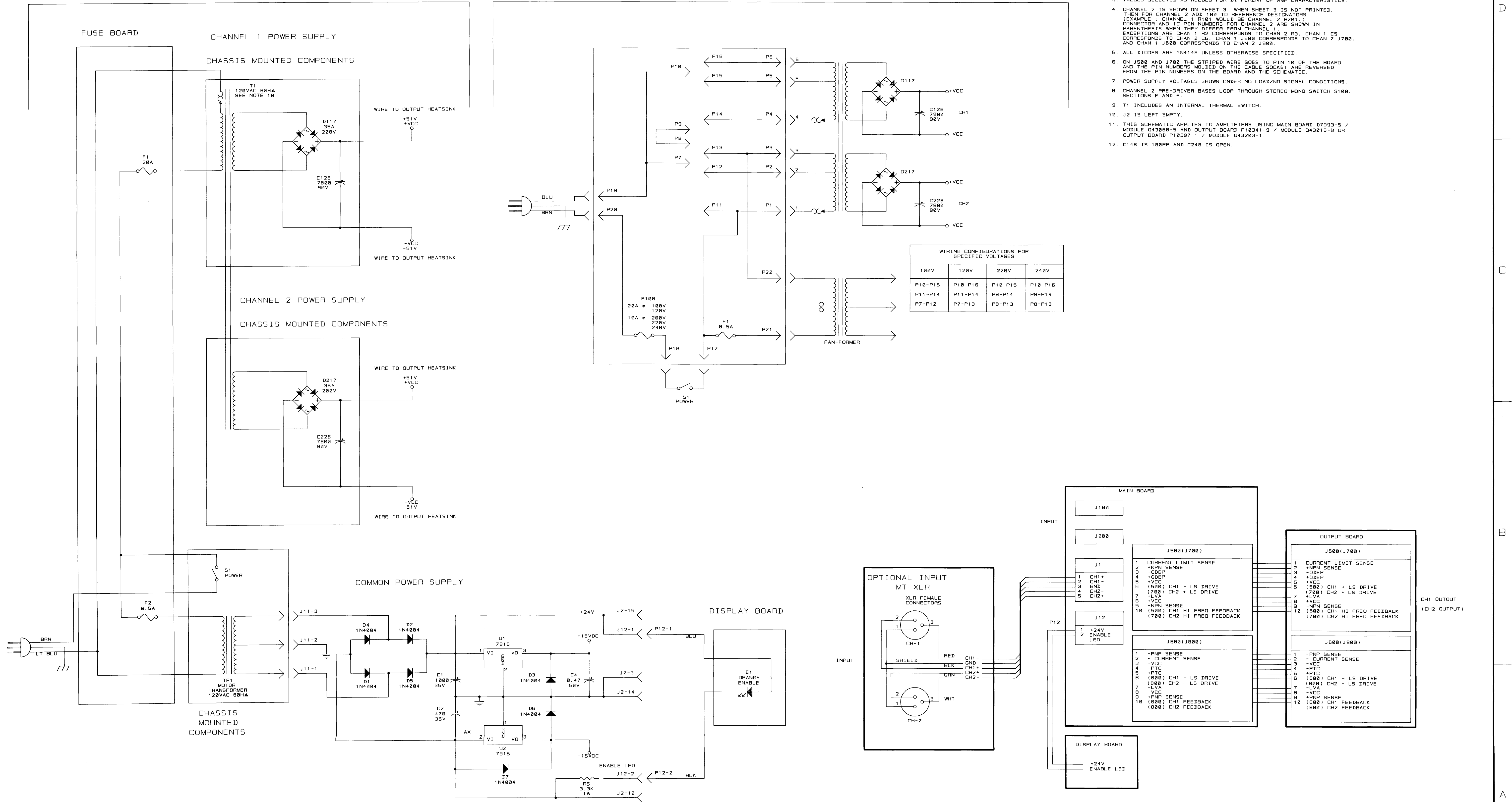
| | | | |
|-------|-------------------|-----------|---------|
| TITLE | SCH, PB1 & 460CSL | | |
| SIZE | DWG NO. | J0694-0 | |
| SCALE | NONE | PROJ. NO. | MD26450 |
| SHEET | 1 | OF 3 | |



| | | | | | | |
|--|------|---|---------|-------|----------|------|
| UNCONTROLLED | | THESE DRAWINGS AND SPECIFICATIONS ARE THE PROPERTY OF CROWN INTERNATIONAL, INC. AND SHALL NOT BE REPRODUCED, COPIED, OR USED AS THE BASIS FOR THE MANUFACTURE OR SALE OF APPARATUS OR DEVICES WITHOUT PERMISSION. | | SIZE | DWG. NO. | REV. |
| UNLESS OTHERWISE MARKED IN RED INK BY CM AS A CONTROLLED COPY, COPIES OF THESE DOCUMENTS INCLUDING ASSOCIATED ELECTRONIC REPRODUCTIONS ARE FOR REFERENCE ONLY. | | | | D | J0694-0 | C |
| SCALE | NONE | PROJ. NO. | MD26458 | SHEET | 2 OF 3 | |

120V 60HZ

INTERNATIONAL



- NOTES :
1. ALL RESISTORS ARE IN OHMS, 1/4W, 5% UNLESS OTHERWISE SPECIFIED.
 2. ALL CAPACITORS ARE IN MICROFARADS UNLESS OTHERWISE SPECIFIED.
 3. VALUES SELECTED AS NEEDED FOR DIFFERENT OP AMP CHARACTERISTICS.
 4. CHANNEL 2 IS SHOWN ON SHEET 3. WHEN SHEET 3 IS NOT PRINTED, THEN FOR CHANNEL 2 ADD 100 TO REFERENCE DESIGNATORS. (EXAMPLE: CHANNEL 1 P101 WOULD BE CHANNEL 2 P201.) CONNECTOR AND IC PIN NUMBERS FOR CHANNEL 2 ARE SHOWN IN PARENTHESES WHEN THEY DIFFER FROM CHANNEL 1. EXCEPTIONS ARE CHAN 1 P2 CORRESPONDS TO CHAN 2 R3, CHAN 1 C5 CORRESPONDS TO CHAN 2 C6, CHAN 1 J500 CORRESPONDS TO CHAN 2 J700, AND CHAN 1 J800 CORRESPONDS TO CHAN 2 J900.
 5. ALL DIODES ARE 1N4148 UNLESS OTHERWISE SPECIFIED.
 6. ON J500 AND J700 THE STRIPED WIRE GOES TO PIN 10 OF THE BOARD AND THE PIN NUMBERS MOLDED ON THE CABLE SOCKET ARE REVERSED FROM THE PIN NUMBERS ON THE BOARD AND THE SCHEMATIC.
 7. POWER SUPPLY VOLTAGES SHOWN UNDER NO LOAD/NO SIGNAL CONDITIONS.
 8. CHANNEL 2 PRE-DRIVER BASES LOOP THROUGH STEREO-MONO SWITCH S100, SECTIONS E AND F.
 9. T1 INCLUDES AN INTERNAL THERMAL SWITCH.
 10. J2 IS LEFT EMPTY.
 11. THIS SCHEMATIC APPLIES TO AMPLIFIERS USING MAIN BOARD D7993-5 / MODULE Q43006-5 AND OUTPUT BOARD P10341-9 / MODULE Q43015-9 OR OUTPUT BOARD P10337-1 / MODULE Q43203-1.
 12. C148 IS 100PF AND C248 IS OPEN.