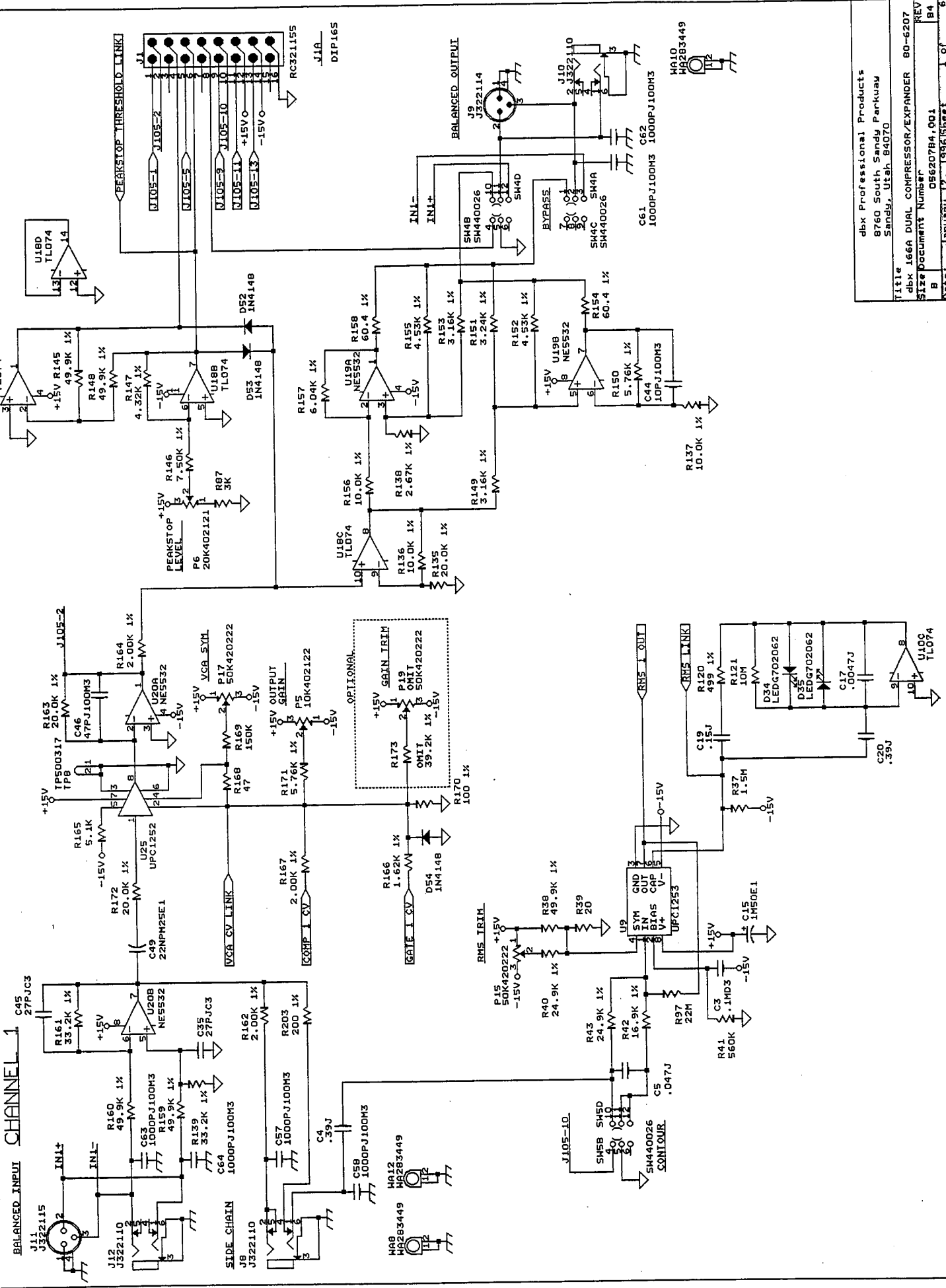


CHANNEL 1



dbx Professional Products
 8760 South Sandy Parkway
 Sandy, Utah 84070

Title
 dbx 166A DUAL COMPRESSOR/EXPANDER 80-6207

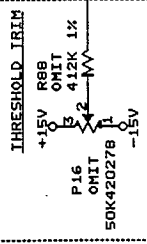
Size Document Number
 B 056207B4,001

Date
 January 17, 1996

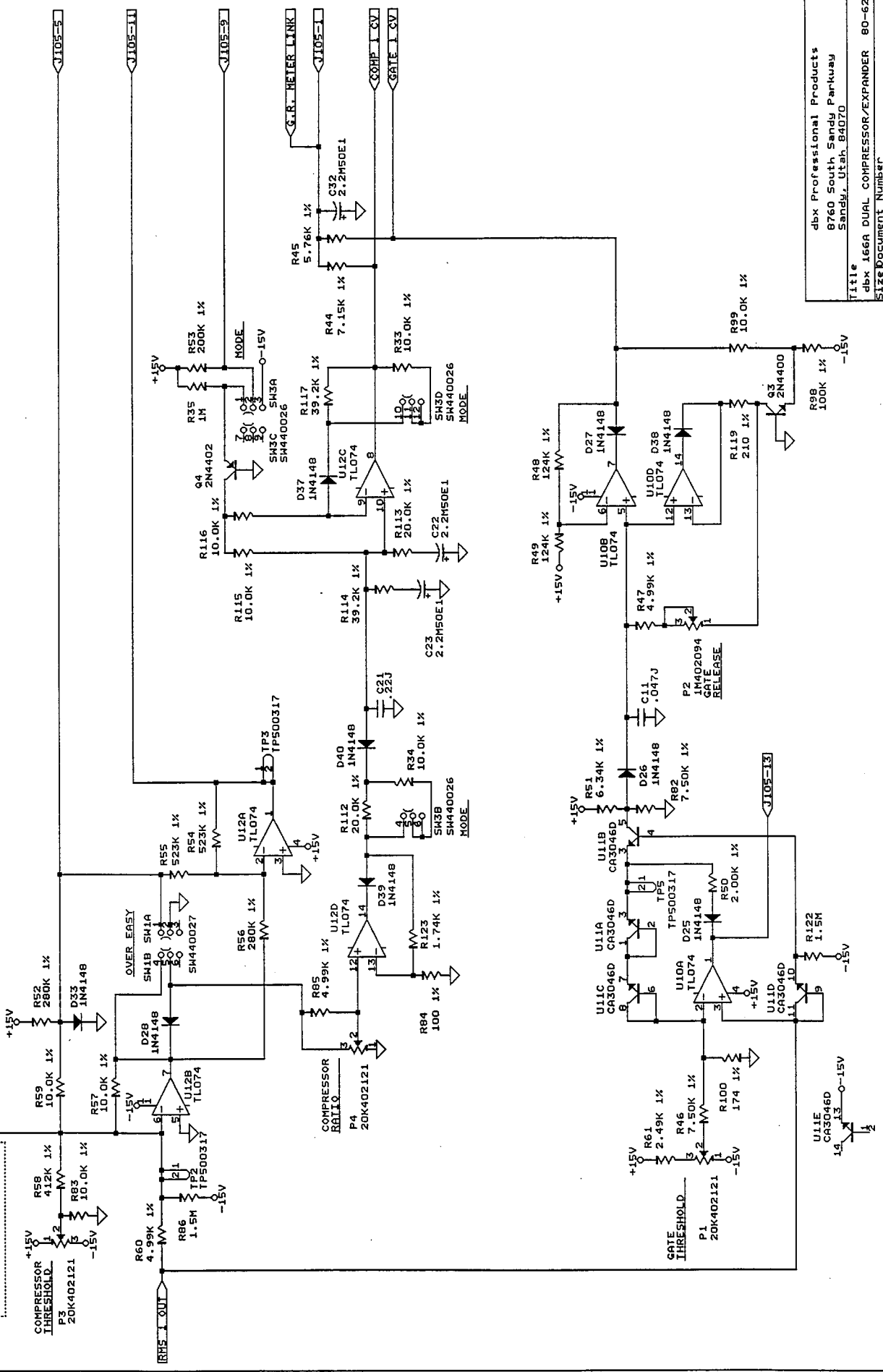
REV
 B4

1 of 6

OPTIONAL



CHANNEL 1



CHANNEL 2

OPTIONAL
 THRESHOLD TRIM
 +15V R109
 OMIT
 P14 412K 1%
 OMIT
 50K420278
 -15V

COMPRESSOR THRESHOLD
 +15V R76 412K 1%
 P9 20K402121
 -15V R106 10.0K 1%

RMS 2 OUT
 +15V R78 4.99K 1%
 R110 1.5M
 -15V

OVER EASY
 +15V R70 280K 1%
 D36 IN4148
 -15V R75 10.0K 1%
 U16A TL074

COMPRESSOR
 +15V R108 4.99K 1%
 P10 20K402121
 -15V R107 100 1%
 U16B TL074

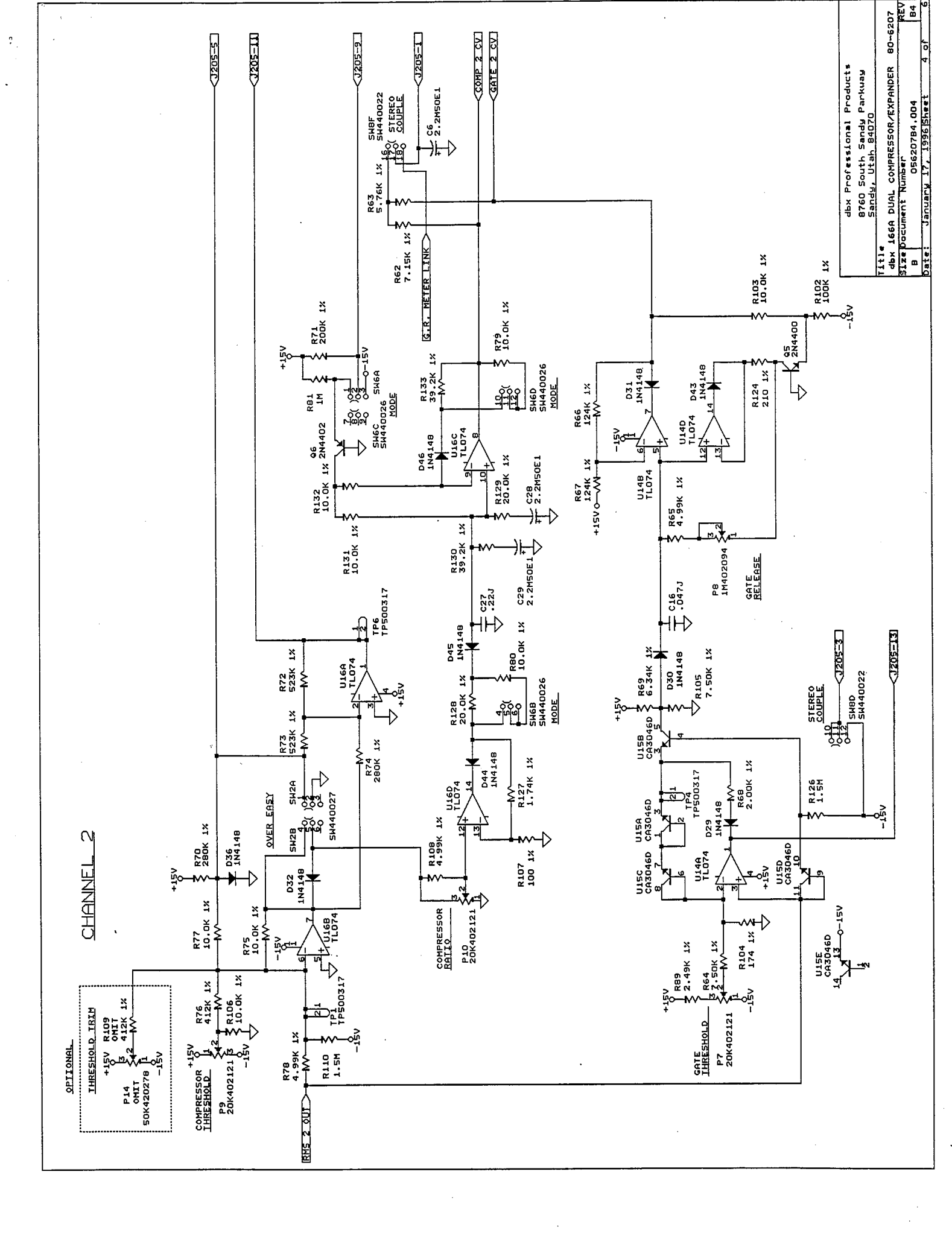
GATE THRESHOLD
 +15V R89 2.49K 1%
 P7 20K402121
 -15V R104 174 1%
 U15A CA3046D

STEREO COUPLE
 +15V R126 1.5M
 -15V U15E CA3046D

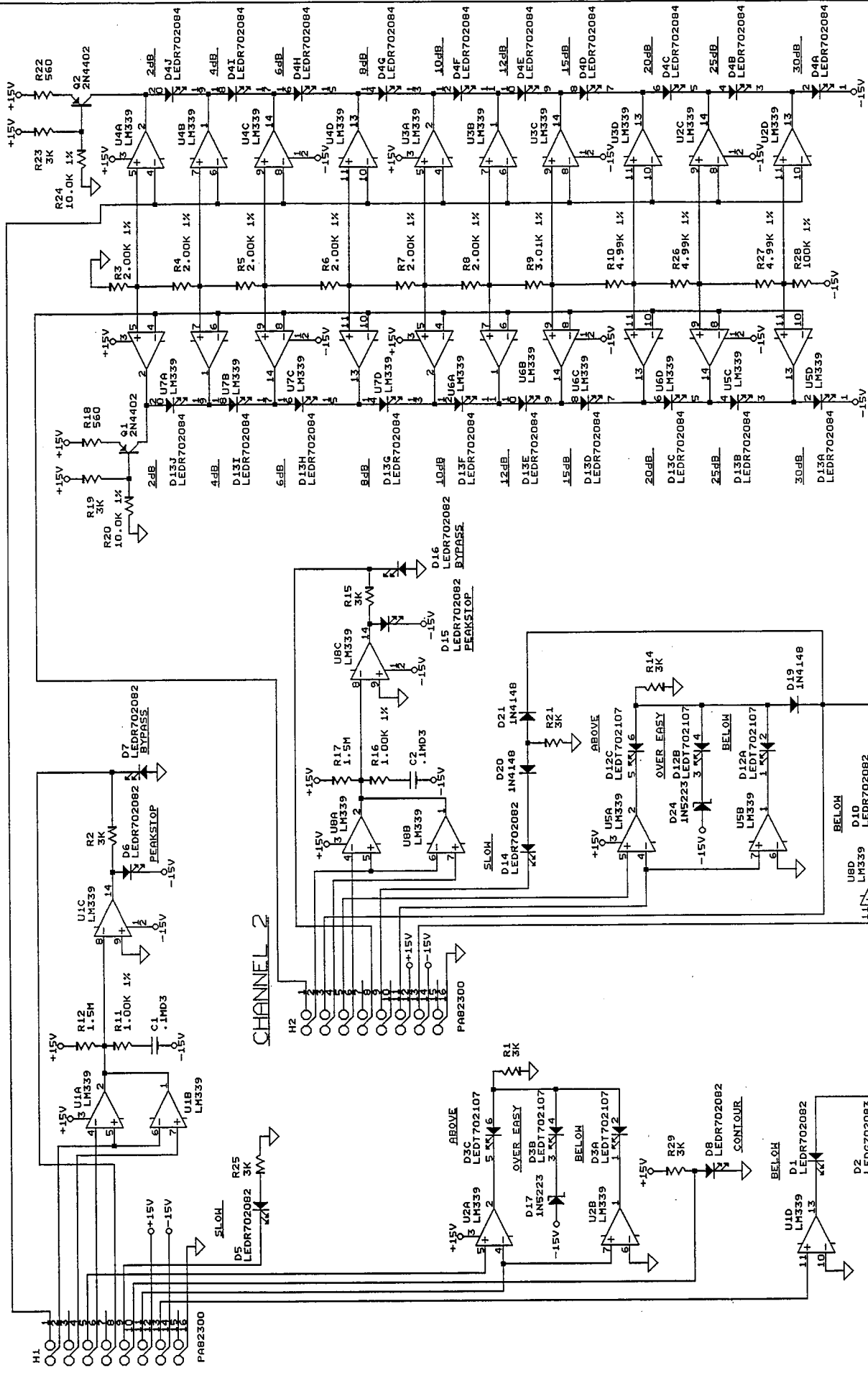
GATE RELEASE
 +15V R65 4.99K 1%
 C16 .047J
 P8 IN402094
 -15V R124 210 1%
 U15D CA3046D

G.R. METER LINK
 +15V R62 7.15K 1%
 C6 2.2M50E1
 -15V R63 5.76K 1%
 U15C CA3046D

COMP 2 CV
 +15V R79 10.0K 1%
 -15V R102 100K 1%
 U15B CA3046D



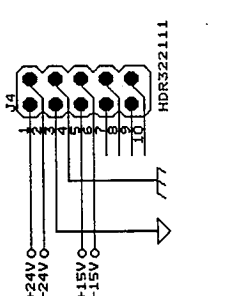
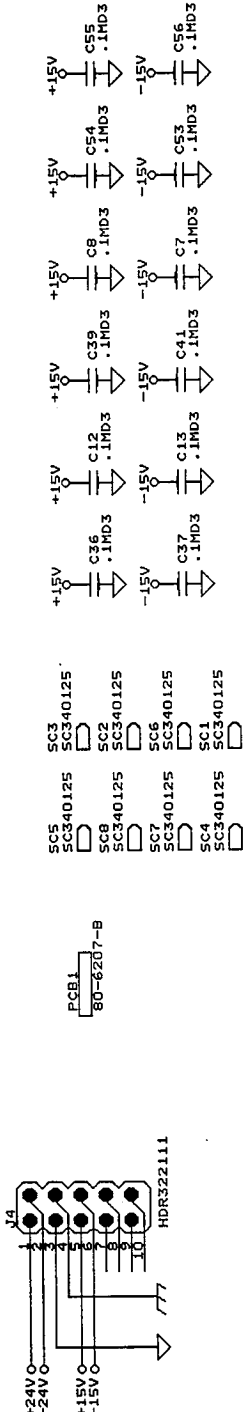
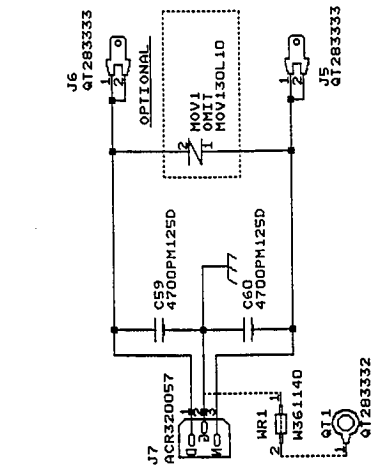
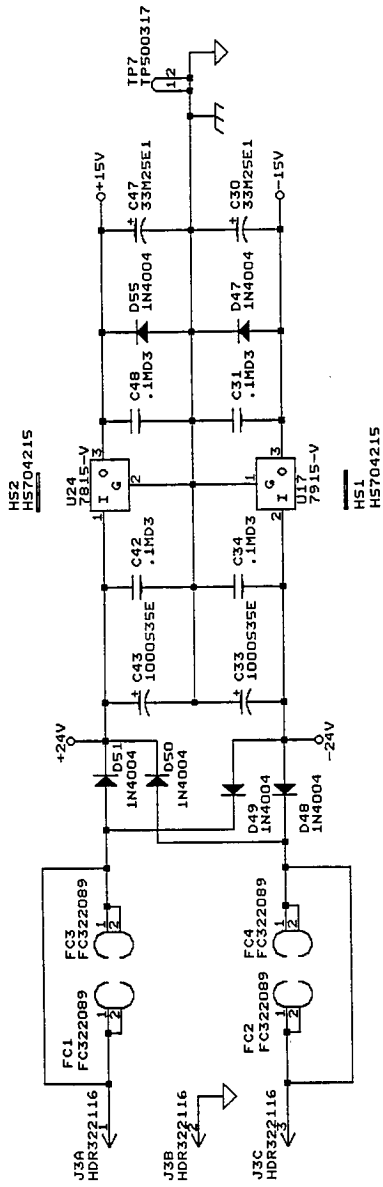
CHANNEL 1



CHANNEL 2

dbx Professional Products
 9760 South Sandy Parkway
 Sandy, Utah, 84070

Title dbx 166A DUAL COMPRESSOR/EXPANDER 80-6207
 Size Document Number B 05620784.005 REV
 Date: January 17, 1996 Sheet 5 of 6



- SC5 SC340125
- SC8 SC340125
- SC7 SC340125
- SC4 SC340125
- SC3 SC340125
- SC2 SC340125
- SC6 SC340125
- SC1 SC340125

MS2
MS704215

MS1
MS704215

DOD Software

dbx 166A DUAL COMPRESSOR/EXPANDER 80-6207 Revised: January 17, 1996

056207B4.000

Revision: B4

Bill Of Materials

January 17, 1996

14:36:59

Quan	Reference	Part	SYMAN	Description
20	C1, C2, C3, C7, C8, C9, C12, C13, C31, C34, C36, C37, C39, C41, C42, C48, C53, C54, C55, C56	.1MD3	62-0060	.1 uF Cap 50V 20% Ceramic AXL
4	C4, C14, C20, C26	.39J	56-0040	.39 uF Cap 50V 5% Stacked Metal Pet 394J ammo
4	C5, C10, C11, C16	.047J	56-0010	.047 uF Cap 50V 5% Stacked Metal Pet 473J ammo
6	C6, C22, C23, C28, C29, C32	2.2M50E1	60-0400	2.2 uF Cap 50V -20/+20% Elect. Rad, T&R
2	C15, C18	1M50E1	60-0044-01	1.0 uF Cap 50V -20/+20% Elect., T&R C&F
2	C17, C25	.0047J	56-0004	.0047 uF Cap 50V 5% Poly Film 472J ammo
2	C19, C24	.15J	56-0013	.15 uF Cap 50V 5% Stacked Metal Pet 154J ammo
2	C21, C27	.22J	56-0014	.22 uF Cap 50V 5% Stacked Metal Pet 224J ammo
2	C30, C47	33M25E1	60-0401	33 uF Cap 25V -20/+20% Elect. Rad, T&R
2	C33, C43	1000S35E	60-0063	1000 uF Cap 35V -20/+80% Elect
4	C35, C38, C40, C45	27PJC3	62-0066	27 pF Cap 50V 20% Axial Monolithic
2	C44, C50	10PJ100M3	62-0063	10 pF Cap 100V 5% Ceramic AXL NPO
2	C46, C51	47PJ100M3	62-0064	47 pF Cap 100V 5% Ceramic AXL NPO
2	C49, C52	22NPM25E1	60-0402	22 uF Cap 25V -20/+20% Elect. NP, T&R
12	C57, C58, C61, C62, C63, C64, C65, C66, C67, C68, C69, C70	1000PJ100M	62-0061	1000 pF Cap 100V 5% Ceramic AXL NPO
2	C59, C60	4700PM125D	62-0039	4700 pF Cap 125V 20% Ceramic
10	D1, D5, D6, D7, D8, D9, D10, D14, D15, D16	LEDR702082	70-2082	Red Light Emitting Diode, T1 Encap, w/housing
2	D2, D11	LEDG702083	70-2083	Green Light Emitting Diode, T1 Encap, w/housing
2	D3, D12	LEDT702107	70-2107	G/Y/R Light Emitting Diode, T1 LMX, 3 pos
2	D4, D13	LEDR702084	70-2084	Red Light Emitting Diode, T1 Encap, 10 pos
2	D17, D24	1N5223	70-0041	1N5223 Diode Zener Glass, 1/2W, 50V, 10%
30	D18, D19, D20, D21, D22, D23, D25, D26, D27, D28, D29, D30, D31, D32, D33, D36, D37, D38, D39, D40, D43, D44, D45, D46, D52, D53, D54, D56, D57, D58	1N4148	70-0002	1N4148 Diode Silicon Switching, 75 Volts PIV
4	D34, D35, D41, D42	LEDG702062	70-2062	LED Green, T1 Case
6	D47, D48, D49, D50, D51, D55	1N4004	70-0009	1N4004 Rect 1A 400V
4	FC1, FC2, FC3, FC4	FC322089	32-2089	Fuse Clip, 5 x 20mm
2	H1, H2	PA82300	00-0000	8X2 Pin Pad Pattern, Not a part, .300 Spacing
2	HS1, HS2	HS704215	70-4215	Heatsink, PCB Mount, for TO-220
2	J1, J2	RC321155	32-1155	16 Pin Cable, Flat, w/2 ends, 3.00", 0.1" spacing
2	J1A, J2A	DIP16S	70-3022	16 Pin Dip Socket
1	J3	HDR322116	32-2116	3 Pin Hdr, Straight, .23", 0.1" spacing
1	J4	HDR322111	32-2111	10 Pin Hdr, 5X2, Straight, .23", 0.1" spacing
2	J5, J6	QT283333	28-3333	Quick-tab, Terminal, PC Mount, 2 Pin
1	J7	ACR320057	32-0057	AC Power Receptical, IEC, Non filtered
6	J8, J10, J12, J13, J15, J17	J322110	32-2110	Jack, 1/4" Phone, PC Mount, Hor., Cliff S2
2	J9, J14	J322114	32-2114	XLR, Male PC Mount, Ins, R/A
2	J11, J16	J322115	32-2115	XLR, Female PC Mount, Ins, R/A
9	MOV1, P14, P16, P19, P20, R88, R109, R173, R202	OMIT	00-0000	This part has been omitted
8	P1, P3, P4, P6, P7, P9, P10, P12	20K402121	40-2121	20 K 16mm, Rot Pot, 15mm Knurled shaft
2	P2, P8	1M402094	40-2094	1 M "D" 16mm, Rot Pot, 15mm D Shaft
2	P5, P11	10K402122	40-2122	10 K "B" 16mm, Rot Pot, 15mm Knurled shaft
4	P13, P15, P17, P18	50K420222	42-0222	50 K Trim Pot, Vertical Mount, 3/4 turn

DOD Software

dbx 166A DUAL COMPRESSOR/EXPANDER 80-6207 Revised: January 17, 1996

056207B4.000

Revision: B4

Bill Of Materials

January 17, 1996

14:36:59

Quan	Reference	Part	SYMAN	Description
1	PCB1	80-6207-B	80-6207-B	dbx 166AD MAIN PCB RAW
4	Q1,Q2,Q4,Q6	2N4402	70-1035	2N4402 PNP, TR SIGNAL
2	Q3,Q5	2N4400	70-1041	2N4400 NPN, TR SIGNAL
1	QT1	QT283332	28-3332	Quick-tab, Terminal, Crimp, Ring, Ins, 6R
14	R1,R2,R13,R14,R15,R19, R21,R23,R25,R29,R30,R31, R87,R111	3K	50-0211	3 KOhm Resistor 5% 1/4 Watt Carbon Film
14	R3,R4,R5,R6,R7,R8,R50, R68,R162,R164,R167,R191, R193,R199	2.00K 1%	52-0186	2.00 KOhm Resistor 1% 1/4 Watt Metal Film
1	R9	3.01K 1%	52-0125	3.01 KOhm Resistor 1% 1/4 Watt Metal Film
9	R10,R26,R27,R47,R60,R65, R78,R85,R108	4.99K 1%	52-0165	4.99 KOhm Resistor 1% 1/4 Watt Metal Film
2	R11,R16	1.00K 1%	52-0133	1.00 KOhm Resistor 1% 1/4 Watt Metal Film
8	R12,R17,R37,R86,R90,R110, R122,R126	1.5M	50-0053	1.5 MOhm Resistor 5% 1/4 Watt Carbon Film
2	R18,R22	560	50-0193	560 Ohm Resistor 5% 1/4 Watt Carbon Film
25	R20,R24,R32,R33,R34,R57, R59,R75,R77,R79,R80,R83, R99,R103,R106,R115,R116, R131,R132,R136,R137,R141, R142,R156,R185	10.0K 1%	52-0107	10.0 KOhm Resistor 1% 1/4 Watt Metal Film
3	R28,R98,R102	100K 1%	52-0305	100 KOhm Resistor 1% 1/4 Watt Metal Film
2	R35,R81	1M	50-0045	1 MOhm Resistor 5% 1/4 Watt Carbon Film
6	R36,R84,R101,R107,R170, R197	100 1%	52-0400	100 Ohm Resistor 1% 1/4 Watt Metal Film
10	R38,R91,R145,R148,R159, R160,R174,R177,R188,R189	49.9K 1%	52-0020	49.9 KOhm Resistor 1% 1/4 Watt Metal Film
2	R39,R92	20	50-0157	20 Ohm Resistor 5% 1/4 Watt Carbon Film
4	R40,R43,R93,R96	24.9K 1%	52-0039	24.9 KOhm Resistor 1% 1/4 Watt Metal Film
2	R41,R94	560K	50-0269	560 KOhm Resistor 5% 1/4 Watt Carbon Film
2	R42,R95	16.9K 1%	52-0048	16.9 KOhm Resistor 1% 1/4 Watt Metal Film
2	R44,R62	7.15K 1%	52-0113	7.15 KOhm Resistor 1% 1/4 Watt Metal Film
6	R45,R63,R150,R171,R179, R200	5.76K 1%	52-0116	5.76 KOhm Resistor 1% 1/4 Watt Metal Film
6	R46,R64,R82,R105,R146, R175	7.50K 1%	52-2090	7.50 KOhm Resistor 1% 1/4 Watt Metal Film
4	R48,R49,R66,R67	124K 1%	52-0296	124 KOhm Resistor 1% 1/4 Watt Metal Film
2	R51,R69	6.34K 1%	52-0159	6.34 KOhm Resistor 1% 1/4 Watt Metal Film
4	R52,R56,R70,R74	280K 1%	52-0262	280 KOhm Resistor 1% 1/4 Watt Metal Film
2	R53,R71	200K 1%	52-0276	200 KOhm Resistor 1% 1/4 Watt Metal Film
4	R54,R55,R72,R73	523K 1%	52-0237	523 KOhm Resistor 1% 1/4 Watt Metal Film
2	R58,R76	412K 1%	52-0247	412 KOhm Resistor 1% 1/4 Watt Metal Film
2	R61,R89	2.49K 1%	52-0141	2.49 KOhm Resistor 1% 1/4 Watt Metal Film
2	R97,R118	22M	50-0307	22 MOhm Resistor 5% 1/4 Watt Carbon Film
2	R100,R104	174 1%	52-0387	174 Ohm Resistor 1% 1/4 Watt Metal Film
10	R112,R113,R128,R129,R135, R140,R163,R172,R192,R201	20.0K 1%	52-0091	20.0 KOhm Resistor 1% 1/4 Watt Metal Film
4	R114,R117,R130,R133	39.2K 1%	52-0079	39.2 KOhm Resistor 1% 1/4 Watt Metal Film
2	R119,R124	210 1%	52-0373	210 Ohm Resistor 1% 1/4 Watt Metal Film
2	R120,R125	499 1%	52-0338	499 Ohm Resistor 1% 1/4 Watt Metal Film
2	R121,R134	10M	50-0060	10M MOhm Resistor 5% 1/4 Watt Carbon Film

dbx 166A DUAL COMPRESSOR/EXPANDER 80-6207 Revised: January 17, 1996

056207B4.000

Revision: B4

Bill Of Materials

January 17, 1996

14:36:59

Quan Reference	Part	SYMAN	Description
2	R123,R127	1.74K 1%	52-0190 1.74 KOhm Resistor 1% 1/4 Watt Metal Film
2	R138,R143	2.67K 1%	52-0178 2.67 KOhm Resistor 1% 1/4 Watt Metal Film
4	R139,R144,R161,R190	33.2K 1%	52-0082 33.2 KOhm Resistor 1% 1/4 Watt Metal Film
2	R147,R176	4.32K 1%	52-0167 4.32 KOhm Resistor 1% 1/4 Watt Metal Film
4	R149,R153,R178,R182	3.16K 1%	52-0132 3.16 KOhm Resistor 1% 1/4 Watt Metal Film
2	R151,R180	3.24K 1%	52-0124 3.24 KOhm Resistor 1% 1/4 Watt Metal Film
4	R152,R155,R181,R184	4.53K 1%	52-0119 4.53 KOhm Resistor 1% 1/4 Watt Metal Film
4	R154,R158,R183,R187	60.4 1%	52-0450 60.4 Ohm Resistor 1% 1/4 Watt Metal Film
2	R157,R186	6.04K 1%	52-0115 6.04 KOhm Resistor 1% 1/4 Watt Metal Film
2	R165,R194	5.1K	50-0217 5.1 KOhm Resistor 5% 1/4 Watt Carbon Film
2	R166,R198	1.62K 1%	52-0131 1.62 KOhm Resistor 1% 1/4 Watt Metal Film
2	R168,R195	47	50-0166 47 Ohm Resistor 5% 1/4 Watt Carbon Film
2	R169,R196	150K	50-0038 150 KOhm Resistor 5% 1/4 Watt Carbon Film
2	R203,R204	200 1%	52-0376 200 Ohm Resistor 1% 1/4 Watt Metal Film
8	SC1,SC2,SC3,SC4,SC5,SC6, SC7,SC8	SC340125	34-0125 Switch Cap, Black
2	SW1,SW2	SW440027	44-0027 DPDT I/O Switch (mini), PC Mount
5	SW3,SW4,SW5,SW6,SW7	SW440026	44-0026 4PDT I/O Switch (small), PC Mount
1	SW8	SW440022	44-0022 6PDT I/O Switch (mini), PC Mount
9	TP1,TP2,TP3,TP4,TP5,TP6, TP7,TP8,TP9	TP500317	50-0317 0 Ohm Test Point 5% 1/4 Watt Carbon Film Radial T&R
8	U1,U2,U3,U4,U5,U6,U7,U8	LM339	72-4053 Quad Comparator
2	U9,U13	UPC1253	72-4261 UPC1253HA2 RMS
6	U10,U12,U14,U16,U18,U21	TL074	72-4021 Quad JFet-Input Op-Amp
2	U11,U15	CA3046D	72-4321 CA3046 Matched Transister Pairs BPO
1	U17	7915-V	70-4124 7915 -15 Volt 1 A Voltage Regulator TO-220 VERT
4	U19,U20,U22,U23	NE5532	72-4316 5532 Low Noise Dual Op-Amp
1	U24	7815-V	70-4123 7815 +15 Volt 1 A Voltage Regulator TO-220 VERT
2	U25,U26	UPC1252	72-4262 UPC1252HA2 VCA
6	WA8,WA10,WA12,WA13,WA15, WA17	WA283449	28-3449 Washer, Ground, Int tooth, for Cliff S2 Jack
1	WR1	W361140	36-1140-A Wire, 2 End, 4.00", Grn w/Yel stripe 18AWG