

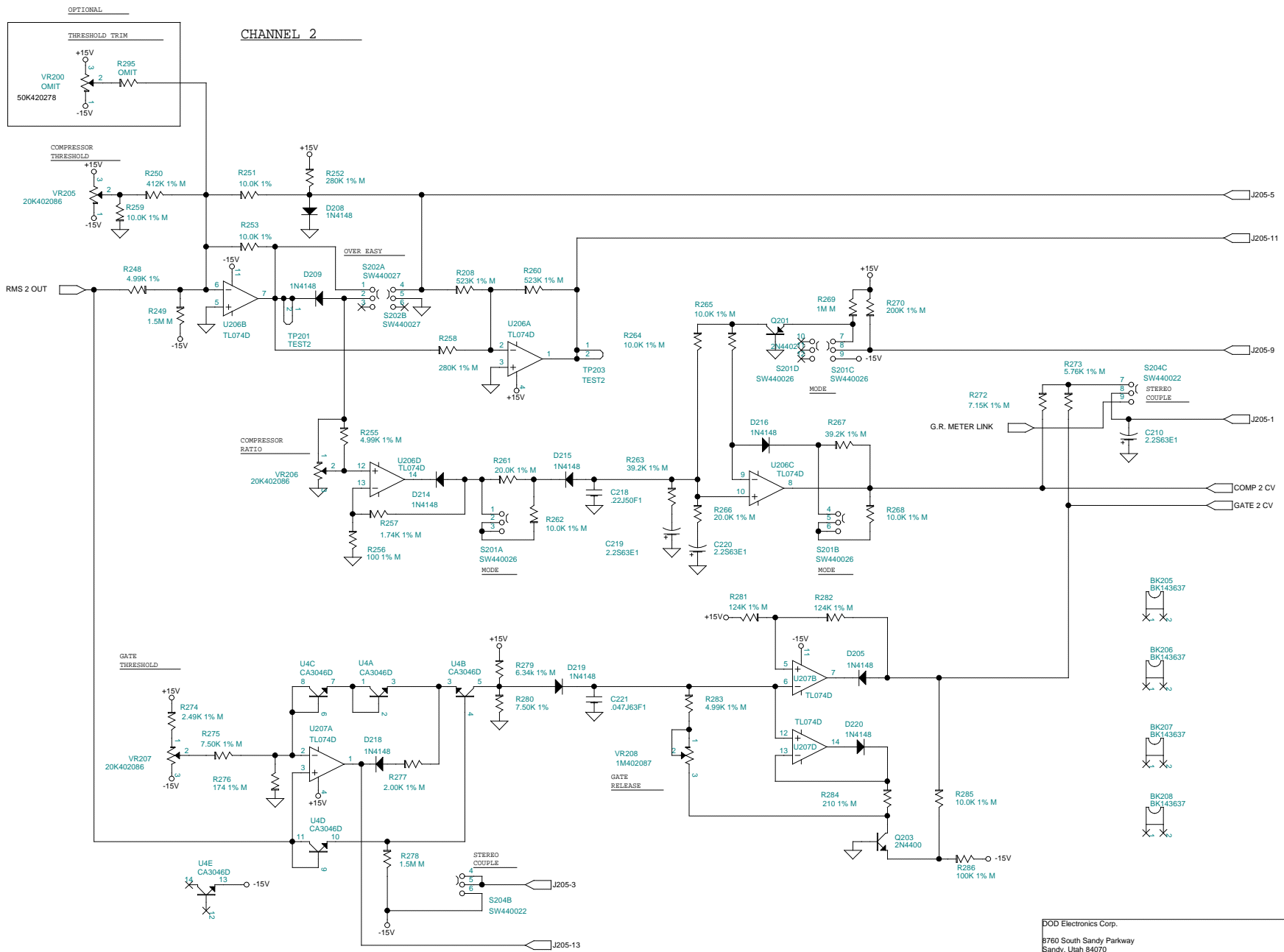
DOD Electronics Corp.  
 8760 South Sandy Parkway  
 Sandy, Utah 84070

Title  
 DBX 166A DUAL COMPRESSOR/EXPANDER 80-6153

Size B	Document Number 056153A0.003	Rev A0
-----------	---------------------------------	-----------

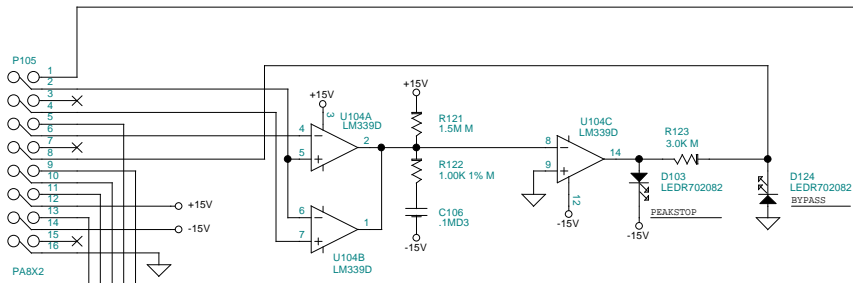
Date: Tuesday, October 19, 1999 Sheet 3 of 7



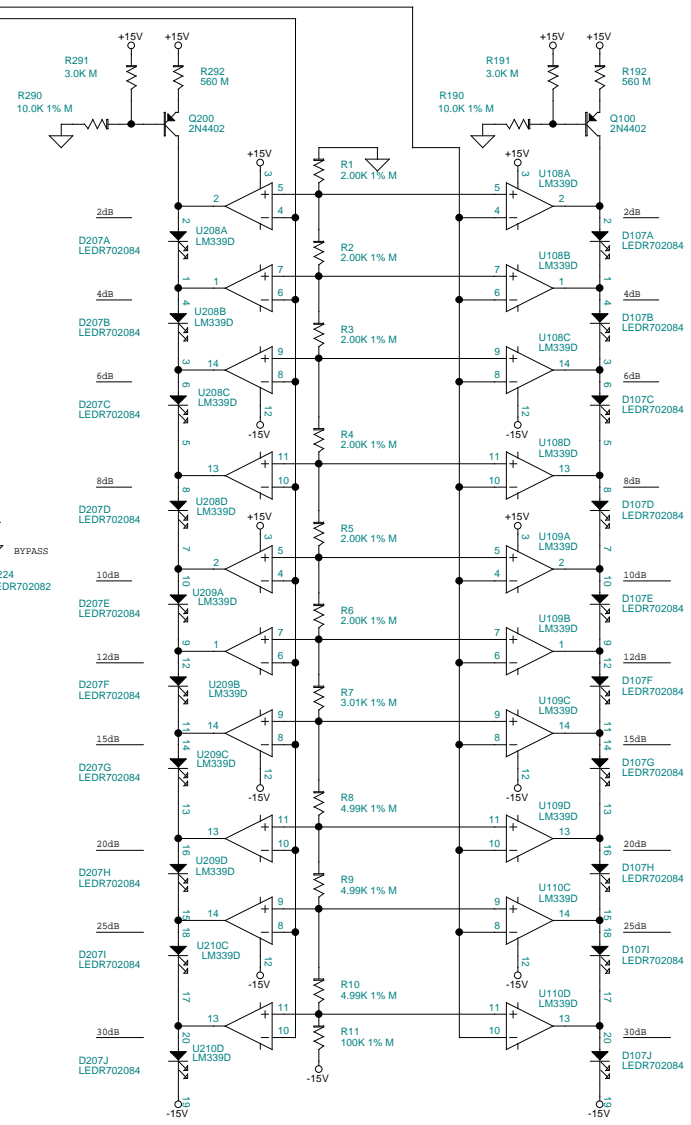
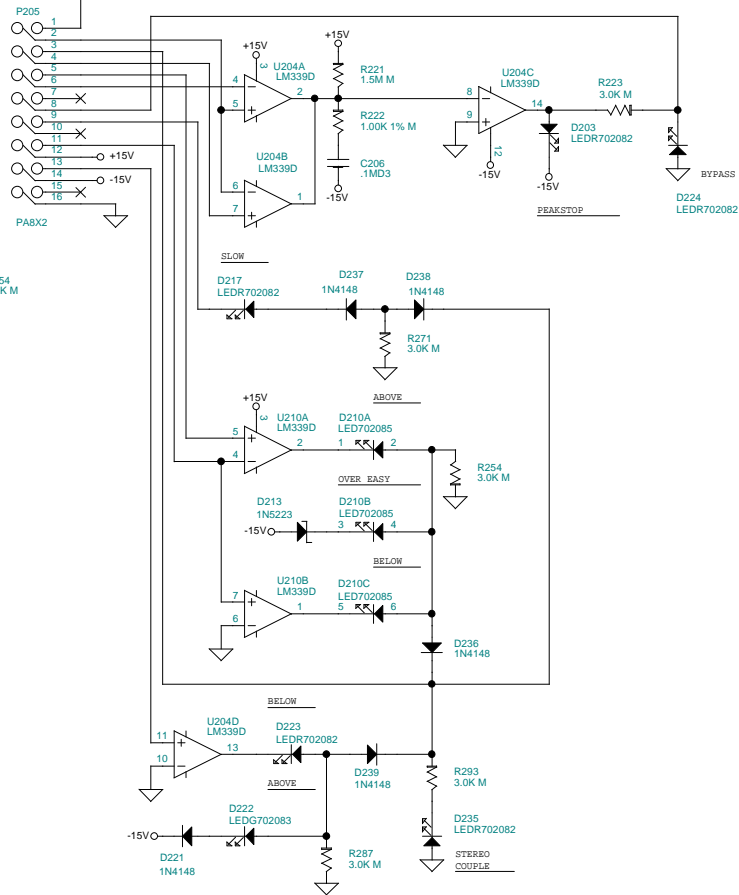


DOD Electronics Corp.	
8760 South Sandy Parkway Sandy, Utah 84070	
Title DBX 166A DUAL COMPRESSOR/EXPANDER 80-6153	
Size B	Document Number 056153A0.005
Date: Tuesday, October 19, 1999	Rev A0
Sheet 5 of 7	

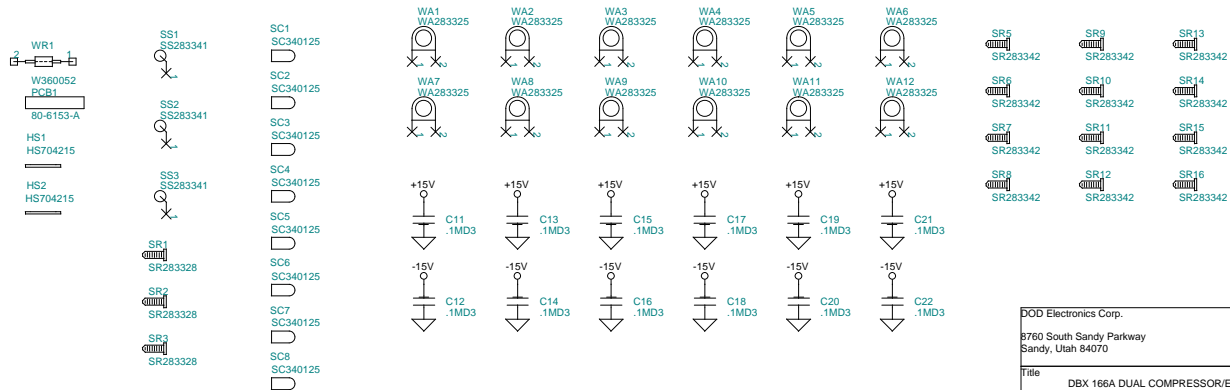
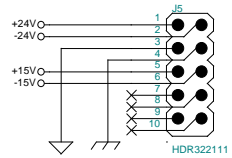
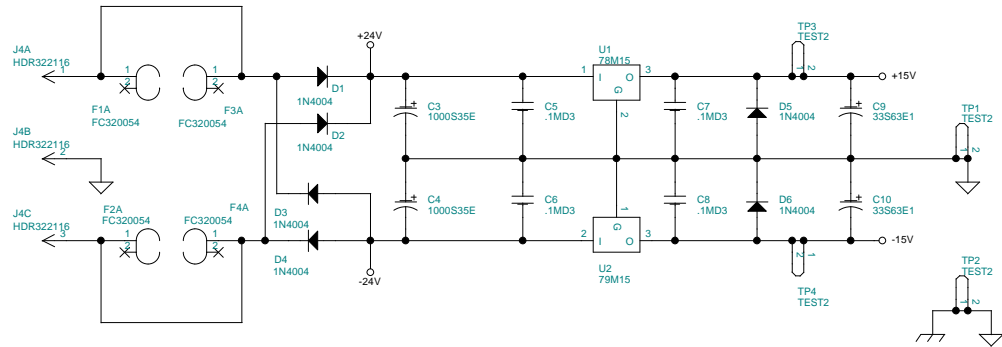
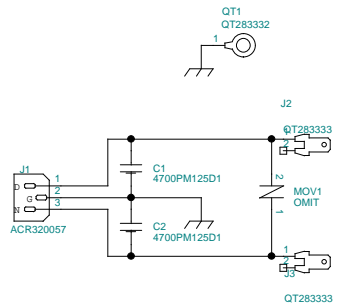
CHANNEL 1



CHANNEL 2



DOD Electronics Corp.	
8760 South Sandy Parkway Sandy, Utah 84070	
Title DBX 166A DUAL COMPRESSOR/EXPANDER	
Size B	Document Number 056153A0.006
Date: Tuesday, October 19, 1999	Sheet 6 of 7
	Rev A0



DOD Electronics Corp.	
8760 South Sandy Parkway Sandy, Utah 84070	
Title DBX 166A DUAL COMPRESSOR/EXPANDER	
Size B	Document Number 056153A0.007
Date: Tuesday, October 19, 1999	Sheet 7 of 7
	Rev A0

&amp;l0 (s0P (s15H (s8V (s0S &amp;l6D &amp;l66P &amp;l3E &amp;a7L &amp;a120M &amp;l61FDOD Software

Page 1

DBX 166A DUAL COMPRESSOR/EXPANDER

Revised: October 1, 1994

056153A0.001

Revision: A0

Bill Of Materials

May 9, 2000

11:13:11

Quan Reference Part SYMAN Description

Quan	Reference	Part	SYMAN	Description
12	BK102,BK103,BK105,BK106, BK107,BK108,BK202,BK203, BK205,BK206,BK207,BK208	BK143637	14-3637-A	PLTMT, BRKT, Switch MTG
2	C1,C2	4700PM125D		
2	C3,C4	1000S35E	60-0063	1000 uF Cap 35V -20/+80% Elect
20	C5,C6,C7,C8,C11,C12,C13, C14,C15,C16,C17,C18,C19, C20,C21,C22,C106,C114, C206,C214	.1MD3	62-0060	.1 uF Cap 50V 20% Ceramic AXL
2	C9,C10	33S63E1	60-0324	33 uF Cap 63V Alum, Rad
12	C100,C101,C102,C103,C108, C109,C200,C201,C202,C203, C208,C209	1000PJ100D		
2	C104,C204	22NPS25E1		
2	C105,C205	47PJ100D1		
2	C107,C207	10PJ100D1		
6	C110,C119,C120,C210,C219, C220	2.2S63E1	60-0323	2.2 uF Cap 63V Alum Rad T&R
4	C111,C116,C211,C216	.39J50F1	56-4010	.39 uF Cap 50V 5% M/Plyes Rad Stkd Film T&R
4	C112,C121,C212,C221	.047J63F1	56-3102	.047 uF Cap 63V 5% M/Plyes Rad T&R
2	C113,C213	1S63E1	60-0316	1 uF Cap 63V -20/+100% Alum Rad T&R
2	C115,C215	.15J50F1	56-4012	.15 uF Cap 50V 5% M/Plyes Rad Stkd Film T&R
2	C117,C217	.0047J63VF		
2	C118,C218	.22J50F1	56-4013	.22 uF Cap 50V 5% M/Plyes Rad Film
6	D1,D2,D3,D4,D5,D6	1N4004	70-0009	1N4004 Rect 1A 400V
30	D100,D101,D102,D105,D108, D109,D114,D115,D116,D118, D119,D120,D121,D200,D201, D202,D205,D208,D209,D214, D215,D216,D218,D219,D220, D221,D236,D237,D238,D239	1N4148	70-0002	1N4148 Diode Silicon Switching, 75 Volts PIV
10	D103,D117,D123,D124,D135, D203,D217,D223,D224,D235	LEDR702082	70-2082	Red Light Emitting Diode, Tl Encap, w/housing
4	D104,D106,D204,D206	LEDG702093	70-2093	Green Light Emitting Diode, Tl
2	D107,D207	LEDR702084	70-2084	Red Light Emitting Diode, Tl Encap, 10 pos
2	D110,D210	LED702085	70-2085	R/Y/G Light Emitting Diode, Tl, LMX, 3 pos
2	D113,D213	1N5223	70-0041	1N5223 Diode Zener Glass, 1/2W, 50V, 10%
2	D122,D222	LEDG702083	70-2083	Green Light Emitting Diode, Tl Encap, w/housing
4	F1,F2,F3,F4	FC320054	32-0054	Fuse Clip, PC Mount
2	HS1,HS2	HS704215	70-4215	Heatsink, PCB Mount, Vert., for TO-220
1	J1	ACR320057	32-0057	AC Power Receptical, IEC, Non filtered
2	J2,J3	QT283333	28-3333	Quick-tab, Terminal, PC Mount, 2 Pin
1	J4	HDR322116	32-2116	3 Pin Hdr, Straight, .23", 0.1" spacing
1	J5	HDR322111	32-2111	10 Pin Hdr, 5X2, Straight, .23", 0.1" spacing
6	J100,J102,J103,J200,J202, J203	J322110	32-2110	Jack, 1/4" Phone, PC Mount, Hor., Cliff S2
2	J101,J201	J322115	32-2115	XLR, Female PC Mount, Ins, R/A
2	J104,J204	J322114	32-2114	XLR, Male PC Mount, Ins, R/A
2	J105,J205	RC322117	32-2117	16 Pin Ribbon Cable, Flat, w/2 ends, 5.00", 0.1" spacing
5	MOV1,VR100,R188,VR200, R295	OMIT	00-0000	This part has been omitted
2	P105,P205	PA8X2	00-0000	8X2 Pin Pad Pattern, Not a part

DOD Software

Page

DBX 166A DUAL COMPRESSOR/EXPANDER

Revised: October 1, 1994

056153A0.001

Revision: A0

Bill Of Materials

May 9, 2000

11:13:11



Quan	Reference	Part	SYMAN	Description
1	PCB1	80-6153-A	80-6153-A	dbx 166 MAIN/DISPLAY PCB, RAW
4	Q100,Q101,Q200,Q201	2N4402	70-1035	2N4402 PNP, TR SIGNAL
2	Q103,Q203	2N4400	70-1041	2N4400 NPN, TR SIGNAL
1	QT1	QT283332	28-3332	Quick-tab, Terminal, Crimp, Ring, Ins, 6R
14	R1,R2,R3,R4,R5,R6,R105, R114,R116,R177,R205,R214, R216,R277	2.00K 1% M	52-1624	2.00 KOhm Resistor 1% 1/8 Watt Carbon Film Mini
1	R7	3.01K 1% M	52-1625	3.01 KOhm Resistor 1% 1/8 Watt Carbon Film Mini
9	R8,R9,R10,R148,R155,R183, R248,R255,R283	4.99K 1% M	52-1616	4.99 KOhm Resistor 1% 1/8 Watt Carbon Film Mini
3	R11,R186,R286	100K 1% M	52-1635	100 KOhm Resistor 1% 1/8 Watt Carbon Film Mini
10	R100,R102,R117,R118,R143, R200,R202,R217,R218,R243	49.9K 1% M	52-1620	49.9 KOhm Resistor 1% 1/8 Watt Carbon Film Mini
4	R101,R103,R201,R203	33.2K 1% M	52-1650	33.2 KOhm Resistor 1% 1/8 Watt Carbon Film Mini
2	R104,R204	200 1% M	52-1618	200 Ohm Resistor 1% 1/8 Watt Carbon Film Mini
2	R106,R206	5.1K M	50-0409	5.1 KOhm Resistor 5% 1/8 Watt Carbon Film Mini
10	R107,R111,R124,R161,R166, R207,R211,R224,R261,R266	20.0K 1% M	52-1630	20.0 KOhm Resistor 1% 1/8 Watt Carbon Film Mini
4	R108,R160,R208,R260	523K 1% M	52-1610	523 KOhm Resistor 1% 1/8 Watt Carbon Film Mini
2	R109,R209	47 M	50-0406	47 Ohm Resistor 5% 1/8 Watt Carbon Film Mini
2	R110,R210	150K M	50-0402	150 KOhm Resistor 5% 1/8 Watt Carbon Film Mini
6	R112,R137,R173,R212,R237, R273	5.76K 1% M	52-1617	5.76 KOhm Resistor 1% 1/8 Watt Carbon Film Mini
6	R113,R156,R213,R256,R288, R297	100 1% M	52-1639	100 Ohm Resistor 1% 1/8 Watt Carbon Film Mini
2	R115,R215	1.62K 1% M	52-1642	1.62 KOhm Resistor 1% 1/8 Watt Carbon Film Mini
6	R119,R175,R180,R219,R275, R280	7.50K 1% M	52-1649	7.50 KOhm Resistor 1% 1/8 Watt Carbon Film Mini
2	R120,R220	4.32K 1% M	52-1646	4.32 KOhm Resistor 1% 1/8 Watt Carbon Film Mini
8	R121,R145,R149,R178,R221, R245,R249,R278	1.5M M	50-0404	1.5 MOhm Resistor 5% 1/8 Watt Carbon Film Mini
2	R122,R222	1.00K 1% M	52-1623	1.00 KOhm Resistor 1% 1/8 Watt Carbon Film Mini
14	R123,R154,R171,R187,R191, R193,R194,R223,R254,R271, R287,R291,R293,R294	3.0K M	50-0405	3.0 KOhm Resistor 5% 1/8 Watt Carbon Film Mini
25	R125,R126,R136,R151,R153, R159,R162,R164,R165,R168, R185,R190,R225,R226,R236, R251,R253,R259,R262,R264, R265,R268,R285,R290,R296	10.0K 1% M	52-1627	10.0 KOhm Resistor 1% 1/8 Watt Carbon Film Mini
2	R127,R227	6.04K 1% M	52-1647	6.04 KOhm Resistor 1% 1/8 Watt Carbon Film Mini
4	R128,R135,R228,R235	60.4 1% M	52-1638	60.4 Ohm Resistor 1% 1/8 Watt Carbon Film Mini
2	R129,R229	2.67K 1% M	52-1645	2.67 KOhm Resistor 1% 1/8 Watt Carbon Film Mini
4	R130,R134,R230,R234	4.53K 1% M	52-1604	4.53 KOhm Resistor 1% 1/8 Watt Carbon Film Mini
4	R131,R132,R231,R232	3.16K 1% M	52-1601	3.16 KOhm Resistor 1% 1/8 Watt Carbon Film Mini
2	R133,R233	3.24K 1% M	52-1603	3.24 KOhm Resistor 1% 1/8 Watt Carbon Film Mini
4	R138,R142,R238,R242	24.9K 1% M	52-1631	24.9 KOhm Resistor 1% 1/8 Watt Carbon Film Mini
2	R139,R239	16.9K 1% M	52-1619	16.9 KOhm Resistor 1% 1/8 Watt Carbon Film Mini
2	R140,R240	22M D	50-2442	22 MOhm Resistor 5% 1/4 Watt Carbon Film DBX
2	R141,R241	20 M	50-0400	20 Ohm Resistor 5% 1/8 Watt Carbon Film Mini
2	R144,R244	560K M	50-0485	560 KOhm Resistor 5% 1/8 Watt Carbon Film Mini
2	R146,R246	499 1% M	52-1641	499 Ohm Resistor 1% 1/8 Watt Carbon Film Mini

DOD Software

DBX 166A DUAL COMPRESSOR/EXPANDER

056153A0.001

Bill Of Materials

Quan Reference

May 9, 2000  
Part SYMAN

Revised: October 1, 1994

Revision: A0

11:13:11

Description

Page

2	R147,R247	10M D	50-0417	10 MOhm Resistor 5% 1/8 Watt Carbon Film Mini
2	R150,R250	412K 1% M	52-1636	412 KOhm Resistor 1% 1/8 Watt Carbon Film Mini

## 056153a0.pls

4	R152,R158,R252,R258	280K 1% M	52-1652	280	KOhm Resistor	1%	1/8	Watt	Carbon Film Mini
2	R157,R257	1.74K 1% M	52-1643	1.74	KOhm Resistor	1%	1/8	Watt	Carbon Film Mini
4	R163,R167,R263,R267	39.2K 1% M	52-1634	39.2	KOhm Resistor	1%	1/8	Watt	Carbon Film Mini
2	R169,R269	1M M	50-0403	1	MOhm Resistor	5%	1/8	Watt	Carbon Film Mini
2	R170,R270	200K 1% M	52-1651	200	KOhm Resistor	1%	1/8	Watt	Carbon Film Mini
2	R172,R272	7.15K 1% M	52-1626	7.15	KOhm Resistor	1%	1/8	Watt	Carbon Film Mini
2	R174,R274	2.49K 1% M	52-1644	2.49	KOhm Resistor	1%	1/8	Watt	Carbon Film Mini
2	R176,R276	174 1% M	52-1640	174	Ohm Resistor	1%	1/8	Watt	Carbon Film Mini
2	R179,R279	6.34K 1% M	52-1648	6.34	KOhm Resistor	1%	1/8	Watt	Carbon Film Mini
4	R181,R182,R281,R282	124K 1% M	52-1621	124	KOhm Resistor	1%	1/8	Watt	Carbon Film Mini
2	R184,R284	210 1% M	52-1622	210	Ohm Resistor	1%	1/8	Watt	Carbon Film Mini
2	R192,R292	560 M	50-0401	560	Ohm Resistor	5%	1/8	Watt	Carbon Film Mini
5	S100,S101,S103,S200,S201	SW440026	44-0026	4PDT	I/O Switch (small),	PC Mount			
2	S102,S202	SW440027	44-0027	DPDT	I/O Switch (mini),	PC Mount			
1	S204	SW440022	44-0022	6PDT	I/O Switch (mini),	PC Mount			
8	SC1,SC2,SC3,SC4,SC5,SC6,SC7,SC8	SC340125	34-0125		Switch Cap,	Black			
3	SR1,SR2,SR3	SR283328	28-3328		Screw, MS, PHL, IN SE ST, Z2, 4-40X1/4				
12	SR5,SR6,SR7,SR8,SR9,SR10,SR11,SR12,SR13,SR14,SR15,SR16	SR283342	28-3342		Nut, HEX, CNT, STL, Z2, 7x.75mm				
3	SS1,SS2,SS3	SS283341	28-3341		Swege Standoff, Hex, x 1.200" H 4-40, DBX				
12	TP1,TP2,TP3,TP4,TP100,TP101,TP102,TP103,TP200,TP201,TP202,TP203	TEST2	36-0095		2 Pin Test Point For DBX				
1	U1	78M15	70-4130	7815	+15 Volt	Voltage Regulator			
1	U2	79M15	70-4131	7915	-15 Volt	Voltage Regulator			
2	U3,U4	CA3046D	72-4321	CA3046	Matched Transister Pairs	BPO			
4	U100,U103,U200,U203	5532D	72-4316	5532	Low Noise Dual Op-Amp				
2	U101,U201	UPC1252	72-4262	UPC1252HA2,	VCA THAT (OBS)				
6	U102,U106,U107,U202,U206,U207	TL074D	72-4320	TL074	Quad JFet-Input Op-Amp				
8	U104,U108,U109,U110,U204,U208,U209,U210	LM339D	72-4306	LM339	Quad Comparator				
2	U105,U205	UPC1253	72-4261	UPC1253HA2	RMS				
4	VR101,VR104,VR201,VR204	TP50K H	42-0222	50	K Trim Pot, Vertical	Mount, 3/4 turn			
2	VR102,VR202	10K402085	40-2085	10	K "B" 16mm, Rot Pot,	25mm D Shaft			
8	VR103,VR105,VR106,VR107,VR203,VR205,VR206,VR207	20K402086	40-2086	20	K "B" 16mm, Rot Pot,	25mm D Shaft horiz mt.			
2	VR108,VR208	1M402087	40-2087	1	M "?"	Rot Pot, 25MM D Shaft			
12	WA1,WA2,WA3,WA4,WA5,WA6,WA7,WA8,WA9,WA10,WA11,WA12	WA283325	28-3325		Washer, Flat, STL, Z2, M7				
6	WA100,WA102,WA103,WA200,WA202,WA203	WA283345	28-3345		Washer, Ground				
1	WR1	W360052	36-0052		Wire, 2 End, 4.00", Grn/Yel UN1015-18				