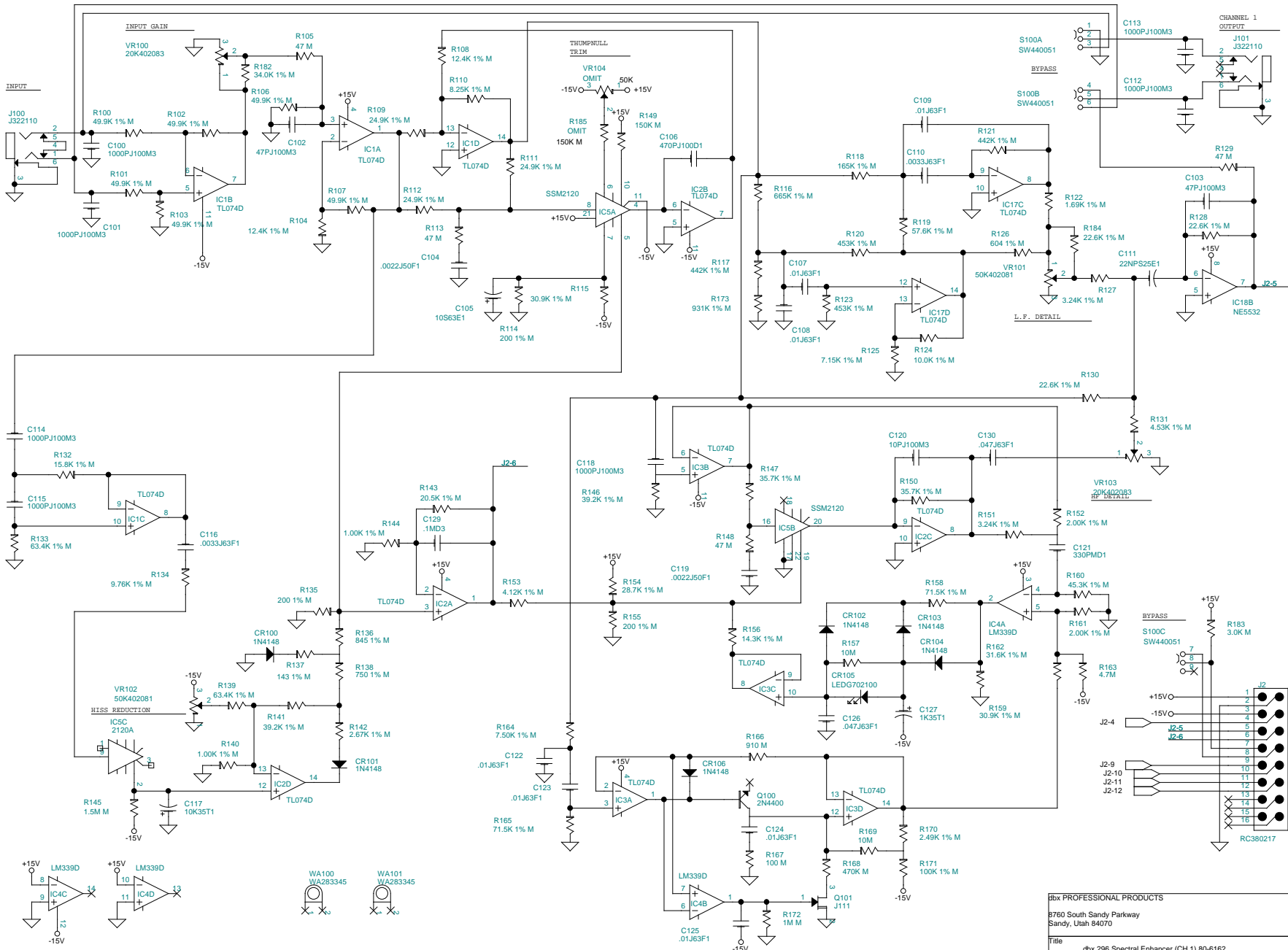
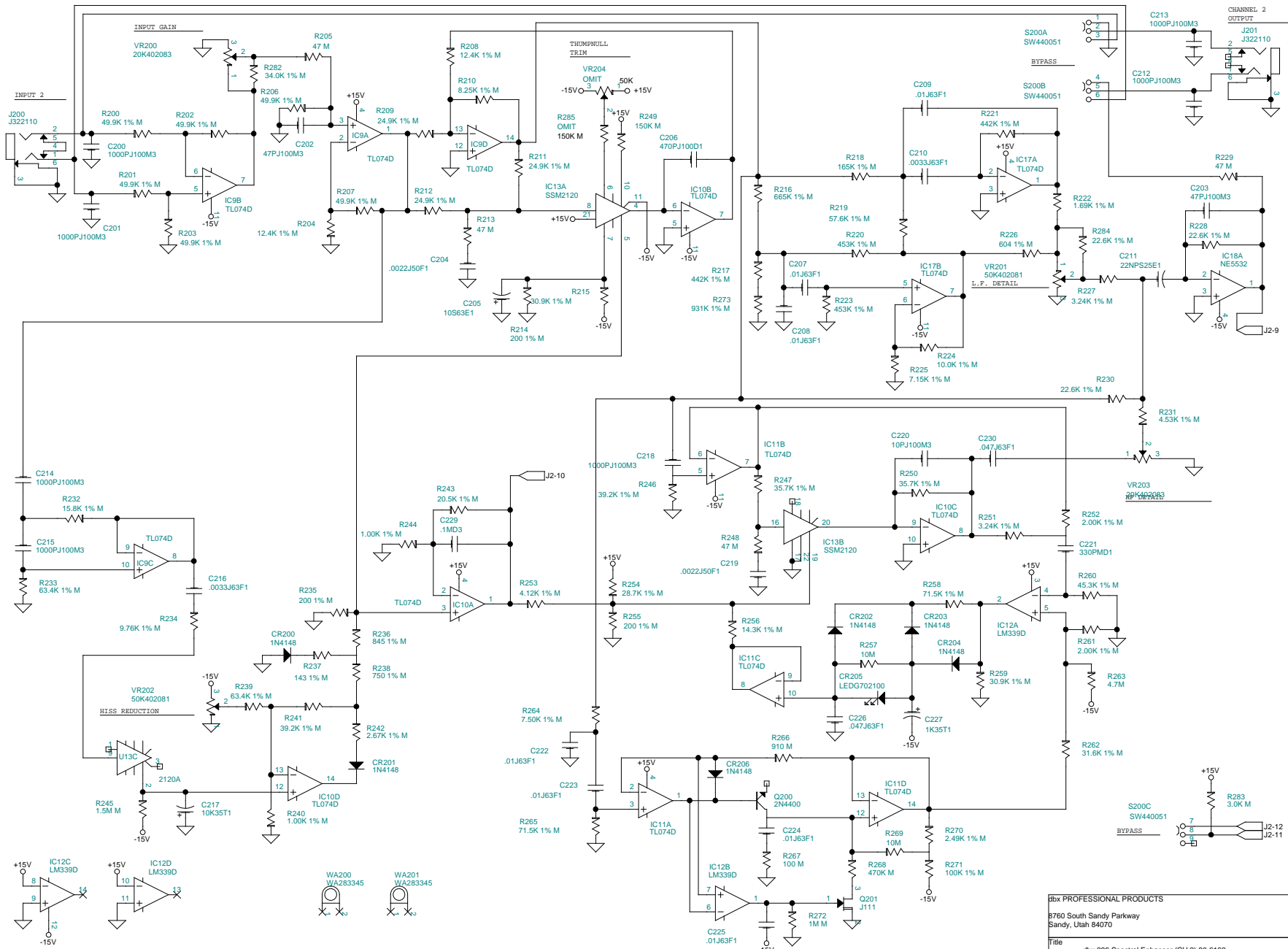


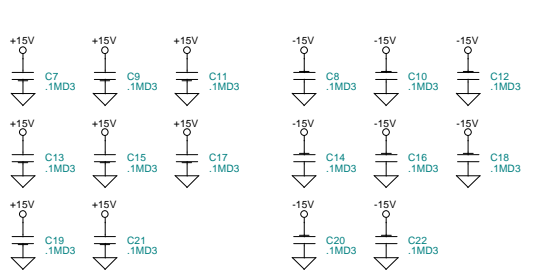
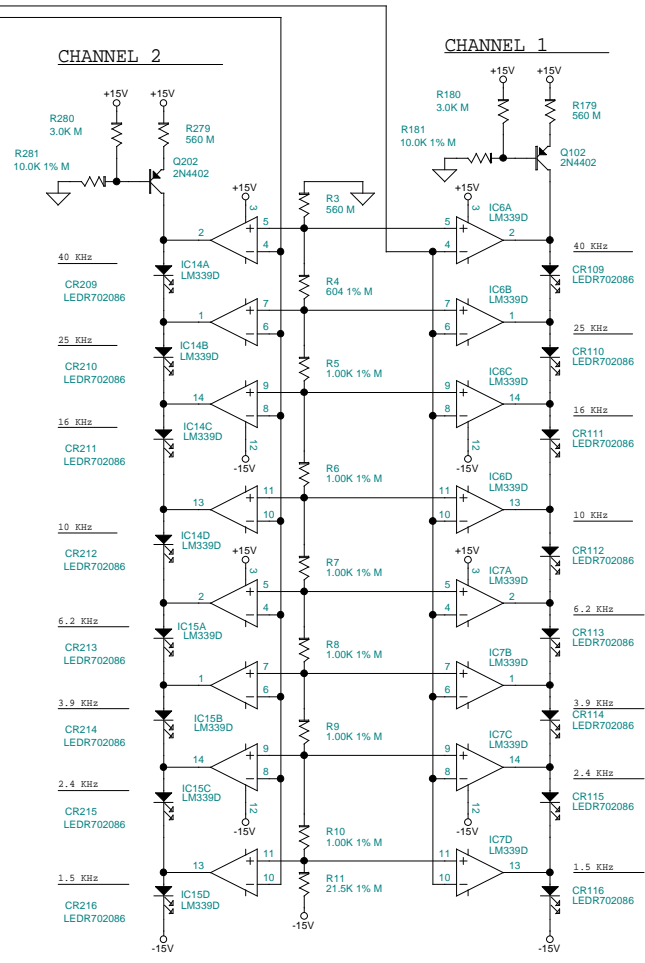
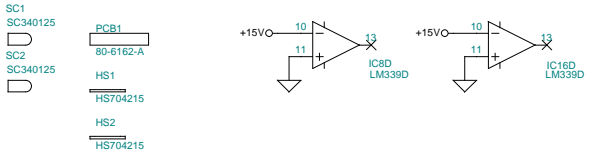
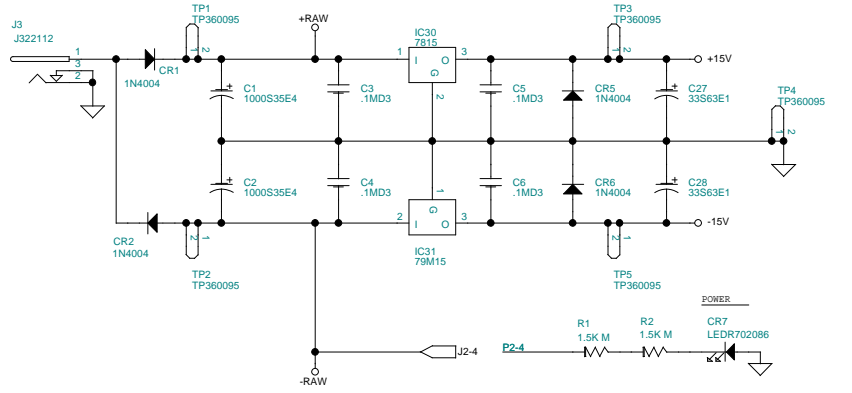
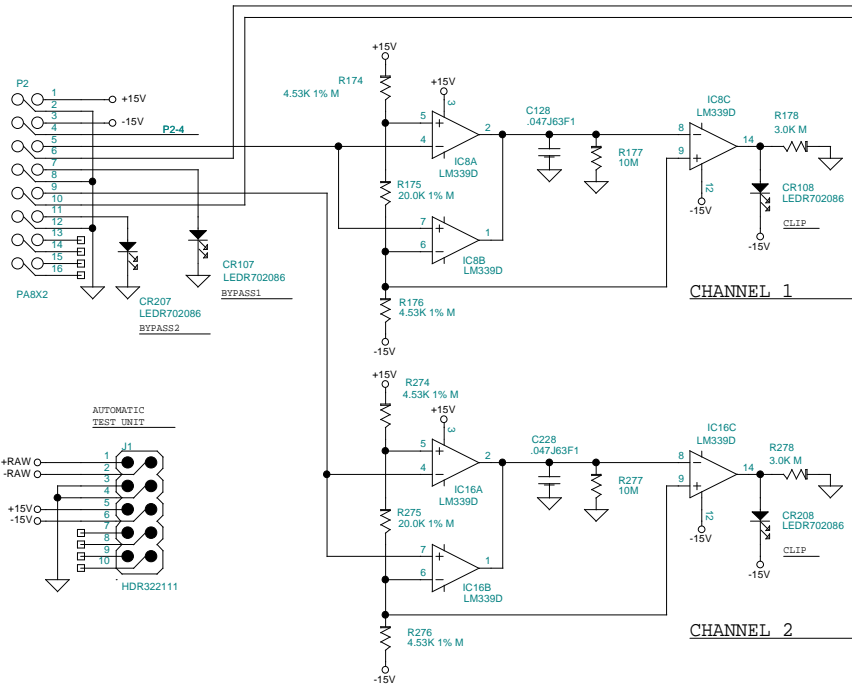
CHANNEL 1



dbx PROFESSIONAL PRODUCTS	
8760 South Sandy Parkway Sandy, Utah 84070	
Title dbx 296 Spectral Enhancer (CH 1) 80-6162	
Size B	Document Number 056162A4.001
Date: Tuesday, October 26, 1999	Sheet 1 of 3
	Rev A4



dbx PROFESSIONAL PRODUCTS	
8760 South Sandy Parkway Sandy, Utah 84070	
Title dbx 296 Spectral Enhancer (CH 2) 80-6162	
Size B	Document Number 056162A4.002
Date:	Tuesday, October 26, 1999
Sheet	2 of 3
Rev	A4



Title		DBX 296 Spectral Enhancer 80-6162	
Size	Document Number	Rev	
B	056162A4.003	A4	
Date:	Tuesday, October 26, 1999	Sheet	3 of 3

dbx 296 Spectral Enhancer 80-6162 Revised: April 1, 1997
 056162A4.000 Revision: A4
 Bill Of Materials April 1, 1997 13:56:54
 Quan Reference Part SYMAN Description

Quan	Reference	Part	SYMAN	Description
2	C1,C2	1000S35E4	60-0321	1000 uF Cap 35V -20/+100% Elect. Long Lead
22	C3,C4,C5,C6,C7,C8,C9,C10, C11,C12,C13,C14,C15,C16, C17,C18,C19,C20,C21,C22, C27,C28	.1MD3	62-0060	.1 uF Cap 50V 20% Ceramic AXL
2	C27,C28	33S63E1	60-0324	33 uF Cap 63V Alum, Rad
14	C100,C101,C112,C113,C114, C115,C118,C200,C201,C212, C213,C214,C215,C218	1000PJ100M	62-0061	1000 pF Cap 100V 5% Ceramic AXL, NPO
4	C102,C103,C202,C203	47PJ100M3	62-0064	47 pF Cap 100V 5% Ceramic AXL, NPO
4	C104,C119,C204,C219	.0022J50F1	56-5041	.0022 uF Cap 50V 5% Stacked Metal Pet 222 Ammo
2	C105,C205	10S63E1	60-0320	10 uF Cap 63V -20/+100% Alum, Rad
2	C106,C206	470PJ100D1	62-3085	470 pF Cap 100V 5% Ceramic Disc Ammo T&R
14	C107,C108,C109,C122,C123, C124,C125,C207,C208,C209, C222,C223,C224,C225	.01J63F1	56-5029	.01 uF Cap 63V 5% M/Plyes Rad T&R
4	C110,C116,C210,C216	.0033J63F1	56-5026	.0033 uF Cap 63V 5% M/Plyes Rad T&R
2	C111,C211	22NPS25E1	60-0322	22 uF Cap 25V -20/+20% Elect. NP
2	C117,C217	10K35T1	62-3099	10 uF Cap 35V 10% Tantalum T&R
2	C120,C220	10PJ100M3	62-0063	10 pF Cap 100V 5% Ceramic AXL, NPO
2	C121,C221	330PMD1	62-3084	330 pF Cap 100V 5% Axial, T&R
6	C126,C128,C130,C226,C228, C230	.047J63F1	56-3102	.047 uF Cap 63V 5% M/Plyes Rad T&R
2	C127,C227	1K35T1	62-3095	1 uF Cap 35V 10% Tantalum T&R
4	CR1,CR2,CR5,CR6	1N4004	70-0009	1N4004 Rect 1A 400V
21	CR7,CR107,CR108,CR109, CR110,CR111,CR112,CR113, CR114,CR115,CR116,CR207, CR208,CR209,CR210,CR211, CR212,CR213,CR214,CR215, CR216	LED702086	70-2086	Red Light Emitting Diode, T1, C/B0.1
12	CR100,CR101,CR102,CR103, CR104,CR106,CR200,CR201, CR202,CR203,CR204,CR206	1N4148	70-0002	1N4148 Diode Silicon Switching, 75 Volts PIV
2	CR105,CR205	LEDG702100	70-2100	Green Light Emitting Diode, T1 Case
2	HS1,HS2	HS704215	70-4215	Heatsink, PCB Mount, Vert., for TO-220
7	IC1,IC2,IC3,IC9,IC10, IC11,IC17	TL074D	72-4320	TL074 Quad JFet-Input Op-Amp
8	IC4,IC6,IC7,IC8,IC12, IC14,IC15,IC16	LM339D	72-4306	LM339 Quad Comparator
2	IC5,IC13	SSM2120	72-4250	Dual VCA/ Dual Detector
1	IC18	NE5532	72-4316	5532 Low Noise Dual Op-Amp
1	IC30	7815	70-4123	7815 -15 Volt Voltage Regulator
1	IC31	79M15	70-4131	79M15 -15 Volt Voltage Regulator
1	J1	HDR322111	32-2111	10 Pin Hdr, 5X2, Straight, .23", 0.1" spacing
1	J2	RC380217	38-0217	16 Pin Ribbon Cable, Flat w/2 ends, 3.00", 0.1" spacing
1	J3	J322112	32-2112	DC Socket, Hor. PC Mount, 2.5/5.5mm
4	J100,J101,J200,J201	J322110	32-2110	Jack, 1/4" Phone, PC Mount, Hor., Cliff S2
1	P2	PA8X2	00-0000	8X2 Pin Pad Pattern, Not a part
1	PCB1	80-6162-A	80-6162-A	dbx 296 MAIN/DISPLAY PCB, RAW

056162a4

2 Q100,Q200 2N4400 70-1041 2N4400 NPN, TR SIGNAL
 2 Q101,Q201 J111 70-1010 J111A JFET, N-Channel , RDS(on) <30 Ohm, VGS(off)
 DOD Software Page

dbx 296 Spectral Enhancer 80-6162 Revised: April 1, 1997

056162A4.000 Revision: A4

Bill Of Materials April 1, 1997 13:56:54

Quan Reference Part SYMAN Description

Quan	Reference	Part	SYMAN	Description
2	Q102,Q202	2N4402	70-1035	2N4402 PNP, TR SIGNAL
2	R1,R2	1.5K M	50-0448	1.5 KOhm Resistor 5% 1/8 Watt Carbon Film Mini
3	R3,R179,R279	560 M	50-0401	560 Ohm Resistor 5% 1/8 Watt Carbon Film Mini
3	R4,R126,R226	604 1% M	52-1655	604 Ohm Resistor 1% 1/8 Watt Metal Film Mini
10	R5,R6,R7,R8,R9,R10,R140, R144,R240,R244	1.00K 1% M	52-1623	1.00 KOhm Resistor 1% 1/8 Watt Carbon Film Mini
1	R11	21.5K 1% M	52-1257	21.5 KOhm Resistor 1% 1/8 Watt Metal Film Mini
12	R100,R101,R102,R103,R106, R107,R200,R201,R202,R203, R206,R207	49.9K 1% M	52-1620	49.9 KOhm Resistor 1% 1/8 Watt Carbon Film Mini
4	R104,R108,R204,R208	12.4K 1% M	52-1605	12.4 KOhm Resistor 1% 1/8 Watt Metal Film Mini
8	R105,R113,R129,R148,R205, R213,R229,R248	47 M	50-0406	47 Ohm Resistor 5% 1/8 Watt Carbon Film Mini
6	R109,R111,R112,R209,R211, R212	24.9K 1% M	52-1631	24.9 KOhm Resistor 1% 1/8 Watt Carbon Film Mini
2	R110,R210	8.25K 1% M	52-1662	8.25 KOhm Resistor 1% 1/8 Watt Metal Film Mini
6	R114,R135,R155,R214,R235, R255	200 1% M	52-1618	200 Ohm Resistor 1% 1/8 Watt Carbon Film Mini
4	R115,R159,R215,R259	30.9K 1% M	52-1275	30.9 KOhm Resistor 1% 1/8 Watt Metal Film Mini
2	R116,R216	665K 1% M	52-1673	665 KOhm Resistor 1% 1/8 Watt Metal Film Mini
4	R117,R121,R217,R221	442K 1% M	52-1760	442 KOhm Resistor 1% 1/8 Watt Metal Film Mini
2	R118,R218	165K 1% M	52-1723	165 KOhm Resistor 1% 1/8 Watt Metal Film Mini
2	R119,R219	57.6K 1% M	52-1682	57.6 KOhm Resistor 1% 1/8 Watt Metal Film Mini
4	R120,R123,R220,R223	453K 1% M	52-1609	453 KOhm Resistor 1% 1/8 Watt Metal Film Mini
2	R122,R222	1.69K 1% M	52-1124	1.69 KOhm Resistor 1% 1/8 Watt Metal Film Mini
4	R124,R181,R224,R281	10.0K 1% M	52-1627	10.0 KOhm Resistor 1% 1/8 Watt Carbon Film Mini
2	R125,R225	7.15K 1% M	52-1626	7.15 KOhm Resistor 1% 1/8 Watt Carbon Film Mini
4	R127,R151,R227,R251	3.24K 1% M	52-1603	3.24 KOhm Resistor 1% 1/8 Watt Carbon Film Mini
6	R128,R130,R184,R228,R230, R284	22.6K 1% M	52-1261	22.6 KOhm Resistor 1% 1/8 Watt Metal Film Mini
6	R131,R174,R176,R231,R274, R276	4.53K 1% M	52-1604	4.53 KOhm Resistor 1% 1/8 Watt Carbon Film Mini
2	R132,R232	15.8K 1% M	52-1243	15.8 KOhm Resistor 1% 1/8 Watt Metal Film Mini
4	R133,R139,R233,R239	63.4K 1% M	52-1607	63.4 KOhm Resistor 1% 1/8 Watt Metal Film Mini
2	R134,R234	9.76K 1% M	52-1217	9.76 KOhm Resistor 1% 1/8 Watt Metal Film Mini
2	R136,R236	845 1% M	52-1095	845 Ohm Resistor 1% 1/8 Watt Metal Film Mini
2	R137,R237	143 1% M	52-1060	143 Ohm Resistor 1% 1/8 Watt Metal Film Mini
2	R138,R238	750 1% M	52-1656	750 Ohm Resistor 1% 1/8 Watt Metal Film Mini
4	R141,R146,R241,R246	39.2K 1% M	52-1634	39.2 KOhm Resistor 1% 1/8 Watt Carbon Film Mini
2	R142,R242	2.67K 1% M	52-1645	2.67 KOhm Resistor 1% 1/8 Watt Carbon Film Mini
2	R143,R243	20.5K 1% M	52-1255	20.5 KOhm Resistor 1% 1/8 Watt Metal Film Mini
2	R145,R245	1.5M M	50-0404	1.5 MOhm Resistor 5% 1/8 Watt Carbon Film Mini
4	R147,R150,R247,R250	35.7K 1% M	52-1606	35.7 KOhm Resistor 1% 1/8 Watt Metal Film Mini
2	R149,R249	150K M	50-0402	150 KOhm Resistor 5% 1/8 Watt Carbon Film Mini
4	R152,R161,R252,R261	2.00K 1% M	52-1624	2.00 KOhm Resistor 1% 1/8 Watt Carbon Film Mini
2	R153,R253	4.12K 1% M	52-1661	4.12 KOhm Resistor 1% 1/8 Watt Metal Film Mini
2	R154,R254	28.7K 1% M	52-1271	28.7 KOhm Resistor 1% 1/8 Watt Metal Film Mini
2	R156,R256	14.3K 1% M	52-1663	14.3 KOhm Resistor 1% 1/8 Watt Metal Film Mini
6	R157,R169,R177,R257,R269, 10M	10M	50-0060	10M MOhm Resistor 5% 1/4 Watt Carbon Film

056162a4

R277

4	R158,R165,R258,R265	71.5K 1% M	52-1608	71.5 KOhm Resistor	1%	1/8	Watt Metal Film Mini
2	R160,R260	45.3K 1% M	52-1294	45.3 KOhm Resistor	1%	1/8	Watt Metal Film Mini

DOD Software

dbx 296 Spectral Enhancer 80-6162 Revised: April 1, 1997
 056162A4.000 Revision: A4

Page

Bill Of Materials April 1, 1997 13:56:54
 Quan Reference Part SYMAN Description

2	R162,R262	31.6K 1% M	52-1500	31.6 KOhm Resistor	1%	1/8	Watt Metal Film Mini
2	R163,R263	4.7M	50-0291	4.7 MOhm Resistor	5%	1/4	Watt Carbon Film
2	R164,R264	7.50K 1% M	52-1649	7.50 KOhm Resistor	1%	1/8	Watt Carbon Film Mini
2	R166,R266	910 M	50-0444	910 Ohm Resistor	5%	1/8	Watt Carbon Film Mini
2	R167,R267	100 M	50-0431	100 Ohm Resistor	5%	1/8	Watt Carbon Film Mini
2	R168,R268	470K M	50-0482	470 KOhm Resistor	5%	1/4	Watt Carbon Film Mini
2	R170,R270	2.49K 1% M	52-1644	2.49 KOhm Resistor	1%	1/8	Watt Carbon Film Mini
2	R171,R271	100K 1% M	52-1635	100 KOhm Resistor	1%	1/8	Watt Carbon Film Mini
2	R172,R272	1M M	50-0403	1 MOhm Resistor	5%	1/8	Watt Carbon Film Mini
2	R173,R273	931K 1% M	52-1782	931 KOhm Resistor	1%	1/8	Watt Metal Film Mini
2	R175,R275	20.0K 1% M	52-1630	20.0 KOhm Resistor	1%	1/8	Watt Carbon Film Mini
6	R178,R180,R183,R278,R280, R283	3.0K M	50-0405	3.0 KOhm Resistor	5%	1/8	Watt Carbon Film Mini
2	R182,R282	34.0K 1% M	52-1281	34.0 KOhm Resistor	1%	1/8	Watt Metal Film Mini
2	S1,S2	DIP20S	70-3018	20 Pin Dip Socket			
2	S100,S200	SW440051	44-0051	Mini In/Out 4PDT Switch (12 Pin) E-Switch			
1	S200	SW440053	44-0053	DPDT I/O, Switch, 3-Gang (18 Pin)			
2	SC1,SC2	SC340125	34-0125	Switch Cap, Black			
5	TP1,TP2,TP3,TP4,TP5	TP360095	36-0095	2 Pin Test Point For DBX			
4	VR100,VR103,VR200,VR203	20K402083	40-2083	20 K "A" 16mm, Rot Pot,			15mm D shaft horiz mt.
4	VR101,VR102,VR201,VR202	50K402081	40-2081	50 K "B" 16mm, Rot Pot,			15mm D shaft horiz mt.
4	VR104,R185,VR204,R285	OMIT	00-0000	This part has been omitted			
4	WA100,WA101,WA200,WA201	WA283345	28-3345	Washer, Ground			