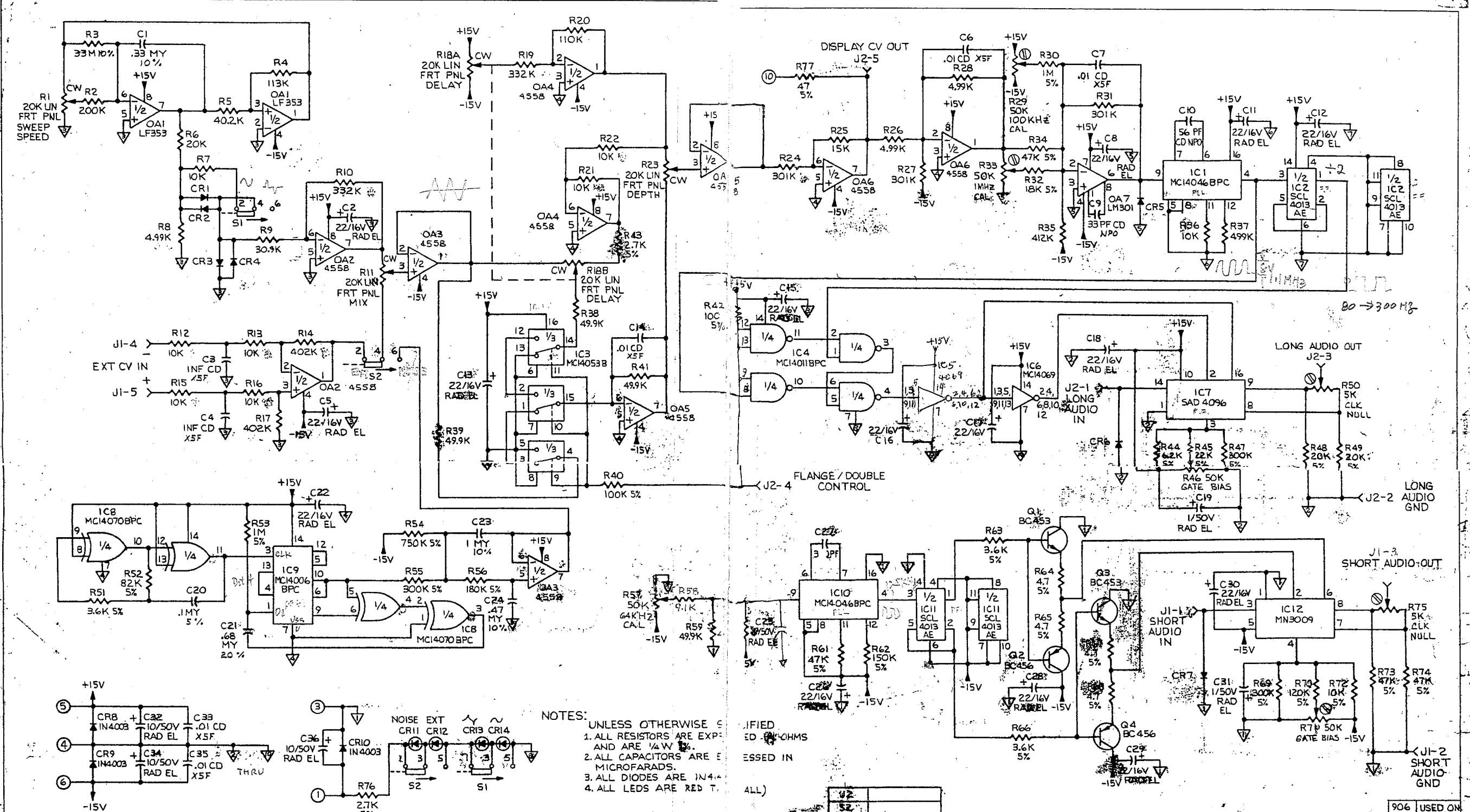


REFERENCE DESIGNATIONS	NOT USED
J6	J1, J2
CR11	
Q7	
Q8	
OA14	
C17	
R130	
LAST	NOT USED

- NOTES:
- UNLESS OTHERWISE SPECIFIED:
 - ALL RESISTORS ARE EXPRESSED IN OHMS AND ARE 1/4W 5%.
 - ALL CAPACITORS ARE EXPRESSED IN MICROFARADS.
 - ALL DIODES ARE 1A0073.
 - R47, R82, R18, C8, C20, C33 SELECT PER 164001.
 - OA1, OA4, OA7 SELECT PER 160024.
 - OA2, OA5, OA8 SELECT PER 160023.
 - OA1, OA2 ARE RC4558P.
 - OA3, OA4, OA5 ARE LM338N.
 - OA6 - OA14 ARE LF353N.
 - * INDICATES HEATSINK ON DEVICE
 - ⊙ INDICATES TRIM POT

UNLESS OTHERWISE SPECIFIED ALL DIMENSIONS ARE IN INCHES AND DECIMAL FRACTIONS UNLESS OTHERWISE SPECIFIED		APPROVAL DATE	dbx	Newton, Ma
TOLERANCE ON DIMENSIONS	3X ± .015	DATE	1/2/81	
TOLERANCE ON HOLE LOCATIONS	100 ± .015	DESIGNED BY	CRG	
TOLERANCE ON HOLE LOCATIONS	100 ± .015	CHECKED BY		
ANGLES	± 1/2°	DATE	1/2/81	
		SCALE	1:1	
		ISS. NUMBER	E	340366
		REV		



NOTES:
 1. ALL RESISTORS ARE EXP...
 2. ALL CAPACITORS ARE E...
 3. ALL DIODES ARE IN4...
 4. ALL LEDS ARE RED T...

UNLESS OTHERWISE S...
 ED OHMS
 ESSED IN
 ALL)

U2	
U3	
IC12	
OA1	
CR1	
C36	
R72	
LAST USED	
REF DESIGNATIONS	

REVISIONS		UNLESS OTHERWISE SPECIFIED ALL DIMENSIONS ARE IN INCHES AND/OR MILLIMETERS (mm)		APPROVAL DATE	
DATE	DESCRIPTION	TOLERANCE ON INCHES	XXX ± .005	DRAWN	PV 1/2/81
		TOLERANCE ON MILLIMETERS (mm)	(XXX ± .38 (mm)) (XXX ± .15 (mm))	CHECKED	7/1/81
		ANGLES	FRACTIONS ± 1/32	DESIGNED	9/21/81
		APPROVED FOR PRODUCTION TOOLING		DATE	12/2/81
		APPROVED		RELEASED	1/1/82
				SCALE	1 of 1
				SIZE NUMBER	D 34.0430.00

906 USED ON
 dbx inc. Newton, Ma.
 SCHEMATIC
 DIGITAL BOARD
 FLANGER +