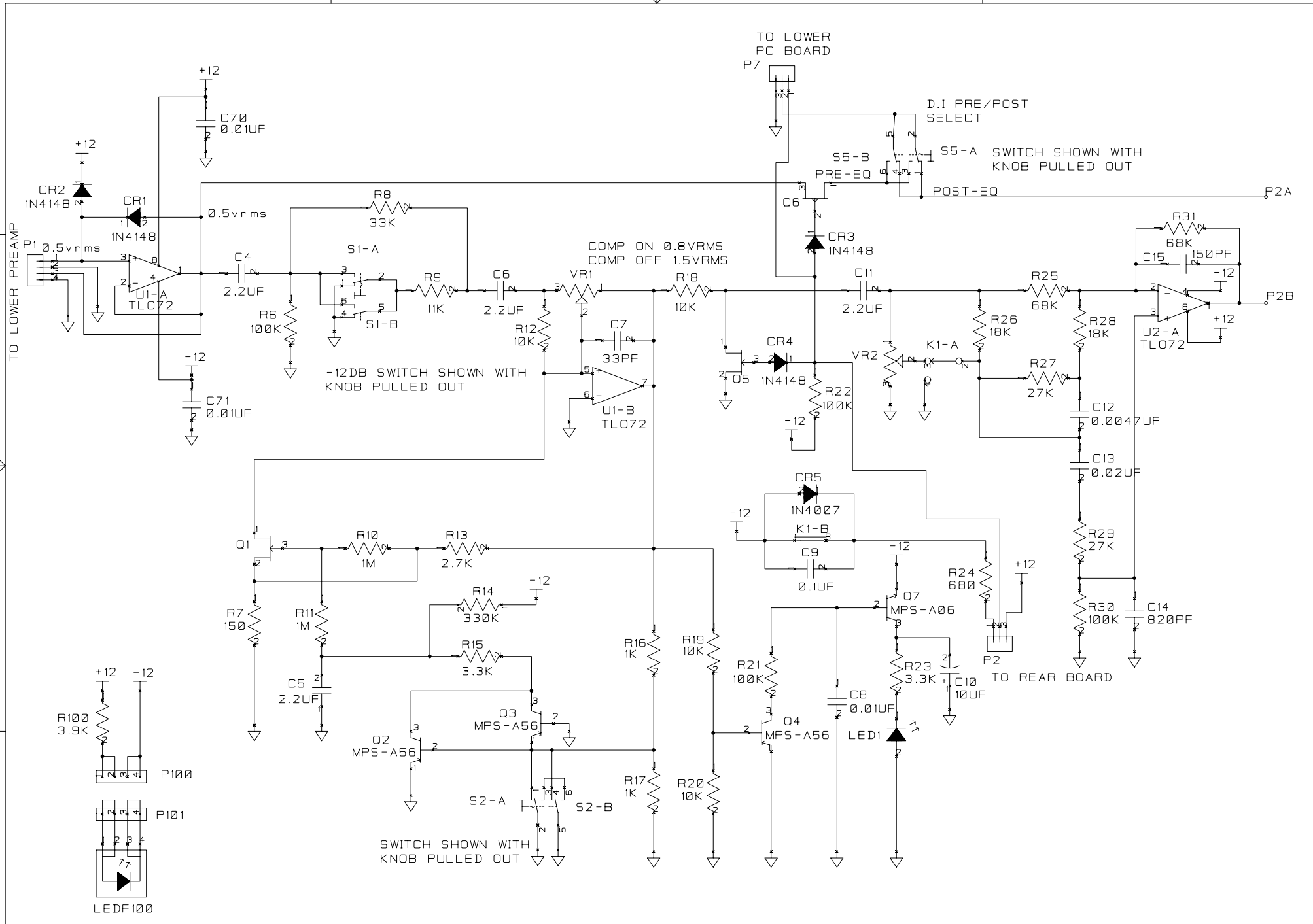


CONTRACT NO.		COMPANY NAME			
		Eden Div. of US Music			
APPROVALS	DATE	DWG	WTX-260 Lower		
DRAWN		SIZE	FSCM NO.	DWG NO.	REV
CHECKED				WTX-260	
ISSUED		SCALE			SHEET of 1



TO LOWER PREAMP

TO LOWER PC BOARD
P7

D.I. PRE/POST SELECT

S5-B PRE-EQ
S5-A SWITCH SHOWN WITH KNOB PULLED OUT
POST-EQ

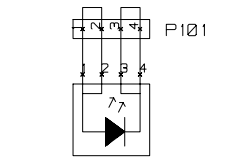
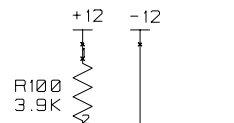
P2A

COMP ON 0.8VRMS
COMP OFF 1.5VRMS

-12DB SWITCH SHOWN WITH KNOB PULLED OUT

TO REAR BOARD

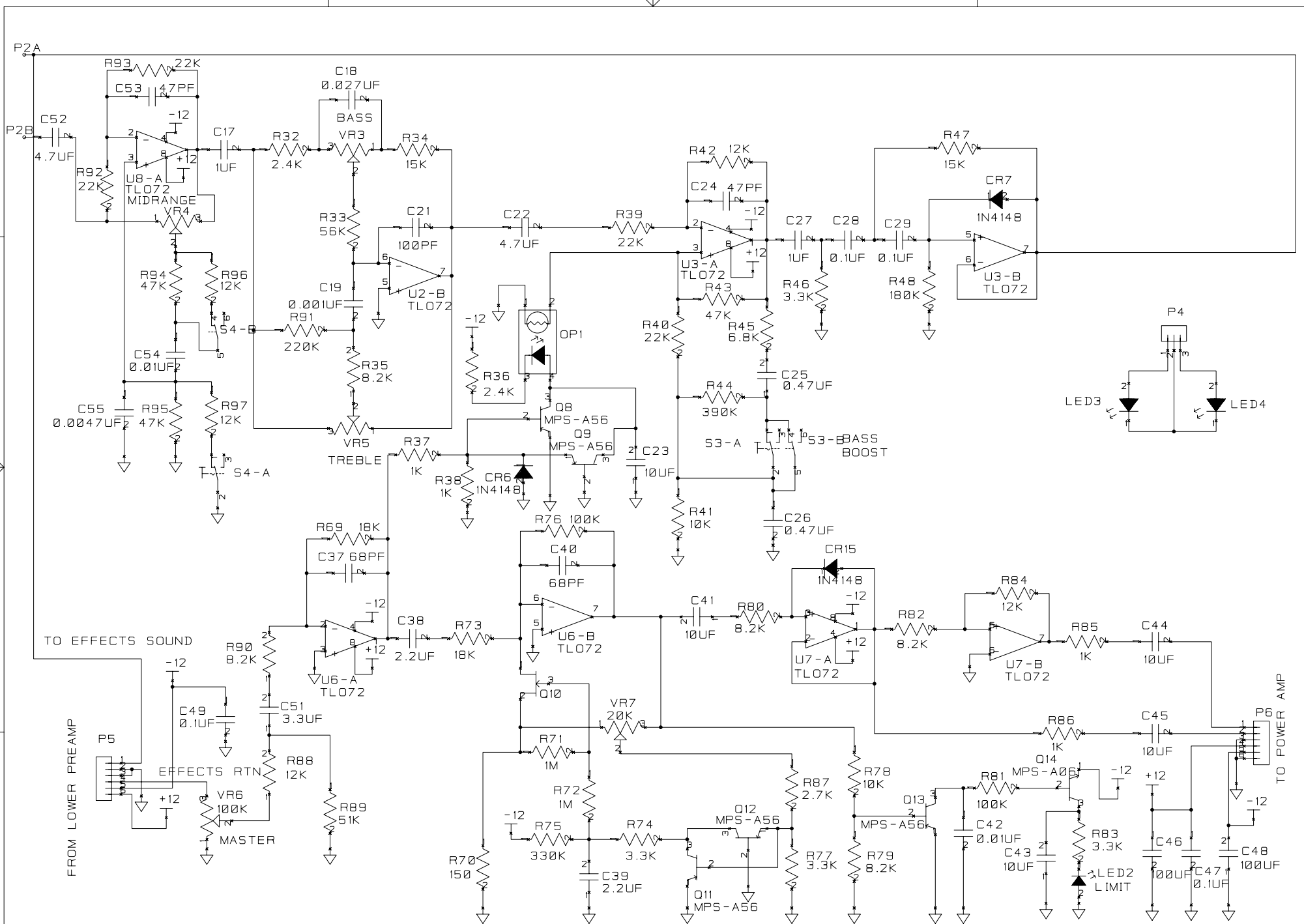
SWITCH SHOWN WITH KNOB PULLED OUT



LEDF100

LOGO LED CIRCUIT

CONTRACT NO.		COMPANY NAME Eden Div. of US Music			
APPROVALS	DATE	DWG			
DRAWN		SIZE	FSCM NO.	DWG NO.	REV
CHECKED				WTX-260	
ISSUED		SCALE		SHEET	1 of 2



CONTRACT NO.		COMPANY NAME			
		Eden Div. of US Music			
APPROVALS	DATE	DWG			
DRAWN		SIZE	FSCM NO.	DWG NO.	REV
CHECKED				WTX-260	
ISSUED		SCALE			SHEET