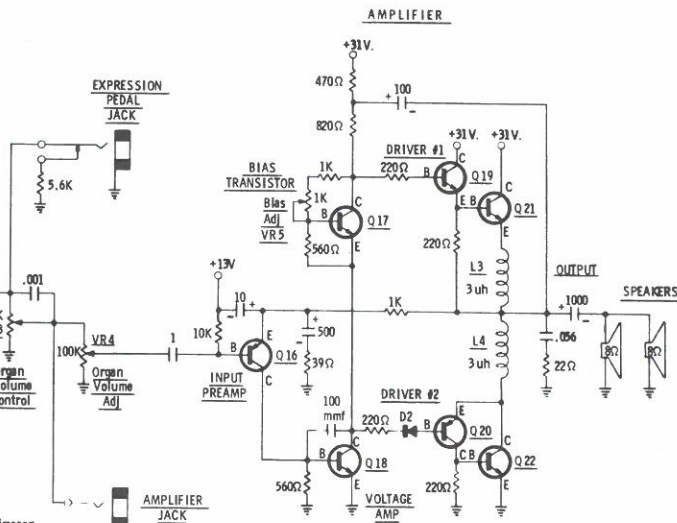
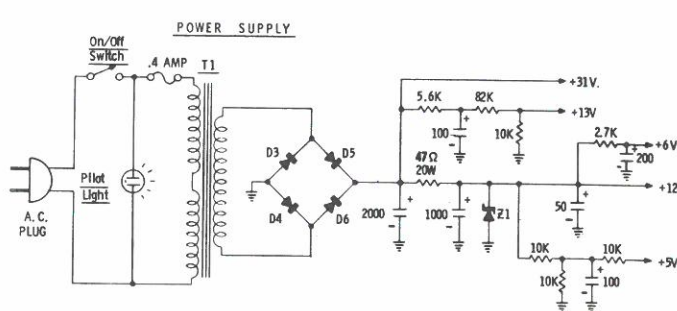
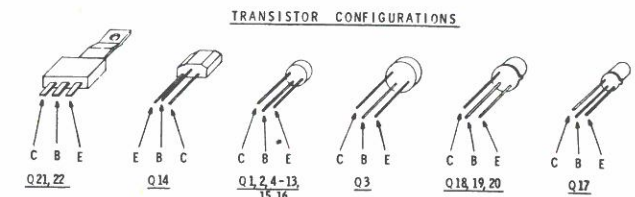
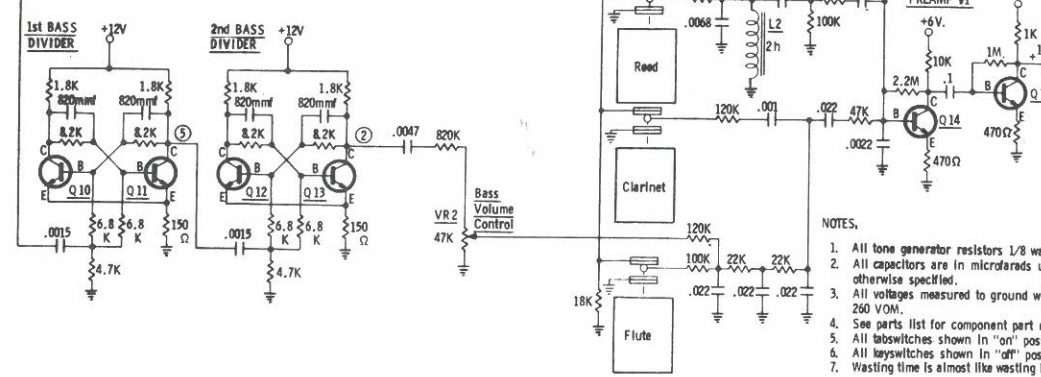


MASTER OSCILLATOR TUNING COMPONENTS			
NOTE	C1-C3	C2	C4
F	.082	.018	.033
F#	.082	.015	.033
G	.082	.015	.033
G#	.068	.012	.027
A	.068	.012	.027
A#	.056	.01	.027
B	.056	.01	.027
C	.056	.01	.027
C#	.056	.01	.027
D	.047	.0082	.022
D#	.047	.0082	.022
E	.039	.0082	.018



- NOTES.
1. All tone generator resistors 1/8 watt 5%.
 2. All capacitors are in microfarads unless otherwise specified.
 3. All voltages measured to ground with a Simpson 260 VOM.
 4. See parts list for component part numbers.
 5. All tabs/switches shown in "on" position.
 6. All keyswitches shown in "off" position.
 7. Wasting time is almost like wasting life.

FARFISA COMPACT
C2/143
Dwg No 1 Model F.A.S.T. 2