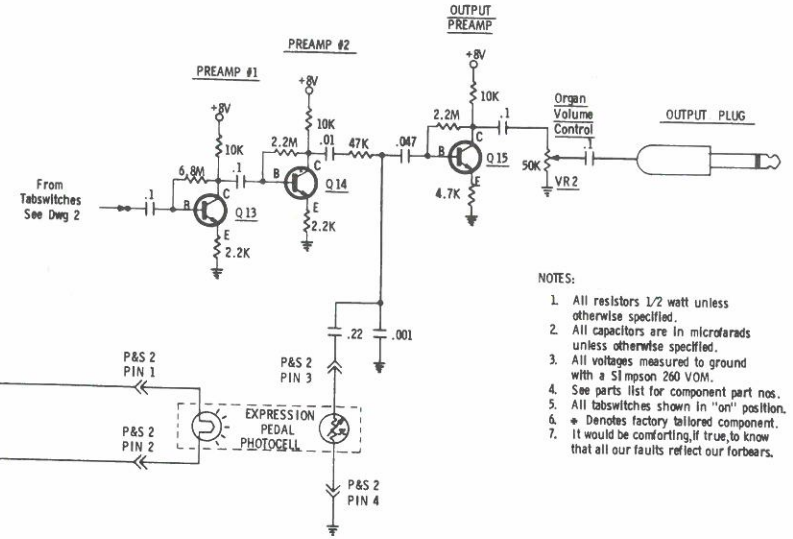
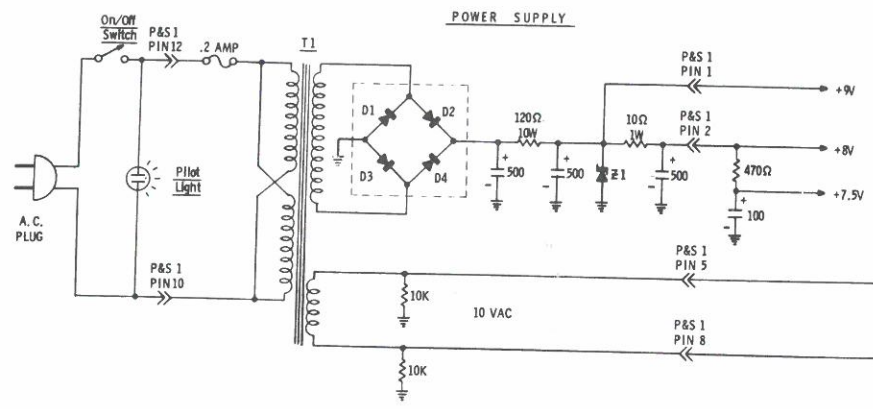


PLUG & SOCKET CONNECTIONS

P&S No.	PIN No.	Voltage	INFORMATION
1	1	+9V	To Vibrato
	2	+8V	To Tone Generators & Preamps
	3	∅	Ground
	4	----	Not Used
	5	10 VAC	To Expression Pedal lamp
	6	∅	Ground
	7	----	Not Used
	8	10 VAC	To Expression Pedal lamp
	9	----	Not Used
	10	117VAC	From A.C. Plug
	11	----	Not Used
	12	117VAC	From On/Off Switch
4	1	10 VAC	To Expression Pedal lamp
	2	10 VAC	To Expression Pedal lamp
	3	Audio	To Expression Pedal Photocell
	4	∅	Ground

MASTER OSCILLATOR TUNING COMPONENTS

NOTE	C1-C2	C3-C4	C5-C6
C	.022	.047	.1
C#	.022	.047	.1
D	.022	.039	.082
D#	.022	.039	.082
E	.015	.033	.068
F	.015	.033	.068
F#	.015	.033	.068
G	.015	.033	.068
G#	.012	.027	.056
A	.012	.027	.056
A#	.012	.027	.056
B	.012	.027	.056



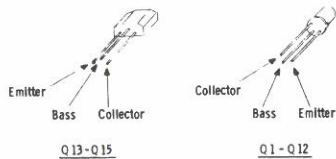
- NOTES:**
- All resistors 1/2 watt unless otherwise specified.
 - All capacitors are in microfarads unless otherwise specified.
 - All voltages measured to ground with a Simpson 260 VOM.
 - See parts list for component part nos.
 - All tabswitches shown in "on" position.
 - ∅ Denotes factory tailored component.
 - It would be comforting, if true, to know that all our faults reflect our forbears.

TONE GENERATORS,
VIBRATO, PREAMPS
& POWER SUPPLY
MM/133
Dwg. No. 1 Model F.A.S.T.3

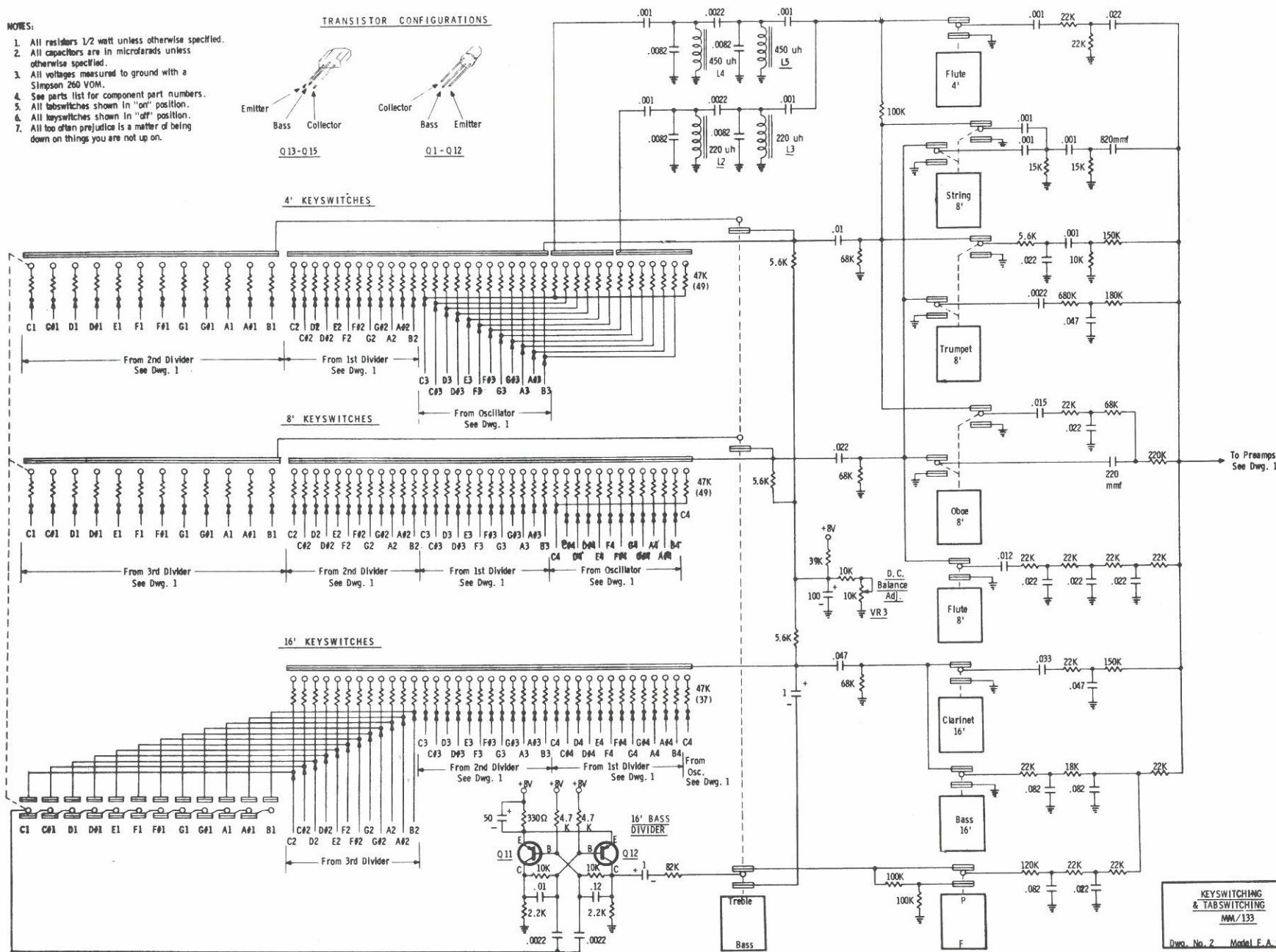
NOTES:

1. All resistors 1/2 watt unless otherwise specified.
2. All capacitors are in microfarads unless otherwise specified.
3. All voltages measured to ground with a Simpson 260 VOM.
4. See parts list for component part numbers.
5. All tabswitches shown in "on" position.
6. All keyswitches shown in "off" position.
7. All too often prejudice is a matter of being down on things you are not up on.

TRANSISTOR CONFIGURATIONS



16

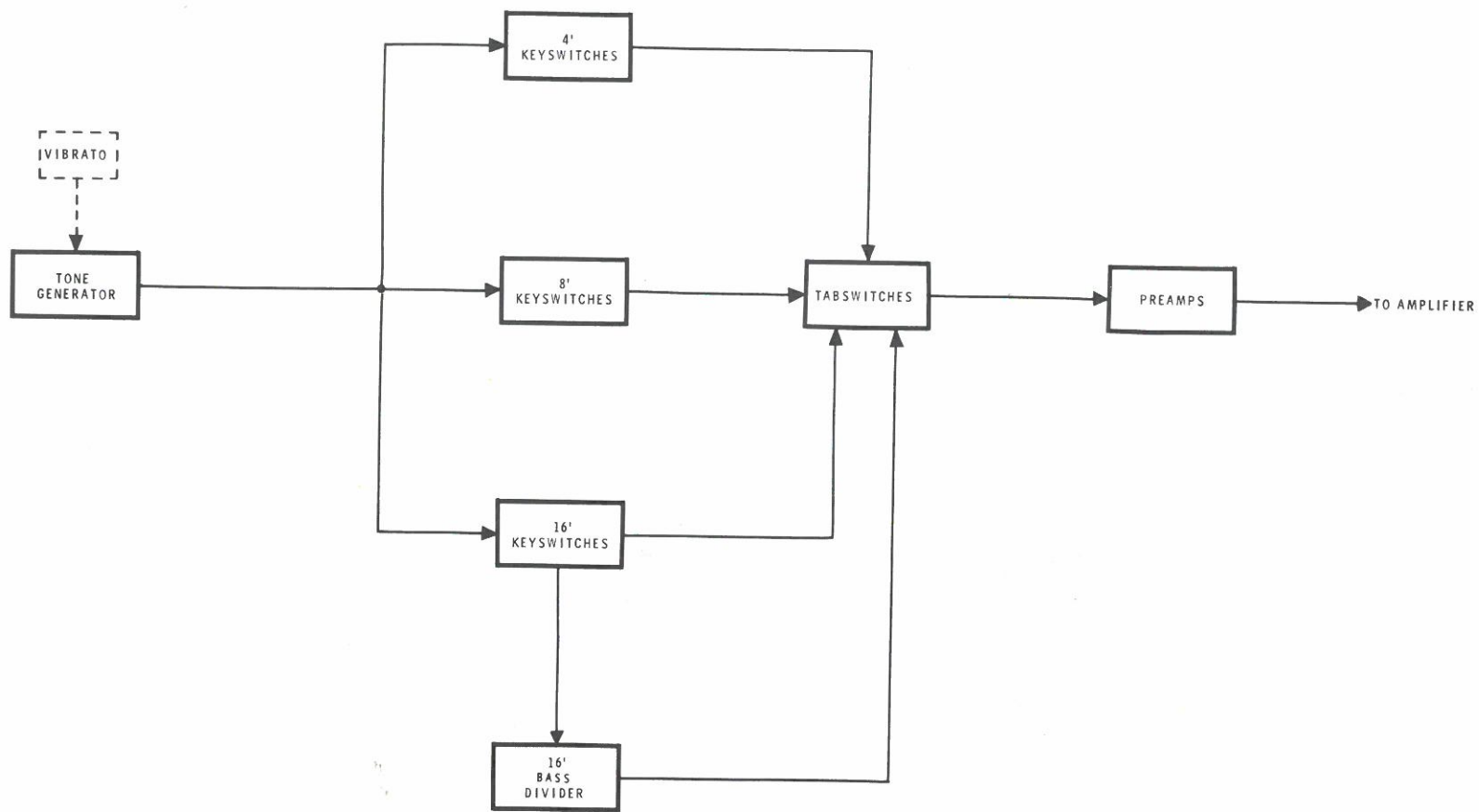


KEYSWITCHING
& TABSWITCHING
MM/133
Dwg. No. 2 Model F.A.S.T. 3

FAST 3

BLOCK DIAGRAM

F.A.S.T. 3



LEGEND

SIGNAL FLOW →

[CONTROL]