

mini compact

portable electronic organ

D.W.G. NO.

SM-52

FARFISA

— ASPIC TERME — ANCONA — ITALY —

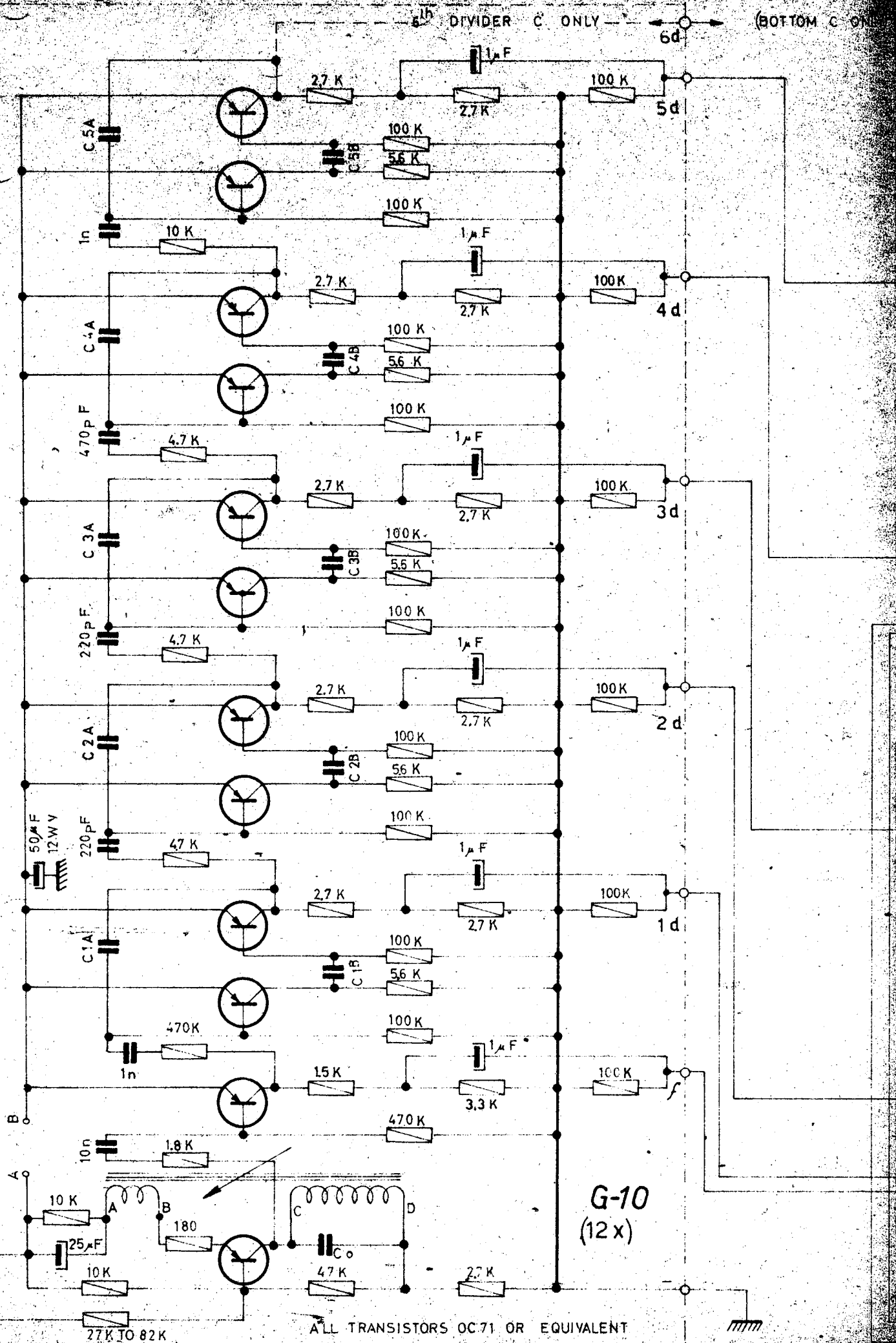
SCHEMATIC DIAGRAM

FOR MODEL

MINICOMPACT

A TO B	RESISTANCE
DO	330 Ω
DO*	270 Ω
RE	220 Ω
RE*	180 Ω
MA	150 Ω
FA	120 Ω
FA*	100 Ω
SOL	68 Ω
SOL*	DC*
LA	DC*
LA*	DC*
SI	DC*

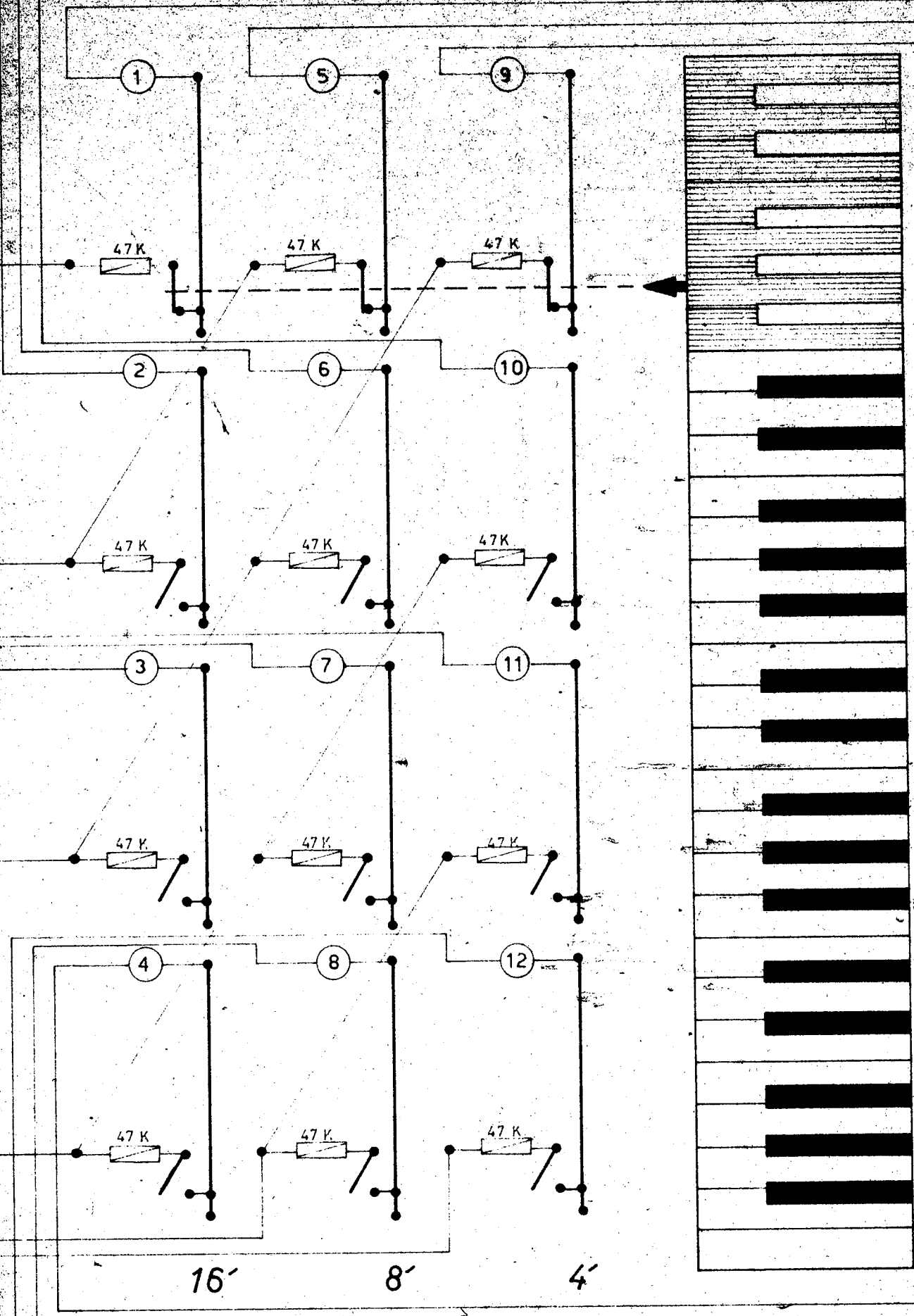
* D.C. DIRECT CONNECTION
 50 μ F 12WV ON GENERATOR BOARDS - SOL* - LA - LA* - SI -



G-10
(12 x)

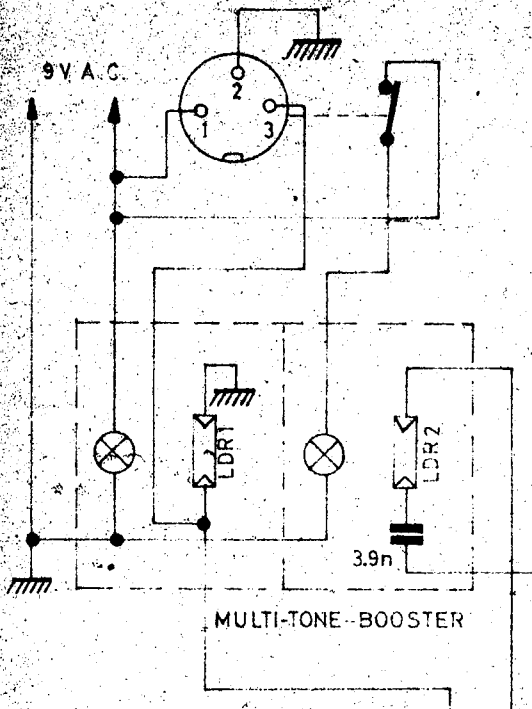
ALL TRANSISTORS OC71 OR EQUIVALENT

VIBRATOR
NO 3 PA 10



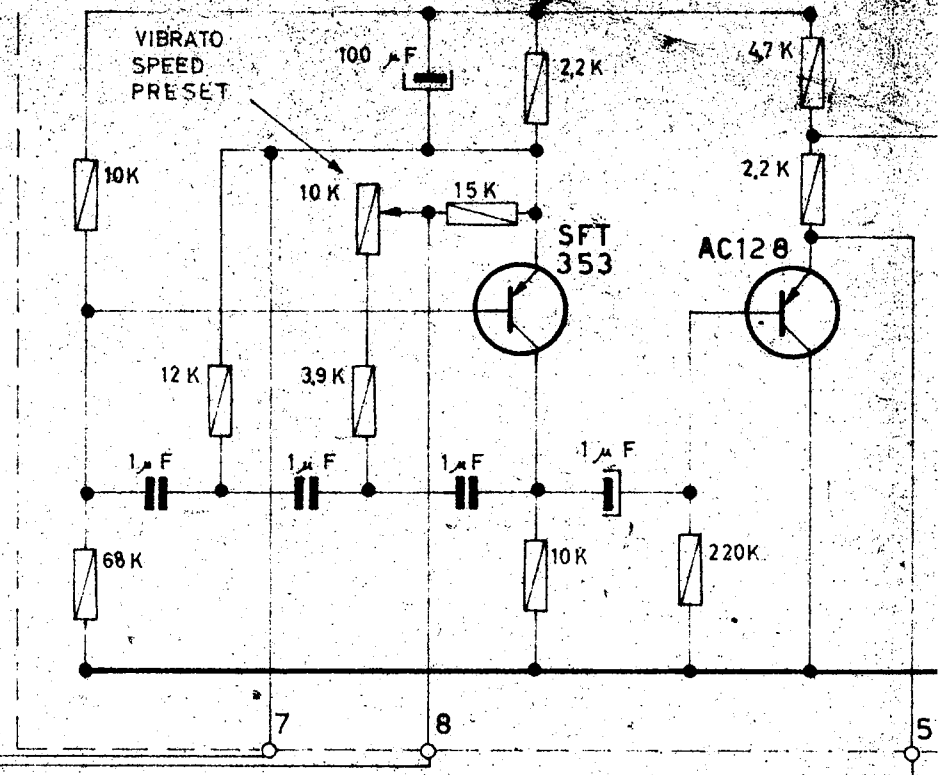
THE
 GREY
 SCALE
 BAR

SOCKET FOR
OPTIONAL
SWELL-PEDAL



MULTI-TONE-BOOSTER

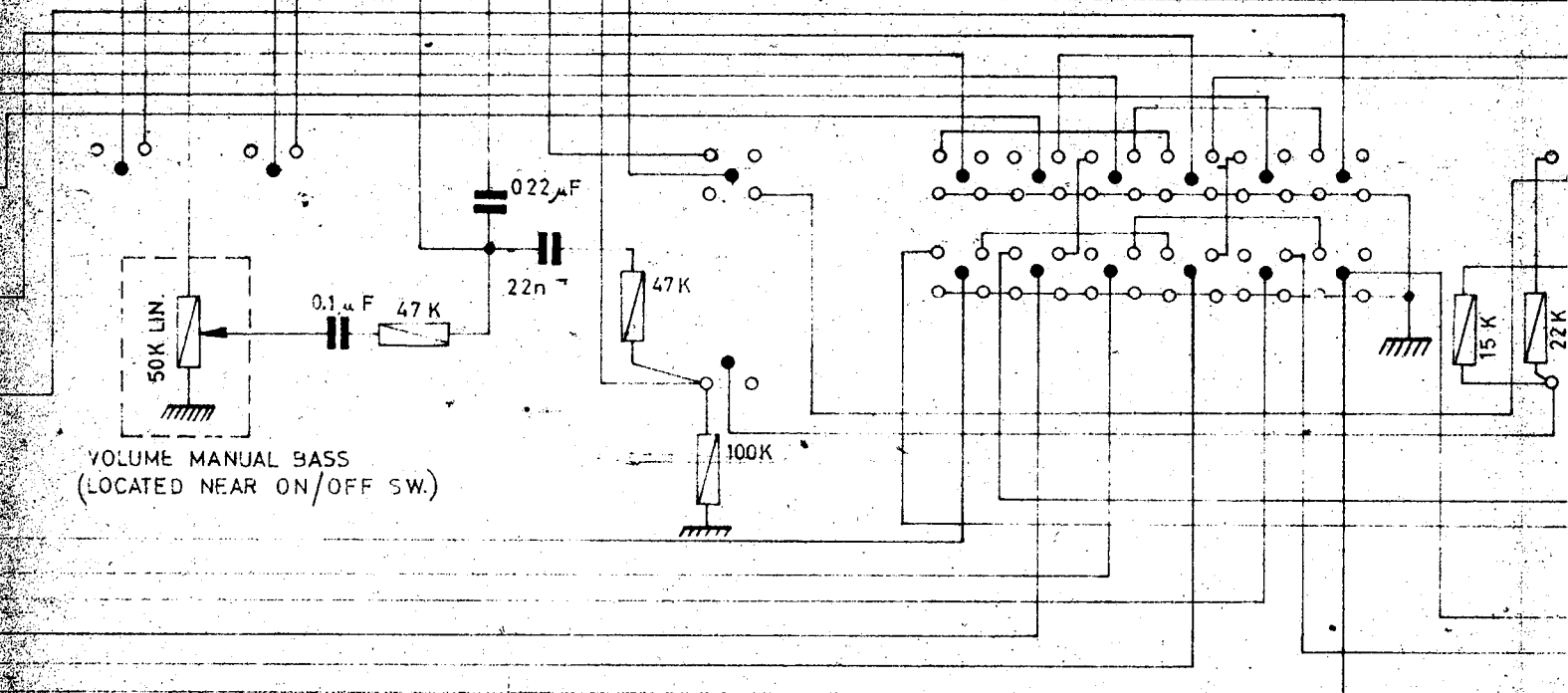
VIBRATO
SPEED
PRESET



SFT
353

AC128

VOLUME MANUAL BASS
(LOCATED NEAR ON/OFF SW.)



SLOW	OFF
	VIBRATO
FAST	ON

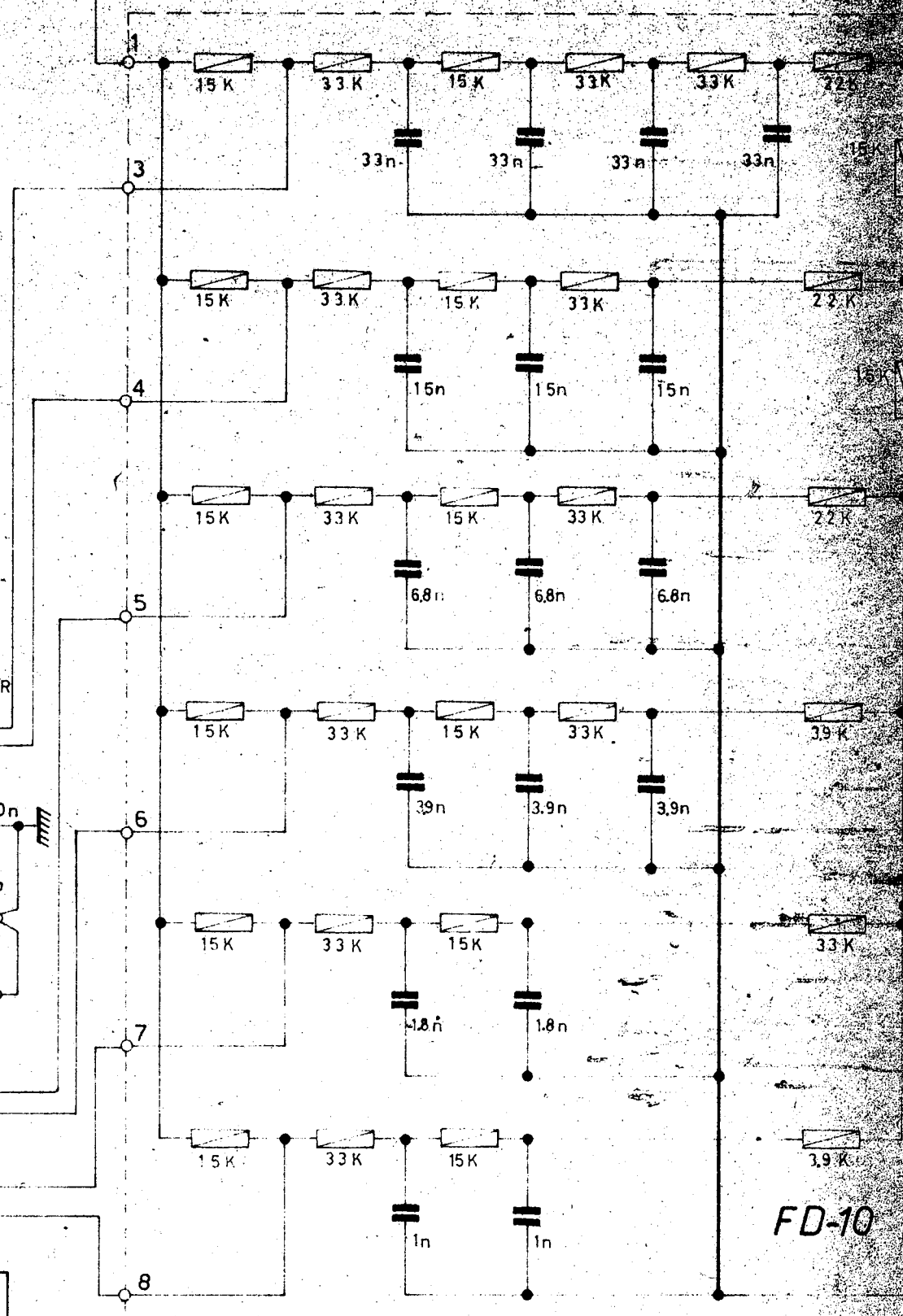
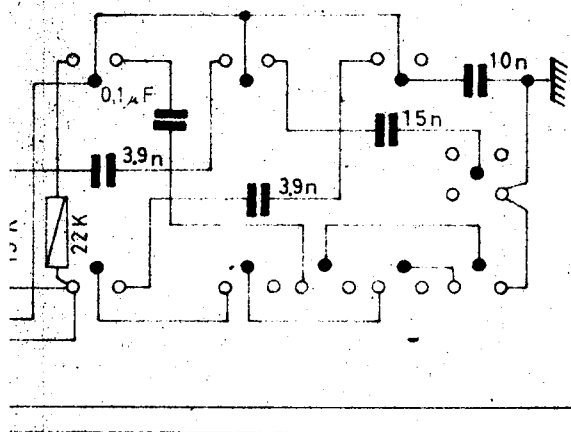
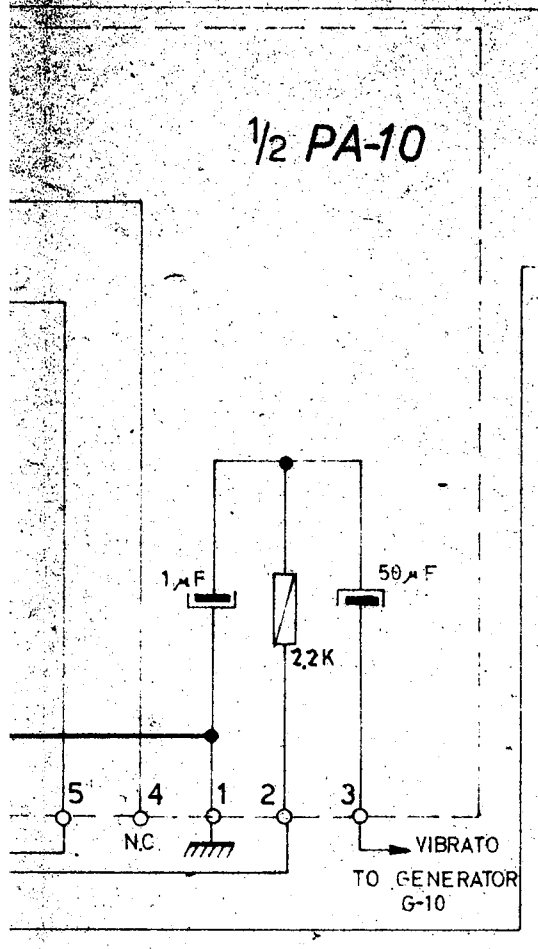
OFF
MULTI TONE BOOSTER
ON

16'

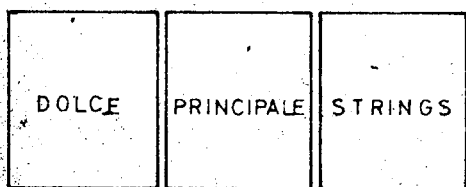
8'

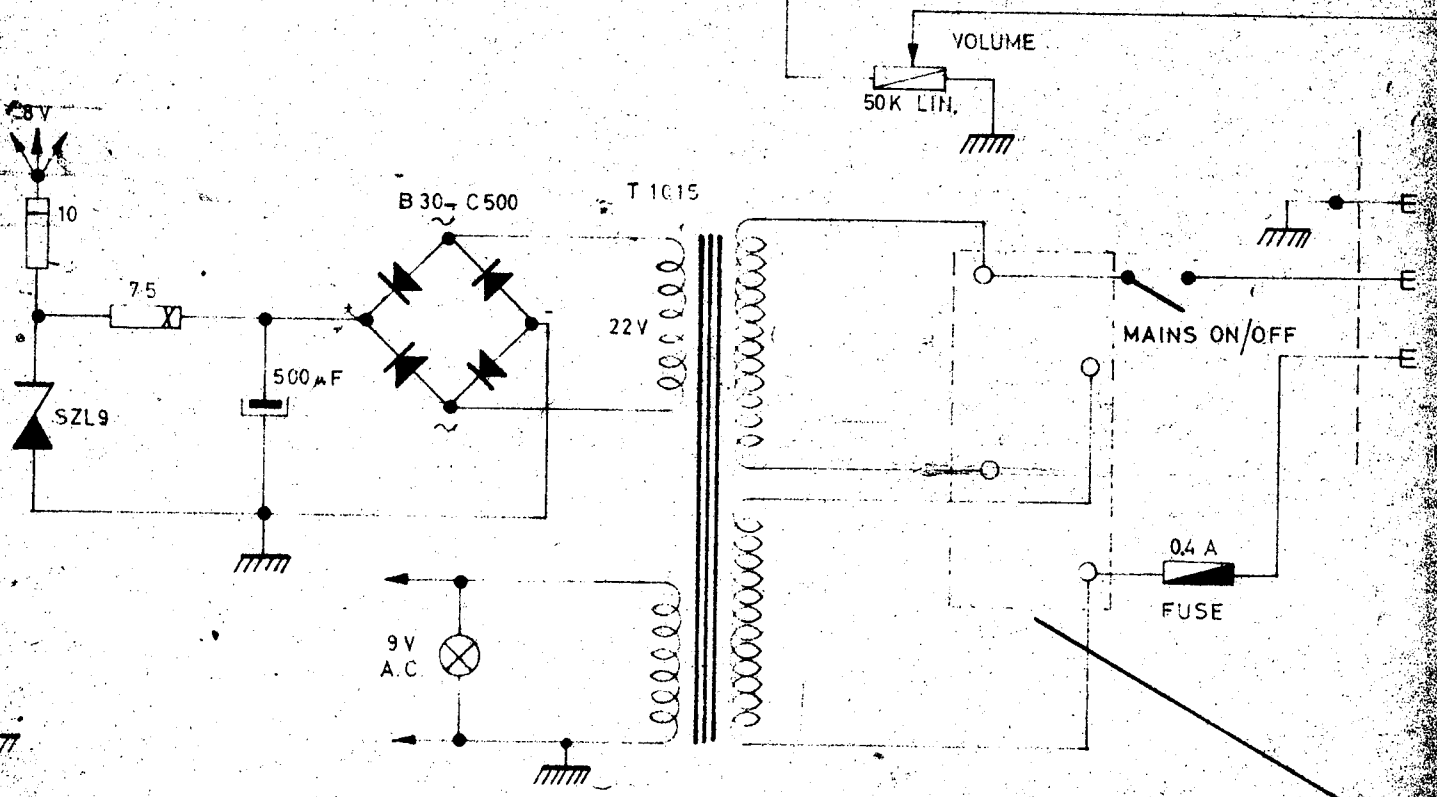
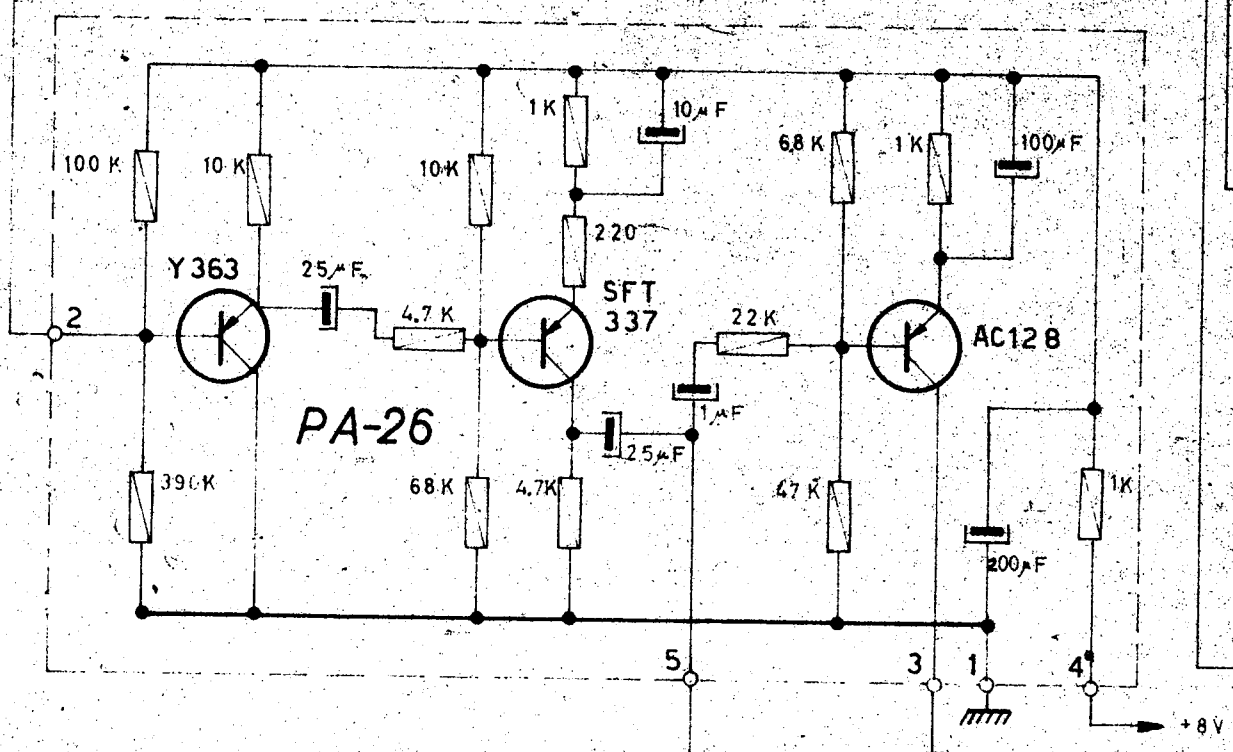
4'

1/2 PA-10

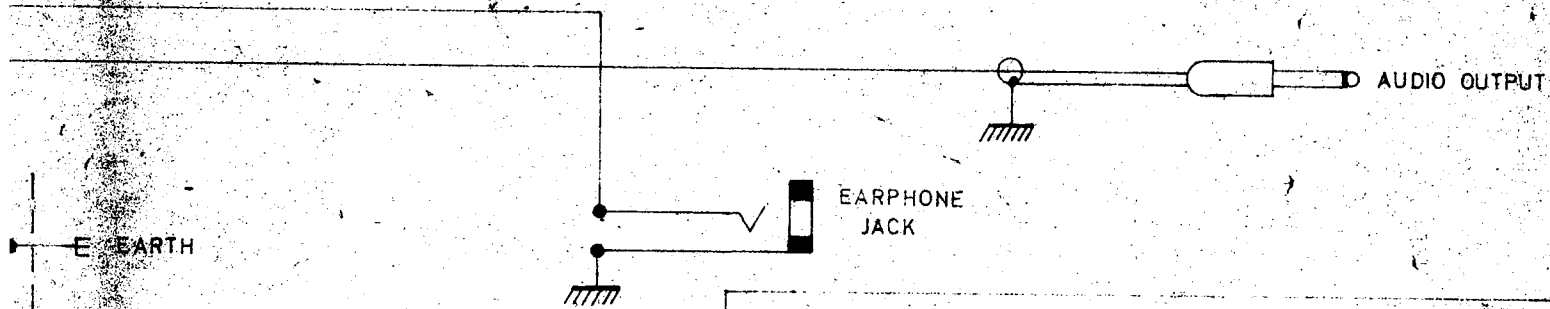
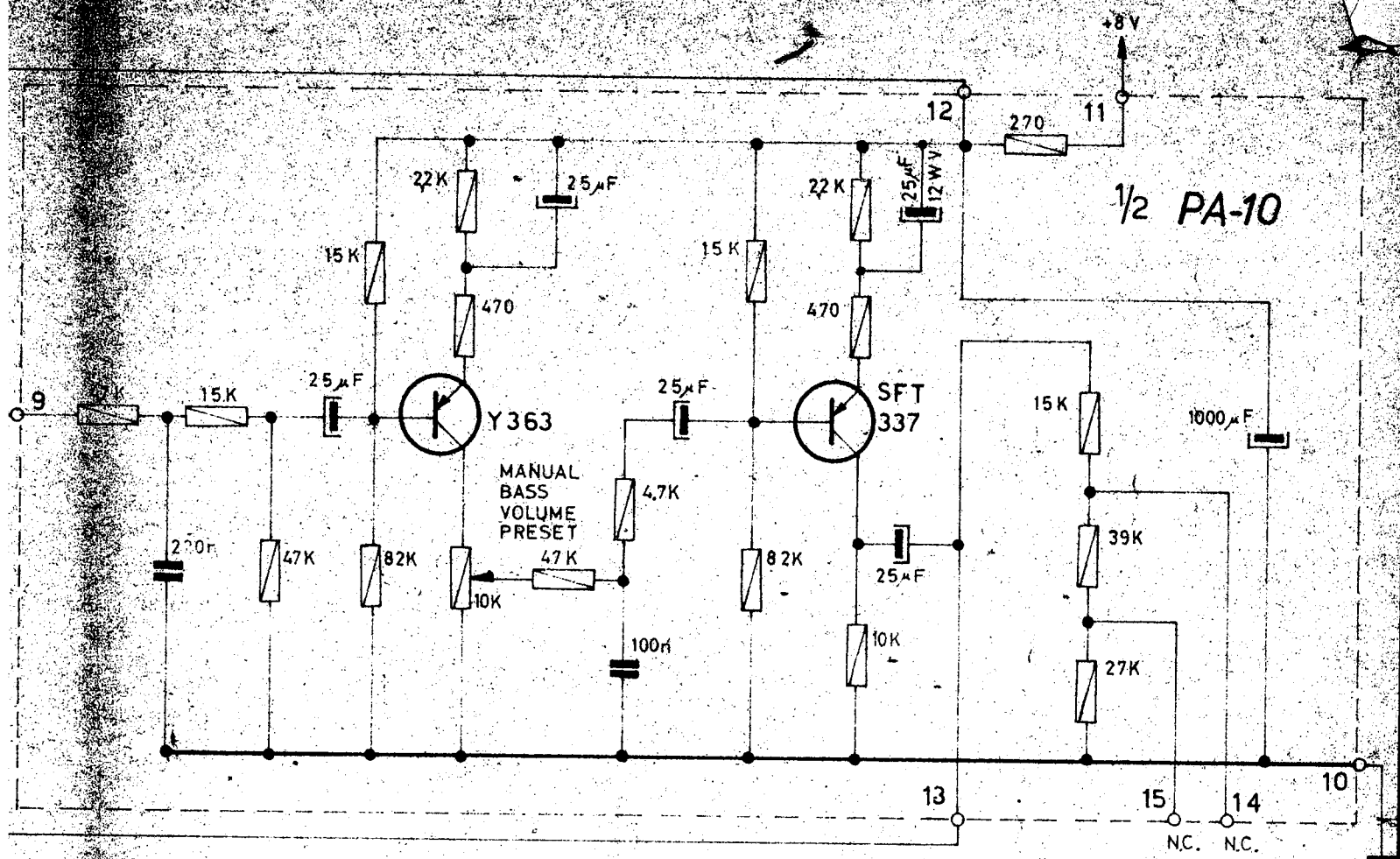


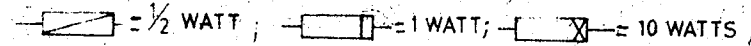

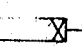
FD-10





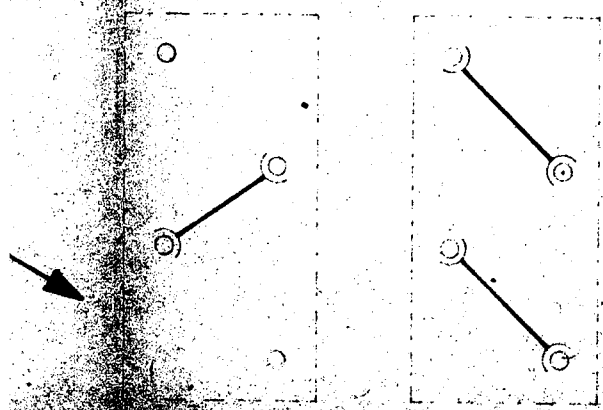
POWER SUPPLY CHASSIS



1 μ (WITH VALUES OF CAPACITORS) EQUALS 1000 pF (1000 μ F)
 ALL NON ELECTROLYTIC CAPACITORS 125 WV UNLESS OTHERWISE INDICATED.
 PILOT LAMPS 12V 3W (PHILIPS TYPE 12384)
 = 1/2 WATT ;  = 1 WATT ;  = 10 WATTS ;
 ALL RESISTORS 10% UNLESS OTHERWISE INDICATED

FOR AC MAINS
 220 TO 240V

FOR AC MAINS
 110 TO 125V



	C ₀	C 1A	C 1B	C 2A	C 2B	C 3A	C 3B	C 4A	C 4B	C 5A	C 5B	C 6A	C 6B
C DO	7.5n	5.6n	6.8n	10n	12n	22n	27n	39n	47n	82n	100n	150n	170n
C* DO*	16n	8.2n	12n	18n	27n	33n	39n	68n	82n	120n	150n		
D RE	14.7n	8.2n	10n	15n	22n	33n	39n	68n	82n	120n	150n		
D# RE#	13n	8.2n	10n	15n	22n	33n	39n	68n	82n	120n	150n		
E MI	11.2n	6.8n	10n	15n	22n	27n	39n	56n	82n	120n	150n		
F FA	10n	6.8n	10n	15n	18n	27n	39n	56n	68n	120n	150n		
F# FA#	9n	6.8n	10n	12n	18n	27n	33n	56n	68n	100n	120n		
G SOL	7.8n	5.6n	10n	12n	15n	22n	33n	56n	68n	100n	120n		
G* SOL*	7.1n	5.6n	8.2n	12n	15n	22n	33n	47n	68n	82n	100n		
A LA	5.9n	5.6n	8.2n	10n	15n	22n	33n	47n	68n	82n	100n		
A* LA*	10n	5.6n	5.8n	10n	12n	22n	33n	47n	56n	82n	100n		
B SI	8.3n	4.7n	5.8n	8.2n	12n	18n	27n	39n	47n	82n	100n		

ALL CAPACITORS .10 %

Drawn by

Checked by

Date

29-4-66

Revisions

No