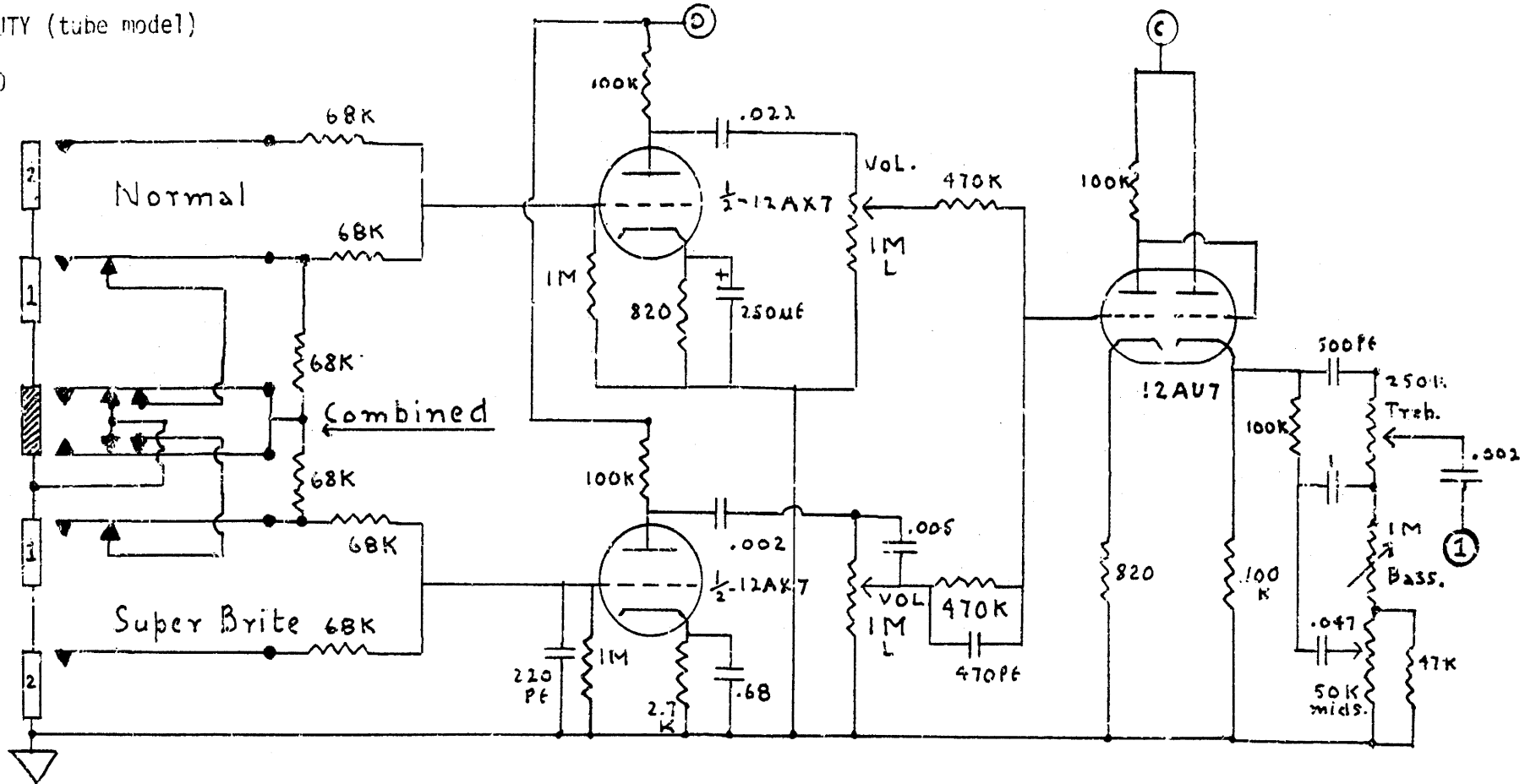


DEPUTY (tube model)

G100



pre-amp, mixer, 2nd pre-amp and tone circuits.

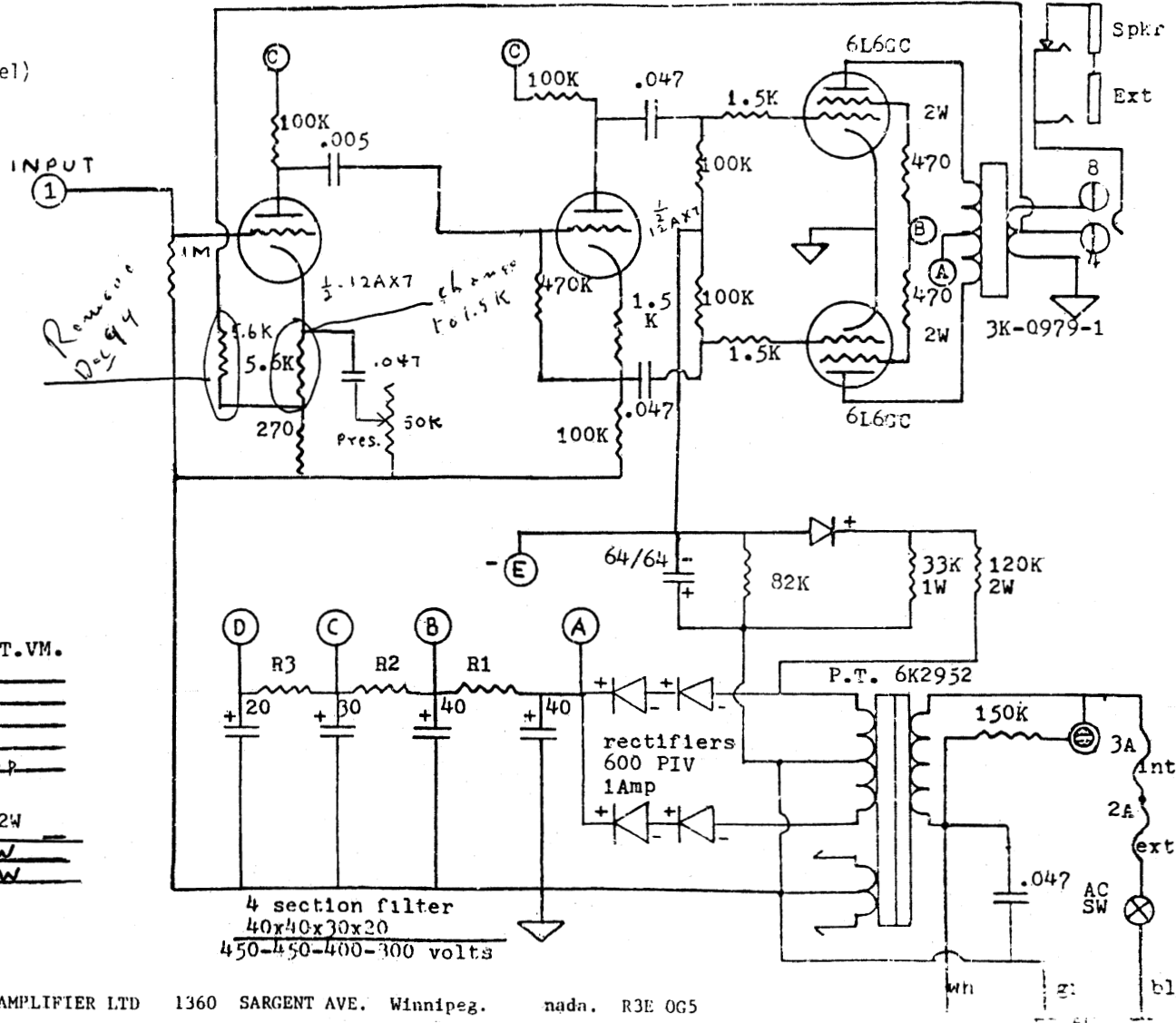
G100 POWER SUPPLY

Garnet

DEPUTY (tube model)

G100

Final driver,
Power amp,
Power supply.



Voltages: V.T.VM.

A)	430
B)	425
C)	340
D)	290
E)	-48 A+P

R1	470-2W
R2	10K-2W
R3	27K-1W

4 section filter
40x40x30x20
450-450-400-300 volts