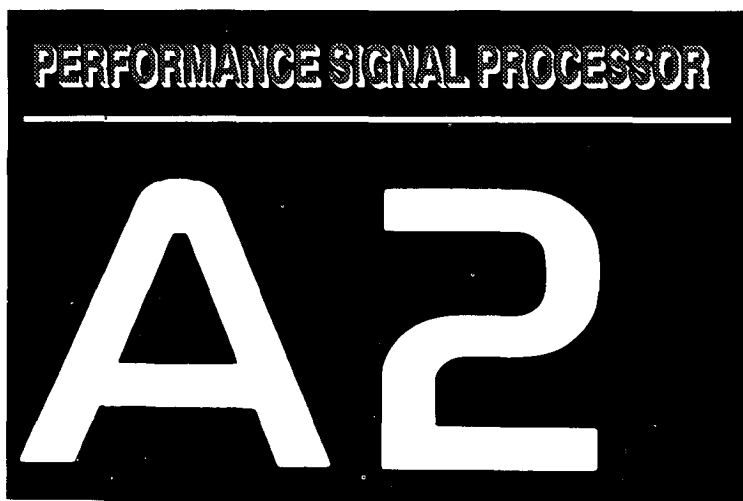


SERVICE MANUAL



CONTENTS

1. SPECIFICATION	1
2. STRUCTURAL DIAGRAM	2
3. BLOCK DIAGRAM	3-a
4. CIRCUIT DIAGRAM	3-b, 3-c
5. P.C. BOARDS	4
6. CIRCUIT EXPLANATION	8
7. CHECK AND ADJUSTMENT	10
8. IC CHECK POINT	16
9. REFERENCE DATA	19
10. PARTS LIST	25

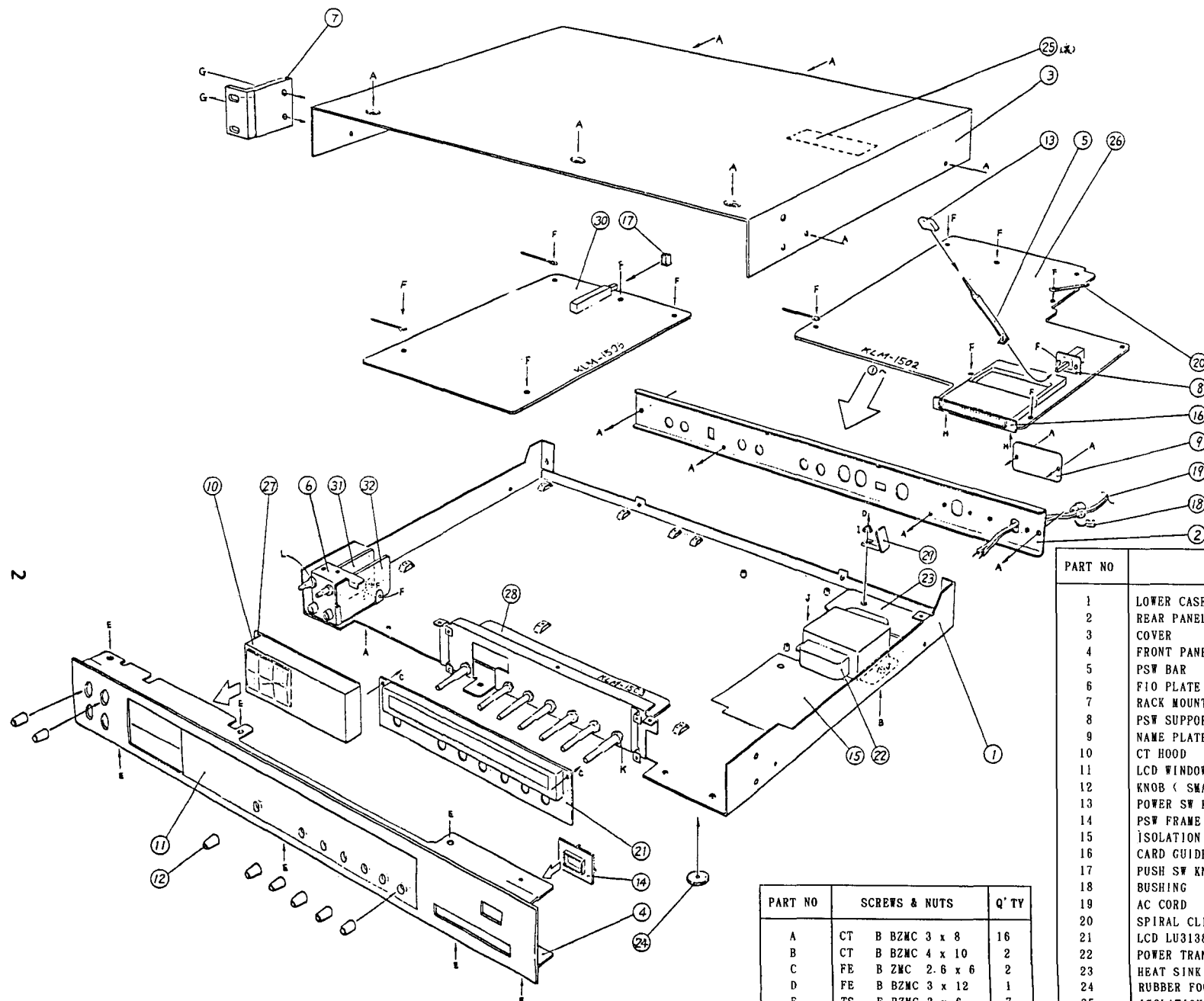
KORG

1. SPECIFICATION

- Front panel input : FRONT (GUITAR IN) fixed at -20dB (-5dBm MAX)/ $1\text{M}\Omega$
- Back panel input : Input level/impedance : $+4\text{dB}$ ($+19\text{dBm MAX}$)/ $50\text{K}\Omega$ – 10dB ($+5\text{dBm MAX}$)/ $50\text{K}\Omega$
- Back panel output : Output level/impedance : $+4\text{dB}$ (19dBm MAX)/ 470Ω – 10dB ($+5\text{dBm MAX}$)/ 470Ω
Headphone out impedance: over 10Ω
- AD/DA : 16 – bit linear (DA: 4 – times over – sampling digital filter)
- Sampling frequency : 37.1KHz
- Frequency response : 24Hz – 18KHz + 1.5/ – 3dB
- Dynamic range : 90dB
- Memory : No.1 – 100; No.1 – 200 when using card
- Front panel :
 - KEY SW : UP,DOWN,DISPLAY SELECT,PARAMETER EDIT,UTILITY,WRITE,POWER SW, DOUBLE FUNCTION EDITOR [A – F, CHAIN/EFFECT(BYPASS)]
 - Display : Backlit LCD display: 40 characters \times 1 row
 - PROGRAM No. display : 7 – segment LED \times 3
 - Dot type LEDs : PERFORMANCE,INDIVIDUAL,BYPASS,PARAMETER EDIT,UTILITY
 - Input level : 5 – element level meter, with digital clip
 - INPUT VOLUME
 - PHONES LEVEL
 - CARD slot
 - GUITAR IN terminal
 - PHONES terminal (stereo)
- Rear panel
 - Switches : level attenuation switch ($-10\text{dB}/+4\text{dB}$), MIDI OUT/THRU toggling switch
 - LINE IN terminal \times 2 (L/MONO,R)
 - OUT PUT terminal \times 2 (L/MONO,R)
 - PEDAL/SW input terminal \times 2
 - MIDI IN, MIDI OUT/THRU
 - REMOTE IN
- Internal effects: REVERB GROUP, COMPRESSOR GROUP, DISTORTION GROUP, DELAY GROUP,STEREO DELAY GROUP, MODULATION DELAY GROUP, MODULATION GROUP, ROTARY SPEAKER GROUP, PAN GROUP, PARAMETRIC EQUALIZER, PITCH SHIFTER GROUP, EXCITER GROUP, ENSEMBLE GROUP, PHASER GROUP, 3 BAND EQUALIZER, SPEAKER SIMULATION GROUP, PEDAL PAN, GATE,PEDAL WAH, EARLY REFLECTION, HARD DISTORTION GROUP, AUTO WAH GROUP, SPACE PHASER GROUP, MULTI TAP DELAY GROUP, LONG DELAY GROUP,TEMPO DELAY, DYNAMIC MODULATION GROUP, 4CH MIXER, GATE II GROUP, LIMITTER, BAND CHORUS GROUP, STEREO EXCITER, COMP/LIMITTER, SUPER DISTORTION GROUP, HARD DISTORTION II GROUP, NEW 3 BAND EQUALIZER, MULTI – TAP CHORUS, REVERB II GROUP,DRIVER, ROTARY SPEAKER II, MODULATION II GROUP, STEREO COMP/LIMITTER LEFT, STEREO COMP/LIMITTER RIGHT,STEREO PITCH SHIFTER/DELAY GROUP, SPECIAL REVERB GROUP,
- Power consumption: 26 W
- Dimensions: 482(W) \times 332.5(D) \times 44(H)mm (19" \times 12 – 15/16" \times 1 – 3/4")
- Weight : 4.5 kg (albs 14½oz)
- Optional accessories: VOLUME PEDAL(KVP – 001), FOOT SWITCH(PS – 1,PS – 2),
REMOTE CABLE(RCC – 050,RCC – 100),
FOOT CONTROLLER(FC6), RAM CARD(MCR – 03 only),
ROM CARD(SPC – 01 –)

★ Specifications are subject to change without notice.

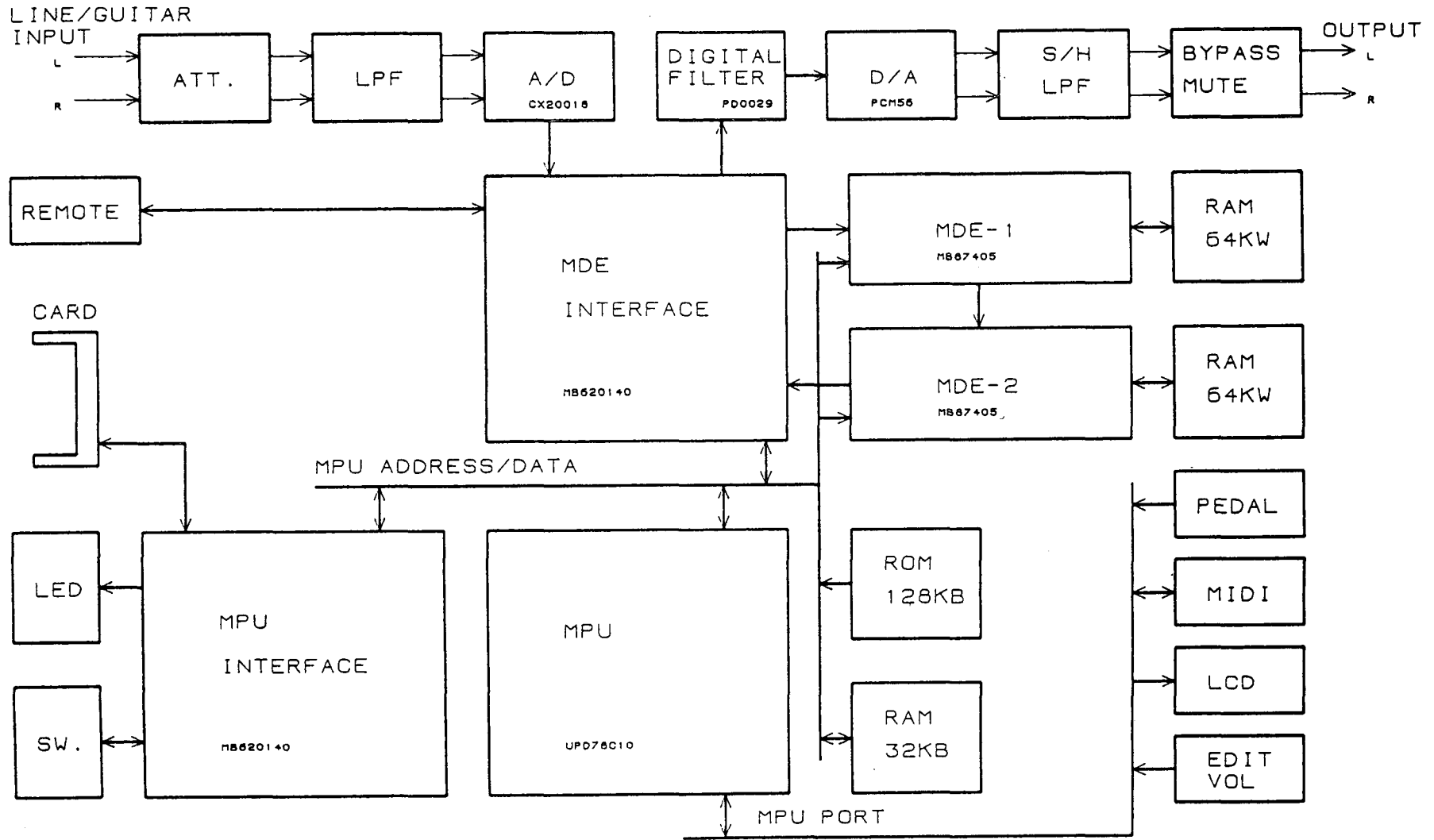
2. STRUCTURAL DIAGRAM



PART NO	SCREWS & NUTS	Q' TY
A	CT B BZNC 3 x 8	16
B	CT B BZNC 4 x 10	2
C	FE B ZNC 2.6 x 6	2
D	FE B BZNC 3 x 12	1
E	TS F BZNC 3 x 6	7
F	CT B ZNC 3 x 6	15
G	TP2G F BZNC 4 x 10	4
H	PLAX B BZNC 3 x 10	4
I	FHN ZNC 3	1
J	FHN ZNC 4	2
K	VN ZNC 7	7
L	VN BZNC 7	2

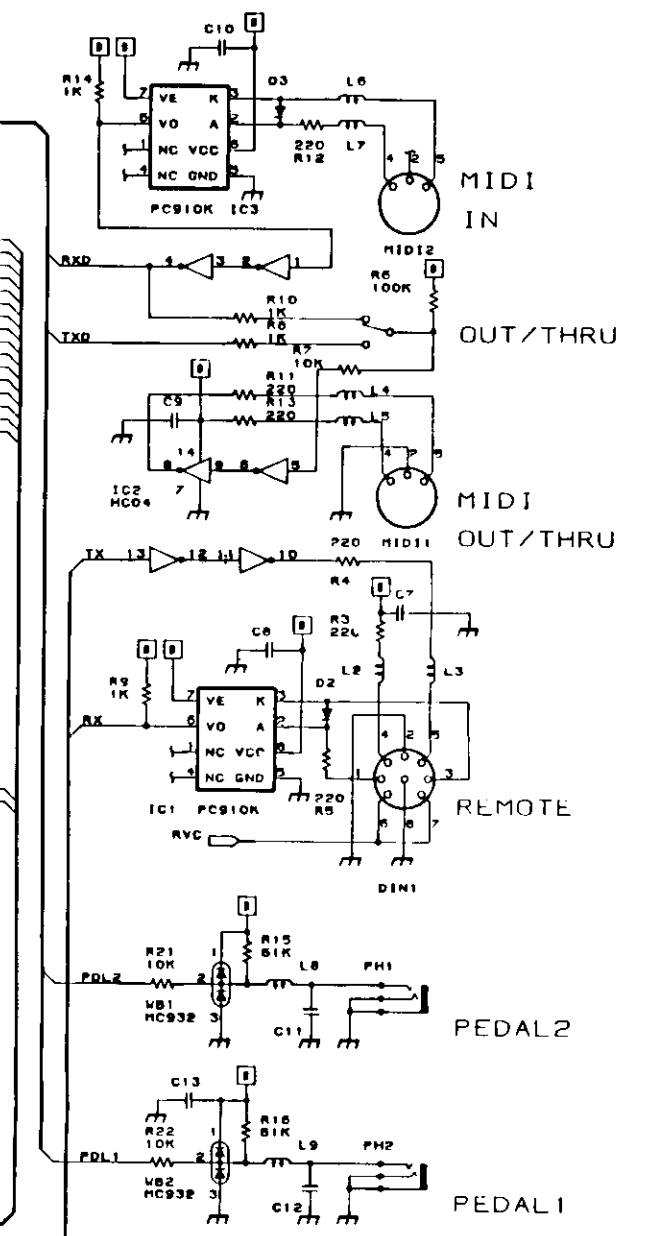
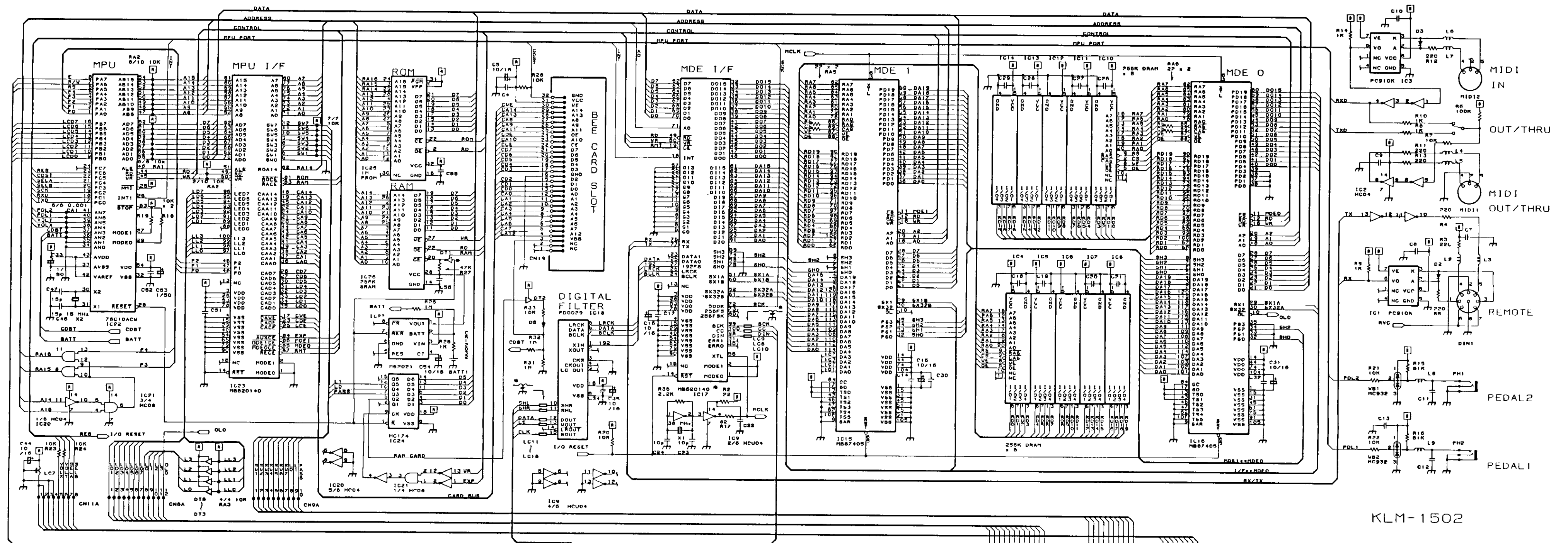
PART NO	PART NAME	PART CODE
1	LOWER CASE	640096500
2	REAR PANEL	641018500
3	COVER	640096600
4	FRONT PANEL	641018300
5	PSW BAR	640096800
6	FIO PLATE	640096900
7	RACK MOUNT ADAPTOR	641020000
8	PSW SUPPORT	640096700
9	NAME PLATE	-----
10	CT HOOD	646030500
11	LCD WINDOW	630014200
12	KNOB (SMALL)	620020900
13	POWER SW KNOB	620018200
14	PSW FRAME	646030200
15	ISOLATION SHEET	630007500
16	CARD GUIDE	640088500
17	PUSH SW KNOB 4093-1	620020800
18	BUSHING	-----
19	AC CORD	-----
20	SPIRAL CLIP CP-1S	-----
21	LCD LU3138 40 x 1	313001700
22	POWER TRANSFORMER TC-031	400011700
23	HEAT SINK	560005700
24	RUBBER FOOT	500013000
25	ISOLATION TAPE	-----
26	P. C. BOARD KLM-1502 (MAIN BOARD)	001150200
27	P. C. BOARD KLM-1504 (PANEL BOARD)	001150200
28	P. C. BOARD KLM-1503 (VR BOARD)	001150200
29	P. C. BOARD KLM-1505 (REGULATOR BOARD)	001150200
30	P. C. BOARD KLM-1506 (ANALOG BOARD)	001150600
31	P. C. BOARD KLM-1507 (INPUT BOARD)	001150700
32	P. C. BOARD KLM-1508 (HEADPHONE BOARD)	001150700

3. BLOCK DIAGRAM

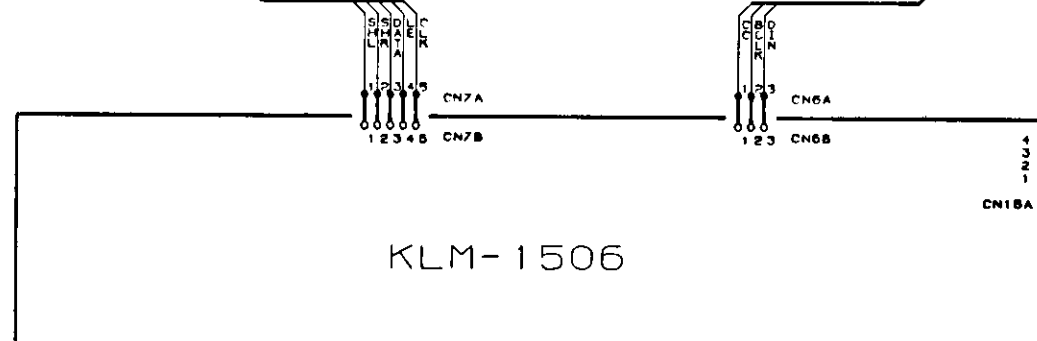
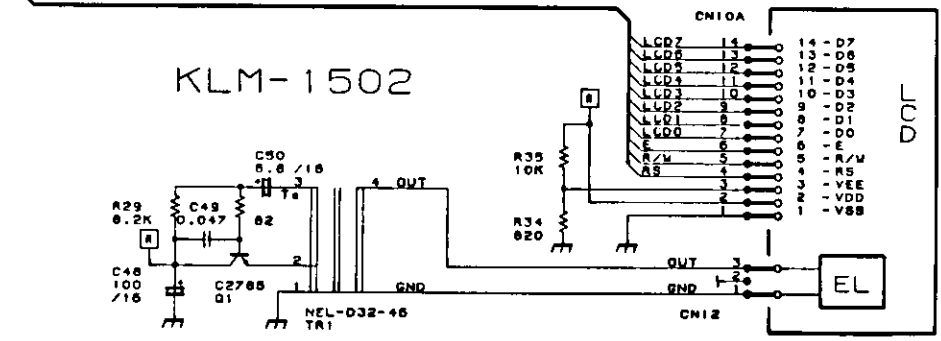


4. CIRCUIT DIAGRAM

KLM-1502-05



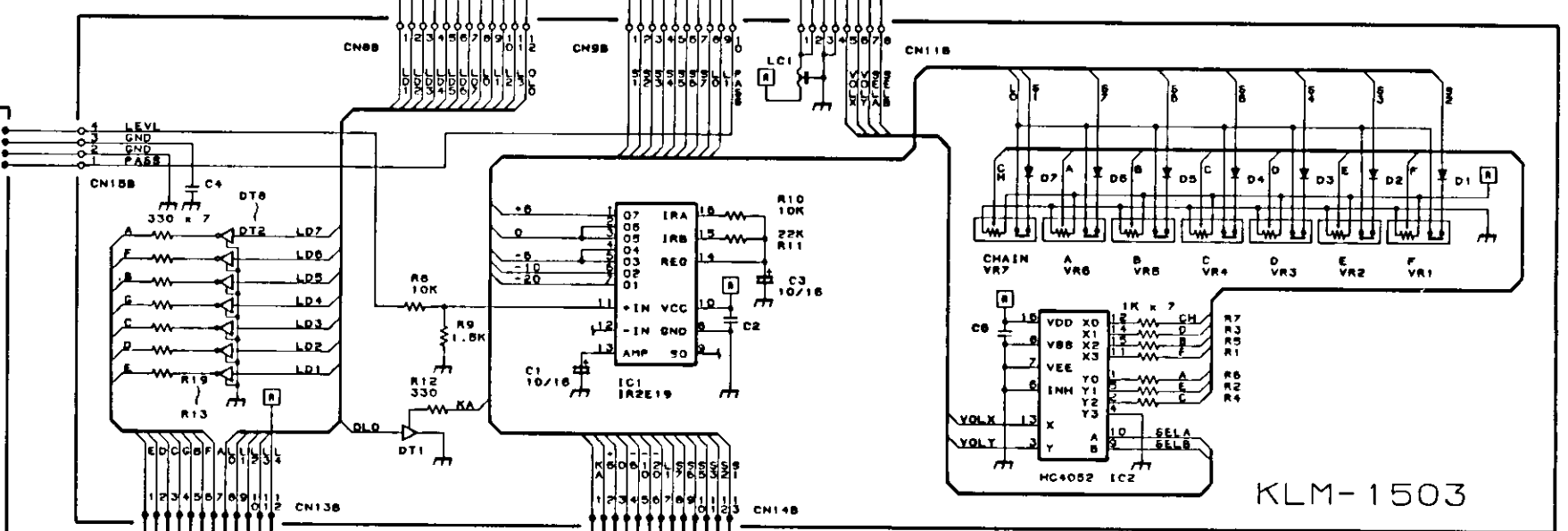
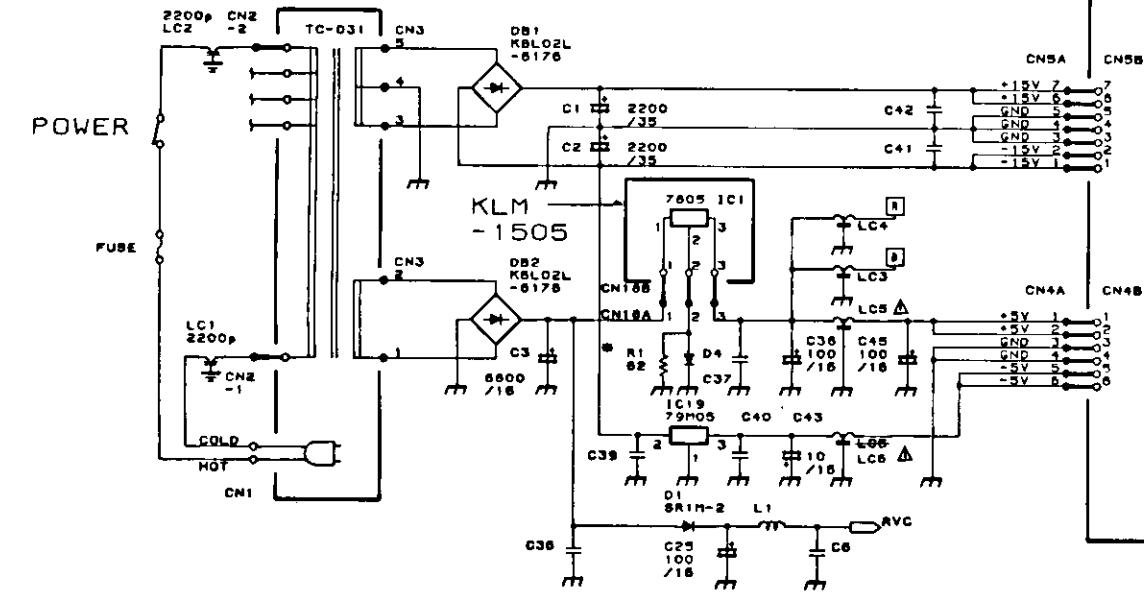
KLM-1502



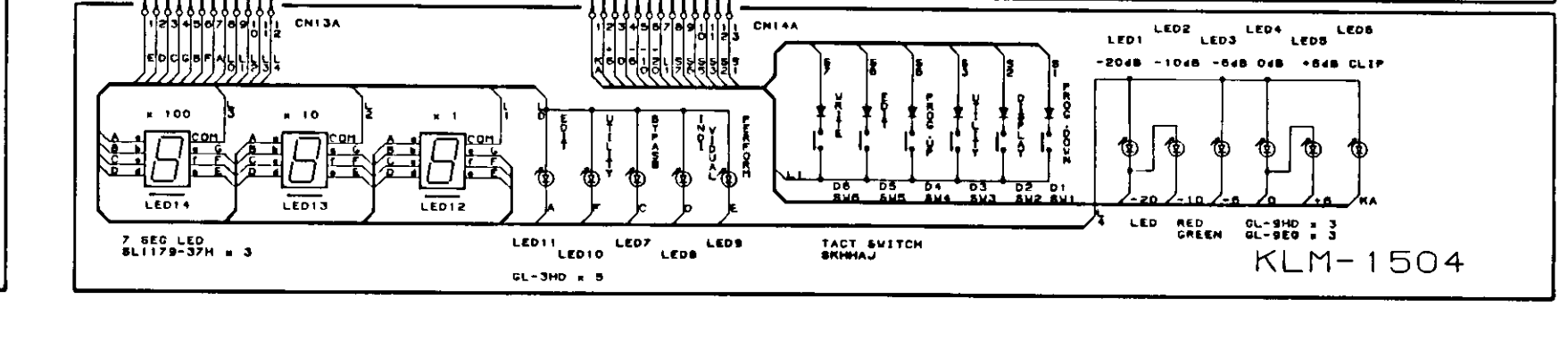
KLM-1506

MARK

1. R_x - FUSE RESISTOR
2. UNIT OF CHEMICAL CAPACITOR IS nF
3. NO NAME DIODE IS 1S813
4. NO VALUE CONDENSER IS 0.1 μF
5. ○ - 088308-101-088308-93FZ 102M 100 Δ
6. ○ - 088308-102-088308-93B 101M 100 Δ
7. △ - PNP DIGITAL TR 8N1A4H
8. △ - NPN DIGITAL TR 8A1A4H
9. △ - NPN DIGITAL TR 8A1L4H
10. △ - 88T-0280
11. △ - LC1 LC2 08K1100-08E22HVA2EA



KLM-1503



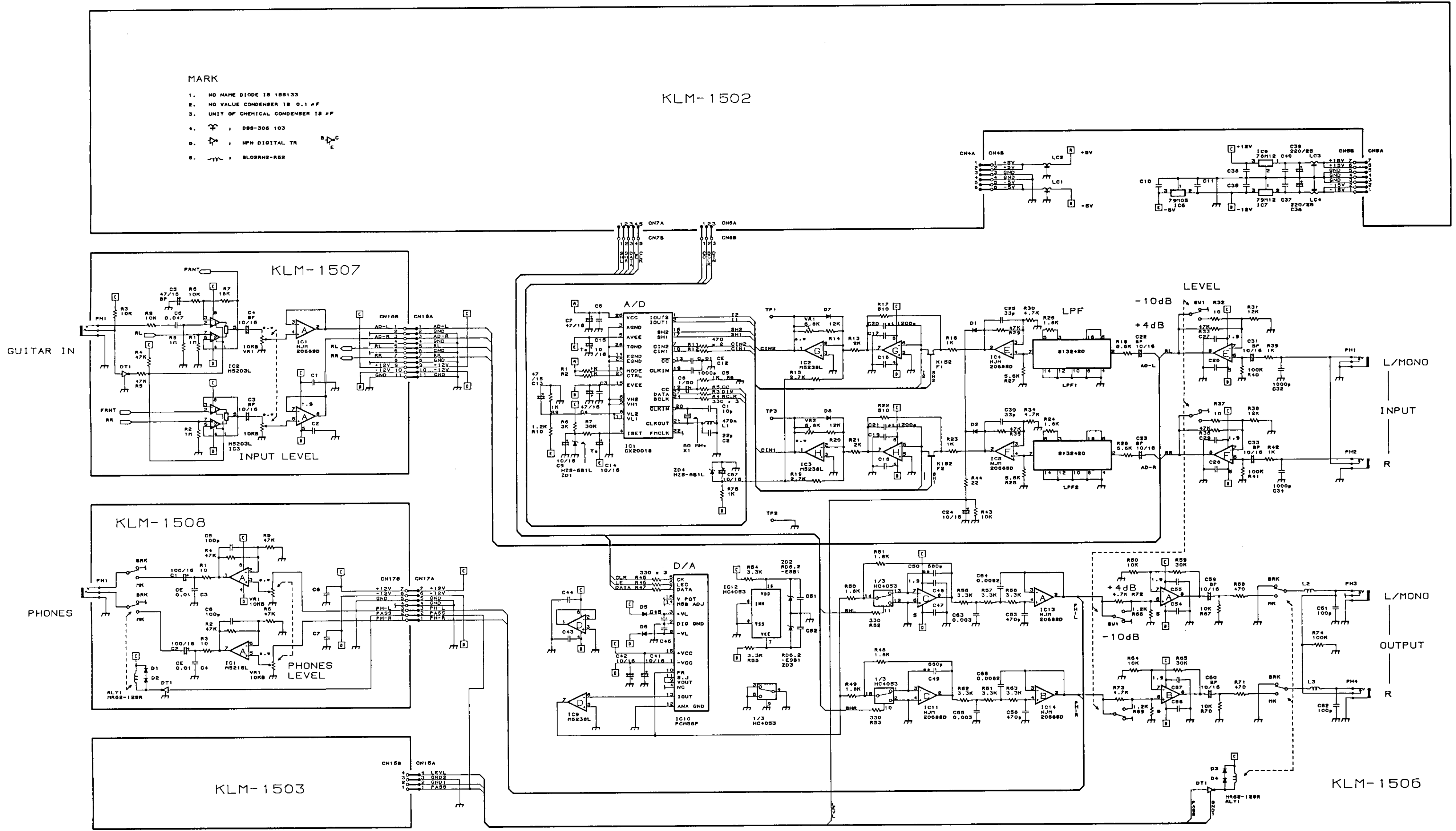
KLM-1504

KLM-1506-08

MARK

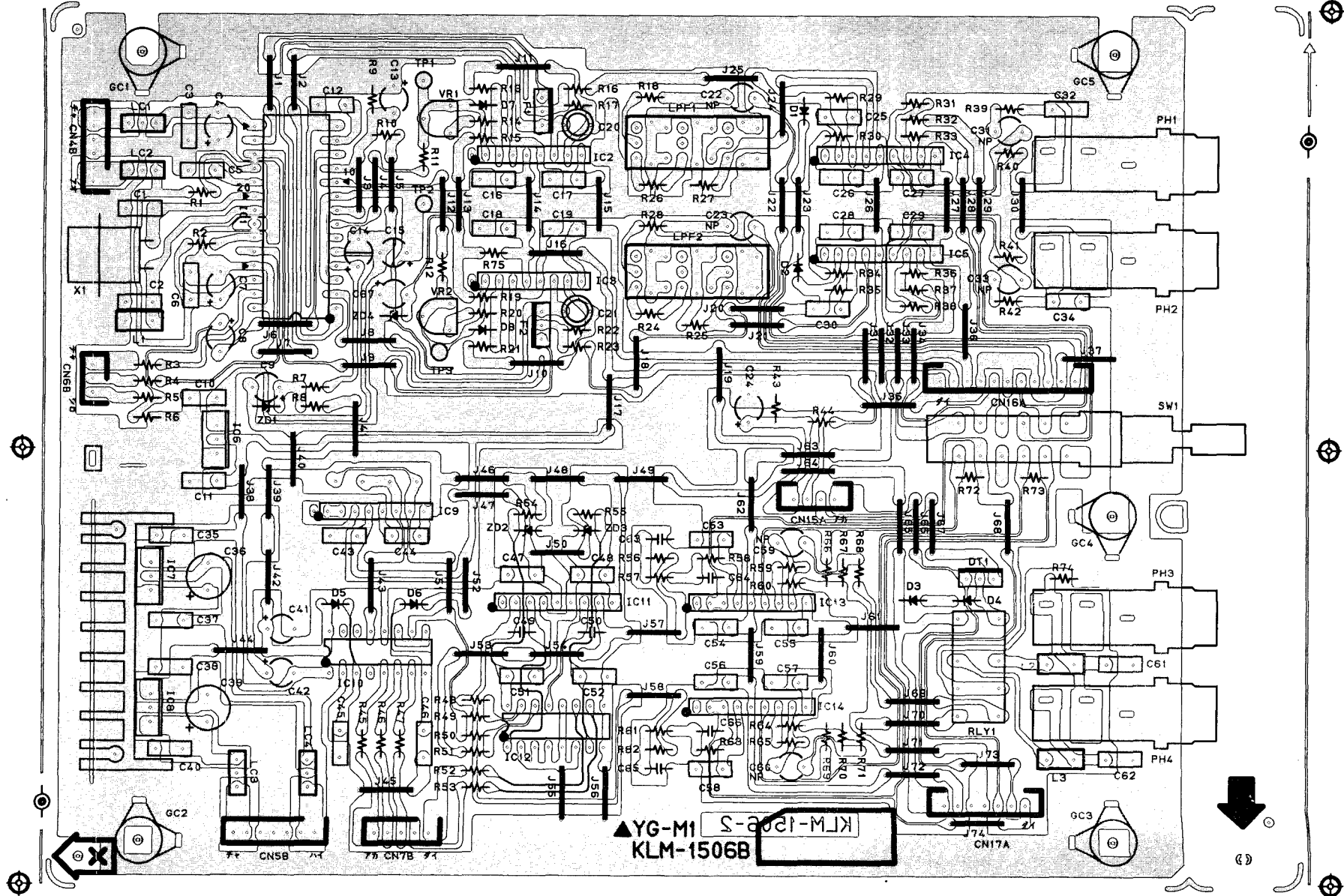
1. NO NAME DIODE IS 188133
2. NO VALUE CONDENSER IS 0.1 μ F
3. UNIT OF CHEMICAL CONDENSER IS μ F
4. : DSB-308 103
5. : MPN DIGITAL TR
6. : BLO2RH2-R52

KLM-1502

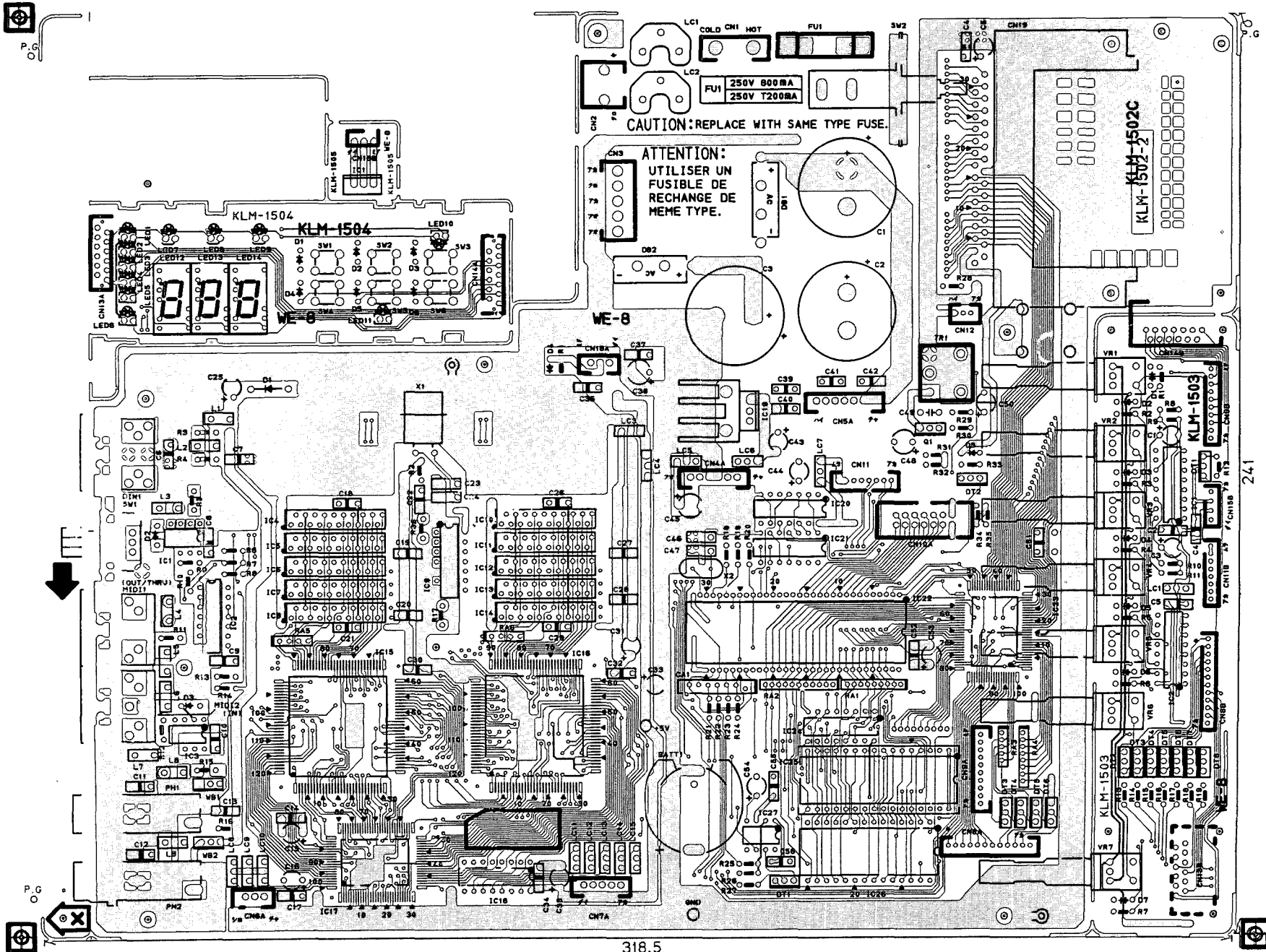


KLM-1506B

5. P.C. BOARDS



KLM-1502-05



5

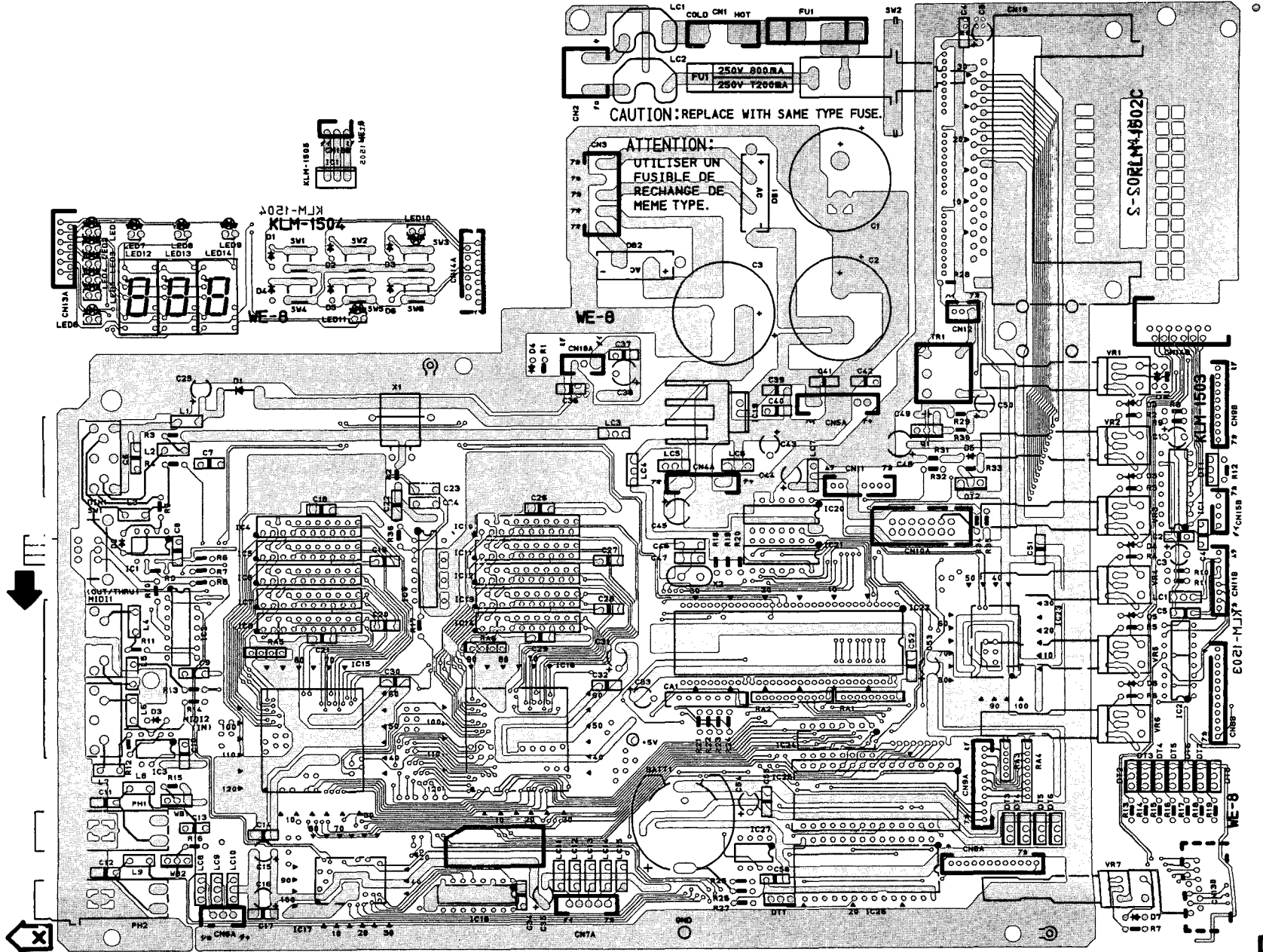
318.5

MOUNT PARTS SIDE

241

KLM-1502-05

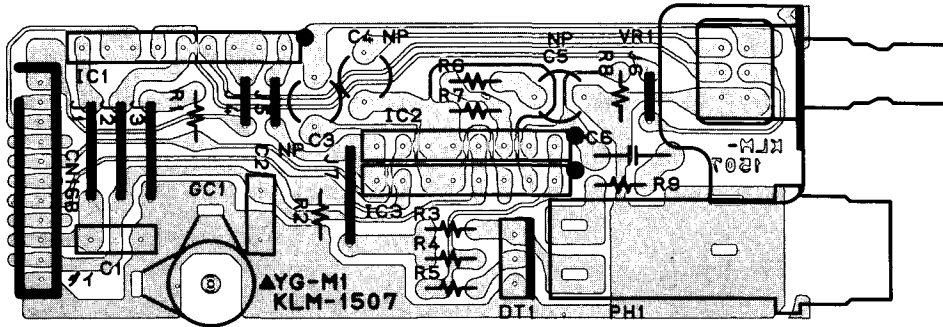
9



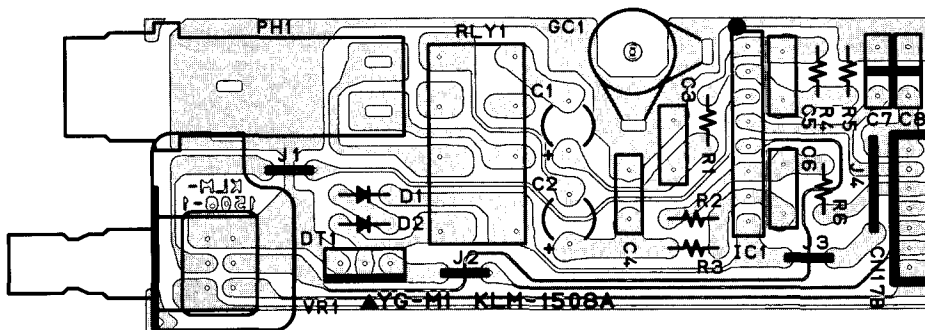
NO MOUNT PARTS SIDE



KLM-1507



KLM-1508



6. CIRCUIT EXPLANATION

1. The MPU section

The MPU uses UPD78C10 and processes the following. The port of the MPU are indicated in the parentheses.

- 1) The control of the LCD unit (PA5-7, PB0-7)

The LCD are controlled by using a part of the Port A and the Port B.

- 2) The bank change of the memory area (PA3, 4)

The bank of the memory and the I/O is changed by using a part of the Port A.

- 3) The I/O reset (PC6)

The MDE (MB87405) and the MDE I/F (MB620140) are reset.

- 4) The detection of the card (CDST)

The existence of the card are detected by using this port.

If the card is not inserted : HIGH
If the card is inserted : LOW

- 5) The multiplexer control (PC3, 4)

The multiplexer HC4052 (IC2) are controlled in the KLM-1503.

- 6) MIDI I/O (PC0, 1)

- 7) A/D

The A/D convertor in the MPU are used and the A/D conversion of the following data are carried out.

PEDAL/SW 1-2	(AN6,7)
CARD BATTERY	(AN3)
INTERNAL BATTERY	(AN2)
EDIT VR	(AN4)..... CHAIN/EFFECT. B. D. F VR
	(AN5)..... A. C. E VR

2. The MPU I/F section

The MPU I/F MB620140 is the LSI to be the interface of the MPU and each I/O and the main functions are as follows.

- 1) Address Latch (AD0-7)

This IC latches the lower 8 bit of the address bus of the MPU with the timing of the ALE terminal.

2) LED Control (LLO-3, LED1-7)

This IC receives the data from the MPU and puts the LED on.

3) Bank Change Input (P0-2)

This IC receives the bank change signal and controls the ROA 14 and each CE output.

4) SW Data Input (SW1-7)

This IC is the input port to transmit the SW data to the MPU.

5) Address Output (A0-7)

This IC transmits the latched time-division address bus.

6) CARD I/O (CAA, CAD)

The address bus for the card and the data bus for the card.

7) CE Output

Each memory, the CE output terminal for the I/O.

3. The MDE I/F section

The MDE I/F MB620140 is the LSI to be the interface between the A/D convertor and the D/A convertor. This also transmits and receives the remote signal for the FC6.

1) The interface with the A/D convertor (BCK, CC, DIN)

This IC converts the serial data of CX-20018 into the parallel data and transmits to the MDE0. The CC terminal transmits 37.1 KHz and the BCK transmits 1.188 MHz.

2) The interface with the D/A convertor (DATA0, 192FS, LRCK, BCLK)

This IC converts the parallel data from the MDE to the serial data and transmits to the digital filter PD0028.

3) The remote I/O (RX, TX)

When the data is received from the I/O terminal for the FC6, this IC transmits the interruption signal to the MPU.

7. CHECK AND ADJUSTMENT

Before you start the diagnostic test

If necessary data are memorized in the A2, please save the data into the RAM card before starting the test.

Starting the diagnostic test

Connect the MIDI cable to the MIDI IN and OUT of the rear panel.

Insert a RAM card (MCR-03) into the card slot.

When the power is turned on while " CHAIN/EFFECT " and " C " are being pressed, this diagnostic test (Self Test Program) starts.

The explanation of the operation switches on the diagnostic test

- " WRITE " switch : The check proceeds to the next.
- " ▲ " switch : The item proceeds to the next.
- " ▼ " switch : The item returns to the previous one.
- " BYPASS " switch : The diagnostic test mode returns to the normal mode.

Regarding the " PARAMETER INITIALIZE "

When the diagnostic test starts normally, the screen of the " PARAMETER INITIALIZE " is indicated.

PARAMETER INITIALIZE ? YES / NO

Press " YES " (E) if you would like to initialize the internal data of the A2 or press " NO " (F) if you don't want to do that.

1. INTERNAL CHECK

When the PARAMETER INITIALIZE is finished, the item proceeds to the INTERNAL CHECK automatically.

1) MIDI circuit check

The MIDI IN-OUT is checked.

When this check passes, the item proceeds to the next automatically.

When this check fails, all the LEDs go on and off and the letter " Err " is indicated in the LED display.

Then the following is indicated in the LCD.

< MIDI > OUT -- X --> IN

2) Remote circuit check

The remote terminal circuit is checked.
When this check passes, the item proceeds to the next automatically.

When this check fails, all the LEDs go on and off and the letter " Err " is indicated in the LED display.
Then the following is indicated in the LCD.

```
⟨ REMOTE ⟩  OUT -- × -- → IN
```

※ You need a short plug (DIN plug whose 1 pin and 4 pin, 3 pin and 5 pin are short-circuits). If the short plug is not available, press the " WRITE " SW and proceed to the next check.

3) Card battery check

The battery of the RAM card into the card slot is checked.
When this check passes, the item proceeds to the next automatically.
When this check fails, all the LEDs go on and off and the letter " Err " is indicated in the LED display.

Then, when no RAM card is inserted into the card slot or a ROM card is inserted into it, the following is indicated in the LCD.

```
⟨ CARD ⟩  WRITE / READ  xx
```

When the battery voltage of the RAM card is low, the following is indicated in the LCD.

```
⟨ CARD ⟩  CARD Battery Low  xx
```

4) Internal battery check

The battery voltage of the A2 is checked.
When this check passes, the item proceeds to the next automatically.
When this check fails, all the LEDs go on and off and the letter " Err " is indicated in the LED display.
Then the following is indicated in the LCD.

```
⟨ INT BATT ⟩  Internal Battery Low  xx
```

2. A/D LEVEL CONFIRMATION AND ADJUSTMENT

When the INTERNAL CHECK is finished, the item proceeds to the A/D LEVEL CONFIRMATION AND ADJUSTMENT automatically.

1) L ch A/D level confirmation and adjustment

〈 A/D LEVEL 〉 Lch Checking ..

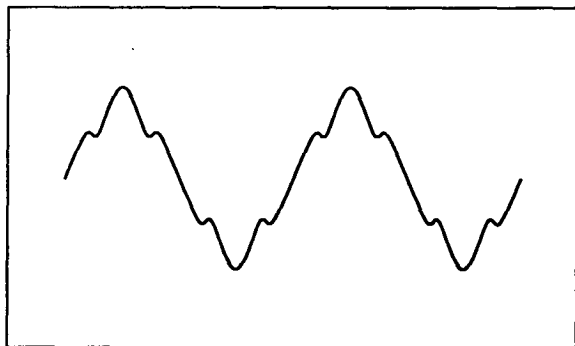
- (1) Input the sin wave of 1Vp-p 400Hz to the LINE IN L/MONO terminal of the rear panel.
- (2) Connect an oscilloscope to the OUTPUT L/MONO terminal of the rear panel and adjust the output waveform to 40mVp-p with the master VR of the front panel.
- (3) Confirm the output waveform transforms the normal sin wave.
If it is not so, adjust with the VR1 of KLM-1506.

When this check is finished, press the " WRITE " SW to proceed to the next check.

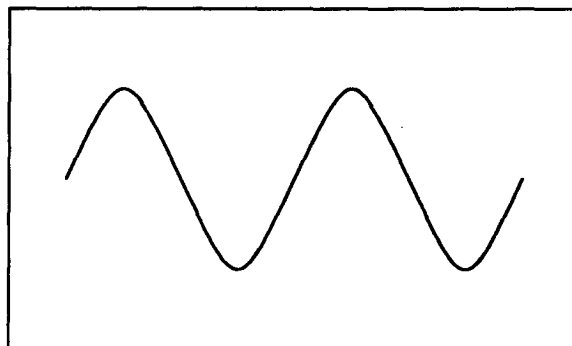
2) R ch A/D level confirmation and adjustment

〈 A/D LEVEL 〉 Rch Checking ..

- (1) Connect an oscilloscope to the OUTPUT R terminal of the rear panel and adjust the output waveform to 40mVp-p with the master VR of the front panel.
- (2) Confirm the output waveform transforms the normal sin wave.
If it is not so, adjust with the VR2 of KLM-1506.



NG



GOOD

※ If this adjustment is not its proper position, the noise will be much bigger.

3. LED, LCD, SW, D.F.E., AND PEDAL CHECKS

1) LED check

The LEDs of the front panel light automatically on this check.

< LED > Checking ..

The turn to light is as follows.

"UTILITY" → "PRAM EDIT" → "PERFORM" → "INDIVID" → "BYPASS" → 7 SEGMENT LED

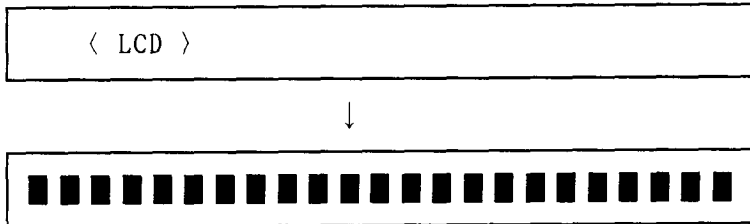
Confirm all the LEDs light.

When all the LEDs go out, the item proceeds to the next check automatically.

2) LCD check

When the "WRITE" SW is pressed once, all the dots of the LCD are indicated.

Confirm this.



When this check is finished, press the "WRITE" SW to proceed to the next check.

3) Panel SW check

Press the switch indicated in the LCD to check it.

(eg.) < PANEL SW > Push [WRITE]

The turn to press is as follows.

"WRITE" → "PARAM EDIT" → "▲" → "UTILITY" → "DISPLAY SELECT" → "▼"

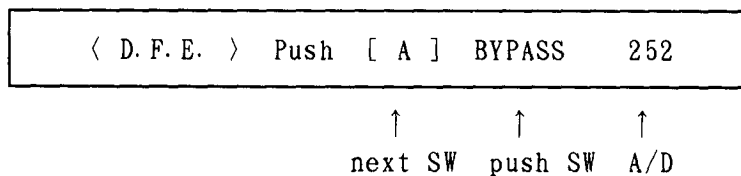
When this check is finished, the item proceeds to the next check automatically.

4) D. F. E. check

When the D. F. E. which is indicated in the LCD is pressed once, the name of the D. F. E. which is being pressed and the A/D value are indicated in the LCD.

Also, confirm the A/D value changes between 0 and 255 when this D. F. E. is turned.

(eg.)



When this check is finished, press the " WRITE " SW to proceed to the next check.

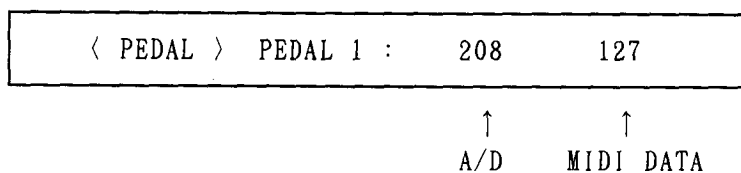
5) Pedal check

Connect the volume pedal KVP-001 to the PEDAL/SW 1 and 2 terminal of the rear panel. Set the slide VR of the KVP-001 to be 0.

(1) Pedal 1 check

Confirm the A/D value changes between 0 and 255, the MIDI data changes between 0 and 127 when the KVP-001 is operated at the condition that the letter " PEDAL 1 " is indicated in the LCD.

(e. g)



When this check is finished, press the " WRITE " SW to proceed to the next check.

(2) Pedal 2 check

Check as well as (1).

When this check is finished, press the " WRITE " SW to proceed to the next check.

4. MDE CHECK

Connect an oscilloscope to the OUTPUT L/MONO terminal of the rear panel.

1) MDE 1 (IC15) check

< MDE > MDE1 Checking ..

The waveform which is oscillated only from the MDE 1 (IC15) internally is transmitted.

Confirm that the following waveform can be monitored on the oscilloscope.

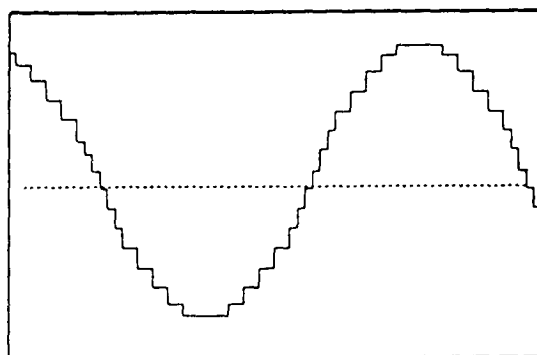


Fig. 1 MDE Test Waveform

When this check is finished, press the " WRITE " SW to proceed to the next check.

2) MDE 2 (IC16) check

< MDE > MDE0 Checking ..

Check as well as 2).

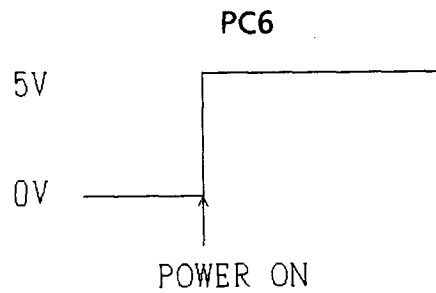
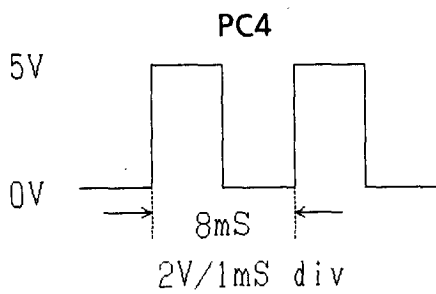
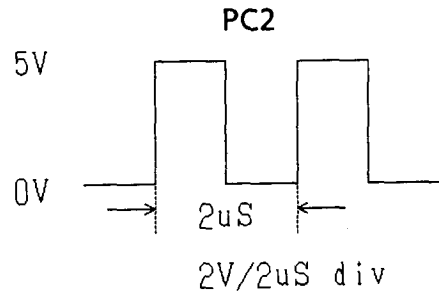
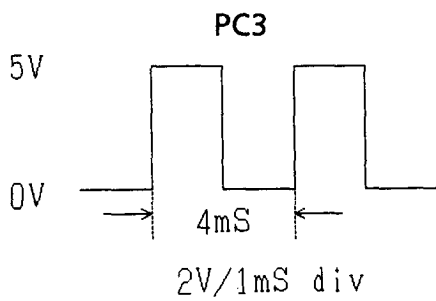
When this check is finished, press the D.F.E. " BYPASS " SW to return to the normal mode.

※ Regarding the check item of the diagnostic test

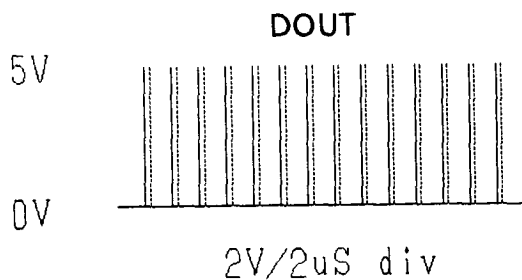
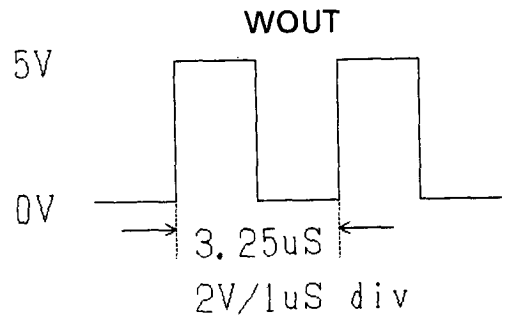
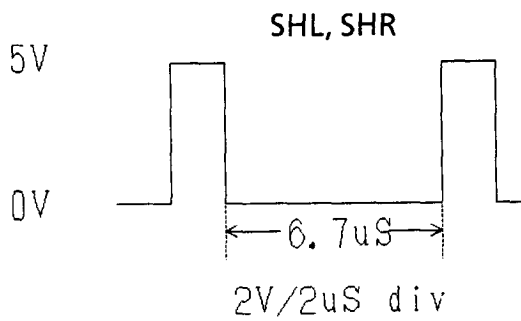
We don't mention anything about the checks after the MDE check because they are for the inspection at the factory and because an audio analyzer etc. are needed.

8. IC CHECK POINT

UPD78C10CW (MPU)

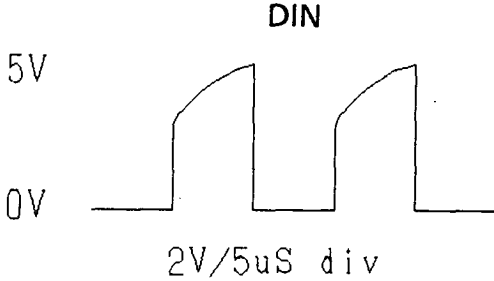
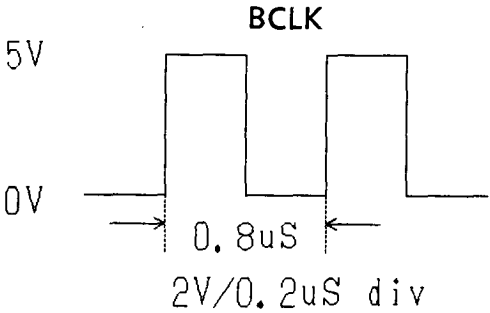
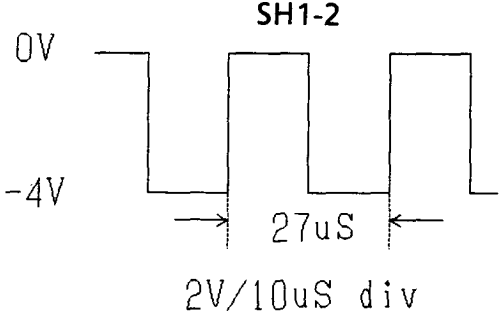
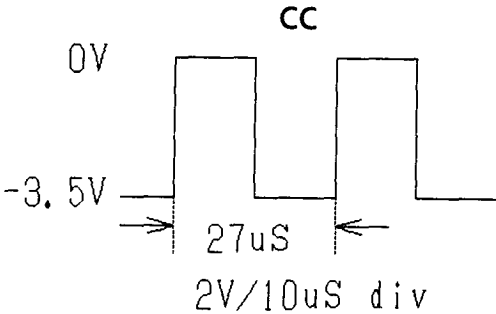


PD0029 (D. FILTER)



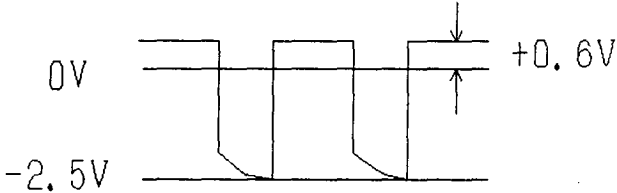
When a sound is received,
the pulse changes.

CX20018 (ADC)



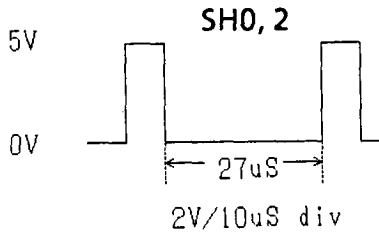
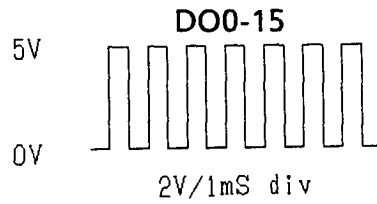
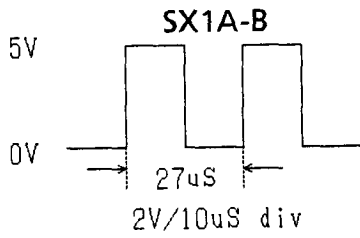
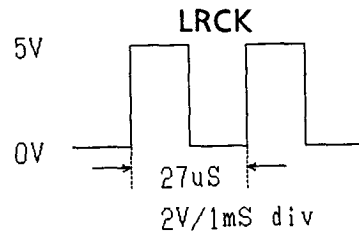
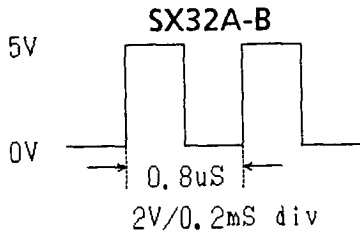
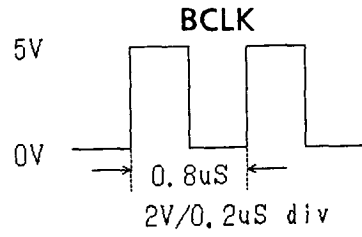
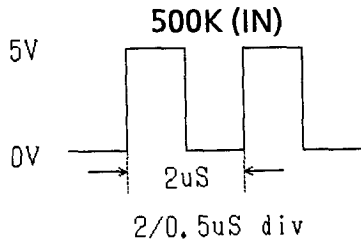
When a sound is received, the pulse changes.

TEST POINT (TPI. TP2)



When the level of this waveform has the large difference, the noise is generated. In this case, please adjust with the VR 1 and 2.

MB620140 (MDE I/F)

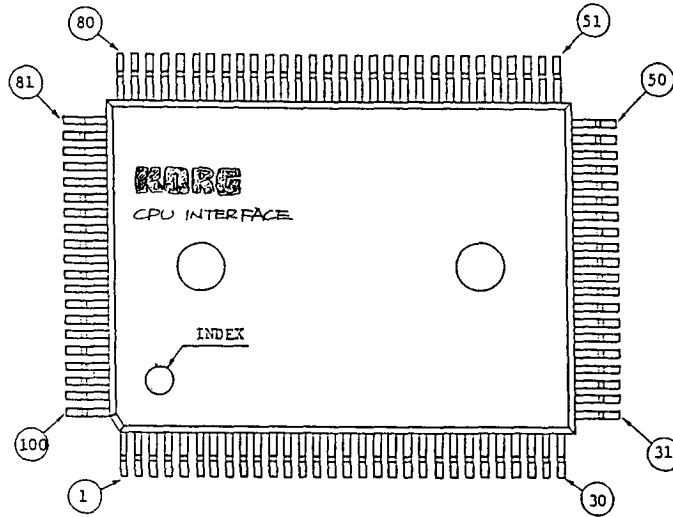


When the internal noise gate works, the data is fixed.

9. REFERENCE DATA

MB620140 (CPU-INTERFACE)

PIN ASSIGNMENT



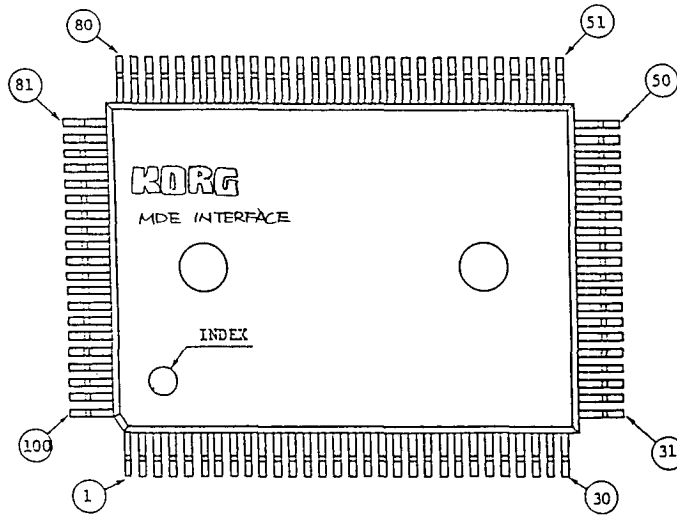
MB620140 (CPU-INTERFACE)

PIN FUNCTION

NO.	I/O	PIN NAME	NO.	I/O	PIN NAME	NO.	I/O	PIN NAME	NO.	I/O	PIN NAME
1	I	MODE0	26	I/O	CAD7	51	I	ALE	76	0	A5
2	I	MODE1	27	I/O	CAD6	52	I	A8	77	0	A6
3	-	UDD	28	-	UDD	53	-	UDD	78	-	UDD
4	-	USS	29	-	USS	54	-	USS	79	-	USS
5	I	SW0	30	I/O	CAD5	55	I	A9	80	0	A7
6	I	SW1	31	I/O	CAD4	56	I	A10	81	0	ROCE
7	I	SW2	32	I/O	CAD3	57	I	A11	82	0	ROA14
8	I	SW3	33	I/O	CAD2	58	I	A12	83	0	RACE
9	I	SW4	34	I/O	CAD1	59	I	A13	84	0	AUXCE
10	I	SW5	35	I/O	CAD0	60	I	A14	85	0	MDE0CE
11	I	SW6	36	0	CAA0	61	I	A15	86	0	MDE1CE
12	I	SW7	37	0	CAA1	62	I/O	AD7	87	0	RECE
13	-	NC	38	0	CAA2	63	I/O	AD6	88	0	LED0
14	I	RST	39	0	CAA3	64	I/O	AD5	89	0	LED1
15	-	USS	40	-	USS	65	-	USS	90	-	USS
16	-	NC	41	0	CAA4	66	I/O	AD4	91	0	LED2
17	0	CAWE	42	0	CAA5	67	I/O	AD3	92	0	LED3
18	0	CAA14	43	0	CAA6	68	I/O	AD2	93	0	LED4
19	0	CAA13	44	0	CAA7	69	I/O	AD1	94	0	LED5
20	0	CAA8	45	0	CAA12	70	I/O	AD0	95	0	LED6
21	0	CAA9	46	I	P2	71	0	A0	96	0	LED7
22	0	CAA11	47	I	P1	72	0	A1	97	0	LL0
23	0	CA0E	48	I	P0	73	0	A2	98	0	LL1
24	0	CAA10	49	I	RD	74	0	A3	99	0	LL2
25	0	CACE	50	I	WR	75	0	A4	100	0	LL3

MB620140 (MDE INTERFACE)

PIN ASSIGNMENT



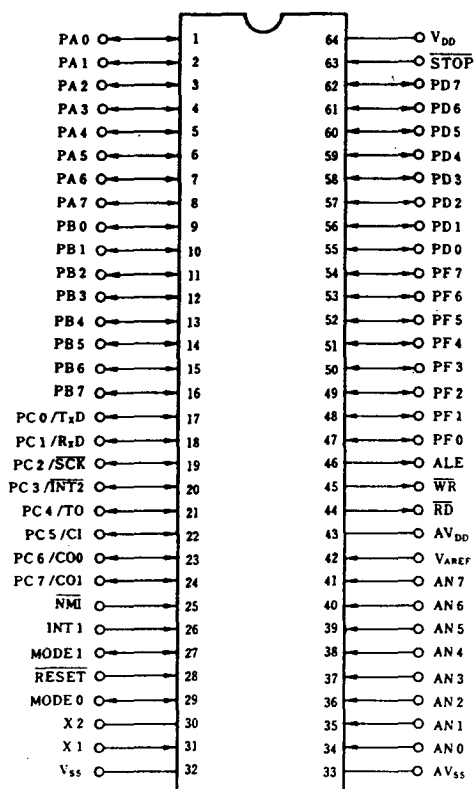
MB620140 (MDE INTERFACE)

PIN FUNCTION

NO.	I/O	PIN NAME	NO.	I/O	PIN NAME	NO.	I/O	PIN NAME	NO.	I/O	PIN NAME
1	I	MODE0	26	0	LRCK	51	I	SX1A	76	I	RX
2	I	MODE1	27	0	192FS	52	I	SX32A	77	0	TX
3	-	UDD	28	-	UDD	53	-	UDD	78	-	UDD
4	-	USS	29	-	USS	54	-	USS	79	-	USS
5	I	G0	30	0	ERR0	55	I	G12	80	0	256FSX
6	I	G1	31	0	ERR1	56	I	XTL	81	I	D115
7	I	G2	32	0	D015	57	I	G13	82	I	D114
8	I	G3	33	0	D014	58	I	SH1	83	I	D113
9	I	G4	34	0	D013	59	I	SH3	84	I	D112
10	I	G5	35	0	D012	60	I	SX1B	85	I	D111
11	I	G6	36	0	D011	61	I	SX32B	86	I	D110
12	I	G7	37	0	D010	62	I/O	D7	87	I	D19
13	-	NC	38	0	D09	63	I/O	D6	88	I	D18
14	I	RST	39	0	D08	64	I/O	D5	89	I	D17
15	-	USS	40	-	USS	65	-	USS	90	-	USS
16	-	NC	41	0	D07	66	I/O	D4	91	I	D10
17	I	G8	42	0	D06	67	I/O	D3	92	I	D16
18	0	INT	43	0	D05	68	I/O	D2	93	I	D11
19	I	CE	44	0	D04	69	I/O	D1	94	I	D15
20	I	G9	45	0	D03	70	I/O	D0	95	I	D12
21	I	G10	46	0	D02	71	I	A0	96	I	D14
22	I	G11	47	0	D01	72	0	500K	97	I	D13
23	0	DATA1	48	0	D00	73	0	256FS	98	I	D1N
24	0	BCLK	49	I	RD	74	I	SH2	99	0	BCK
25	0	DATAB	50	I	WR	75	I	SH0	100	0	CC

MPU (UPD78C10ACW)

PIN ASSIGNMENT



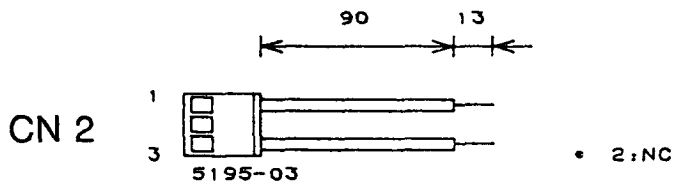
MPU (UPD78C10ACW)

PIN FUNCTION

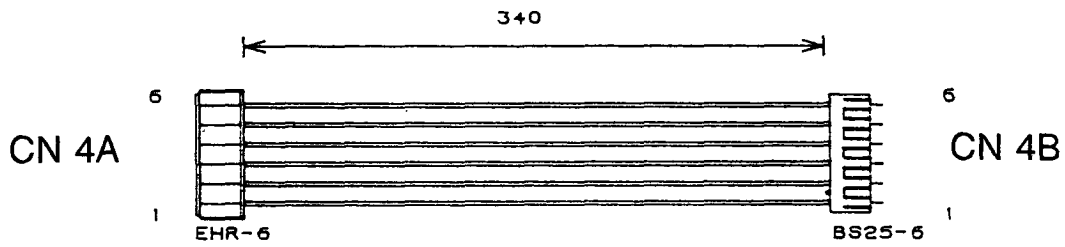
PIN NAME	I/O	FUNCTION
PA7-0	I/O	Port A
PB7-0	I/O	Port B
PC0	O	Transmit Data
PC1	I	Receive Data
PC2	O	Serial Clock
PC3	I	Interrupt Request
PC4	O	Timer Output
PC5	I	Counter Input
PC6,7	O	Counter Outout 0,1
AD7-0	I/O	Address/Data Bus
AB15-8	O	Address Bus
WR	O	Write Strobe
RD	O	Read Strobe
ALE	O	Address Latch Enable
MODE0,1	I/O	Mode

PIN NAME	I/O	FUNCTION
NMI	I	Non-Maskable Interrupt
INT1	I	Interrupt Request
AN7-0	I	Analog Input
VAREF	-	Reference Voltage
AVDD	-	Analog VDD
AVSS	-	Analog VSS
X1, X2	-	Crystal
RESET	I	Reset
STOP	I	Stop
VDD	-	VDD
VSS	-	VSS

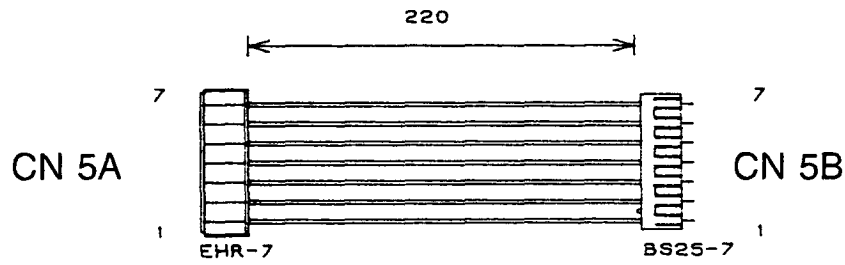
FOR HARNESSSES



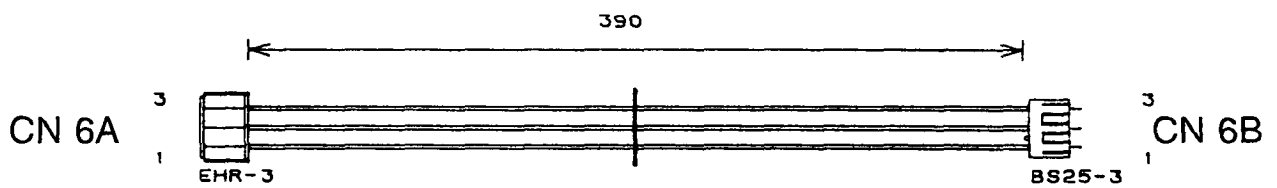
HNS-1556



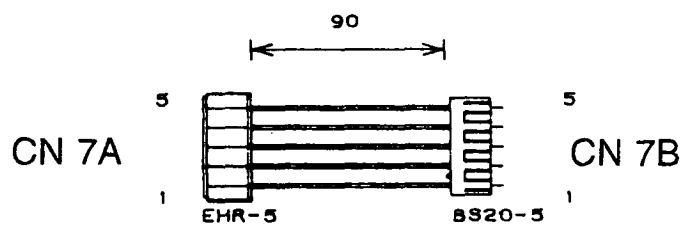
HNS-1557



HNS-1558

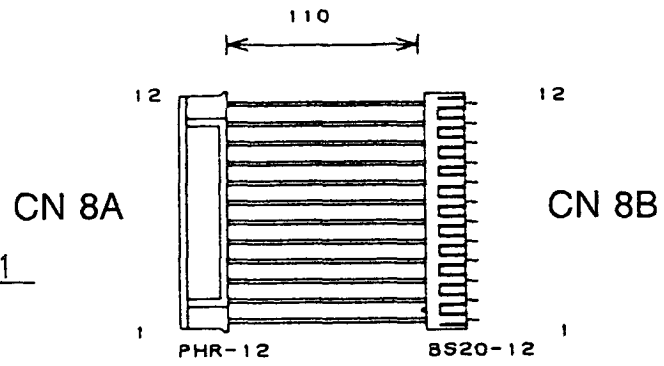


HNS-1559

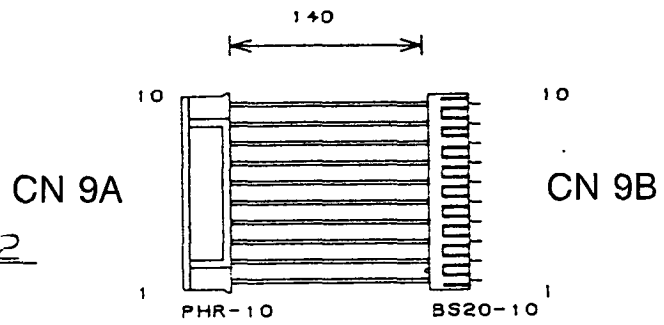


HNS-1560

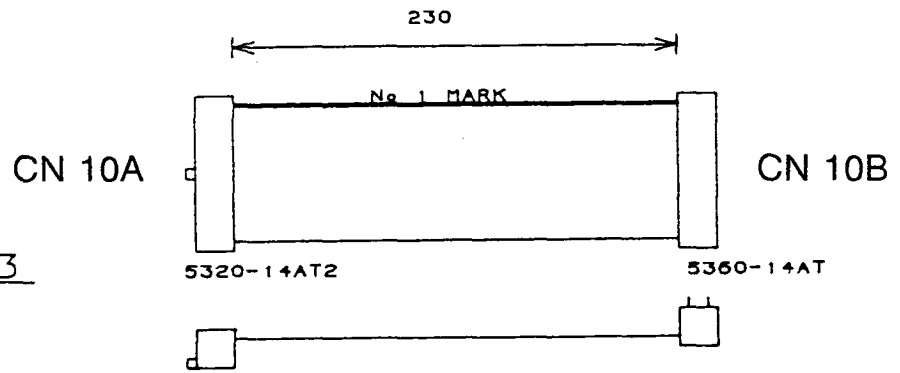
HNS-1561



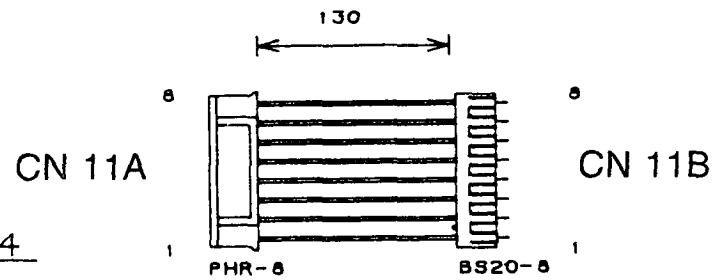
HNS-1562

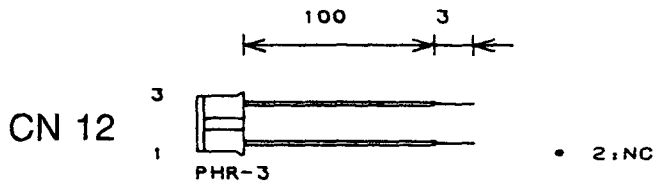


HNS-1563

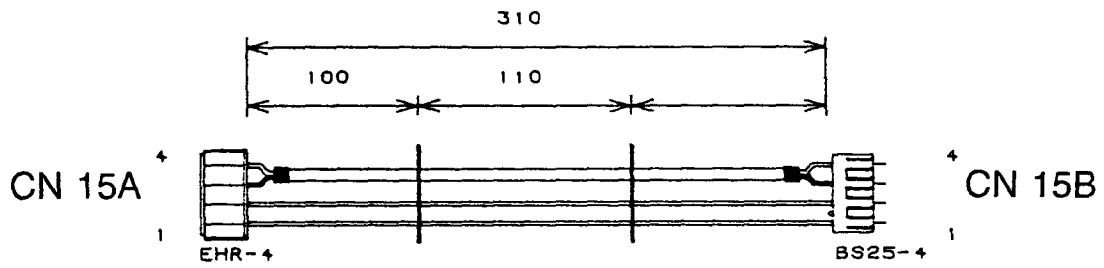


HNS-1564

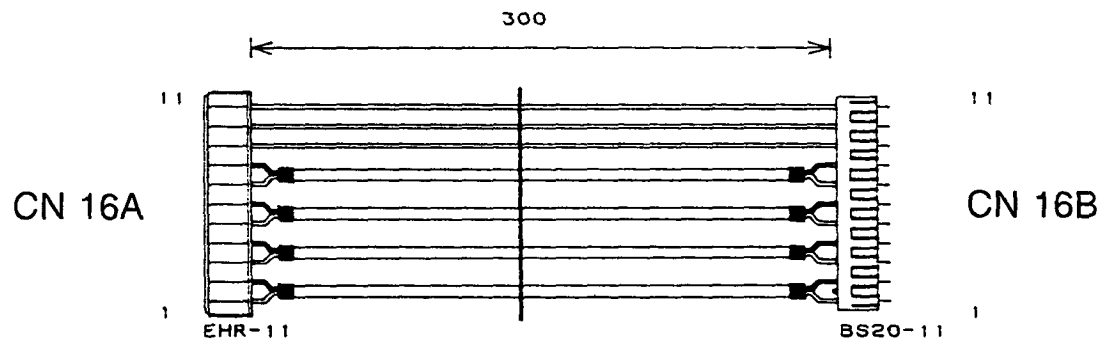




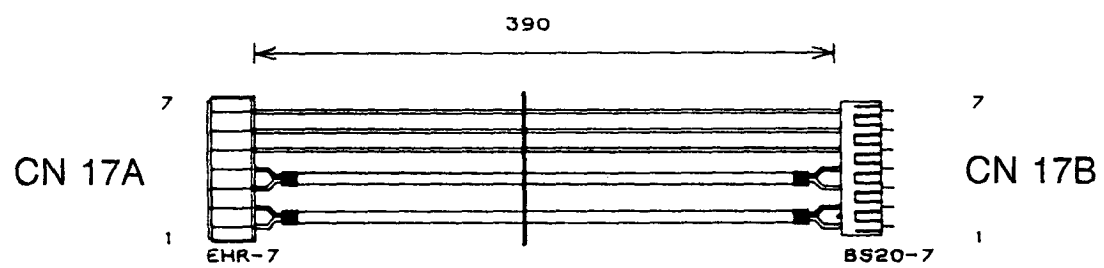
HNS-1565



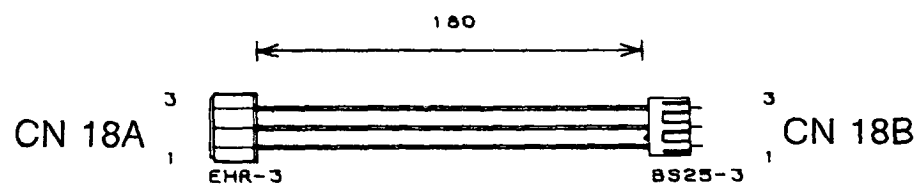
HNS-1566



HNS-1567



HNS-1568



HNS-1569

10. PARTS LIST

PARTS CODE	PARTS NAME SPECIFICATIONS	P. C. BOARD	IDENTIFICATION NO. FUNCTION	Q' TY
P. C. BOARD ASSEMBLE				
001150200	KLM-1502-05	1502-5		1
001150600	KLM-1506	1506		1
001150700	KLM-1507/08	1507/8		1
BLOCK RESISTORS				
139010001	RGLD2Y220J 220HM	1502-5		2
139010002	RGLE10x103J 10K	1502-5		1
139010003	RGLE4x103J 10K	1502-5		1
139010004	RGLE7x103J 10K	1502-5		1
139010005	RGLE8x103J 10K	1502-5		1
LC FILTER				
219051300	S132420	1506		2
AC LINE FILTER				
219051500	DSR1100-56E222MVA2	1502-5		2
EMI FILTERS				
219401000	DSS306-93FZ103N100	1502-5		6
		1506		4
219401100	DSS306-93B101M100	1502-5		8
BLOCK CAPACITOR				
248025410	50V 100PF x 6	1502-5		1
PPCs				
260002547	100V 0.047UF	1507-8		1
260003368	100V 680PF	1506		2
TRANSISTORS				
304020070	2SC2785	1502-5		1
304020100	BA1A4M-T	1502-5		7
		1506		1
		1507/8		1
304020110	BN1A4M-T	1502-5		6
304020220	BA1L4M-T	1502-5		1

PARTS CODE	PARTS NAME SPECIFICATIONS	P. C. BOARD	IDENTIFICATION NO. FUNCTION	Q' TY
FET				
306000600	2SK-152-3	1506		2
DIODES				
310002100	SR1M-2	1502-5		1
314001300	1SS-133	1502-5		17
		1506		8
BRIDGE DIODE				
310011000	KBL02L-6176	1502-5		2
LEDs				
312007800	GL3HD8	1502-5		5
312008200	SL-1179-37H (RED)	1502-5		3
312008700	GL-9HD22	1502-5		3
312008800	GL-9EG22	1502-5		3
LCD				
313001700	LU3138 40 x 1	M. PART		1
ZENER DIODES				
314024300	HZS-6B1L-TD	1506		2
314024400	RD6.2ESB1-T1	1506		2
DOUBLE DIODE				
315000400	MC932-T12	1502-5		2
ICs				
320001068	UPD74HC04C	1502-5		1
320001095	UPD74HC174C	1502-5		1
320001097	UPD74HC04C	1502-5		2
320001101	UPD74HC08C	1502-5		1
320001128	UPD43256C-15L	1502-5	SRAM	1
320001151	UPD74HC4053	1506		1
320001193	UPD78C10ACW	1502-5	CPU	1
320001269	UPD74HC4052C	1502-5		1
320009057	NJM7805FA	1502-5		1

PARTS CODE	PARTS NAME SPECIFICATIONS	P. C. BOARD	IDENTIFICATION NO. FUNCTION	Q' TY
320009078	NJM78M12FA	1506		1
320009079	NJM79M12FA	1506		1
320009080	NJM79M05FA	1502-5		1
		1506		1
320009085	NJM2068SD	1506		5
		1507/8		1
320010003	CX20018	1506	A/D CONVERTER	1
320011026	M5216L	1507/8		1
320011076	M5238L	1506		3
320011113	M5M4464AL-10	1502-5	DRAM	10
320011128	M62021P	1502-5	RESET	1
320011129	M5203L	1507/8		2
320012052	MB87405PF	1502-5	MDE	2
320012064	MB620140PF	1502-5	CPU(or MDE) I/F	2
320012081	MBM27C1000-20Z-G	1502-5	ROM	1
320013034	IR2E19	1502-5	LED DRIVER	1
320016001	PD0029	1502-5	DIGITAL FILTER	1
320036004	PCM56P	1506	D/A CONVERTER	1
PHOTO COUPLER				
330001400	PC-910K	1502-5		2
COIL				
334000200	XTR47MA 0.47UH	1506		1
SB COIL				
334000500	SBT-0260TF	1502-5		9
CRYSTAL OSCILLATORS				
335005700	HC-49/U 60MHz	1506		1
335005800	AT-49 15MHz	1502-5		1
335005900	HC-49/U 38MHz	1502-5		1
SEMI FIXED VR				
350002268	RH0615C 6.8K	1506		2
VRs				
362005300	10KB x 2	1507/8		2
362005400	10KB	1502-5		7

PARTS CODE	PARTS NAME SPECIFICATIONS	P. C. BOARD	IDENTIFICATION NO. FUNCTION	Q' TY
SLIDE SW				
373005300	SLS-25-2022-1	1502-5		1
POWER SW				
375007800	ESB-8213V	1502-5		1
TACT SW				
375008500	SKHHAJ	1502-5		6
PUSH SW				
375010200	SPUL19265A	1506		1
POWER TRANSFORMER				
400011700	TC-031	M. PRT		1
FERRITE BEADS				
402002300	BLO2RN2-R62	1507/8		2
		1506		2
402002400	NEL-D32-46	1502-5		1
RELAY				
403001500	MR62-12SR	1506		1
DIN JACKS				
454005400	YKF51-5008	1502-5		2
454006700	YKF51-5014A	1502-5		1
PHONE JACKS				
454007900	YKB21-5176	1506		4
454008000	YKB21-5138	1502-5		2
		1507/8		2
FUSES				
464011901	250V 0.8A UL	M. PRT	117CN 117US	1 1

PARTS CODE	PARTS NAME SPECIFICATIONS	P. C. BOARD	IDENTIFICATION NO. FUNCTION	Q' TY
464011901	250V 0.8A UL	M. PRT	117EX	1
			100JP	1
464061301	250V T200MA	M. PRT	220GE	1
			240GE	1
			220SE	1
			220SC	1
			220WG	1
			240AU	1
			240UK	1
			220FR	1
			240AF	1
CONNECTORS				
471050500	TOP B5P-VH	1502-5		1
471060300	TOP B3B-EH	1502-5		2
471060400	TOP B4B-EH	1506		1
471060500	TOP B5B-EH	1502-5		1
471060600	TOP B6B-EH	1502-5		1
471060700	TOP B7B-EH	1502-5		1
		1506		1
471061100	B11B-EH	1506		1
471070300	TOP B3B-PH	1502-5		1
471070800	B8B-PH	1502-5		1
471071000	TOP B10B-PH	1502-5		1
471071200	TOP B12B-PH	1502-5		1
471090200	TOP 5096-02C	1502-5		1
BC CONNECTOR				
474009900	L-32	1502-5		1
CARD FIT CONNECTORS				
474012300	ZC-112	1502-5		1
474012400	ZC-113	1502-5		1
SMCD CONNECTORS				
474012500	FC-12 (1.6)	1502-5		1
474012600	FC-13 (1.6)	1502-5		1
LV CONNECTOR				
474012700	B2P-LV-TN	1502-5		1

PARTS CODE	PARTS NAME SPECIFICATIONS	P. C. BOARD	IDENTIFICATION NO. FUNCTION	Q' TY
HEADER				
474014702	14P 5332-14T2	1502-5		1
HARNESSES				
475001556	HNS-1556	M. PRT		1
475001557	HNS-1557	1506	BOARD IN	1
475001558	HNS-1558	1506	BOARD IN	1
475001559	HNS-1559	1506	BOARD IN	1
475001560	HNS-1560	1506	BOARD IN	1
475001561	HNS-1561	1502-5	BOARD IN	1
475001562	HNS-1562	1502-5	BOARD IN	1
475001563	HNS-1563	M. PRT		1
475001564	HNS-1564	1502-5	BOARD IN	1
475001565	HNS-1565	M. PRT		1
475001566	HNS-1566	1502-5	BOARD IN	1
475001567	HNS-1567	1507/8	BOARD IN	1
475001568	HNS-1568	1507/8	BOARD IN	1
475001569	HNS-1569	1502-5	BOARD IN	1
IC SOCKET				
480001324	32P D1CF-32CS-E	1502-5		1
FUSE HOLDER				
515002300	S-N5057 #01	1502-5		2
LITHIC BATTERY				
520001700	CR2032	M. PRT		1
BUSHINGS				
540000300	SR-4K-4	M. PRT	117EX	1
540000400	SR-5P-4	M. PRT	240AU	1
540000500	SR-6W-1	M. PRT	220SE	1
			220FR	1
			220SC	1
			220WG	1
			220GE	1
			240AF	1
			240GE	1
			240UK	1

PARTS CODE	PARTS NAME SPECIFICATIONS	P. C. BOARD	IDENTIFICATION NO. FUNCTION	Q' TY
540000501	SR-6N3-4	M. PRT	117US	1
			117CN	1
540016900	SR-5M-3	M. PRT	100JP	1
TEST PINS				
540007100	LC-2-G YELLOW	1506		2
540011901	LC-2-G	1506		1
SMCD HARNESSSES				
545020310	12x140ESx10	1502-5		1
545020320	12x340ESx10	1502-5		1
HEAT SINKS				
560005500	WSD-25-BS-T	1506		1
560005700	KOC-C40745	M. PRT		1
560006900	MT-25-BS-T	1502-5		1
LED SPACERS				
575014100	L=4.5mm	1502-5		6
575014600	LS-15-4 L=4mm	1502-5		5
AC CORDS				
600000301	CLASS1 (SU429-58)	M. PRT	220WG	1
			240GE	1
			220SC	1
			220GE	1
			240UK	1
600000401	SAA (SU428-58)	M. PRT	240AU	1
600000501	BS PLUG (SU431A58)	M. PRT	240AF	1
600000901	SEV (SU430-58)	M. PRT	220SE	1
600001301	KP-4819D	M. PRT	220FR	1
600002000	SJT(SU338-56)	M. PRT	117CN	1
			117US	1
600003900	SPT-2	M. PRT	117EX	1
600004100	DP-127-J06	M. PRT	100JP	1
POWER SW KNOB				
620018200		M. PRT		1

PARTS CODE	PARTS NAME SPECIFICATIONS	P. C. BOARD	IDENTIFICATION NO. FUNCTION	Q' TY
PUSH SW KNOB				
620020800		M. PRT		1
KNOB				
620020900		M. PRT		9
ISOLATION SHEET				
630007500		M. PRT		1
COPPER SHEET				
630010100		M. PRT	117US 220WG	1 1
LCD WINDOW				
630014200		M. PRT		1
CARD GUIDE				
640088500		M. PRT		1
LOWER CASE				
640096500		M. PRT		1
COVER				
640096600		M. PRT		1
PSW SUPPORT				
640096700		1502-5		1
PSW BAR				
640096800		M. PRT		1
F10 PLATE				
640096900		M. PRT		1

PARTS CODE	PARTS NAME SPECIFICATIONS	P. C. BOARD	IDENTIFICATION NO. FUNCTION	Q' TY
FRONT PANEL				
641018300		M. PRT		1
REAR PANEL				
641018500		M. PRT		1
VR SHIELD				
641019900		1507/8		2
RACK MOUNT ADAPTOR				
641020000		M. PRT		2
SPRING PLATE				
644003000		M. PRT	117US 220WG	3 3
PSW FRAME				
646030200		M. PRT		1
CT HOOD				
646030500		M. PRT		1
BATTERY HOLDER				
649007400		1502-5		1

VAROITUS

Paristo voi räjähtää, jos se on virheellisesti asennettu.
Vaihda paristo ainoastaan laitevalmistajan suosittelemaan tyyppiin. Hävitä käytetty paristo valmistajan ohjeiden mukaisesti.

ADVARSEL!

Lithiumbatteri – Eksplosionsfare ved fejlagtig handtering.
Udskiftning må kun ske med batteri af samme fabrikat og type.
Levér det brugte batteri tilbage til leverand ø ren.

ADVERSEL

Lithiumbatteri – Eksplosjonsfare.
Ved utskifting benyttes kun batteri som anbefalt av apparatfabrikanten.
Brukt batteri returneres apparatleverand ø ren.

VARNING

Explosionsfara vid felaktigt batteribyte.
Använd samma batterityp eller en ekvivalent typ som rekommenderas av apparattillverkaren.
Kassera använt batteri enligt fabrikantens instruktion.

CAUTION

Danger of explosion if battery is incorrectly replaced .
Replace only with the same or equivalent type recommended by the equipment manufacturer .
Discard used batteries according to manufacturer 's instructions.

KORG

KORG INC. 15-12, Shimotakaido 1-chome, Suginami-ku, Tokyo 168

© KORG INC. 1991

0301 CEH. PRINTED IN JAPAN ①