

SERVICE MANUAL

TR-Rack

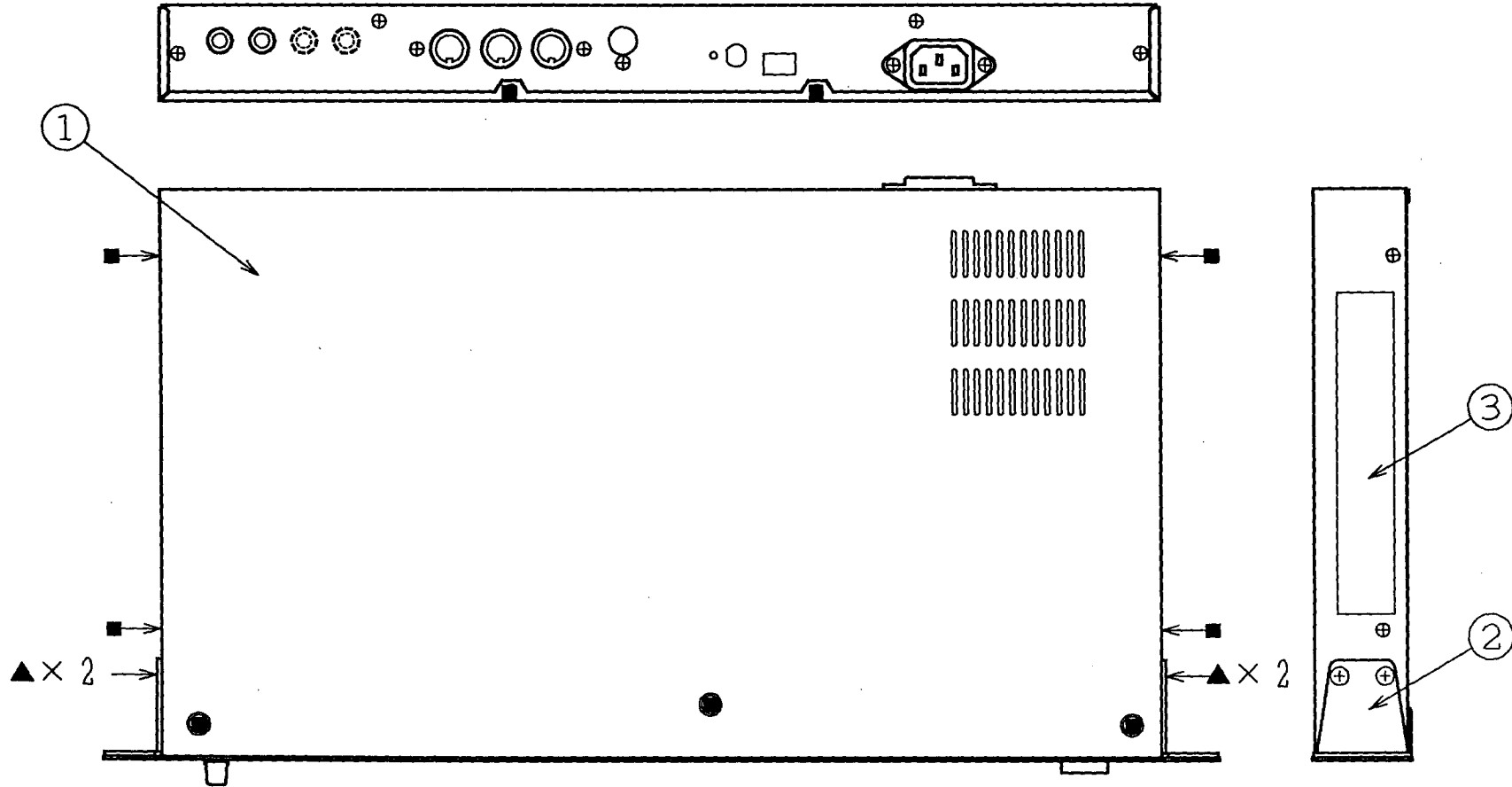
CONTENTS

1. DISASSEMBLY	1
2. BLOCK DIAGRAM	4-a
3. CIRCUIT DIAGRAMS	4-b
4. PARTS LIST	5

KORG

DISASSEMBLY (1/3)

1. DISASSEMBLY



NO	PART CODE	PART NAME	Q'ty
1	641028100	X-144 COVER	1
2	641041448	X-621/622 RACK MOUNT ANGLE	2
3	-----	SERVICE MAN CAUTION 3	1

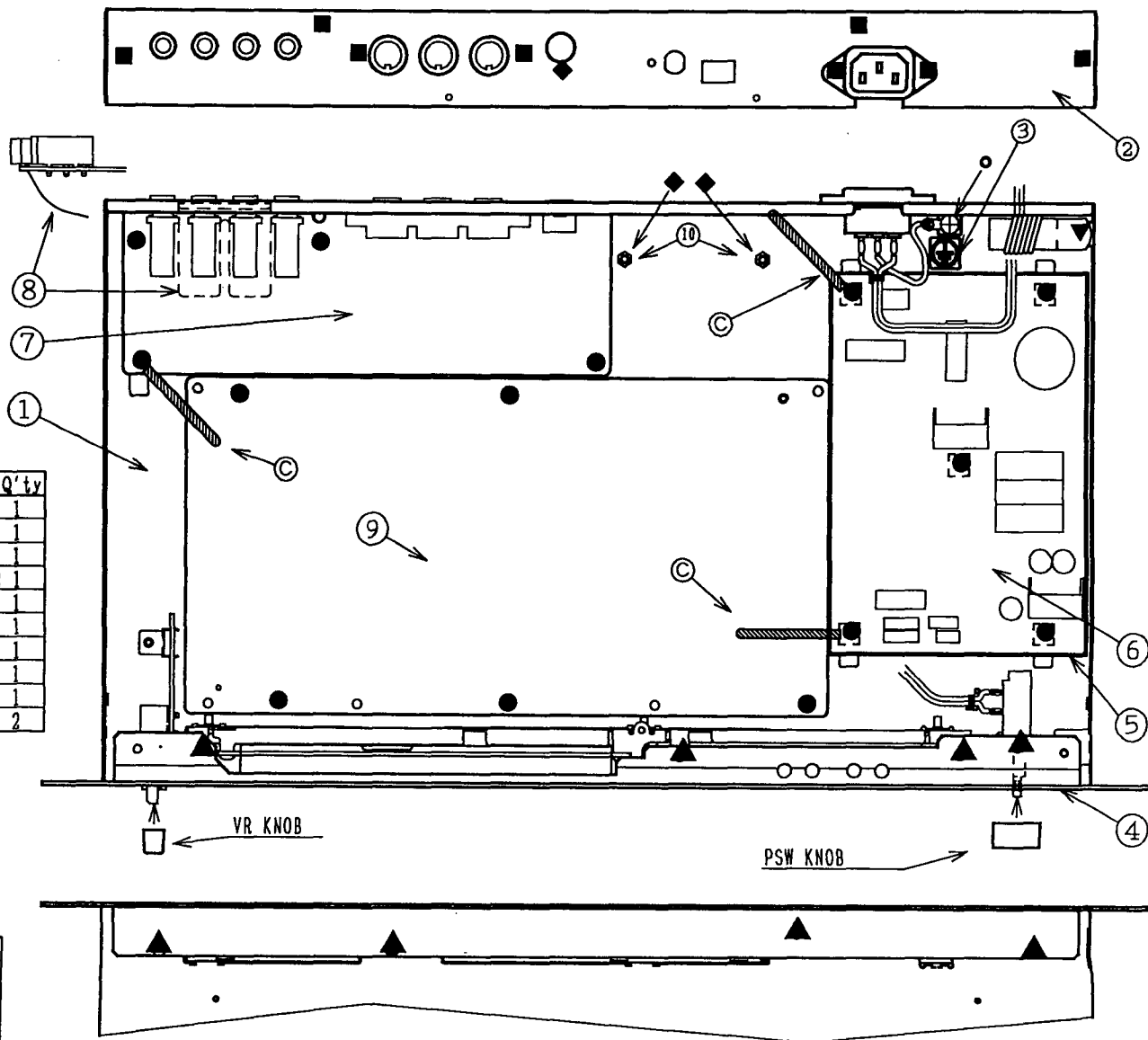
DISASSEMBLY 1

▲	TS	F	BZMC	4x10	4
■	BT	B	BZMC	3x8	9
MARK	SCREWS				Q'TY

DISASSEMBLY (2/3)

2

NO	PART CODE	PART NAME	Q'ty
1	641041446	X-621/622 BOTTOM CHASSIS	1
2	641041450	X-622 REAR PANEL	1
3	-----	GND SEAL	1
4	64D100201	X-622 FRONT PANEL KOC-C20347-2	1
5	630028600	X621/622 ISOLATION SHEET	1
6	002203800	POWER SUPPLY UNIT KLM-2038	1
7	001199700	PCB ASS KLM-1997	1
8	644007700	GND SPRING	1
9	001097800	PCB ASS KLM-978	1
10	644008500	X-622 PCB STUD	2

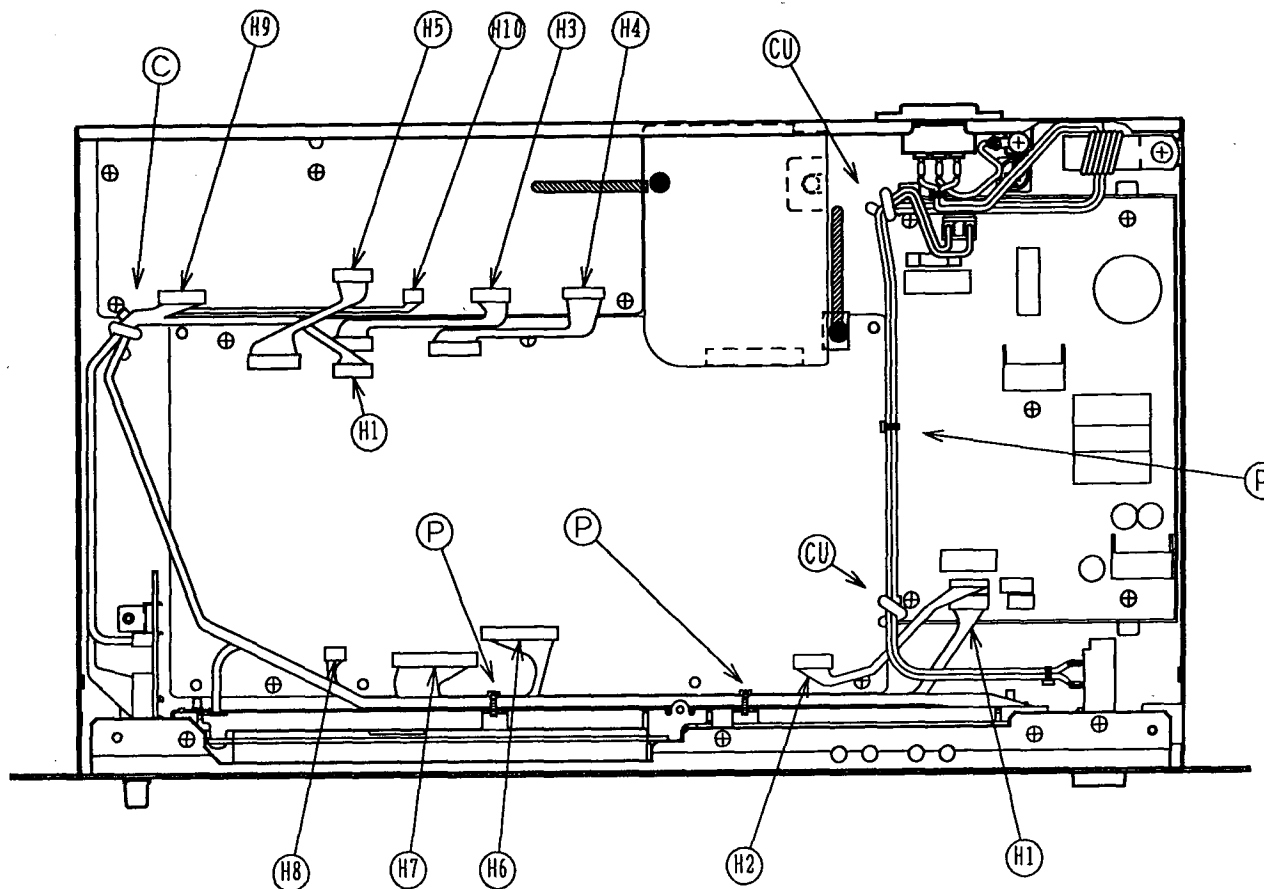


○	TS	B	SSE	ZMC	4X8	1
▼	TS	B		ZMC	4X8	1
◆	BT	F		BZMC	3X6	3
▲	BT	F		UC	3X6	8
■	BT	B		BZMC	3X8	8
●	BT	B		ZMC	3X6	15
MARK				SCREWS		Q'TY

DISASSEMBLY 2

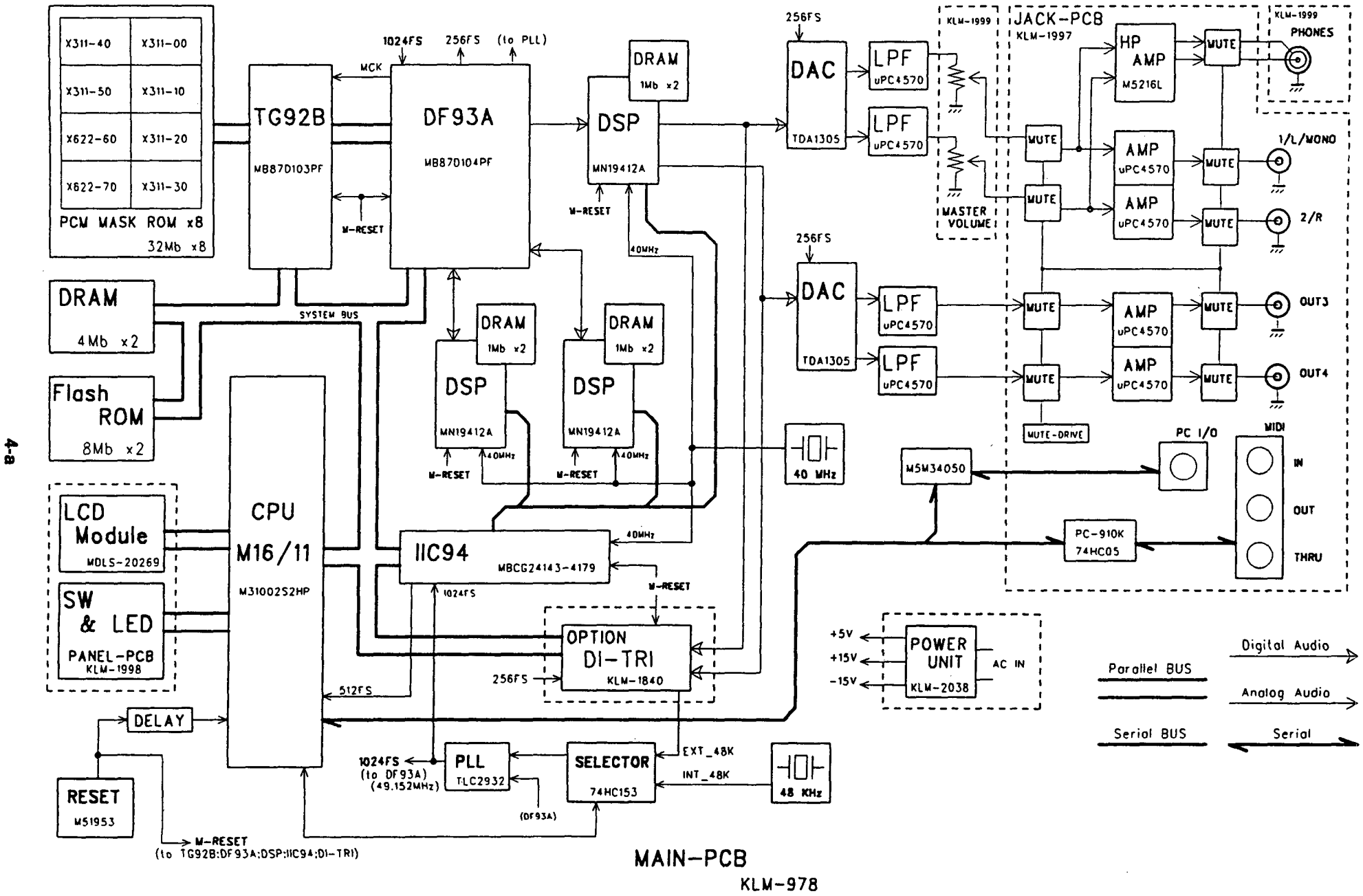
DISASSEMBLY (3/3)

NO.	HARNESS NO. HNS-	COLOR
H1	8042	GRN, BRN
H2	8043	ORG, RED
H3	8044	BLU, RED
H4	8045	GRY, BRN
H5	8046	WHT, BRN
H6	8049	PRPL, RED
H7	8050	GRN, YLW, ORG
H8	8051	GRY, RED
H9	2630	SHIELD
H10	2631	SHIELD



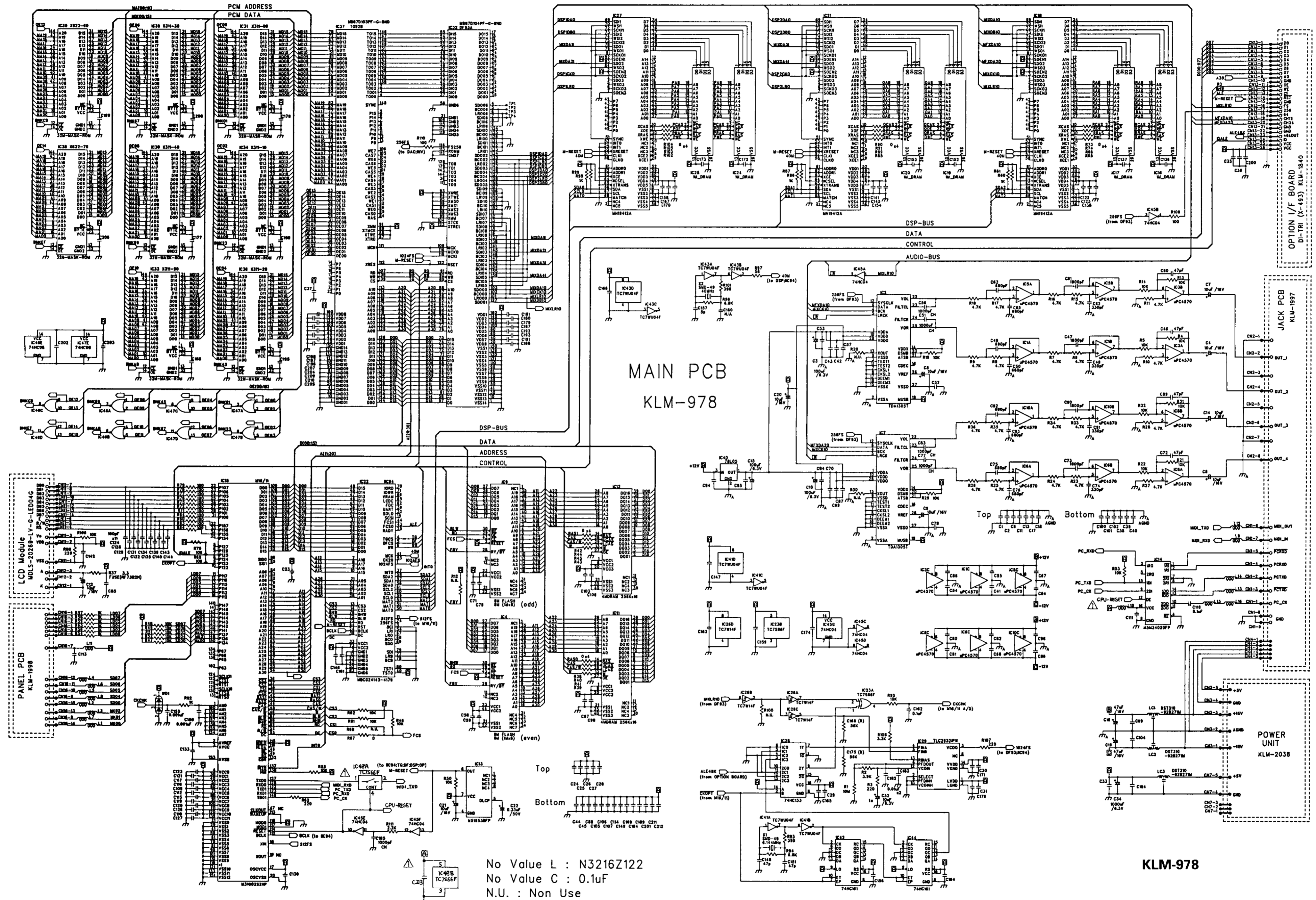
HARNESS CONNECTIONS

2. BLOCK DIAGRAM



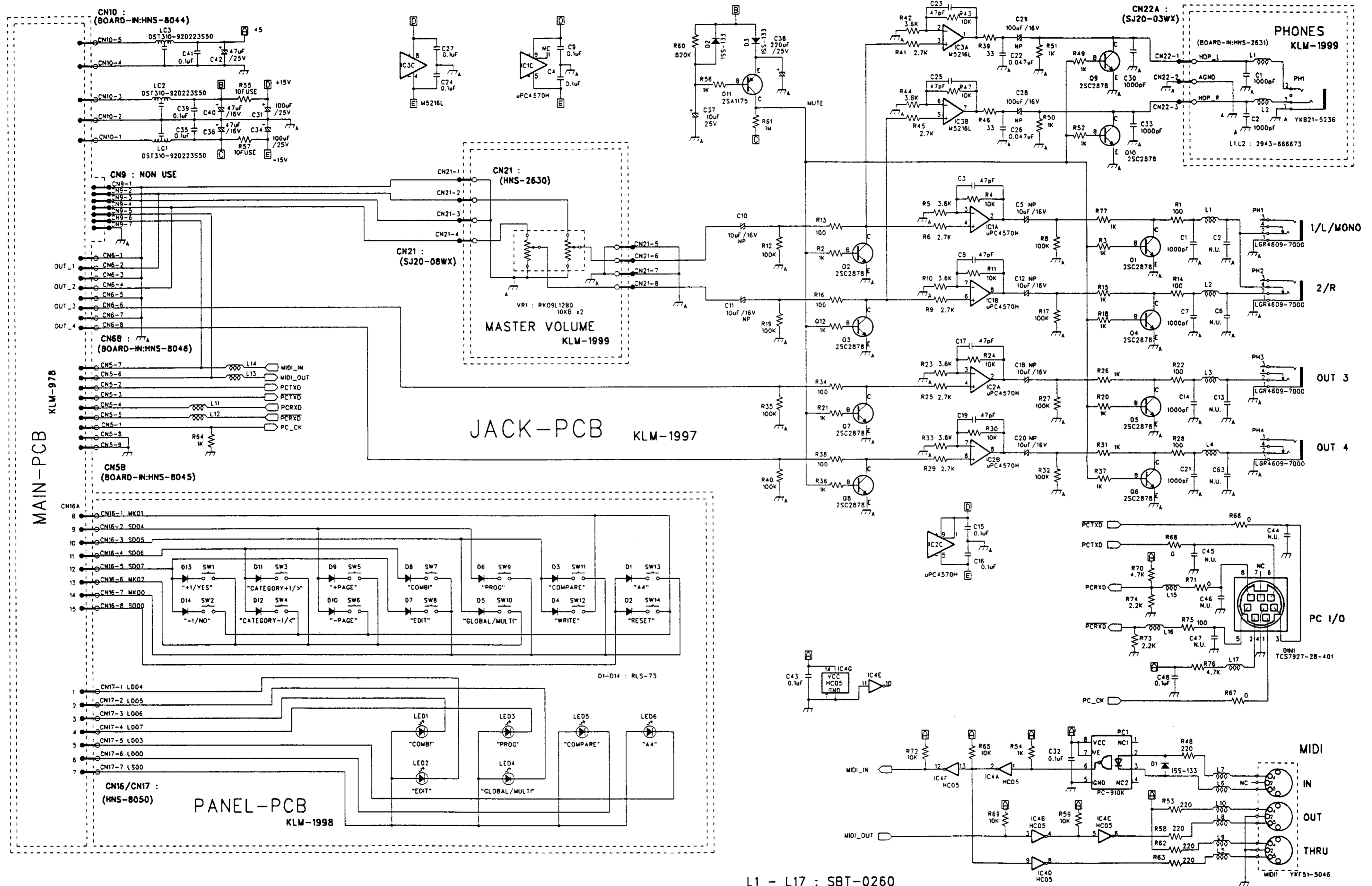
4-8

3. CIRCUIT DIAGRAMS



MAIN PCB
KLM-978

KLM-978



L1 - L17 : SBT-0260
 N.U. : NON USE

KLM-1997/98/99

4. PARTS LIST

PART CODE	PART NAME/SPECIFICATION	P.C.BOARD	NOTE	Q'TY	MARK
001097800	PCB ASS KLM-978	M.PART	MAIN	1	NEW
001199700	PCB ASS KLM-1997/99	M.PART	JACK/HP	1	NEW
001199800	PCB ASS KLM-1998	M.PART	PANEL	1	NEW
313004600	LCD MDLS-20269-LV-G-LED04G	M.PART		1	
314029200	LED.SLZ-181B-13-T2 (H=14)	1998		6	
320001242	IC UPC4570HA	1997	OP_AMP	2	
320002301	IC MN19412A	978	DSP	3	
320004359	IC HD74HC05P	1997	HC_MOS	1	
320011026	IC M5216L	1997	OP_AMP	1	
320011185	IC M31002S2HP	978	CPU	1	NEW
320012184	IC MBCG24143-4179PF-G-L	978	IIC	1	
320012201	IC MBM29F080-90PF-FJ K	978	FLASH ROM	2	
320012211	IC MB87D103PF-G-BND (TG92B)	978	TG92B	1	
320012212	IC MB87D104PF-G-BND (DF93A)	978	DF93A	1	
320040007	IC MX23C3210MC-15 X311-00	978	WAVE_ROM	1	
320040008	IC MX23C3210MC-15 X311-10	978	WAVE_ROM	1	
320040009	IC MX23C3210MC-15 X311-20	978	WAVE_ROM	1	
320040010	IC MX23C3210MC-15 X311-30	978	WAVE_ROM	1	
320040011	IC MX23C3210MC-15 X311-40	978	WAVE_ROM	1	
320040012	IC MX23C3210MC-15 X311-50	978	WAVE_ROM	1	
320040027	IC MX23C3210MC-15 X622-60	978	WAVE_ROM	1	NEW
320040028	IC MX23C3210MC-15 X622-70	978	WAVE_ROM	1	NEW
324001015	IC UPC4570G2-E2 (SOP)	978	OP_AMP	6	
324003010	IC TC7WU04F TE12L	978	HC_MOS	2	
324003011	IC TC7S86F (TE85R)	978	HC_MOS	1	
324003012	IC TC7W14F (TE12L)	978	HC_MOS	1	
324003013	IC TC74HC161AF (EL)	978	HC_MOS	2	
324004011	IC HD74HC04FPER	978	HC_MOS	1	
324004012	IC HD74HC08FPER	978	HC_MOS	2	
324004057	IC HD74HC153FPER	978	HC_MOS	1	
324009004	IC NJM78L05UA-TE2	978	REGULATOR	1	
324011012	IC M51953BFP-600C (SOP)	978	RESET	1	
324011021	IC M5M34050FP-42A	978	TRANSCEIVER	1	
324011030	IC M5M44260CJ-7-L2	978	D_RAM	2	
324013016	IC LH64256BK-70	978	D_RAM	6	
324021003	IC TLC2932IPWT-EL	978	PLL	1	
324038002	IC TDA1305T/N2-T	978	DAC	2	
330001400	PHOTO COUPLER PC-910K	1997		1	
334000500	SB COIL SBT-0260 TF	1997		17	
335400118	CRYSTAL OSC. SMD-49 6.144MHZ	978		1	
335400120	CRYSTAL OSC. SMD-49 40.000MHZ	978		11	
362006600	VR RK09L12B0A11A 10KBX2(X-145)	1999		1	
374000200	TOUCH SW EVQ21309K-T	1998		14	
375012500	POWER SW SDDFA3498A	M.PART		1	
402004600	COIL 2943-666673	M.PART		2	
450003100	PHONE JACK LGR4609-7000	1997		4	
454011600	PHONE JACK YKB21-5236	1999		1	
480010200	DIN SOCKET YKF51-5046	1997		1	

PART CODE	PART NAME/SPECIFICATION	P.C.BOARD	NOTE	Q'TY	MARK
500018300	RUBBER FOOT 3x22x3	M.PART		4	
525001300	FERRITE CORE MFT-25	M.PART		1	
540020200	INLET SOCKET SS-7B	M.PART		1	
600005100	AC CORD KP-610 GTBS-3 KS-31AY	M.PART	230UK	1	
600005300	AC CORD DC-480-J01	M.PART	100JP	1	
600005400	AC CORD EC-652-E03	M.PART	230GE	1	
		M.PART	230FR	1	
		M.PART	230WG	1	
600005700	AC CORD UC-953-J01	M.PART	117US	1	
		M.PART	117CN	1	
		M.PART	117EX	1	
600005800	AC CORD SC-111-J01	M.PART	240AU	1	
620024700	X-142 TOUCH SW KNOB NO.1	M.PART		3	
620025000	X-142 TOUCH SW KNOB NO.2	M.PART		1	
620025700	X-145 VR KNOB KOC-E48042	M.PART		1	
620031700	PSW KNOB BLACK	M.PART		1	
630028600	X-621/622 INSULATION SHEET	M.PART		1	NEW
630028700	X-621/622 LCD WINDOW E40464	M.PART		1	NEW
630029900	X-622 SHIELD SHEET	M.PART		1	NEW
640100201	X-622 FRONT PANEL	M.PART		1	NEW
641028100	X-144 COVER	M.PART		1	
641037300	X-145/146 METAL FITTING OF PCB	1999		1	
641041436	GND PLATE M1866-A C40884-2	1997		1	
641041446	X-621/622 BOTTOM CHASSIS	M.PART		1	NEW
641041447	X-621/622 FRONT CHASSIS	M.PART		1	NEW
641041448	X-621/622 RACK MOUNT ANGLE	M.PART		2	NEW
641041450	X-622 REAR PANEL	M.PART		1	NEW
644007700	GND SPRING	M.PART		1	
644008500	X-622 PCB STUD	M.PART		2	NEW
646042101	X-142 REFLECTOR NO.2 H40076	M.PART		3	

KORG

KORG INC. 15-12, Shimotakaido 1-chome, Suginami-ku, Tokyo 168
