

Service Manual

TRITON Le

61 / 76

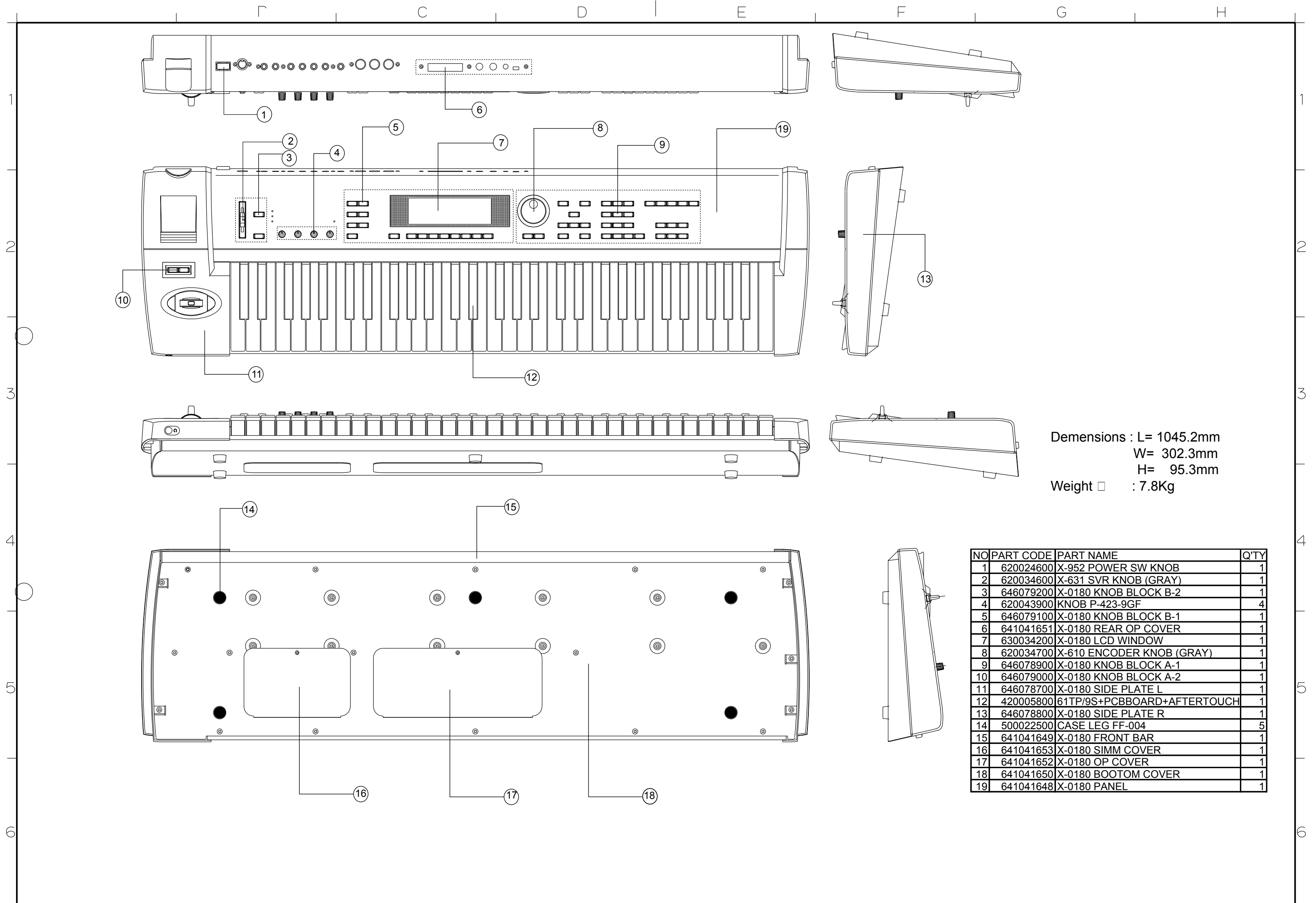
CONTENTS

- 1) Structural Diagram - - - - -
- 2) Block Diagram - - - - -
- 3) Circuit Diagram - - - - -
- 4) Diagnostics - - - - -
- 5) Parts List - - - - -

Revision: 1.00

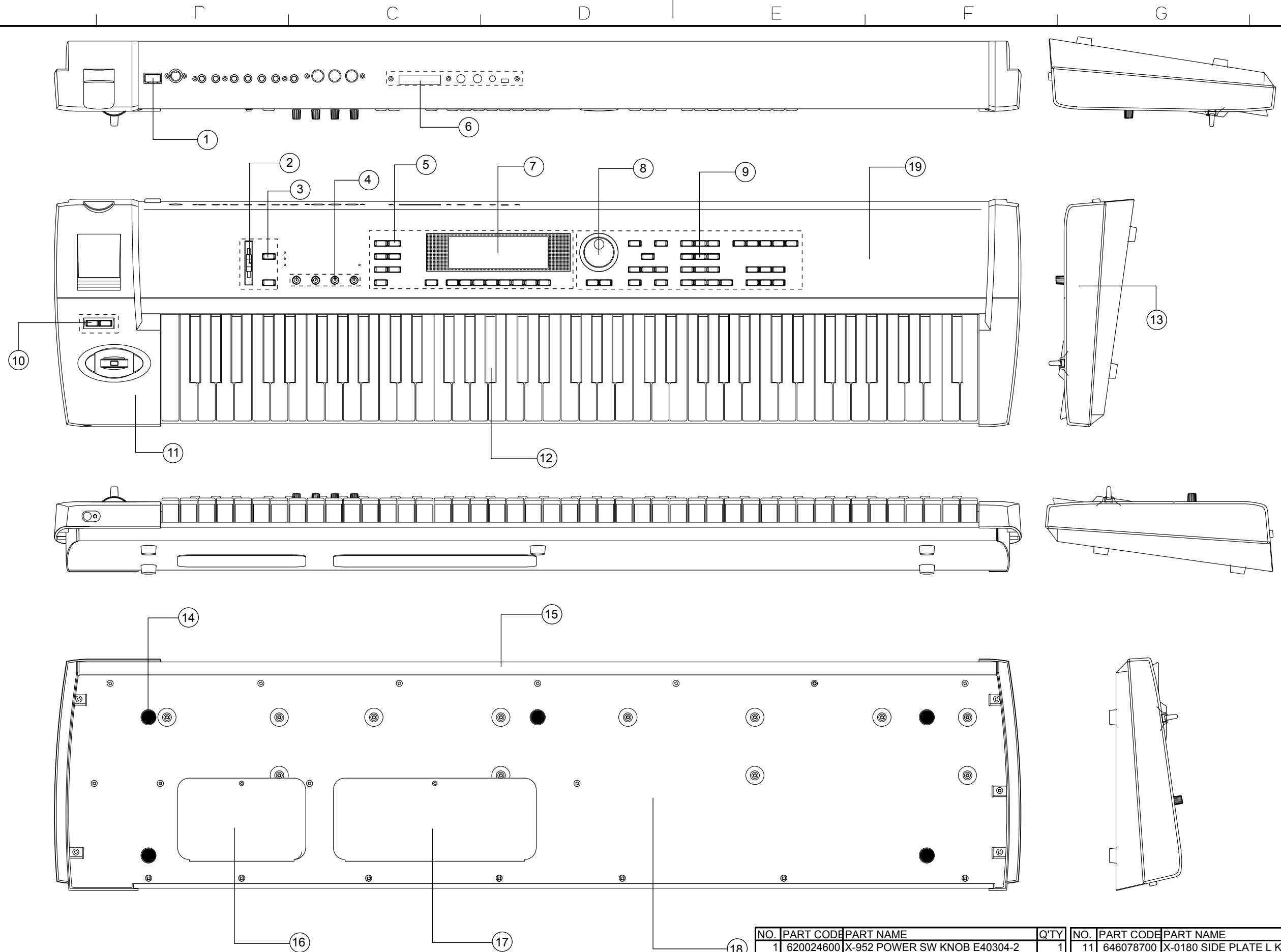
Issued date: Nov.28.2001

Issued by: KORG INC.



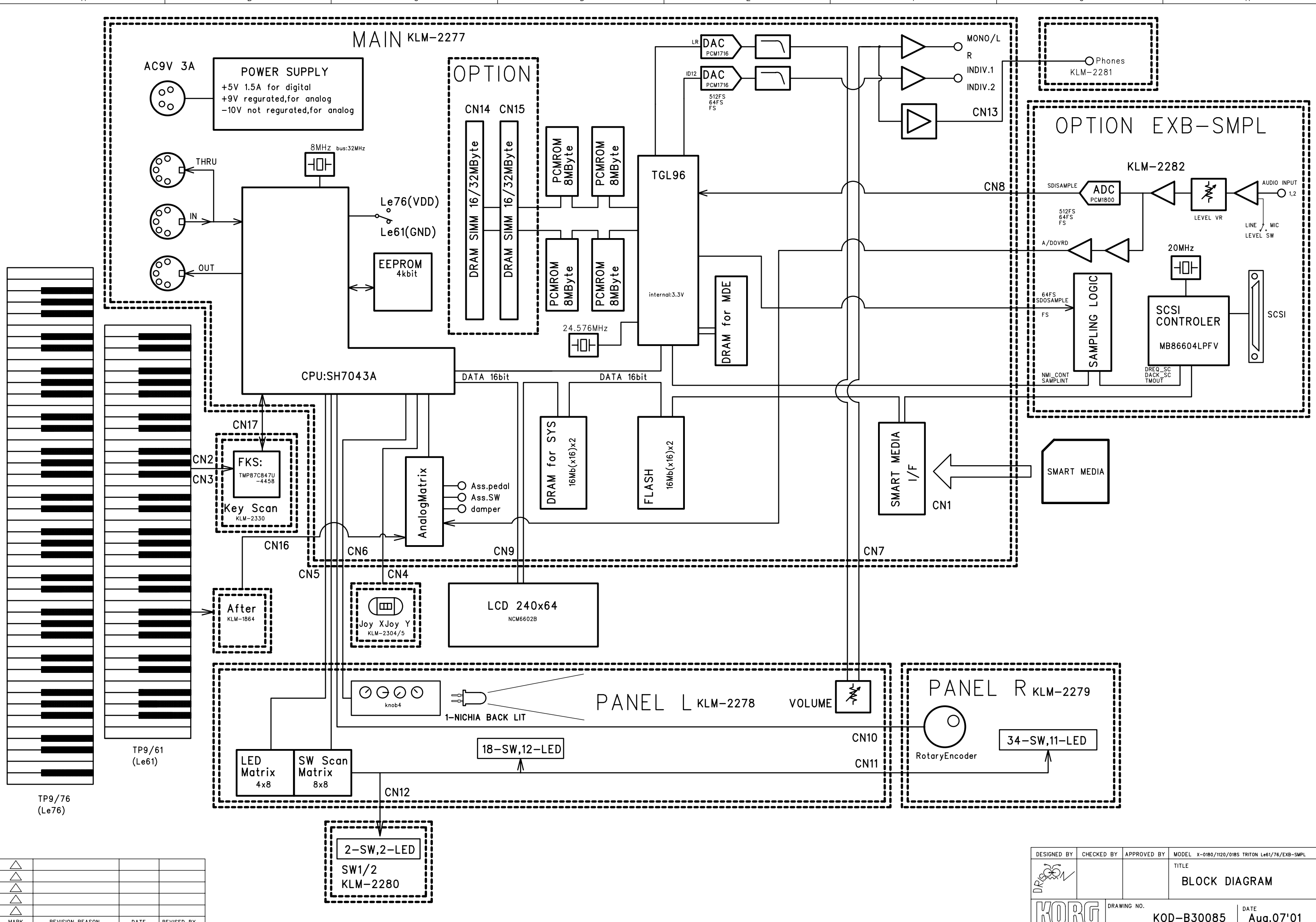
Dimensions : L= 1045.2mm
W= 302.3mm
H= 95.3mm
Weight □ : 7.8Kg

NO	PART CODE	PART NAME	Q'TY
1	620024600	X-952 POWER SW KNOB	1
2	620034600	X-631 SVR KNOB (GRAY)	1
3	646079200	X-0180 KNOB BLOCK B-2	1
4	620043900	KNOB P-423-9GF	4
5	646079100	X-0180 KNOB BLOCK B-1	1
6	641041651	X-0180 REAR OP COVER	1
7	630034200	X-0180 LCD WINDOW	1
8	620034700	X-610 ENCODER KNOB (GRAY)	1
9	646078900	X-0180 KNOB BLOCK A-1	1
10	646079000	X-0180 KNOB BLOCK A-2	1
11	646078700	X-0180 SIDE PLATE L	1
12	420005800	61TP/9S+PCBBOARD+AFTERTOUCH	1
13	646078800	X-0180 SIDE PLATE R	1
14	500022500	CASE LEG FF-004	5
15	641041649	X-0180 FRONT BAR	1
16	641041653	X-0180 SIMM COVER	1
17	641041652	X-0180 OP COVER	1
18	641041650	X-0180 BOTTOM COVER	1
19	641041648	X-0180 PANEL	1



Dimensions : L=1257.6mm
W= 302.3mm
H= 95.3mm
Weight : 9.2Kg

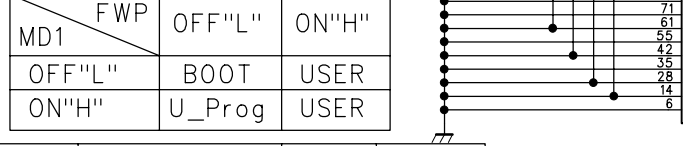
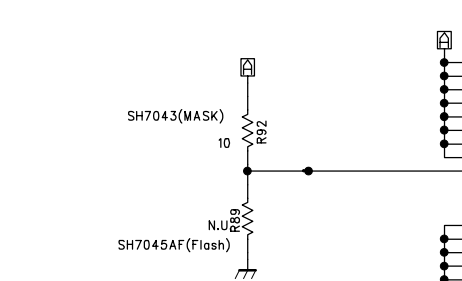
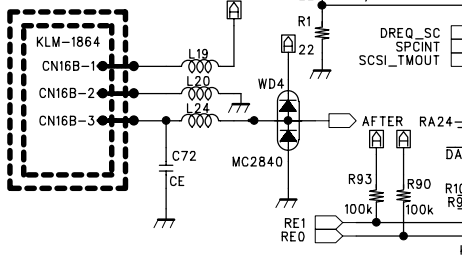
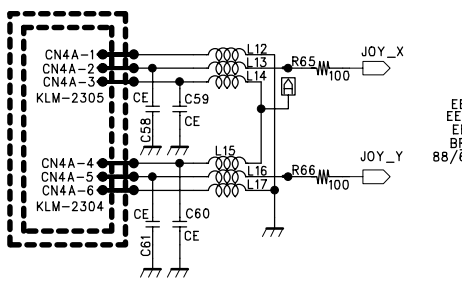
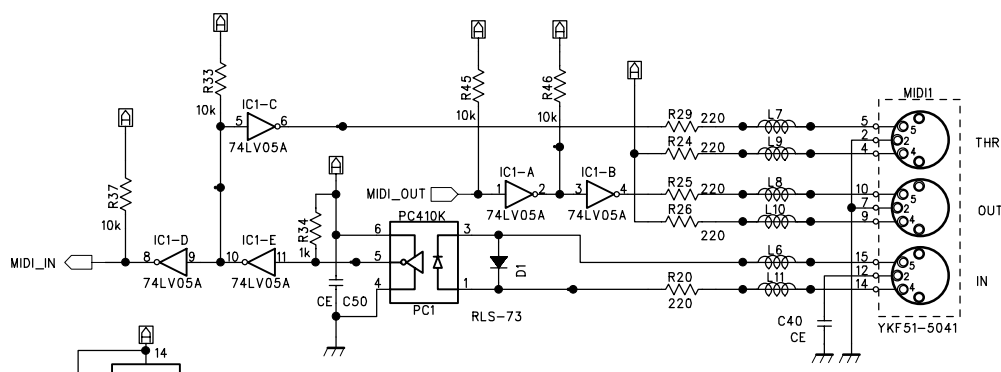
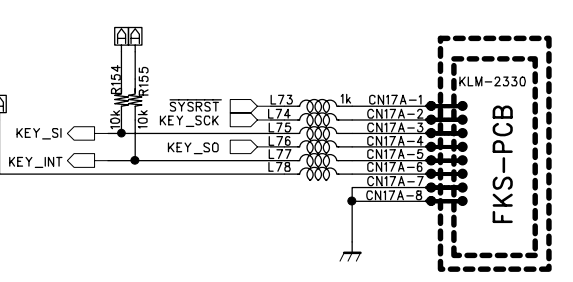
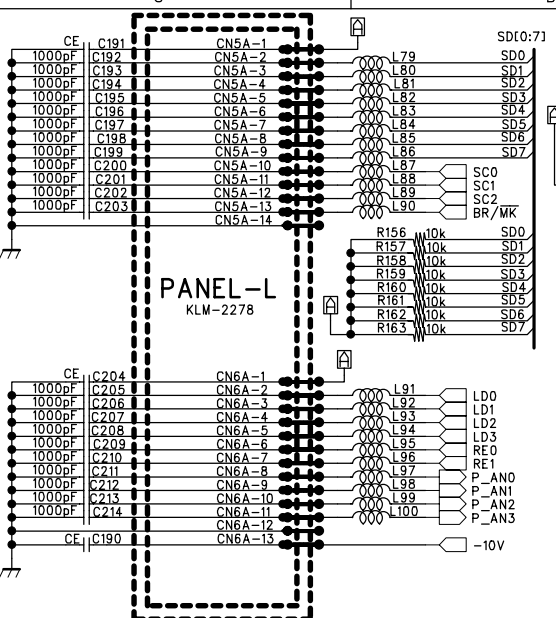
NO.	PART CODE	PART NAME	QTY	NO.	PART CODE	PART NAME	QTY
1	620024600	X-952 POWER SW KNOB E40304-2	1	11	646078700	X-0180 SIDE PLATE L KOC-E10189	1
2	620034600	X-631 SVR KNOB(GRAY)E40239-6	1	12	420005900	76TP/9+PCBOARD+AFTERTOUCH	1
3	646079200	X-0180 KNOB BLOCK B-2 E10191-2	1	13	646080000	X-1120 SIDE PLATE R E10190-2	1
4	620043900	KNOB P423-9GF(-0180) E40519-2	4	14	500022500	CASE LEG FF-004	5
5	646079100	X-0180 KNOB BLOCK B-1 E10191-1	1	15	641041661	X-1120 FRONT BAR KOC-C41228-2	1
6	641041651	X-0180 REAR OP COVER KOC-C4122	1	16	641041653	X-0180 SIMM COVER KOC-C41227	1
7	630034200	X-0180 LCD WINDOW KOC-F40962	1	17	641041652	X-0180 OP COVER KOC-C41226	1
8	620034700	X-610 ENCODER KNOB(GRAY)E40466	1	18	641041659	X-1120 BOTTOM COVER KOC-C30565	1
9	646078900	X-0180 KNOB BLOCK A-1 E20211-1	1	19	641041660	X-1120 PANEL KOC-C30564	1
10	646079000	X-0180 KNOB BLOCK A-2 E20211-2	1				



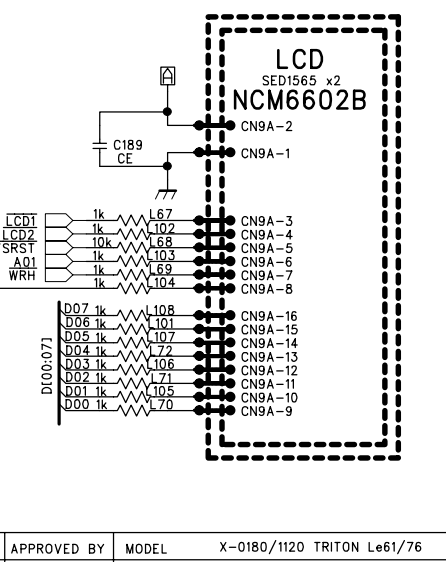
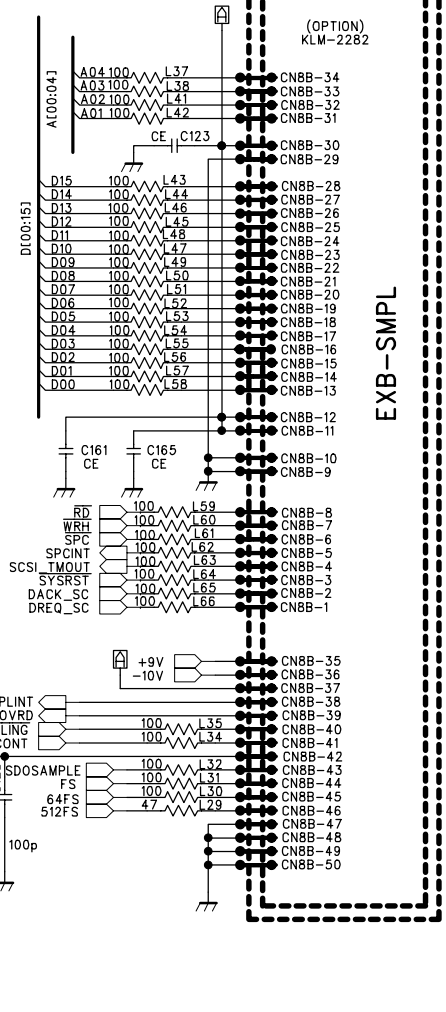
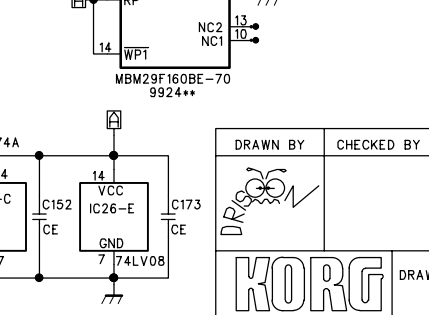
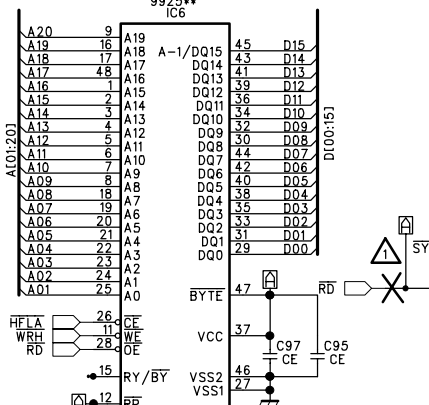
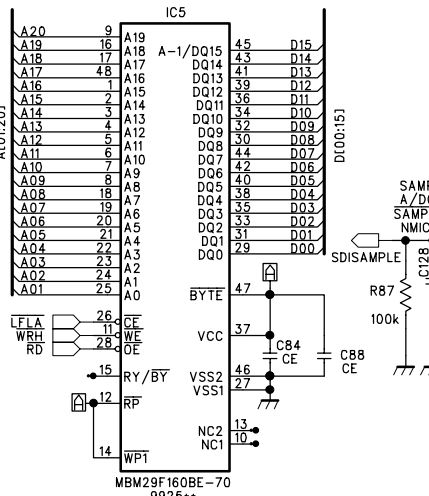
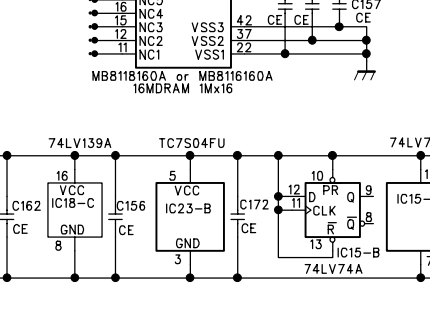
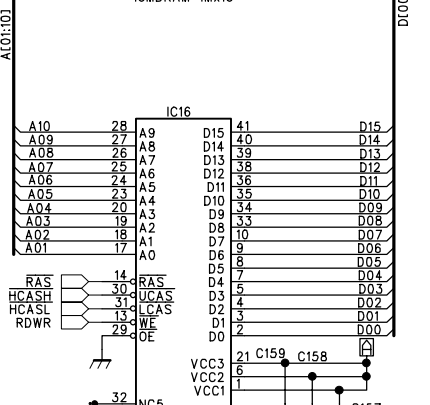
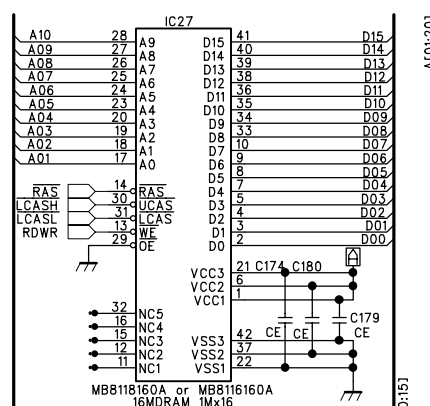
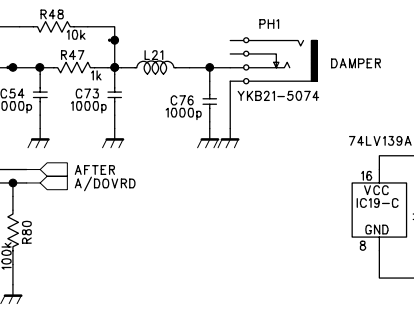
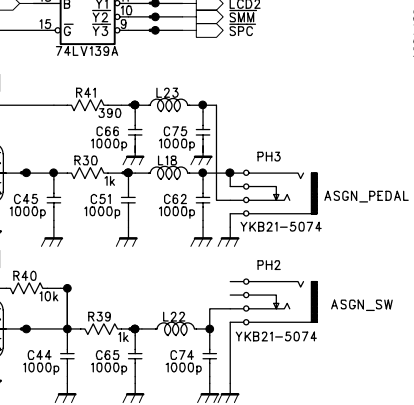
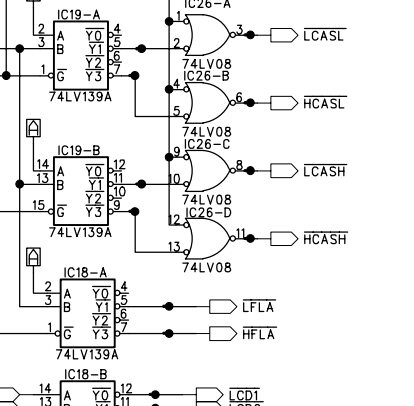
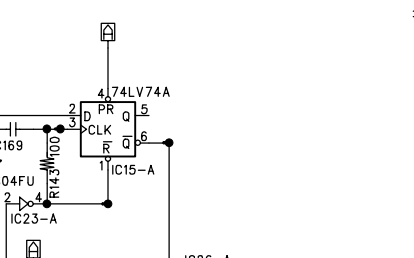
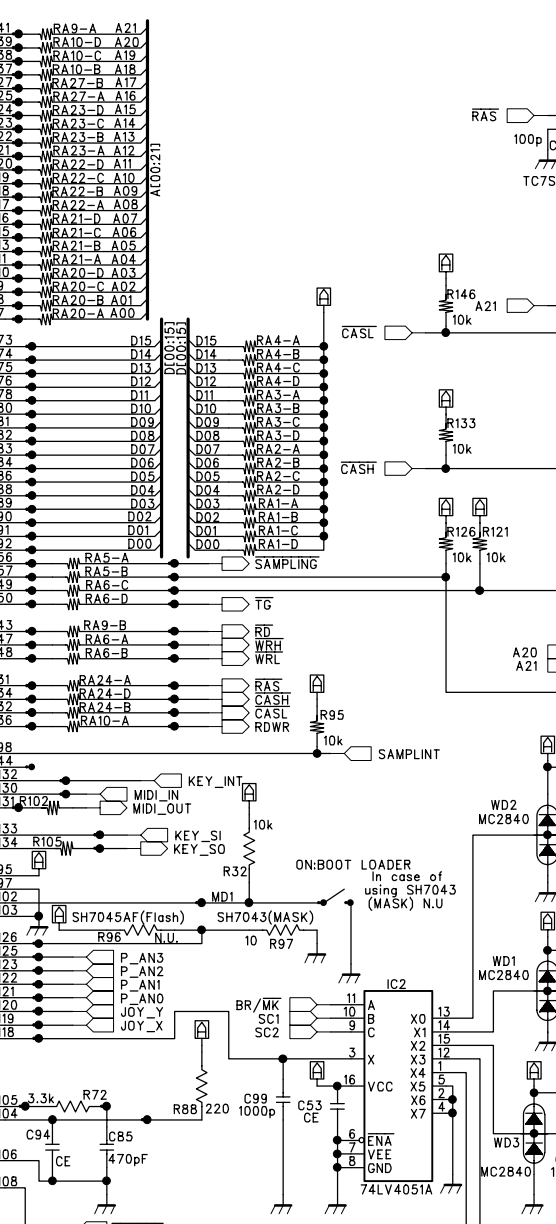
△			
△			
△			
△			
△			
MARK	REVISION REASON	DATE	REVISED BY

DESIGNED BY DRIS	CHECKED BY	APPROVED BY	MODEL X-0180/1120/0185 TRITON Le61/76/EXB-SMPL
TITLE BLOCK DIAGRAM			
DRAWING NO. KORG		DATE Aug.07'01	
KOD-B30085			

CE:C1608JF1E104ZT-AG
 no value R,RA : 100ohm
 no value L : BLM18BD102SN1D



	MD1	FWP	OFF"L"	ON"H"
	OFF"L"	BOOT	USER	
	ON"H"	U_Prog	USER	
MARK	REVISION	REASON	DATE	REVISED BY

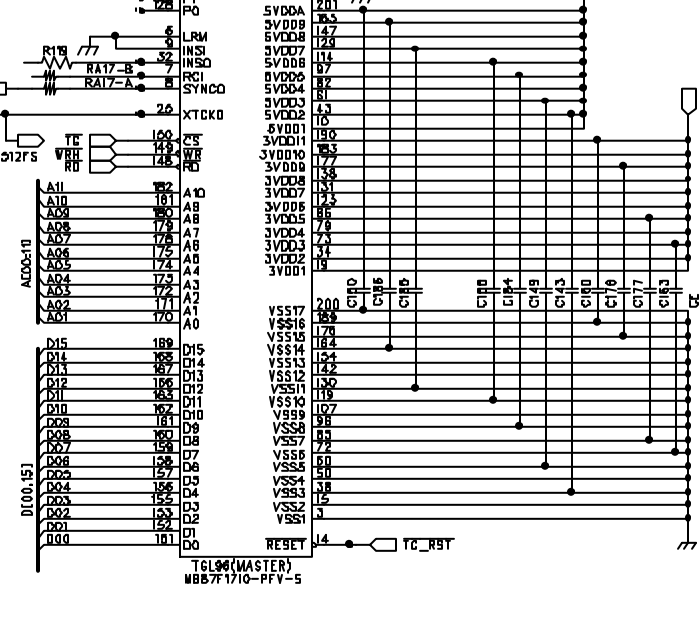
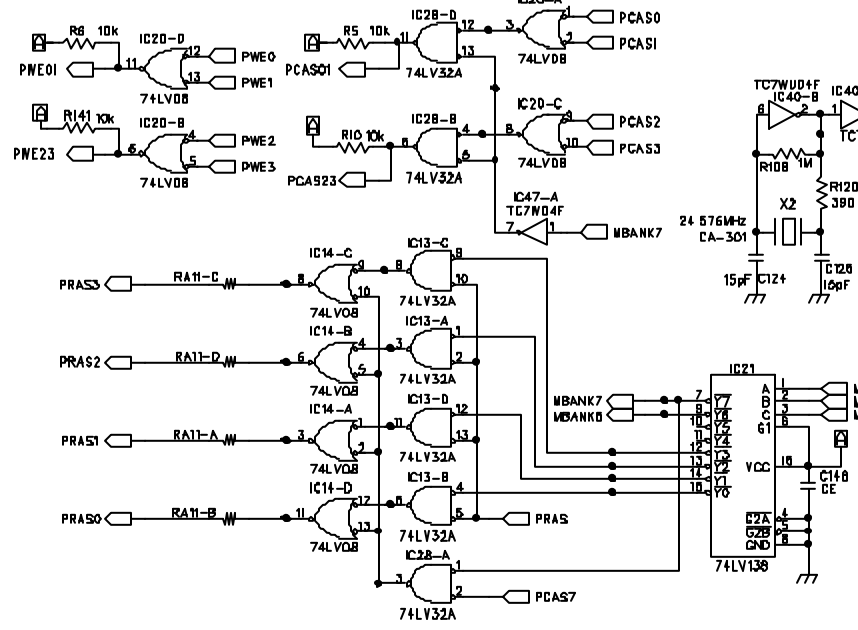
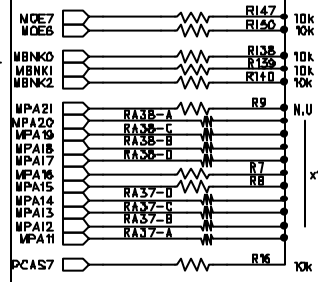
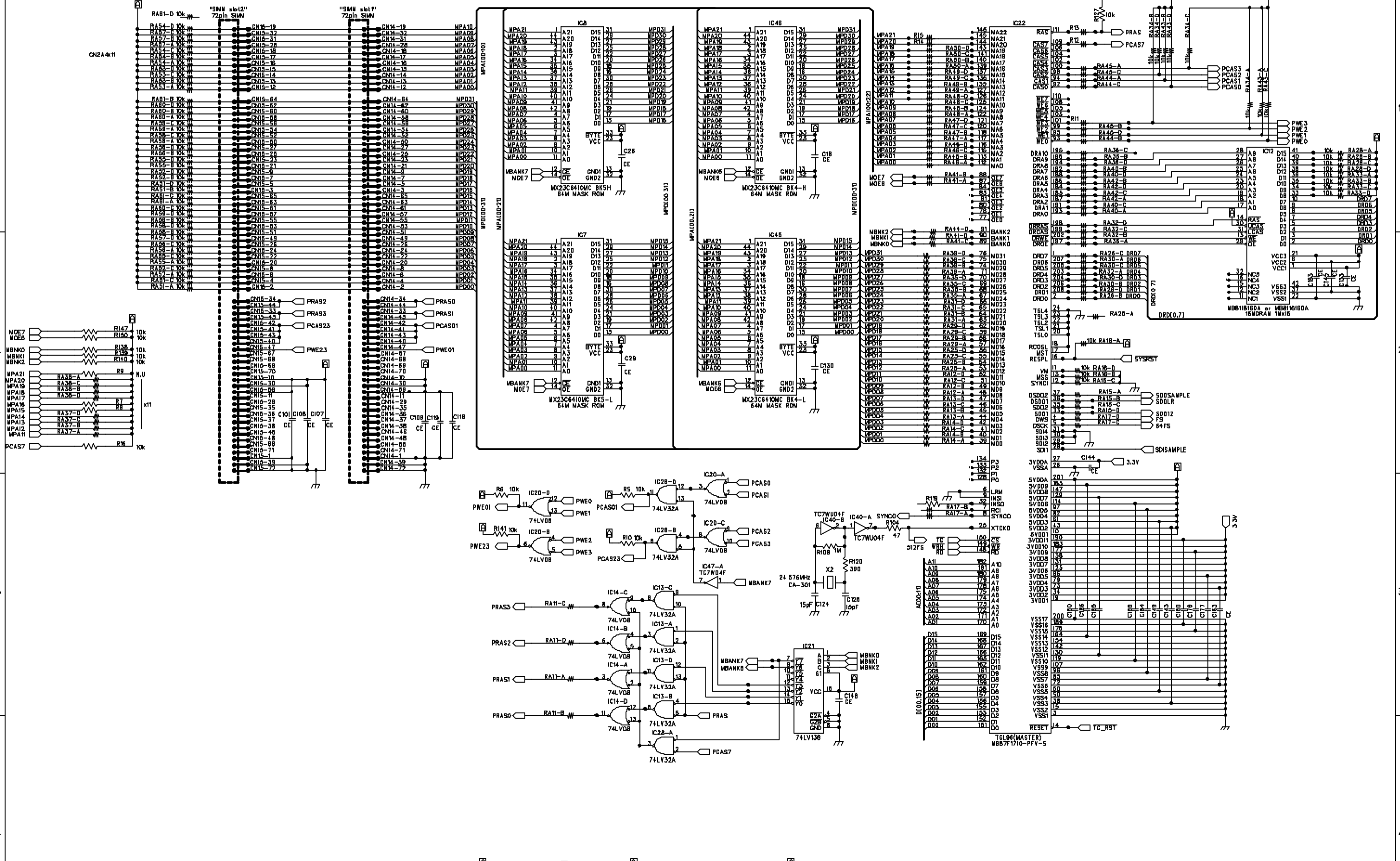


DRAWN BY: CHECKED BY: APPROVED BY: MODEL: X-0180/1120 TRITON L6s1/76

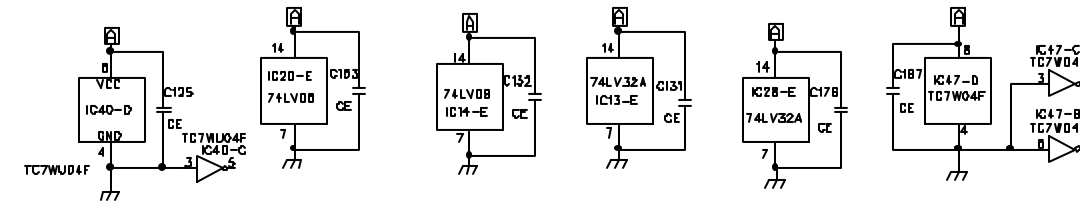
TITLE: KLM-2277 MAIN 1/5 CPU BLOCK

DRAWING NO. KOD-A30468 DATE: Aug.07'01

16/32Mbyte DRAM SIMM(OPTION)

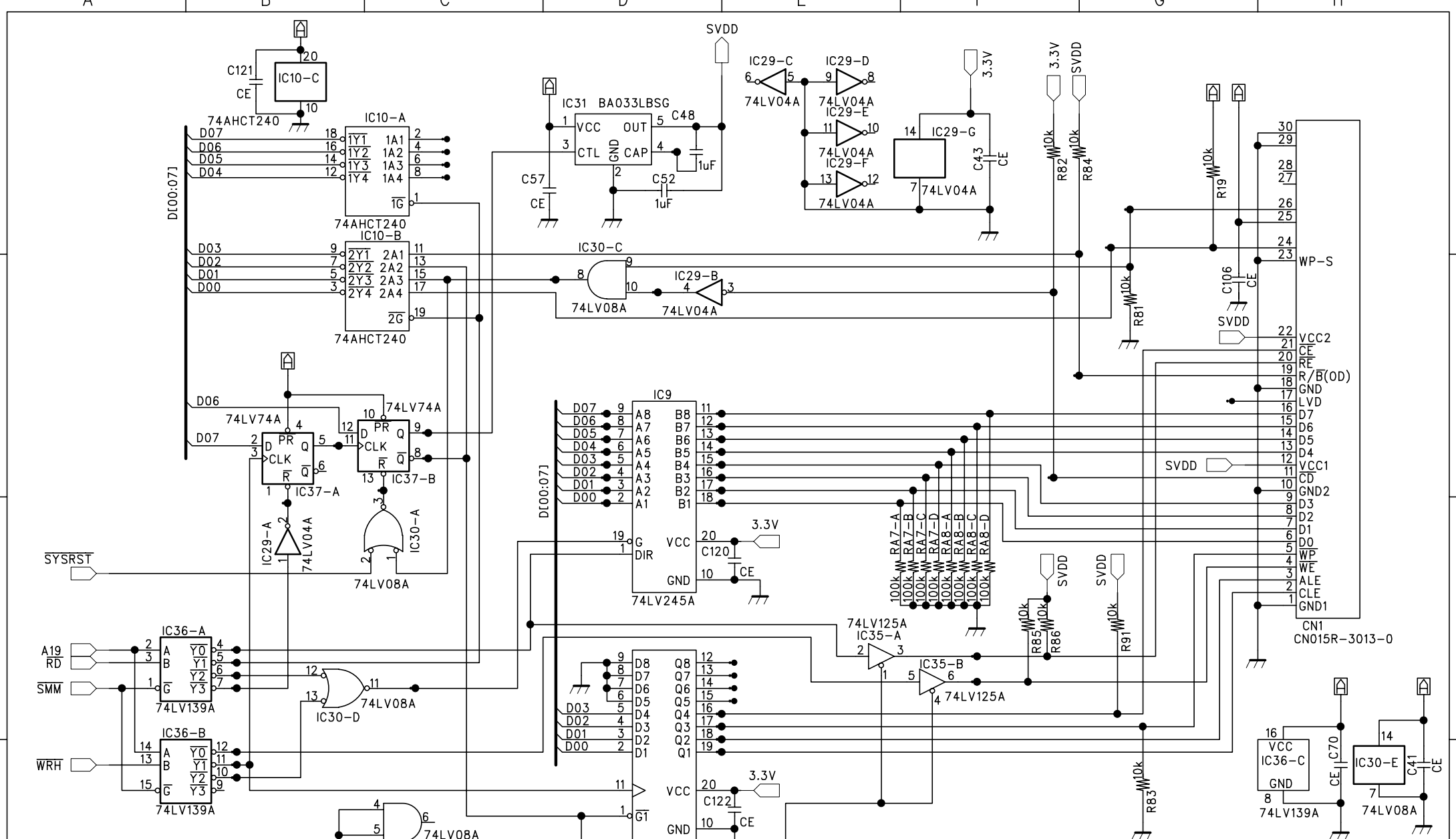


MARK	REVISION	REASON	DATE	REVISED BY



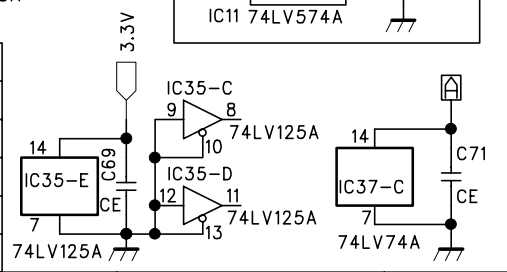
CE:C1608JF1E104ZT-AG
no value R,RA : 22ohm

DRAWN BY	CHECKED BY	APPROVED BY	MODEL	X-0180/1120 TRITON Lw61/76	
KORG			TITLE	KLM-2277 MAIN 2/5 TG BLOCK	
DRAWING NO			KOD-A30469	DATE	Aug.07'01

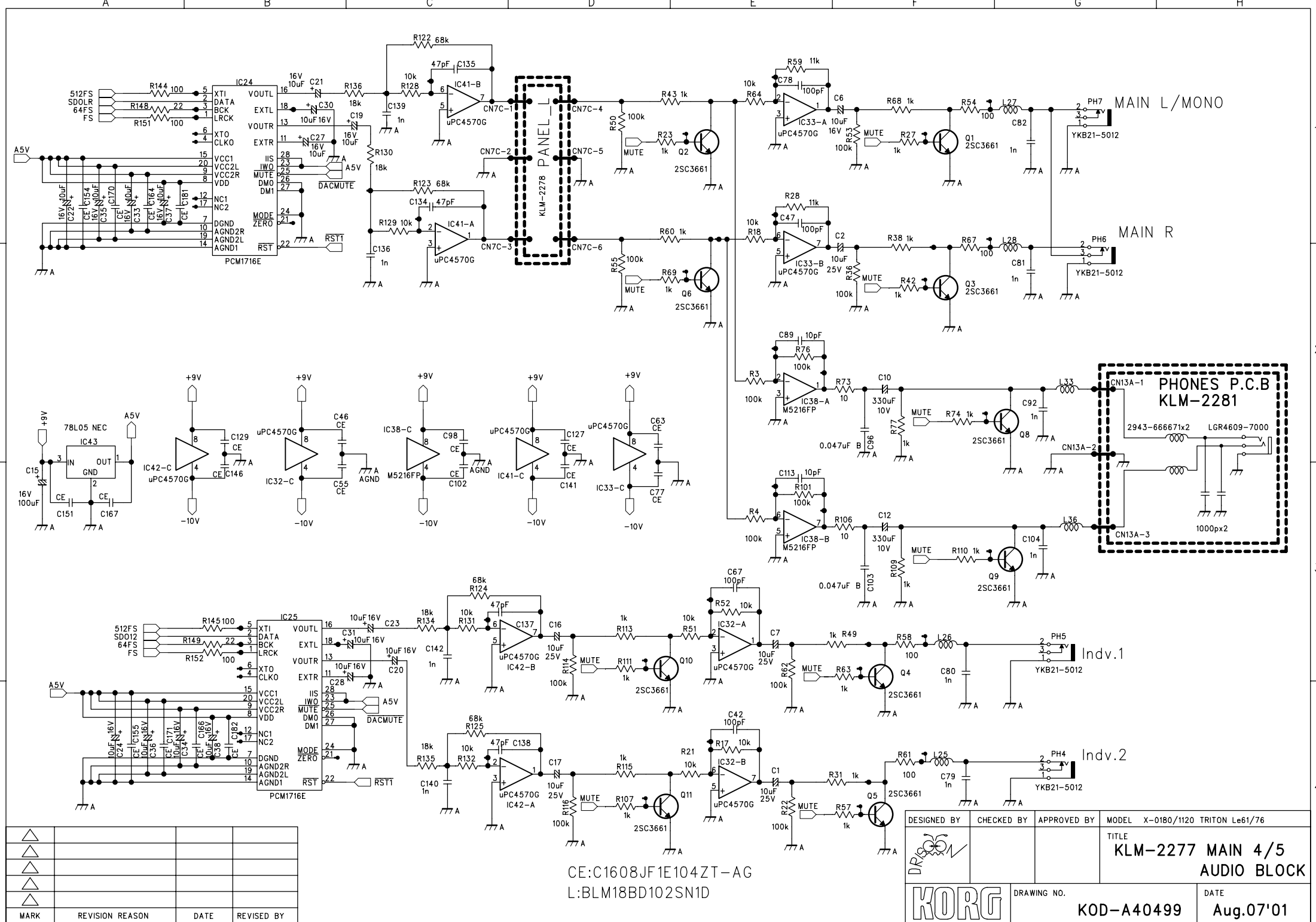


CE:C1608JF1E104ZT-AG

△			
△			
△			
△			
△			
MARK	REVISION REASON	DATE	REVISED BY



DESIGNED BY	CHECKED BY	APPROVED BY	MODEL X-0180/1120 TRITON Le61/76
			TITLE
			KLM-2277 MAIN 3/5 SMART MEDIA I/F BLOCK
DRAWING NO.		DATE	
KOD-A40498		Aug.07'01	

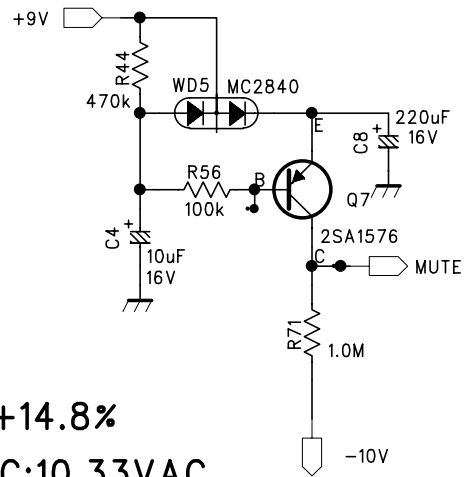
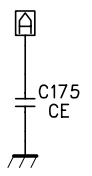
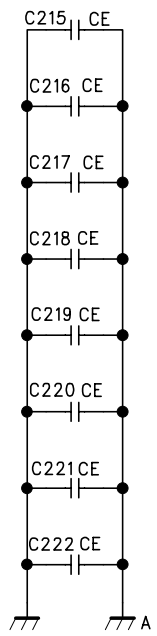


CE:C1608JF1E104ZT-AG
 L:BLM18BD102SN1D

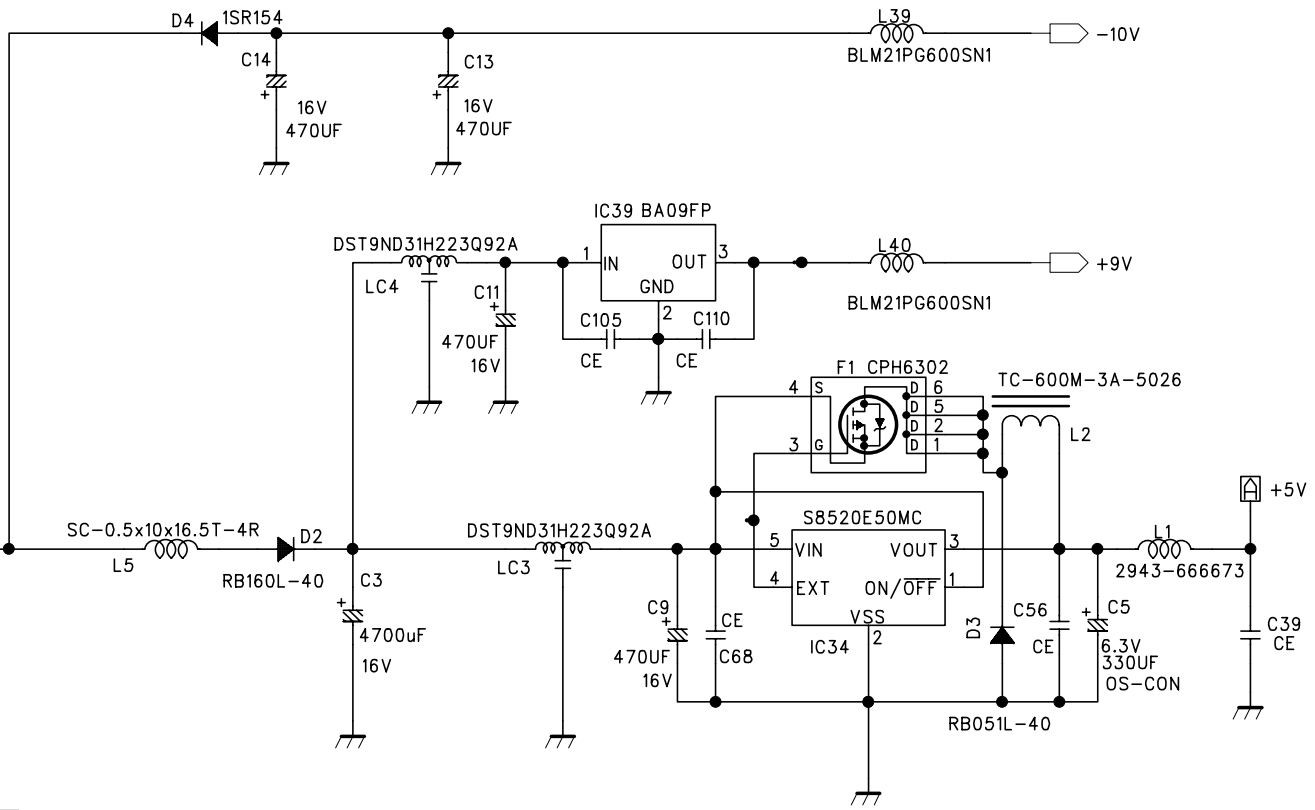
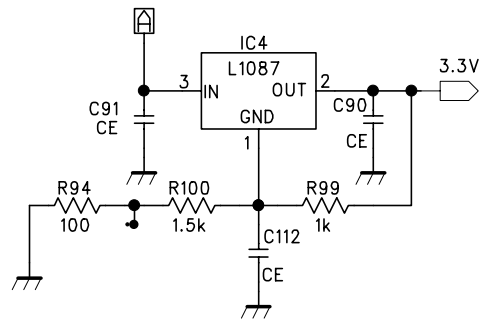
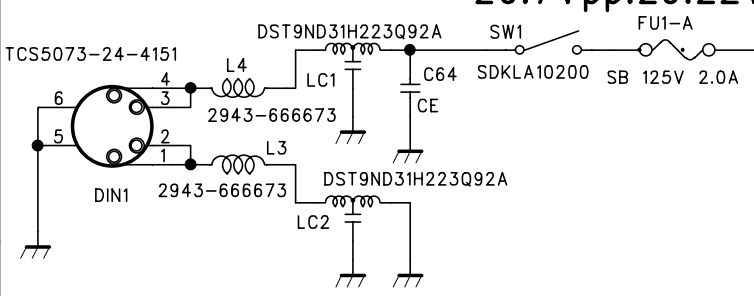
DESIGNED BY	CHECKED BY	APPROVED BY	MODEL	X-0180/1120 TRITON Le61/76
TITLE			KLM-2277 MAIN 4/5 AUDIO BLOCK	
DRAWING NO.		KOD-A40499		DATE
KORG				Aug.07'01

MARK	REVISION REASON	DATE	REVISED BY
△			
△			
△			
△			

CE:C1608JF1E104ZT-AG

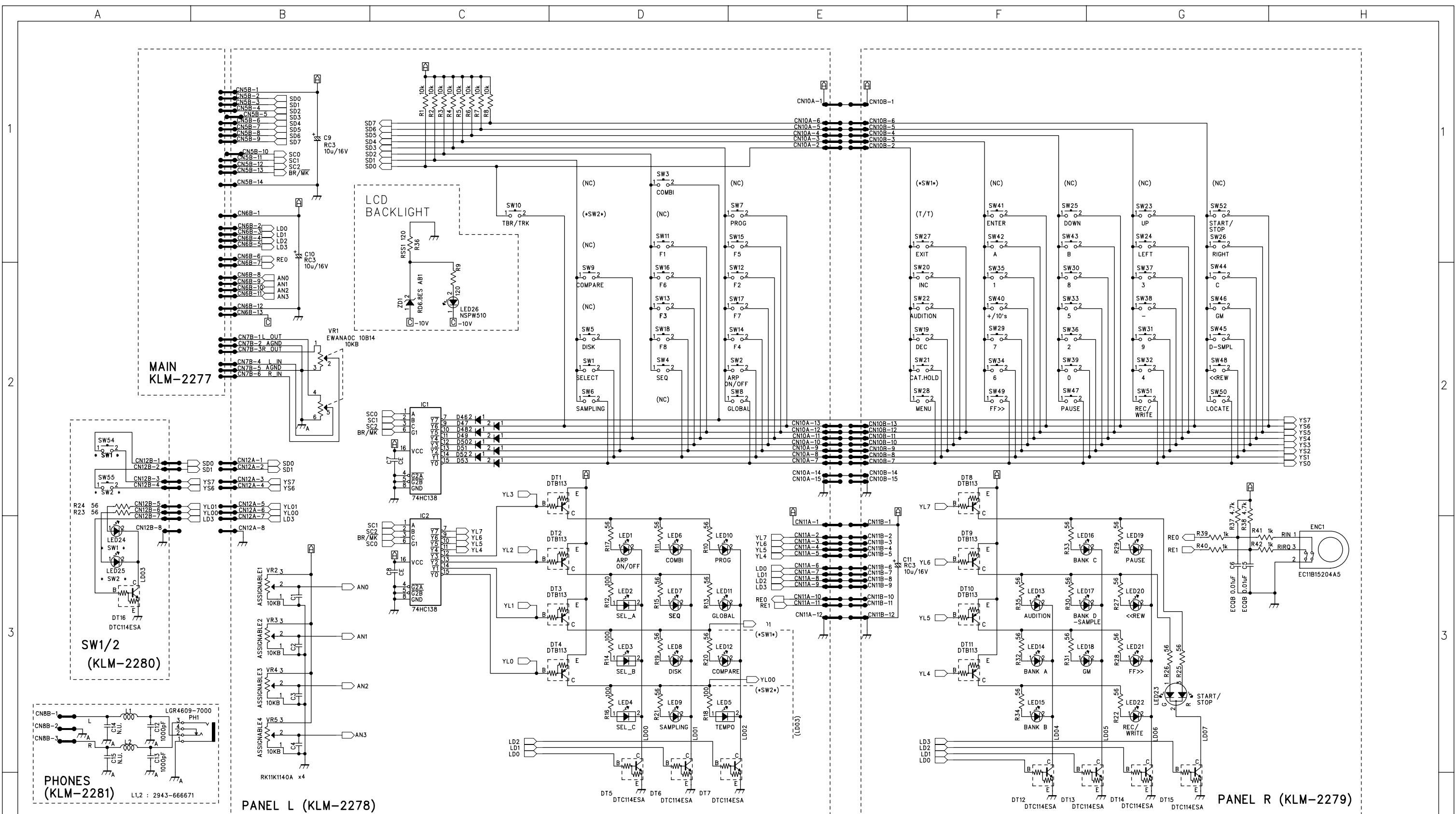


-18.7%:+14.8%
7.317VAC:10.33VAC
20.7Vpp:29.22Vpp



△			
△			
△			
△			
MARK	REVISION REASON	DATE	REVISED BY

DESIGNED BY	CHECKED BY	APPROVED BY	MODEL X-0180/1120 TRITON Le61/76
			TITLE
			KLM-2277 MAIN 5/5 POWER BLOCK
DRAWING NO.		DATE	
KOD-A40500		Aug.07'01	



LED1, 6-22, 24,25: SLR-325VRT
 LED2-5: SLZ-190B-09
 LED23: SPR-325MVW
 CE : CEC50V0.IFK24Y5V1H104ZN006
 SW: EVQ11A09K

MARK	REVISION REASON	DATE	REVISED BY
△			
△			
△			
△			

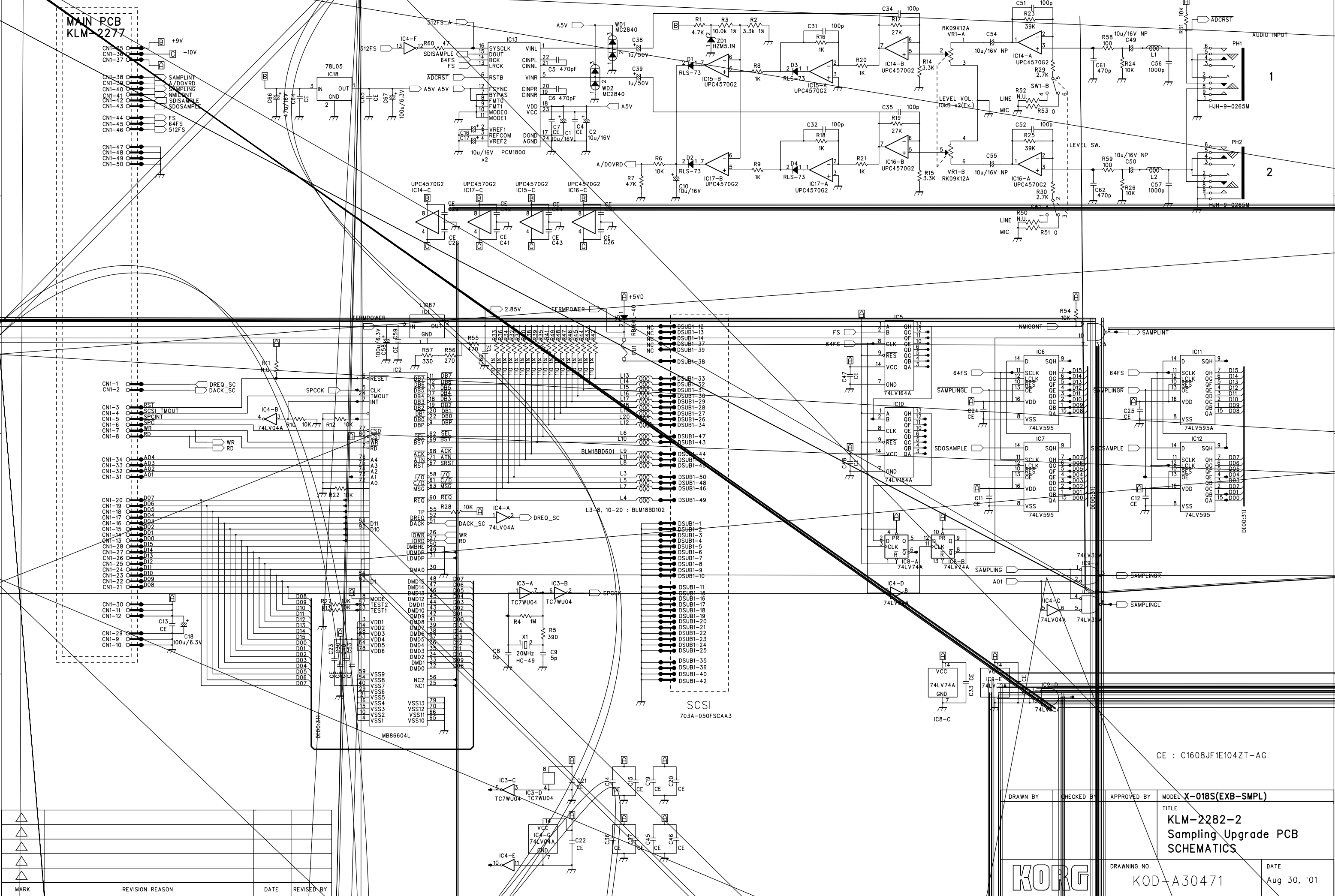
DRAWN BY	CHECKED BY	APPROVED BY	MODEL	TITLE
S.Ohnishi			K-01080/1120 TRITON Le 61/76	KLM-2278/9/80/1 Schematics
DRAWING NO.			DATE	
KORG			KOD-A30466	AUG 7, '01

MAIN PCB
KLM-2277

- CNI-35 +9V
- CNI-36 -10V
- CNI-37
- CNI-38 SAMPLINT
- CNI-39 SAMPLING
- CNI-40 SAMPLING
- CNI-41 NMICANT
- CNI-42 SDISAMPLE
- CNI-43 SDOSAMPLE
- CNI-44 FS
- CNI-45 64FS
- CNI-46 512FS
- CNI-47
- CNI-48
- CNI-49
- CNI-50

- CNI-1 DREQ_SC
- CNI-2 DACK_SC
- CNI-3 RST
- CNI-4 SCSL_TMOUT
- CNI-5 SPCINT
- CNI-6 SPC
- CNI-7 WR
- CNI-8 RD
- CNI-34 A04
- CNI-33 A03
- CNI-32 A02
- CNI-31 A01
- CNI-20 D07
- CNI-19 D06
- CNI-18 D05
- CNI-17 D04
- CNI-16 D03
- CNI-15 D02
- CNI-14 D01
- CNI-13 D00
- CNI-12 D14
- CNI-11 D13
- CNI-10 D12
- CNI-9 D11
- CNI-8 D10
- CNI-7 D09
- CNI-6 D08
- CNI-5 D07
- CNI-4 D06
- CNI-3 D05
- CNI-2 D04
- CNI-1 D03

- CNI-30 D08
- CNI-29 D07
- CNI-28 D06
- CNI-27 D05
- CNI-26 D04
- CNI-25 D03
- CNI-24 D02
- CNI-23 D01
- CNI-22 D00
- CNI-21 D07
- CNI-20 D06
- CNI-19 D05
- CNI-18 D04
- CNI-17 D03
- CNI-16 D02
- CNI-15 D01
- CNI-14 D00
- CNI-13 D07
- CNI-12 D06
- CNI-11 D05
- CNI-10 D04



CE : C1608JF1E104ZT-AG

DRAWN BY	CHECKED BY	APPROVED BY	MODEL X-018S(EXB-SMPL)
TITLE			
KLM-2282-2			
Sampling Upgrade PCB			
SCHEMATICS			
DRAWING NO.		DATE	
KOD-A30471		Aug 30, '01	

MARK	REVISION REASON	DATE	REVISED BY



Triton Le

How to start the test mode

ENTER+5+POWER ON	: FULL TEST
ENTER+2+POWER ON	: OMIT THE INTERNAL TEST
ENTER+3+POWER ON	: SKIP THE SMART MEDIA (7,13) TEST
ENTER+1+POWER ON	: FULL TEST BUT SCSI TEST
ENTER+4+POWER ON	: 12: SIMM 1/2 FULL TEST
ENTER+6+POWER ON	: EXB-SMPL TEST
ENTER+7+POWER ON	: EXB-SMPL TEST BUT SCSI TEST

How to operate the test mode

ENTER	: PROCEED THE TEST
VALUE▲	: ITEM UP
VALUE▼	: ITEM DOWN
FF	: STEP UP
REW	: STEP DOWN

NOTE:

When the test mode starts, the calibration values of Joystick and Aftertouch are reset.
When the test mode is proceeded in order, please take the calibration at each item.

While operating the internal test, turning the Rotary encoder enables you to adjust the contrast of the LCD but the indication might not appear since the data update of the contrast cannot follow on time. So when adjusting the contrast, please do that after finishing the internal test.

*Conditions when starting the test mode

-Use a Toshiba made 16Mbyte Smart Media with sticking the write-protect sticker. NOTE: The Smart Media is supplied with many different brands but it originally manufactured by either Toshiba or Samsung. To identify Toshiba or Samson, please check the country of origin, which is shown as MADE IN JAPAN or KOREA.

PART CODE	PART NAME	NOTE	Q'TY
001186400	PCB ASSY KLM-1864	TRITON LE61 M.	1
001227700	PCB ASSY KLM-2277 LE61	TRITON LE61 M.	1
001227800	PCB ASSY KLM-2278/9/80/1 LE61	TRITON LE61 M.	1
001233000	PCB ASSY KLM-2330 LE61	TRITON LE61 M.	1
304020230	TR 2SC3661-TA/TB(3K) (TS)	KLM-2277 TRITO	10
304020400	TR 2SA1576A T106 (TS)	KLM-2277 TRITO	1
304050220	DIGITAL TR DTC114ESA TP(TR)	KLM-2278/79/80	8
304050270	DIGITAL TR DTB113ZSTP(TR)	KLM-2278/79/80	8
304060250	FET CPH6302-TL(TS)	KLM-2277 TRITO	1
312053100	LED NSPW510BS	KLM-2278/79/80	1
313005800	LCD MODULE NCM6602B	TRITON LE61 M.	1
314001400	DIODE RLS-73 TE-11 (TS)	KLM-2277 TRITO	1
314010300	DIODE 1S2076TD (TA)	KLM-2278/79/80	8
314028800	LED SLZ-190B-09-T2 (TR)	KLM-2278/79/80	4
314030500	SCHOTTKY DIODE RB160L-40TE25	KLM-2277 TRITO	1
314030600	DIODE 1SR154-400TE25(TS)	KLM-2277 TRITO	1
314030700	SCHOTTKY DIODE RB051L-40TE25	KLM-2277 TRITO	1
314031000	LED SLR-325VRT31(TR)	KLM-2278/79/80	20
314032000	LED SPR-325MVWT31(TR)	KLM-2278/79/80	1
314032100	ZENER DIODE RD6.8ES T1 AB1(TA)	KLM-2278/79/80	1
315000500	DOUBLE DIODE MC-2840-T12-1(TS)	KLM-2277 TRITO	5
320003217	IC TMP87C847U-4458 (S)	KLM-2330 TRITO	1
320004108	IC HD74HC138P	KLM-2278/79/80	2
320004681	IC HD6437043AA21F (S)	KLM-2277 TRITO	1
320012223	IC MB87F1710PFV-G-BND(S)	KLM-2277 TRITO	1
320012298	MBM29F160BE-70FTN-K(X-0180L):S	KLM-2277 TRITO	1
320012299	MBM29F160BE-70FTN-K(X-0180H):S	KLM-2277 TRITO	1
320040038	IC MX23C6410MC-10 BK4-H (S)	KLM-2277 TRITO	1
320040039	IC MX23C6410MC-10 BK4-L (S)	KLM-2277 TRITO	1
320040040	IC MX23C6410MC-10 BK5-H (S)	KLM-2277 TRITO	1
320040041	IC MX23C6410MC-10 BK5-L (S)	KLM-2277 TRITO	1
324001015	IC UPC4570G2-E2 (TS)	KLM-2277 TRITO	4
324001167	IC UPC78L05T-E2 (TS)	KLM-2277 TRITO	1
324003010	IC TC7WU04F TE12L (TS)	KLM-2277 TRITO	1
324003022	IC TC7S04FU (TE85L) (TS)	KLM-2277 TRITO	1
324003042	IC TC7W04F (TE12L) (TS)	KLM-2277 TRITO	1
324007011	IC BA09FP-E2 (TS)	KLM-2277 TRITO	1
324007012	IC BA033LBSG-TR(TS)	KLM-2277 TRITO	1
324009019	IC NJM2115M-TE2 (TS)	KLM-1864 TRITO	1
324011004	IC M5216FP-600C (TS)	KLM-2277 TRITO	1
324017014	IC RN5VD45AA-TR (TS)	KLM-2277 TRITO	1
324021013	IC SN74LV74ANS-EL (TS)	KLM-2277 TRITO	1
324021015	IC SN74LV08ANS-EL(TS)	KLM-2277 TRITO	1
324021025	IC SN74AHCT240PWR(TS)	KLM-2277 TRITO	1
324021030	IC SN74LV04ANSR (TS)	KLM-2277 TRITO	1
324021102	IC SN74LV08APWR (TS)	KLM-2277 TRITO	3
324021103	IC SN74LV32APWR (TS)	KLM-2277 TRITO	2
324021104	IC SN74LV74APWR (TS)	KLM-2277 TRITO	1
324021105	IC SN74LV245APWR (TS)	KLM-2277 TRITO	1
324021106	IC SN74LV139APWR (TS)	KLM-2277 TRITO	2
324021108	IC SN74LV138APWR (TS)	KLM-2277 TRITO	1
324021110	IC SN74LV574APWR (TS)	KLM-2277 TRITO	1

PART CODE	PART NAME	NOTE	Q'TY
324021114	IC SN74LV05APWR (TS)	KLM-2277 TRITO	1
324021119	IC SN74LV4051APWR (TS)	KLM-2277 TRITO	1
324021122	IC SN74LV139ANSR (TS)	KLM-2277 TRITO	1
324021123	IC SN74LV125ANSR (TS)	KLM-2277 TRITO	1
324023007	IC S-8520F50MC-B0J-T2(TS)	KLM-2277 TRITO	1
324024001	IC L1087MPX-ADJ (TS)	KLM-2277 TRITO	1
324027011	IC GM71C18163CJ-6(T) (TS)	KLM-2277 TRITO	3
324036008	IC PCM1716E/2K(TS)	KLM-2277 TRITO	2
324045003	IC 93LC66BT-I/SN(X16 TYPE)(TS)	KLM-2277 TRITO	1
334000600	PHOTO COUPLER PC-410K (TS)	KLM-2277 TRITO	1
335011900	CRYSTAL OSC CA-301 24.576MHZ	KLM-2277 TRITO	1
335012400	CRYSTAL OSC CA-301 8MHZ	KLM-2277 TRITO	1
335400140	CERAMIC OSC CSTCC8M00G53-R0(TS)	KLM-2330 TRITO	1
350002233	SFR RH0615CN3J 3.3K	KLM-1864 TRITO	1
350002447	SFR RH0615CS5J 470K	KLM-1864 TRITO	1
362009007	VR RK11K1140A9L	KLM-2278/79/80	4
365009500	SLIDE VR EWA NA0C10B14 10KB	KLM-2278/79/80	1
370005000	REC EC11B15204A5	KLM-2278/79/80	1
374000600	TSW EVQ11A09K (TR)	KLM-2278/79/80	54
375014800	PSW SDKLA10200	KLM-2277 TRITO	1
402002800	COIL 2943-666671	KLM-2278/79/80	2
402004600	COIL 2943-666673	KLM-2277 TRITO	3
402006500	COIL TC-600M-3A-5026	KLM-2277 TRITO	1
402007400	AIR COIL SC-0.5X10X16.5TX4R	KLM-2277 TRITO	1
404001050	CHIP INDUCTOR BLM21PG600SN1D	KLM-2277 TRITO	2
404001070	CHIP INDUCTOR BLM18BD102SN1D	KLM-2330 TRITO	6
404001070	CHIP INDUCTOR BLM18BD102SN1D	KLM-2277 TRITO	46
405011500	AC-AC ADAPTOR KA161(100V/3.0A	TRITON LE61 JP	1
405011600	AC-AC ADAPTOR KA163(120V/3.0A	TRITON LE61 US	1
405011600	AC-AC ADAPTOR KA163(120V/3.0A	TRITON LE61 EX	1
405011600	AC-AC ADAPTOR KA163(120V/3.0A	TRITON LE61 CN	1
405011700	AC-AC ADAPTOR KA169(230V/3.0A	TRITON LE61 WG	1
405011700	AC-AC ADAPTOR KA169(230V/3.0A	TRITON LE61 GE	1
405011700	AC-AC ADAPTOR KA169(230V/3.0A	TRITON LE61 FR	1
405011700	AC-AC ADAPTOR KA169(230V/3.0A	TRITON LE61 UK	1
405011800	AC-AC ADAPTOR KA165(240V/3.0A	TRITON LE61 AU	1
420005800	61TP/9S+PCBOARD+AFTERTOUC	TRITON LE61 M.	1
450003100	PHONE JACK LGR4609-7000	KLM-2278/79/80	1
454004300	PHONE JACK YKB21-5012	KLM-2277 TRITO	4
454009900	PHONE JACK YKB21-5074G	KLM-2277 TRITO	3
454011700	DIN CONNECTOR TCS5073-24-4151	KLM-2277 TRITO	1
464002300	FUSE 125V 2A SB2	TRITON LE61 M.	1
471070301	CONNECTOR TOP B3B-PH-K-S (U)	KLM-1864 TRITO	1
471101030	CONNECTOR TOP SC25-03WS	KLM-2277 TRITO	1
471101060	CONNECTOR TOP SC25-06WS	KLM-2277 TRITO	1
471101060	CONNECTOR TOP SC25-06WS	KLM-2278/79/80	1
471102030	CONNECTOR TOP SJ20-03WX	KLM-2278/79/80	1
471102030	CONNECTOR TOP SJ20-03WX	KLM-2277 TRITO	1
471102060	CONNECTOR TOP SJ20-06WX	KLM-2277 TRITO	1
471102080	CONNECTOR TOP SJ20-08WX	KLM-2278/79/80	2
471102080	CONNECTOR TOP SJ20-08WX	KLM-2277 TRITO	1

PART CODE	PART NAME	NOTE	Q'TY
471102080	CONNECTOR TOP SJ20-08WX	KLM-2330 TRITO	1
471102120	CONNECTOR TOP SJ20-12WX	KLM-2278/79/80	2
471102130	CONNECTOR TOP SJ20-13WX	KLM-2277 TRITO	1
471102130	CONNECTOR TOP SJ20-13WX	KLM-2278/79/80	1
471102140	CONNECTOR TOP SJ20-14WX	KLM-2278/79/80	1
471102140	CONNECTOR TOP SJ20-14WX	KLM-2277 TRITO	1
471102150	CONNECTOR TOP SJ20-15WX	KLM-2278/79/80	2
474019500	CONNECTOR 1-215079-6 16P (AMP)	KLM-2330 TRITO	2
474019700	CONNECTOR 76382-404	KLM-1864 TRITO	1
474029500	S.M. CONNECTOR CN015R-3013-0	KLM-2277 TRITO	1
474031000	CONNECTOR B16B-PHDSS	KLM-2277 TRITO	1
474033200	SIMM CONNECTOR 404A-072SABA01	KLM-2277 TRITO	2
474033700	CONNECTOR 302A-50PGAS003	KLM-2277 TRITO	1
475002577	HARNESS HNS-2577	TRITON LE61 M.	1
475002969	HARNESS HNS-2969	TRITON LE61 M.	1
475002970	HARNESS HNS-2970	TRITON LE61 M.	1
475003048	HARNESS HNS-3048	TRITON LE61 M.	1
475003049	HARNESS HNS-3049	TRITON LE61 M.	1
475003051	HARNESS HNS-3051	TRITON LE61 M.	1
475003052	HARNESS HNS-3052	TRITON LE61 M.	1
475003053	HARNESS HNS-3053	TRITON LE61 M.	1
475003054	HARNESS HNS-3054	TRITON LE61 M.	1
475003055	HARNESS HNS-3055	TRITON LE61 M.	1
475003058	HARNESS HNS-3058	TRITON LE61 M.	1
475003059	HARNESS HNS-3059	TRITON LE61 M.	1
475102268	HARNESS HNS-2268(F) L=31CM	TRITON LE61 M.	1
475102269	HARNESS HNS-2269(F) L=25CM	TRITON LE61 M.	1
480010380	DIN JACK YKF51-5041	KLM-2277 TRITO	1
500022500	CASE LEG FF-004	TRITON LE61 M.	5
515400100	FUSE HOLDER CNT47-0003A(TR)	KLM-2277 TRITO	2
525001400	FERRITE CORE F5 T 25X12X15	TRITON LE61 M.	1
540023500	AC PLUG ECP01 05A	TRITON LE61 UK	1
550018900	X-0180 SPONGE KOC-F40970	TRITON LE61 M.	1
575019700	LED SPACER LH-5-5 L=5MM	KLM-2278/79/80	1
620024600	X-952 POWER SW KNOB E40304-2	TRITON LE61 M.	1
620034600	X-631 SVR KNOB(GRAY)E40239-6	TRITON LE61 M.	1
620034700	X-610 ENCODER KNOB(GRAY)E40466	TRITON LE61 M.	1
620043900	KNOB P423-9GF(-0180) E40519-2	TRITON LE61 M.	4
630034200	X-0180 LCD WINDOW KOC-F40962	TRITON LE61 M.	1
630034300	X-0180 REFLECTION FILM F40967	TRITON LE61 M.	1
630034400	X-0180 DIFFUSION FILM F40968	TRITON LE61 M.	1
630034500	X-0180 BLACK FILM KOC-F40969	TRITON LE61 M.	1
641041172	X-323 JACK PLATE 2 KOC-C40963	KLM-2277 TRITO	1
641041648	X-0180 PANEL KOC-C30555	TRITON LE61 M.	1
641041649	X-0180 FRONT BAR KOC-C41228	TRITON LE61 M.	1
641041650	X-0180 BOTTOM COVER KOC-C30557	TRITON LE61 M.	1
641041651	X-0180 REAR OP COVER KOC-C4122	TRITON LE61 M.	1
641041652	X-0180 OP COVER KOC-C41226	TRITON LE61 M.	1
641041653	X-0180 SIMM COVER KOC-C41227	TRITON LE61 M.	1
641041654	X-0180 SUPPORT CHASSIS C30556	TRITON LE61 M.	1
646078700	X-0180 SIDE PLATE L KOC-E10189	TRITON LE61 M.	1

PART CODE	PART NAME	NOTE	Q'TY
646078800	X-0180 SIDE PLATE R KOC-E10190	TRITON LE61 M.	1
646078900	X-0180 KNOB BLOCK A-1 E20211-1	TRITON LE61 M.	1
646079000	X-0180 KNOB BLOCK A-2 E20211-2	TRITON LE61 M.	1
646079100	X-0180 KNOB BLOCK B-1 E10191-1	TRITON LE61 M.	1
646079200	X-0180 KNOB BLOCK B-2 E10191-2	TRITON LE61 M.	1
646079300	X-0180 LIGHT GUIDE HOLDER	TRITON LE61 M.	1
646079600	X-0180 LIGHT GUIDE EY1L-GB01K	TRITON LE61 M.	1
646079700	X-0180 JOYSTICK ASSY H30214-1	TRITON LE61 M.	1

PART CODE	PART NAME	NOTE	Q'TY
001186400	PCB ASSY KLM-1864	TRITON LE76 M.	1
001227700	PCB ASSY KLM-2277 LE61	TRITON LE76 M.	1
001227800	PCB ASSY KLM-2278/9/80/1 LE61	TRITON LE76 M.	1
001233000	PCB ASSY KLM-2330 LE61	TRITON LE76 M.	1
304020230	TR 2SC3661-TA/TB(3K) (TS)	KLM-2277 TRITO	10
304020400	TR 2SA1576A T106 (TS)	KLM-2277 TRITO	1
304050220	DIGITAL TR DTC114ESA TP(TR)	KLM-2278/79/80	8
304050270	DIGITAL TR DTB113ZSTP(TR)	KLM-2278/79/80	8
304060250	FET CPH6302-TL(TS)	KLM-2277 TRITO	1
312053100	LED NSPW510BS	KLM-2278/79/80	1
313005800	LCD MODULE NCM6602B	TRITON LE76 M.	1
314001400	DIODE RLS-73 TE-11 (TS)	KLM-2277 TRITO	1
314010300	DIODE 1S2076TD (TA)	KLM-2278/79/80	8
314028800	LED SLZ-190B-09-T2 (TR)	KLM-2278/79/80	4
314030500	SCHOTTKY DIODE RB160L-40TE25	KLM-2277 TRITO	1
314030600	DIODE 1SR154-400TE25(TS)	KLM-2277 TRITO	1
314030700	SCHOTTKY DIODE RB051L-40TE25	KLM-2277 TRITO	1
314031000	LED SLR-325VRT31(TR)	KLM-2278/79/80	20
314032000	LED SPR-325MVWT31(TR)	KLM-2278/79/80	1
314032100	ZENER DIODE RD6.8ES T1 AB1(TA)	KLM-2278/79/80	1
315000500	DOUBLE DIODE MC-2840-T12-1(TS)	KLM-2277 TRITO	5
320003217	IC TMP87C847U-4458 (S)	KLM-2330 TRITO	1
320004108	IC HD74HC138P	KLM-2278/79/80	2
320004681	IC HD6437043AA21F (S)	KLM-2277 TRITO	1
320012223	IC MB87F1710PFV-G-BND(S)	KLM-2277 TRITO	1
320012298	MBM29F160BE-70FTN-K(X-0180L):S	KLM-2277 TRITO	1
320012299	MBM29F160BE-70FTN-K(X-0180H):S	KLM-2277 TRITO	1
320040038	IC MX23C6410MC-10 BK4-H (S)	KLM-2277 TRITO	1
320040039	IC MX23C6410MC-10 BK4-L (S)	KLM-2277 TRITO	1
320040040	IC MX23C6410MC-10 BK5-H (S)	KLM-2277 TRITO	1
320040041	IC MX23C6410MC-10 BK5-L (S)	KLM-2277 TRITO	1
324001015	IC UPC4570G2-E2 (TS)	KLM-2277 TRITO	4
324001167	IC UPC78L05T-E2 (TS)	KLM-2277 TRITO	1
324003010	IC TC7WU04F TE12L (TS)	KLM-2277 TRITO	1
324003022	IC TC7S04FU (TE85L) (TS)	KLM-2277 TRITO	1
324003042	IC TC7W04F (TE12L) (TS)	KLM-2277 TRITO	1
324007011	IC BA09FP-E2 (TS)	KLM-2277 TRITO	1
324007012	IC BA033LBSG-TR(TS)	KLM-2277 TRITO	1
324009019	IC NJM2115M-TE2 (TS)	KLM-1864 TRITO	1
324011004	IC M5216FP-600C (TS)	KLM-2277 TRITO	1
324017014	IC RN5VD45AA-TR (TS)	KLM-2277 TRITO	1
324021013	IC SN74LV74ANS-EL (TS)	KLM-2277 TRITO	1
324021015	IC SN74LV08ANS-EL(TS)	KLM-2277 TRITO	1
324021025	IC SN74AHCT240PWR(TS)	KLM-2277 TRITO	1
324021030	IC SN74LV04ANSR (TS)	KLM-2277 TRITO	1
324021102	IC SN74LV08APWR (TS)	KLM-2277 TRITO	3
324021103	IC SN74LV32APWR (TS)	KLM-2277 TRITO	2
324021104	IC SN74LV74APWR (TS)	KLM-2277 TRITO	1
324021105	IC SN74LV245APWR (TS)	KLM-2277 TRITO	1
324021106	IC SN74LV139APWR (TS)	KLM-2277 TRITO	2
324021108	IC SN74LV138APWR (TS)	KLM-2277 TRITO	1

PART CODE	PART NAME	NOTE	Q'TY
324021110	IC SN74LV574APWR (TS)	KLM-2277 TRITO	1
324021114	IC SN74LV05APWR (TS)	KLM-2277 TRITO	1
324021119	IC SN74LV4051APWR (TS)	KLM-2277 TRITO	1
324021122	IC SN74LV139ANSR (TS)	KLM-2277 TRITO	1
324021123	IC SN74LV125ANSR (TS)	KLM-2277 TRITO	1
324023007	IC S-8520F50MC-B0J-T2(TS)	KLM-2277 TRITO	1
324024001	IC L1087MPX-ADJ (TS)	KLM-2277 TRITO	1
324027011	IC GM71C18163CJ-6(T) (TS)	KLM-2277 TRITO	3
324036008	IC PCM1716E/2K(TS)	KLM-2277 TRITO	2
324045003	IC 93LC66BT-I/SN(X16 TYPE)(TS)	KLM-2277 TRITO	1
334000600	PHOTO COUPLER PC-410K (TS)	KLM-2277 TRITO	1
335011900	CRYSTAL OSC CA-301 24.576MHZ	KLM-2277 TRITO	1
335012400	CRYSTAL OSC CA-301 8MHZ	KLM-2277 TRITO	1
335400140	CERAMIC OSC CSTCC8M00G53-R0(TS)	KLM-2330 TRITO	1
350002233	SFR RH0615CN3J 3.3K	KLM-1864 TRITO	1
350002447	SFR RH0615CS5J 470K	KLM-1864 TRITO	1
362009007	VR RK11K1140A9L	KLM-2278/79/80	4
365009500	SLIDE VR EWA NA0C10B14 10KB	KLM-2278/79/80	1
370005000	REC EC11B15204A5	KLM-2278/79/80	1
374000600	TSW EVQ11A09K (TR)	KLM-2278/79/80	54
375014800	PSW SDKLA10200	KLM-2277 TRITO	1
402002800	COIL 2943-666671	KLM-2278/79/80	2
402004600	COIL 2943-666673	KLM-2277 TRITO	3
402006500	COIL TC-600M-3A-5026	KLM-2277 TRITO	1
402007400	AIR COIL SC-0.5X10X16.5TX4R	KLM-2277 TRITO	1
404001050	CHIP INDUCTOR BLM21PG600SN1D	KLM-2277 TRITO	2
404001070	CHIP INDUCTOR BLM18BD102SN1D	KLM-2277 TRITO	46
404001070	CHIP INDUCTOR BLM18BD102SN1D	KLM-2330 TRITO	6
405011500	AC-AC ADAPTOR KA161(100V/3.0A	TRITON LE76 JP	1
405011600	AC-AC ADAPTOR KA163(120V/3.0A	TRITON LE76 CN	1
405011600	AC-AC ADAPTOR KA163(120V/3.0A	TRITON LE76 EX	1
405011600	AC-AC ADAPTOR KA163(120V/3.0A	TRITON LE76 US	1
405011700	AC-AC ADAPTOR KA169(230V/3.0A	TRITON LE76 FR	1
405011700	AC-AC ADAPTOR KA169(230V/3.0A	TRITON LE76 GE	1
405011700	AC-AC ADAPTOR KA169(230V/3.0A	TRITON LE76 UK	1
405011700	AC-AC ADAPTOR KA169(230V/3.0A	TRITON LE76 WG	1
405011800	AC-AC ADAPTOR KA165(240V/3.0A	TRITON LE76 AU	1
420005900	76TP/9+PCBOARD+AFTERTOUC	TRITON LE76 M.	1
450003100	PHONE JACK LGR4609-7000	KLM-2278/79/80	1
454004300	PHONE JACK YKB21-5012	KLM-2277 TRITO	4
454009900	PHONE JACK YKB21-5074G	KLM-2277 TRITO	3
454011700	DIN CONNECTOR TCS5073-24-4151	KLM-2277 TRITO	1
464002300	FUSE 125V 2A SB2	TRITON LE76 M.	1
471070301	CONNECTOR TOP B3B-PH-K-S (U)	KLM-1864 TRITO	1
471101030	CONNECTOR TOP SC25-03WS	KLM-2277 TRITO	1
471101060	CONNECTOR TOP SC25-06WS	KLM-2277 TRITO	1
471101060	CONNECTOR TOP SC25-06WS	KLM-2278/79/80	1
471102030	CONNECTOR TOP SJ20-03WX	KLM-2277 TRITO	1
471102030	CONNECTOR TOP SJ20-03WX	KLM-2278/79/80	1
471102060	CONNECTOR TOP SJ20-06WX	KLM-2277 TRITO	1
471102080	CONNECTOR TOP SJ20-08WX	KLM-2277 TRITO	1

PART CODE	PART NAME	NOTE	Q'TY
471102080	CONNECTOR TOP SJ20-08WX	KLM-2278/79/80	2
471102080	CONNECTOR TOP SJ20-08WX	KLM-2330 TRITO	1
471102120	CONNECTOR TOP SJ20-12WX	KLM-2278/79/80	2
471102130	CONNECTOR TOP SJ20-13WX	KLM-2277 TRITO	1
471102130	CONNECTOR TOP SJ20-13WX	KLM-2278/79/80	1
471102140	CONNECTOR TOP SJ20-14WX	KLM-2277 TRITO	1
471102140	CONNECTOR TOP SJ20-14WX	KLM-2278/79/80	1
471102150	CONNECTOR TOP SJ20-15WX	KLM-2278/79/80	2
474019500	CONNECTOR 1-215079-6 16P (AMP)	KLM-2330 TRITO	2
474019600	CONNECTOR 2-215079-0 20P (AMP)	KLM-2330 TRITO	1
474019700	CONNECTOR 76382-404	KLM-1864 TRITO	1
474029500	S.M. CONNECTOR CN015R-3013-0	KLM-2277 TRITO	1
474031000	CONNECTOR B16B-PHDSS	KLM-2277 TRITO	1
474033200	SIMM CONNECTOR 404A-072SABA01	KLM-2277 TRITO	2
474033700	CONNECTOR 302A-50PGAS003	KLM-2277 TRITO	1
475002577	HARNESS HNS-2577	TRITON LE76 M.	1
475002970	HARNESS HNS-2970	TRITON LE76 M.	1
475003049	HARNESS HNS-3049	TRITON LE76 M.	1
475003051	HARNESS HNS-3051	TRITON LE76 M.	1
475003052	HARNESS HNS-3052	TRITON LE76 M.	1
475003053	HARNESS HNS-3053	TRITON LE76 M.	1
475003054	HARNESS HNS-3054	TRITON LE76 M.	1
475003055	HARNESS HNS-3055	TRITON LE76 M.	1
475003058	HARNESS HNS-3058	TRITON LE76 M.	1
475003059	HARNESS HNS-3059	TRITON LE76 M.	1
475003100	HAENESS HNS-3100	TRITON LE76 M.	1
475003101	HARNESS HNS-3101	TRITON LE76 M.	1
475003102	HARNESS HNS-3102	TRITON LE76 M.	1
475102264	HARNESS HNS-2264 (F)	TRITON LE76 M.	1
475102268	HARNESS HNS-2268(F) L=31CM	TRITON LE76 M.	1
480010380	DIN JACK YKF51-5041	KLM-2277 TRITO	1
500022500	CASE LEG FF-004	TRITON LE76 M.	5
500033300	X-0180 KB SPONGE KOC-F40988-1	TRITON LE76 M.	1
500033400	X-1120 KB SPONGE KOC-F40988-2	TRITON LE76 M.	1
515400100	FUSE HOLDER CNT47-0003A(TR)	KLM-2277 TRITO	2
525001400	FERRITE CORE F5 T 25X12X15	TRITON LE76 M.	1
540023500	AC PLUG ECP01 05A	TRITON LE76 UK	1
550018900	X-0180 SPONGE KOC-F40970	TRITON LE76 M.	1
575019700	LED SPACER LH-5-5 L=5MM	KLM-2278/79/80	1
620024600	X-952 POWER SW KNOB E40304-2	TRITON LE76 M.	1
620034600	X-631 SVR KNOB(GRAY)E40239-6	TRITON LE76 M.	1
620034700	X-610 ENCODER KNOB(GRAY)E40466	TRITON LE76 M.	1
620043900	KNOB P423-9GF(-0180) E40519-2	TRITON LE76 M.	4
630034200	X-0180 LCD WINDOW KOC-F40962	TRITON LE76 M.	1
630034300	X-0180 REFLECTION FILM F40967	TRITON LE76 M.	1
630034400	X-0180 DIFFUSION FILM F40968	TRITON LE76 M.	1
630034500	X-0180 BLACK FILM KOC-F40969	TRITON LE76 M.	1
641041172	X-323 JACK PLATE 2 KOC-C40963	KLM-2277 TRITO	1
641041651	X-0180 REAR OP COVER KOC-C4122	TRITON LE76 M.	1
641041652	X-0180 OP COVER KOC-C41226	TRITON LE76 M.	1
641041653	X-0180 SIMM COVER KOC-C41227	TRITON LE76 M.	1

PART CODE	PART NAME	NOTE	Q'TY
641041659	X-1120 BOTTOM COVER KOC-C30565	TRITON LE76 M.	1
641041660	X-1120 PANEL KOC-C30564	TRITON LE76 M.	1
641041661	X-1120 FRONT BAR KOC-C41228-2	TRITON LE76 M.	1
641041662	X-1120 SUPPORT CHASSIS C30566	TRITON LE76 M.	1
646078700	X-0180 SIDE PLATE L KOC-E10189	TRITON LE76 M.	1
646078900	X-0180 KNOB BLOCK A-1 E20211-1	TRITON LE76 M.	1
646079000	X-0180 KNOB BLOCK A-2 E20211-2	TRITON LE76 M.	1
646079100	X-0180 KNOB BLOCK B-1 E10191-1	TRITON LE76 M.	1
646079200	X-0180 KNOB BLOCK B-2 E10191-2	TRITON LE76 M.	1
646079300	X-0180 LIGHT GUIDE HOLDER	TRITON LE76 M.	1
646079600	X-0180 LIGHT GUIDE EY1L-GB01K	TRITON LE76 M.	1
646079700	X-0180 JOYSTICK ASSY H30214-1	TRITON LE76 M.	1
646080000	X-1120 SIDE PLATE R E10190-2	TRITON LE76 M.	1