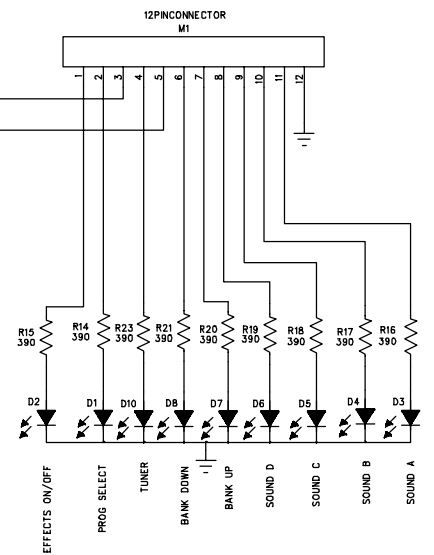
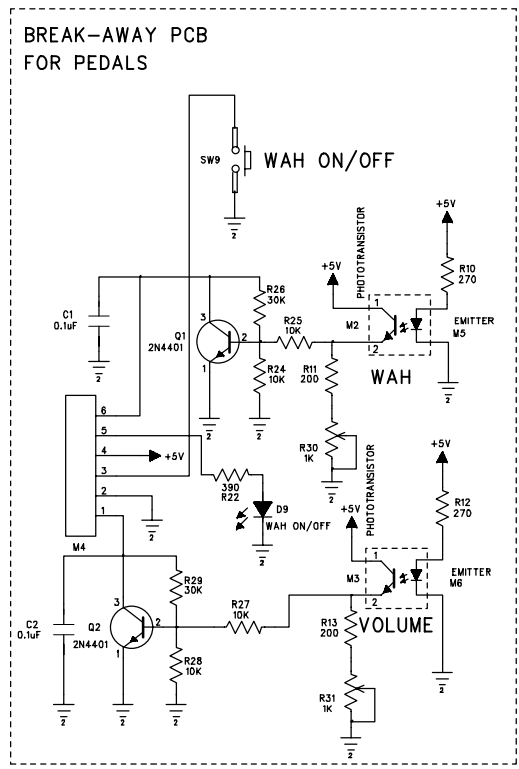


NOTE: The connections from M1 (12-pin connector) to M3 on the digital board are reversed. Gnd is connected to pin #1 on M3. The reversed connections are compensated for by the reversed cable wiring between M1 & M3.



REVISION RECORD FOR SCHEMATIC & PCB LAYOUT		
ECO NO:	DATE:	DESCRIPTION:
	12/8/96	Changed connections to 6 & 12 pin headers to eliminate reversed pin order on part decals (pin 6 or 12 is pin 1 ect.).
	12/8/96	Changed pin #1 of M2, M3 phototransistor to a square pad.
	12/8/96	Moved 6 & 12 pin headers away from edge of board.
	12/8/96	Moved T0-92 pins closer together.
	12/19/96	Changed circuitry for sensor.
	12/19/96	Added C1,C2 (0.1uF caps).



COMPANY: LINE 6			
TITLE: AXSYS FLOORBOARD SWITCH BOARD			
CODE:	SIZE: C	PART NUMBER: 35-00-0020	REV: A
		FILENAME: FB_SW_A.SCH	
DRAWN: ERIK VON PLOENIES		DATED: 4/21/97	SCALE: 1:1
			SHEET: 1 OF 1

6

5

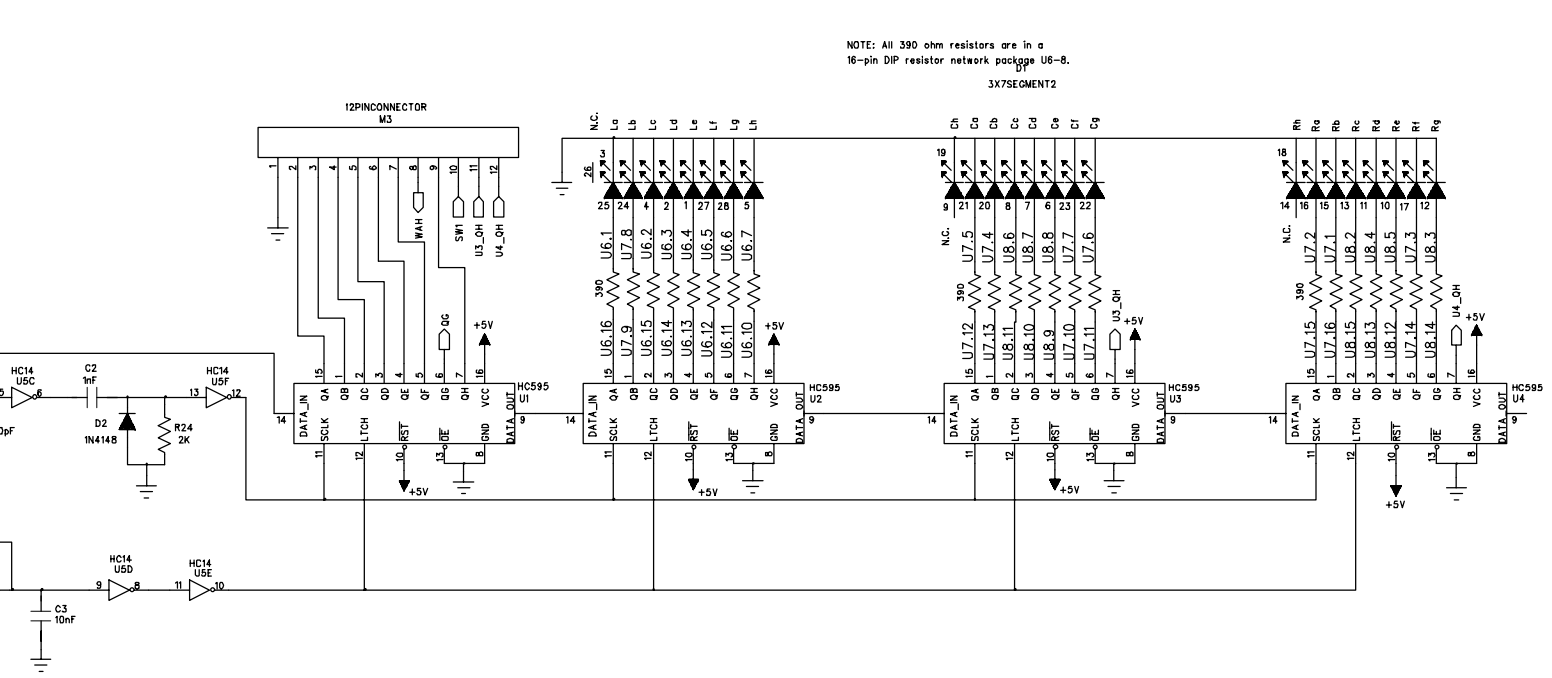
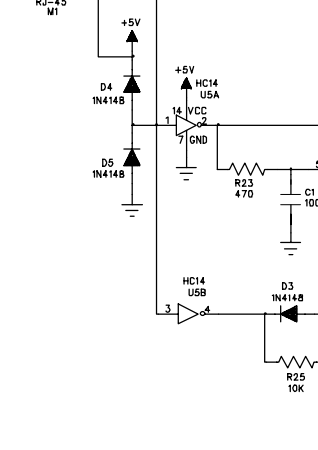
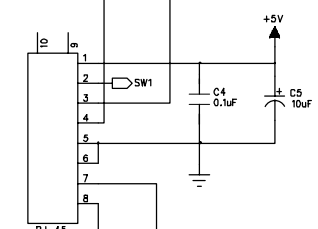
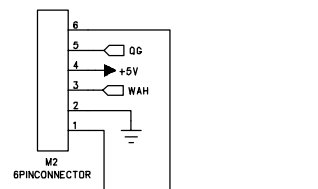
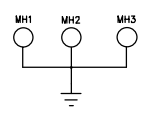
4

3

2

1

REVISION RECORD FOR SCHEMATIC & PCB LAYOUT		
ECO NO:	DATE:	DESCRIPTION:
	12/8/96	Changed connections to 6 & 12 pin headers to eliminate reversed pin order on part decals (pin 6 or 12 is pin 1 ect..)
	12/8/96	Moved 6 & 12 pin headers away from edge of board.
	12/13/96	RJ-45 Jack: Pin #8=+5v, pin #6=gn
	12/13/96	Replaced 330 ohm resistors with 390 ohm resistor network ICs.
	1/15/97	Changed R24 from 1.5K to 2K.



NOTE: All 390 ohm resistors are in a 16-pin DIP resistor network package U6-8.

3X7SEGMENT2

D

C

B

A

D

C

B

A

COMPANY: LINE 6			
TITLE: AXSYS FLOORBOARD DIGITAL BOARD			
CODE:	SIZE: C	PART NUMBER: 35-00-0021	REV: A
		FILENAME: FB_DIG_A.SCH	
DRAWN: ERIK VON PLOENIES		DATED: 4/21/97	SCALE: SHEET: 1 OF 1

Floorbaord Parts List

Including: Reference Designators

Level	Seq	Component-Item	Component-Description	Opr	UOM	Qty-Per-Parent
=====						
Parent Item: 99-FLOOR BOARD FLOOR BOARD FOOT PEDAL Loc: L6M LLC: 0						
1		21-33-2008	CABLE REMOTE RJ 45 LAN, 25'	0	EA	1.000000
1		21-34-4012	CABLE ASSY. 12 WIRES	0	EA	1.000000
1		21-34-8006	CABLE ASSY. 6 WIRES	0	EA	1.000000
1		24-32-0108	SWITCH ACTUATOR	0	EA	8.000000
1		30-00-0102	NYLON SCREW	0	EA	2.000000
1		30-00-0400	NYLON NUT	0	EA	2.000000
1		30-00-0607	6-32x7/16 Phil Panhead zinc mach. screw w/ext. lock washer	0	EA	12.000000
1		30-00-1632	6-32x3/8 philips panhead screw taptite black	0	EA	22.000000
1		30-00-3684	10-24x3/4 PH TRUSS MACH. SCREW ZINC	0	EA	4.000000
1		30-00-5064	SCREW FOR FILM STRIP 50645-W X	0	EA	2.000000
1		30-03-0010	#10 Finishing washer for transformer zinc	0	EA	4.000000
1		30-03-6836	WASHER FOR PEDAL NYLON 1/32	0	EA	8.000000
1		30-03-6837	WASHER FOR PEDAL NYLON 1/8	0	EA	4.000000
1		30-06-0024	NUT 10-24 with nylon insert	0	EA	4.000000
1		30-42-0020	Overlay, Floorboard	0	EA	1.000000
1		30-42-1120	FILM STRIP FOR FB PEDAL	0	EA	2.000000

1	30-48-5012	BUMPER FLOOR BOARD BLACK	0 EA	6.000000
1	30-51-0020	Metal Switch Bracket Floorboard	0 EA	2.000000
1	30-51-0021	Metal Pedal Floorboard	0 EA	2.000000
1	30-51-0022	Metal Pedal Bracket Floorboard	0 EA	2.000000
1	30-51-0023	Metal Bottom Floorboard	0 EA	1.000000
1	30-51-0024	Metal Top Floorboard	0 EA	1.000000
1	30-75-0001	PEDAL RUBBER TOP	0 EA	2.000000
1	30-75-0010	PEDAL SWITCH RUBBER PAD	0 EA	2.000000
1	30-75-5514	PEDAL RUBBER STOP 3M 70070080083	0 EA	4.000000
1	40-00-0020	Manual, User's, Floorboard	0 EA	1.000000
1	40-00-0022	POLYFOAM END CAPS SETS, 2 PCS PER SET	0 EA	1.000000
1	40-00-1000	Line 6 Warranty Information Ca rd	0 EA	1.000000
1	40-03-0020	Registration Card - Floorboard	0 EA	1.000000
1	40-10-0020	Carton, Floorboard, unit	0 EA	1.000000
1	40-20-0020	Plastic Bag, 11 X 32, 4 mil Floorboard	0 EA	1.000000
1	40-20-0021	Plastic Bag, 10 x 12, 2 mil Floorboard manual & cable	0 EA	1.000000
1	40-30-0020	Label, Serial No. 1wX.5L, 2 accros Gloss, Silver Duropoly 613	0 EA	2.000000
1	50-00-0020	ASSY. FB SWITCH BOARD	0 EA	1.000000
2	01-12-0101	RES 100R 1/4W 5% DIP TH	0 EA	1.000000

2	01-12-0121	Ref: R1 RES 120R 1/4W 5% DIP TH	0 EA	1.000000
2	01-12-0151	Ref: R2 RES 150R 1/4W 5% DIP TH	0 EA	1.000000
2	01-12-0183	Ref: R3 RES 18K 1/4W 5% DIP TH	0 EA	1.000000
2	01-12-0201	Ref: R9 RES 200R 1/4W 5% DIP TH	0 EA	1.000000
2	01-12-0241	Ref: R4 RES 240R 1/4W 5% DIP TH	0 EA	1.000000
2	01-12-0302	Ref: R5 RES 3.0K 1/4W 5% DIP TH	0 EA	1.000000
2	01-12-0361	Ref: R7 RES 360R 1/4W 5% DIP TH	0 EA	1.000000
2	01-12-0391	Ref: R6 RES 390R 1/4W 5% DIP TH	0 EA	9.000000
2	01-12-0512	Ref: R14-R20,R23 RES 5.1K 1/4W 5% DIP TH	0 EA	1.000000
2	18-00-0314	Ref: R8 RED LED TH SLX-LX3054ID	0 EA	9.000000
2	21-20-4572	Ref: D1-D8,D10 CONNECTOR HEADER 12 PIN RGT. A NGLE 1-640457-2	0 EA	1.000000
2	24-31-0100	Ref: M1 TACT SWITCH E SWITCH TL1100D Before ordering this part, <a href="#">CLICK HERE</a>	0 EA	8.000000
2	30-15-0450	Ref: SW1 - SW9 LED Spacer, 450 Mil ELM 4-450	0 EA	9.000000
		Ref: D1 - D8, D10		

1	50-00-0021	ASSY. FB CONTROL (DISPLAY) BOARD			1.000000
2	01-12-0103	RES 10K 1/4W 5% DIP TH	0	EA	1.000000
2	01-12-0202	Ref: R25 RES 2.0K 1/4W 5% DIP TH	0	EA	1.000000
2	01-12-0471	Ref: R24 RES 470R 1/4W 5% DIP TH	0	EA	1.000000
2	01-60-0391	Ref: R23 RESISTOR NETWORK 390 ohm 8, 5 % 18PIN	0	EA	3.000000
2	03-00-0101	Ref: U6, U7, U8 CAP 100PF 50V 20% CER DISC TH	0	EA	1.000000
2	03-00-0102	Ref: C1 CAP 1nF 50V 20% CER DISC TH	0	EA	1.000000
2	03-00-0406	Ref: C2 Capacitor, .01uF, 50V MIN	0	EA	1.000000
2	03-18-0106	Ref: C3 CAP 10uF 50V 20% RADIAL ELEC TH	0	EA	1.000000
2	03-36-0104	Ref: C5 CAP 0.1uF 50V 20% ESTR TH	0	EA	1.000000
2	06-00-4148	Ref: C4 DIODE 4.0 N/S 100V SINGLE JUNCTION 1N4148	0	EA	4.000000
2	15-12-0014	Ref: D2, D3, D4, D5 HEX SXHMITT INVERTER T.I.	0	EA	1.000000
2	15-62-0595	Ref: U5 OCTAL SHIFT REGISTER T.I. SN7 4HC595N	0	EA	4.000000
2	18-10-0003	Ref: U1 - U4 7 segment RED, 3 digit led LDT-C514RI	0	EA	1.000000
2	21-16-0045	Ref: D1 CON RJ-45 female 8 conductor	0	EA	1.000000

		Ref: M1		
2	21-20-4572	CONNECTOR HEADER 12 PIN RGT. A	0 EA	1.000000
		ANGLE 1-640457-2		
		Ref: M3		
2	21-20-4576	CONNECTOR HEADER 6 PIN RGT.	0 EA	1.000000
		ANGLE 640457-6		
		Ref: M2		
1	50-00-0023	ASSY., FB STRIP BOARD (Wah/Volume PCBA)		1.000000
2	01-12-0103	RES 10K 1/4W 5% DIP TH	0 EA	4.000000
		Ref: R24,R25,R27,R28		
2	01-12-0201	RES 200R 1/4W 5% DIP TH	0 EA	2.000000
		Ref: R11,R13		
2	01-12-0271	RES 270R 1/4W 5% DIP TH	0 EA	2.000000
		Ref: R10,R12		
2	01-12-0303	RES 30K 1/4W 5% DIP TH	0 EA	2.000000
		Ref: R26,R29		
2	01-12-0391	RES 390R 1/4W 5% DIP TH	0 EA	1.000000
		Ref: R22		
2	01-52-0102	TRIMMER POTENTIOMETER 1K OHM	0 EA	2.000000
		Ref: R30,R31		
2	03-36-0104	CAP 0.1uF 50V 20% ESTR TH	0 EA	2.000000
		Ref: C1,C2		
2	09-00-4401	TRANS NPN Small Signal TH	0 EA	2.000000
		Ref: Q1,Q2		
2	18-00-0314	RED LED TH	0 EA	1.000000
		SLX-LX3054ID		
		Ref: D9		
2	21-20-4576	CONNECTOR HEADER 6 PIN RGT.	0 EA	1.000000
		ANGLE 640457-6		

		Ref: M4				
2	24-31-0100	TACK SWITCH	E SWITCH TL1100D	0	EA	1.000000
		Ref: SW9				
2	45-10-2056	PHOTOTRANSISTOR TESTED		0	EA	2.000000
		LUMEX# OED-ST-1556SN				
		Ref: M2,M3				
2	30-15-0420	LED Spacer, 2mm		0	EA	1.000000
		ELM4-2MM				
		Ref: D9				
2	45-10-4556	INFARED LED, YELLOW, TESTED		0	EA	2.000000
		LUMEX# OED-CL-1556SN				
					M Y	
		Ref: M5,M6				