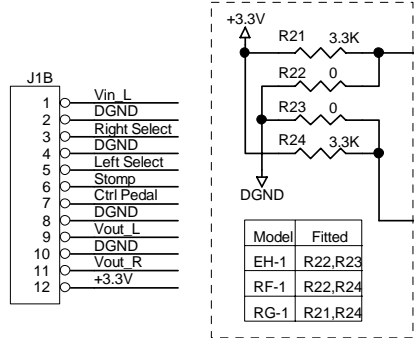
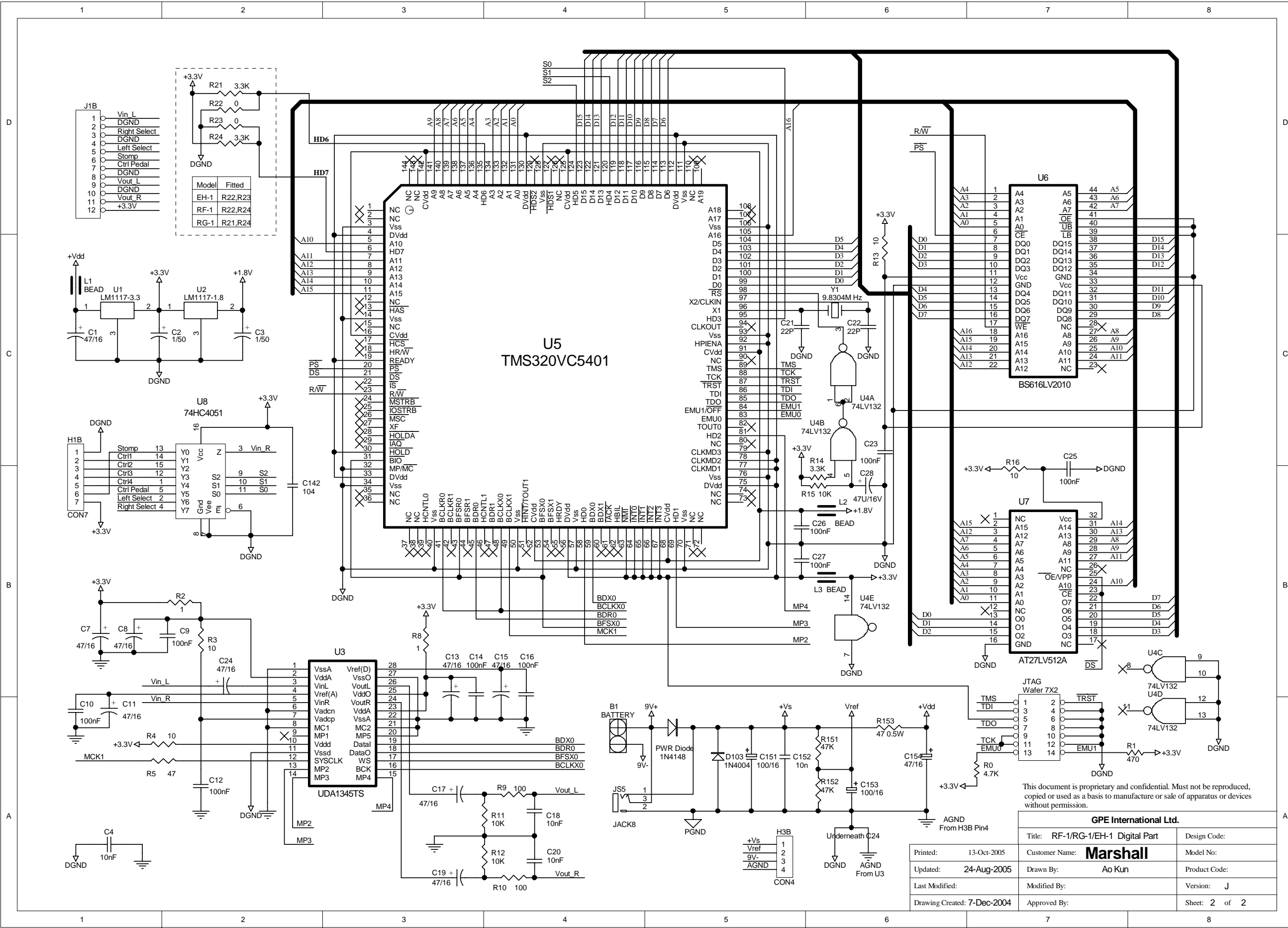
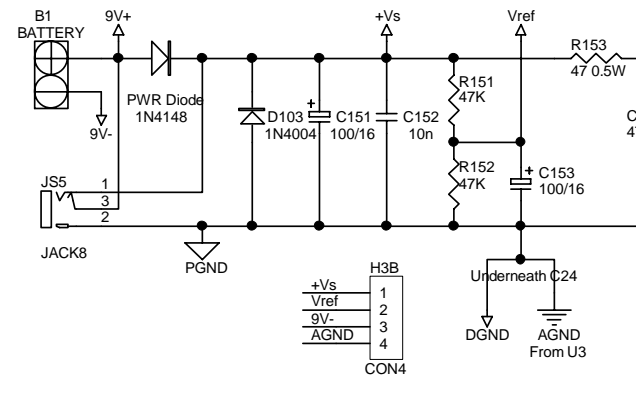
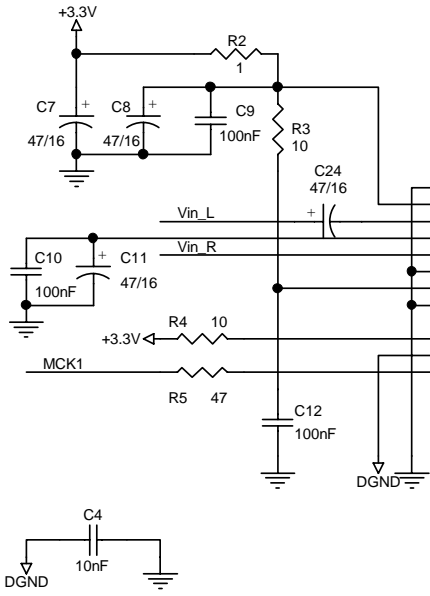
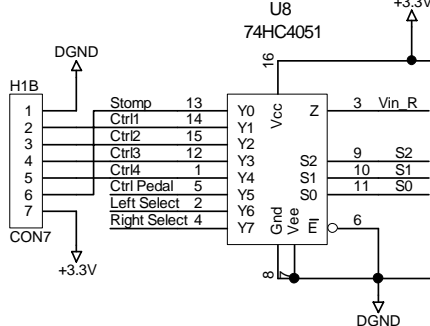
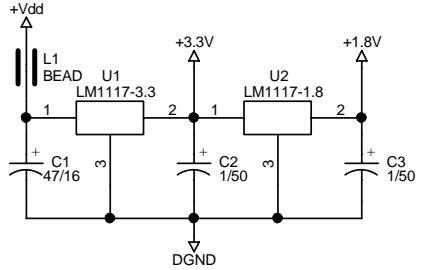


This document is proprietary and confidential. Must not be reproduced, copied or used as a basis to manufacture or sale of apparatus or devices without permission.

GPE International Ltd.		
Title:	RF-1/RG-1/EH-1 Analog Part	Design Code:
Printed:	19-Sep-2005	Customer Name: <b>Marshall</b>
Updated:		Model No:
		Product Code:
Last Modified:	19-Sep-2005	Modified By: Aokun
		Version: N
Drawing Created:	6-Dec-2004	Approved By:
		Sheet: 1 of 2



Model	Fitted
EH-1	R22,R23
RF-1	R22,R24
RG-1	R21,R24



Pin	Signal
1	+Vs
2	Vref
3	9V
4	AGND

This document is proprietary and confidential. Must not be reproduced, copied or used as a basis to manufacture or sale of apparatus or devices without permission.

GPE International Ltd.		
Title: RF-1/RG-1/EH-1 Digital Part	Customer Name: <b>Marshall</b>	Design Code:
Updated: 24-Aug-2005	Drawn By: Ao Kun	Model No:
Last Modified:	Modified By:	Product Code:
Drawing Created: 7-Dec-2004	Approved By:	Version: J
		Sheet: 2 of 2