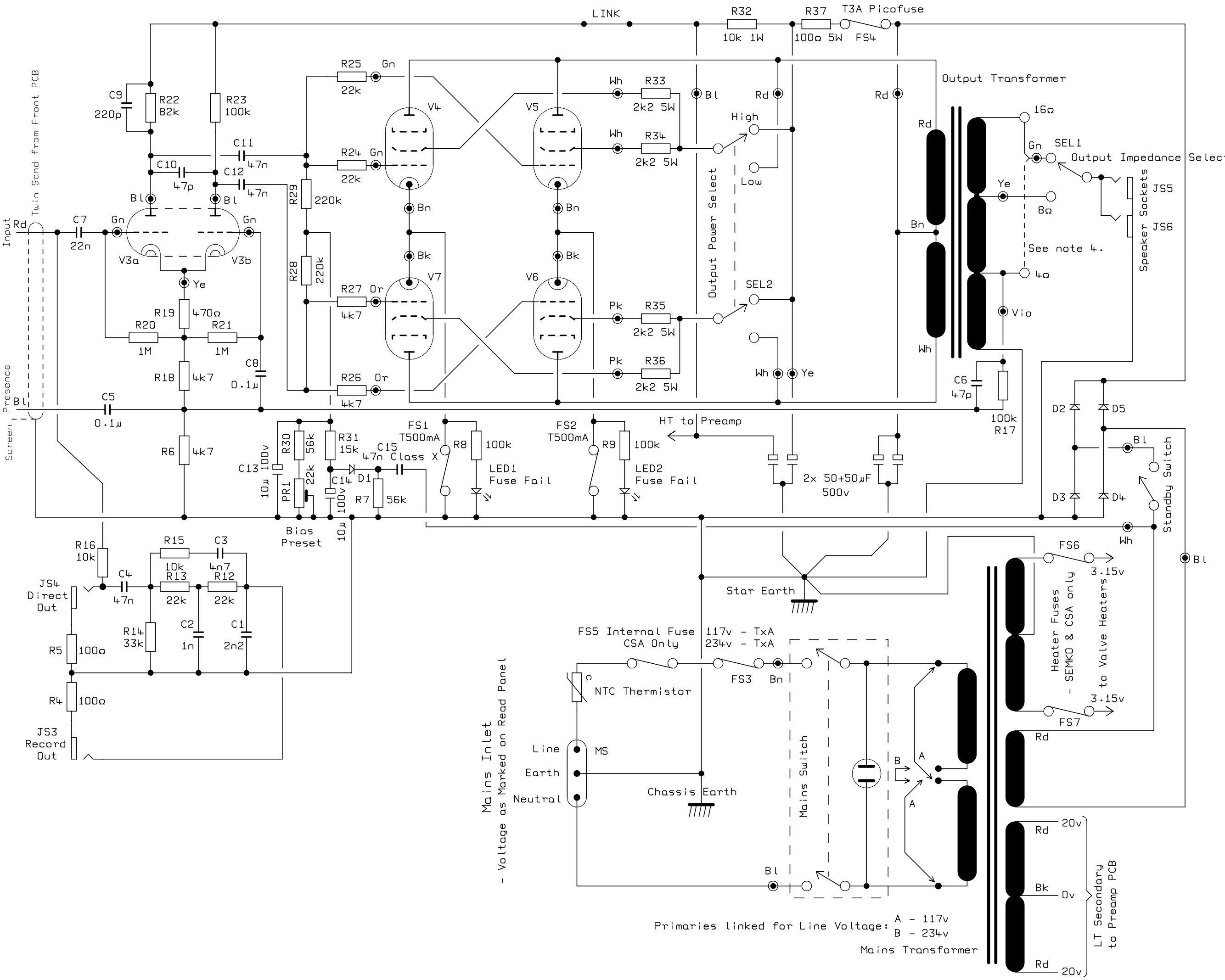


**NOTES:**

1. D1-5: 1N4007.
2. PCB: JMP50A
3. Effects loop components shown on preamp cct. diag.
4. Output impedance select can be wired for either 8 & 16Ω (normal) or 4 & 8Ω.



1	31-10-89	CPV
<b>Iss. Date</b>		<b>Drn.</b>
Dwg. Number: CD0192		
<b>JCM900 Series</b>		
100w Power Amp		
Circuit Diagram		
<b>ALL COUNTRIES</b>		
<b>Marshall</b>		
Jim Marshall (Products) Ltd.		
BLETCHLEY MILTON KEYNES ENGLAND		
File: 900-100.DGM		

