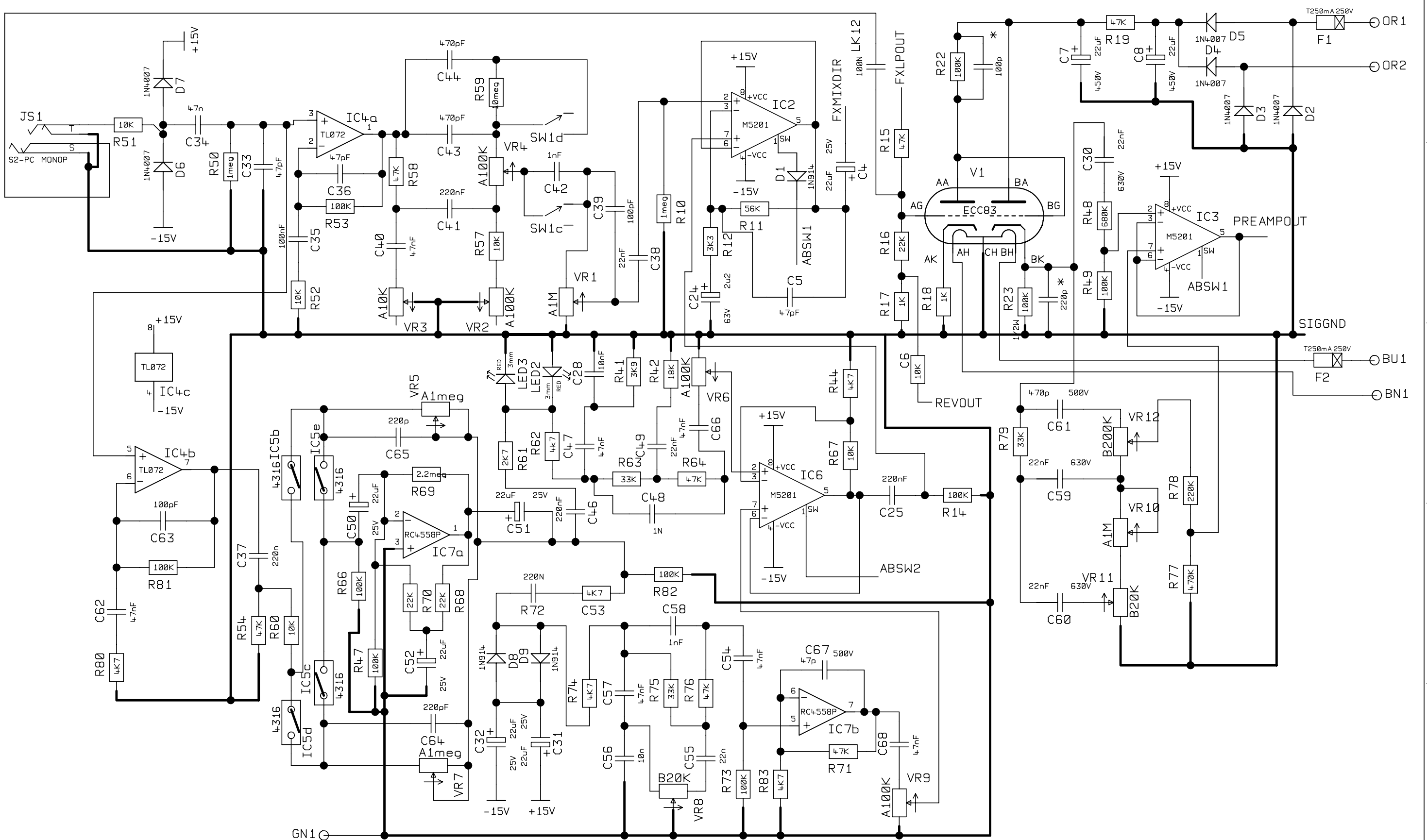



DWG.No.V100-60-02



* CAPACITORS FITTED ON EUROPEAN UNITS ONLY. REF CONCESSION 1112

COMPONENTS C67 AND R41 NOT FITTED.

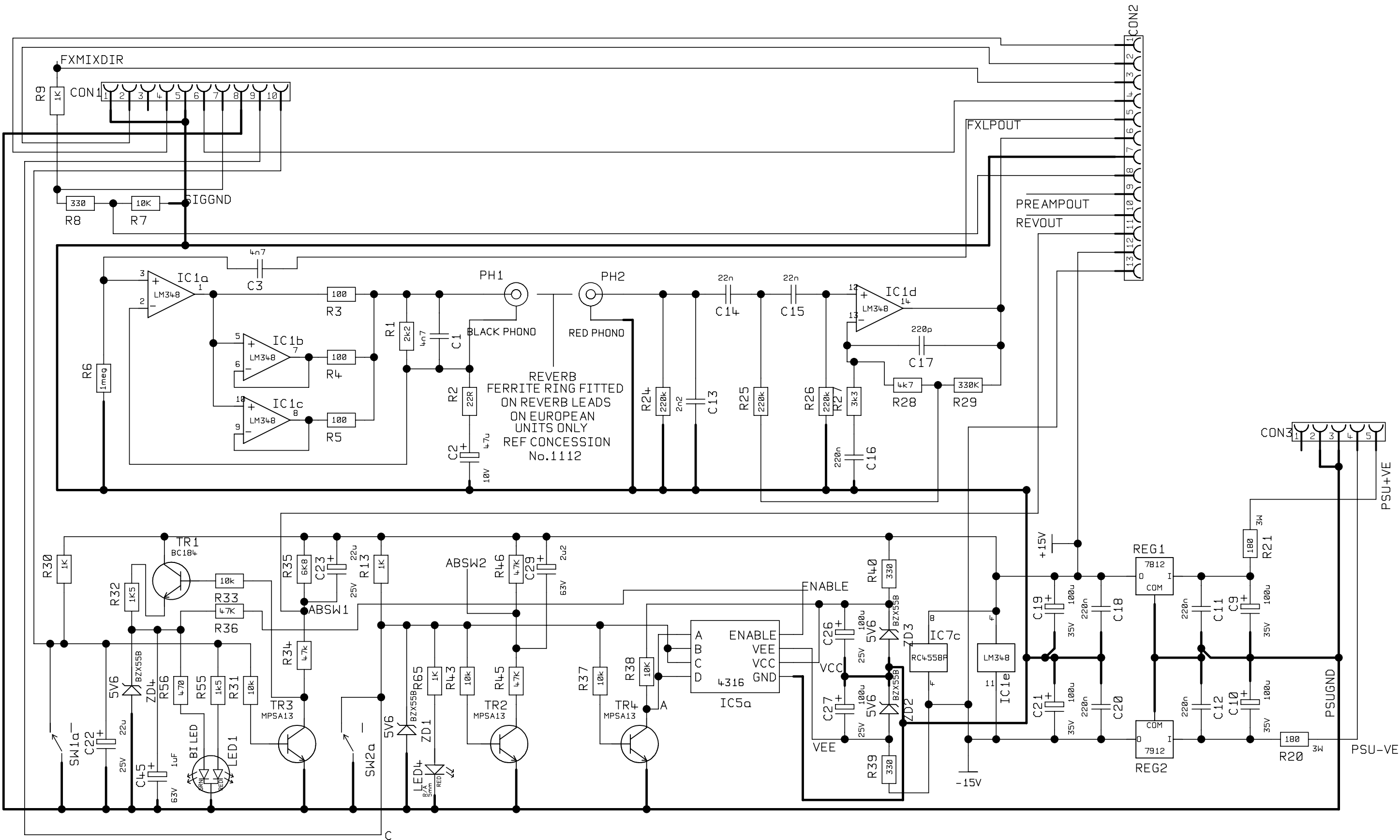
3		1164		26-04-96		A		E		J		N		MATERIAL		DIMENSIONS IN				TITLE	
2		1110		13-2-96		B		F		K		P		MATERIAL THICKNESS		TOLERANCE (UNLESS OTHERWISE STATED)				PRE AMP PCB	
ISS		ECO NUMBER		DATE		C		G		L		Q		DRAWN SG		DATE 17_11_95		MODEL		DWG.No	
A		B		C		D		H		M		R		CHECKED		DATE		VS100		V100-60-02	
														APPROVED		DATE				ISS 3	



© MARSHALL AMPLIFICATION PLC
DENBIGH ROAD, BLETCHLEY, MILTON KEYNES, MK1 1DQ.
TEL: (01908) 375111 FAX: (01908) 376118

TITLE
PRE AMP PCB
SHT 1 OF 2
DWG.No
V100-60-02
ISS
3

DWG.No. V100-60-02



ALL OTHER HOLES = X = (THROUGH PLATED)

3	1164	26-04-96	A	F	J	N
2	1110	13-2-96	B	F	K	P
ISS	ECO NUMBER	DATE	C	G	L	Q
			D	H	M	R

MATERIAL THICKNESS		DATE	
DRAWN SG		17 11 95	
CHECKED		DATE	
APPROVED		DATE	

DIMENSIONS IN	
TOLERANCE (UNLESS OTHERWISE STATED)	
MODEL	VS100



TITLE	PRE AMP PCB SHT 2 OF 2
DWG.No	V100-60-02
ISS	3