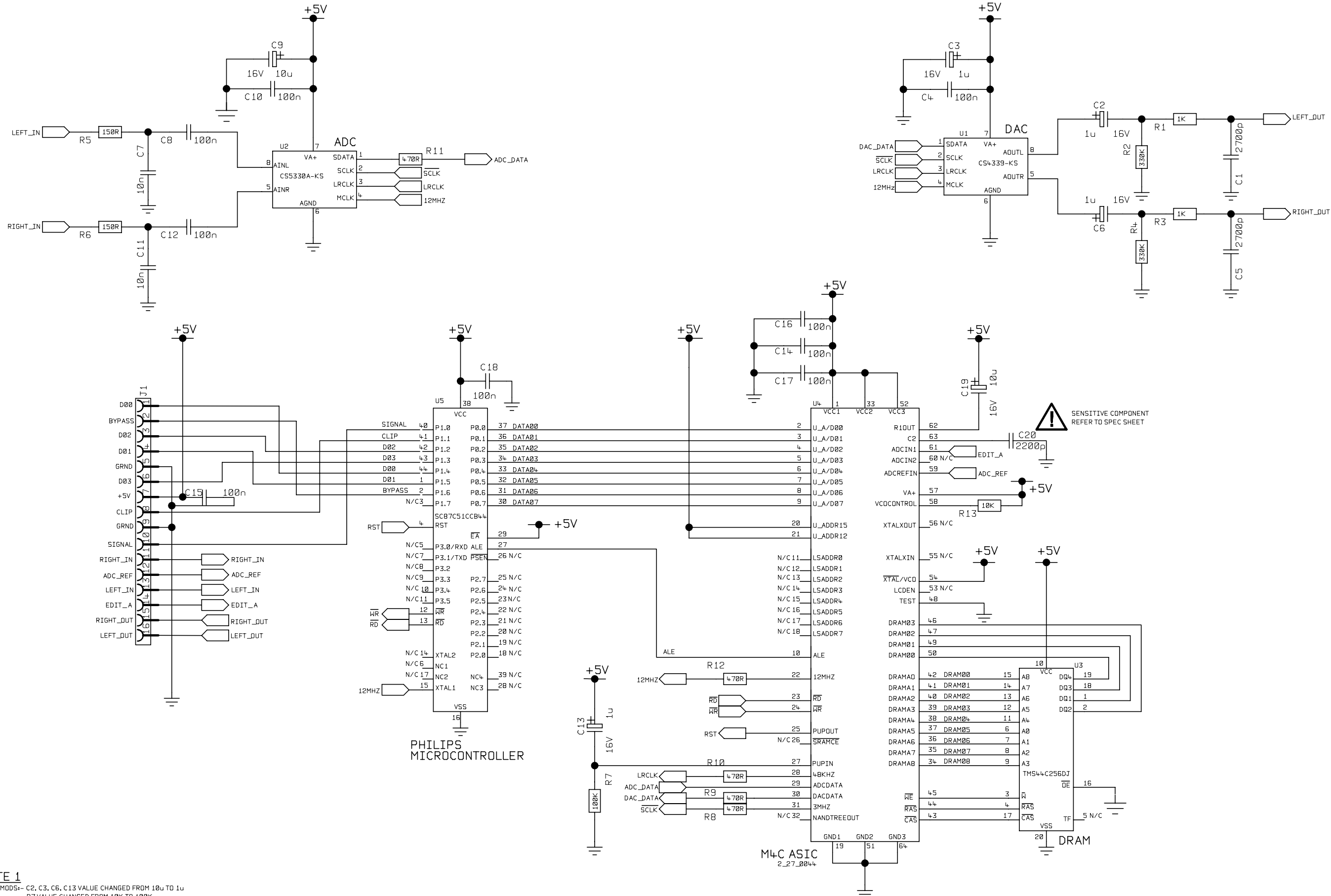


DWG.No. DREV-60-01



SENSITIVE COMPONENT REFER TO SPEC SHEET

NOTE 1  
ISS 2 MODS:- C2, C3, C6, C13 VALUE CHANGED FROM 10u TO 1u  
R7 VALUE CHANGED FROM 10K TO 100K

5	C9 & 19 10u AL, R14 NOW R13	ALL OTHER HOLES =	X = (THROUGH PLATED)				MATERIAL	DIMENSIONS IN	<p>MARSHALL AMPLIFICATION PLC DENBIGH ROAD, BLETCHLEY, MILTON KEYNES, MK1 1DQ. TEL (01908) 375411 FAX (01908) 376118</p>	TITLE	DIGITAL REVERB PCB DWG.No DREV-60-01 ISS 5
4	C9 & 19 NOW 4.7u TANTALUM	A	E	J	N	MATERIAL THICKNESS	TOLERANCE (UNLESS OTHERWISE STATED)				
3	MODS FROM RADAMEC	B	F	K	P	DRAWN A.G.	DATE 24-11-98				
2	REF NOTE 1	C	G	L	Q	CHECKED	DATE				
ISS	ECO NUMBER	D	H	M	R	APPROVED	DATE				

DIGITAL REVERB

**Marshall**  
MARSHALL AMPLIFICATION PLC  
DENBIGH ROAD, BLETCHLEY, MILTON KEYNES, MK1 1DQ.  
TEL (01908) 375411 FAX (01908) 376118

TITLE  
DIGITAL REVERB PCB  
DWG.No DREV-60-01 ISS 5