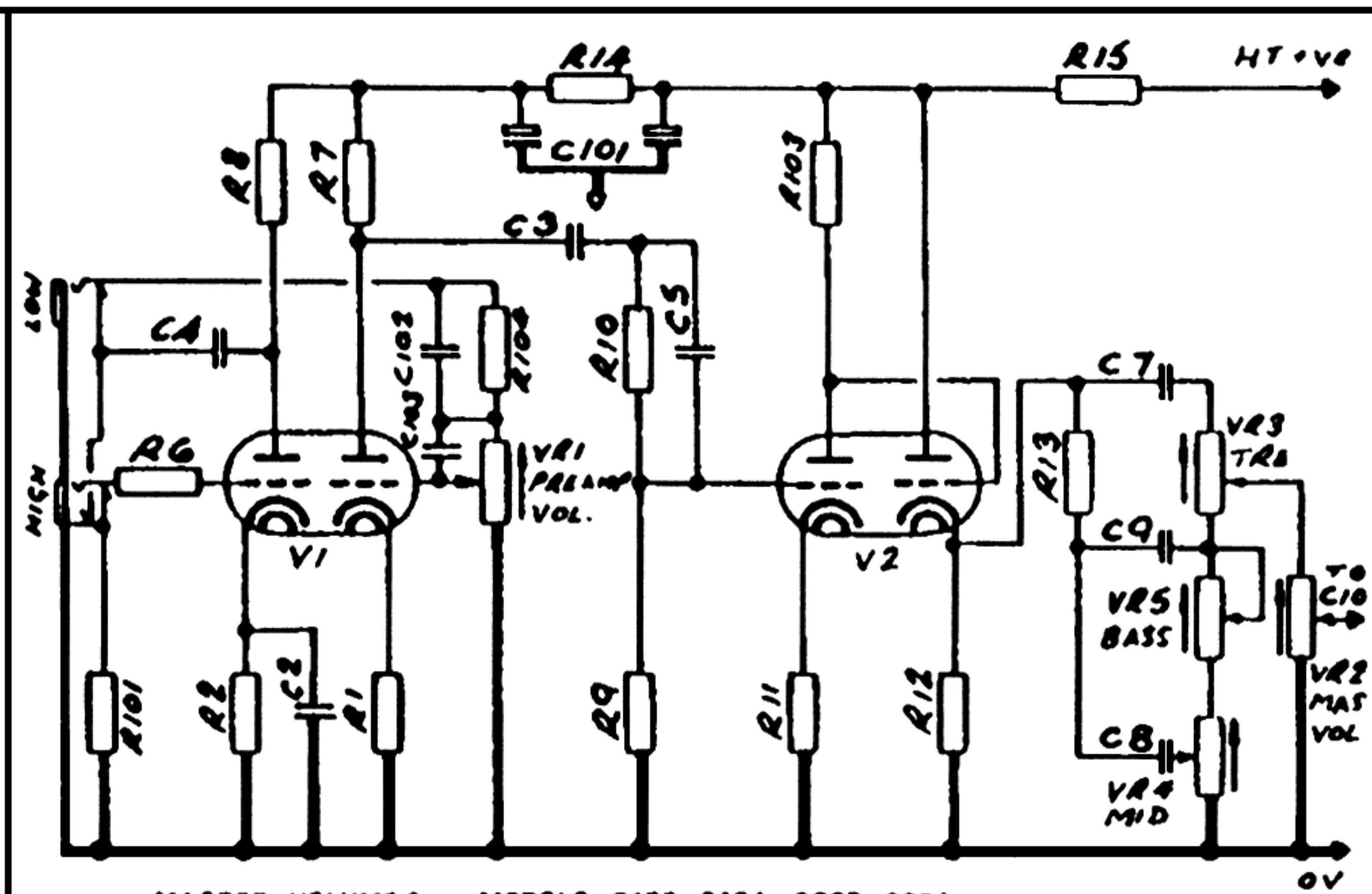
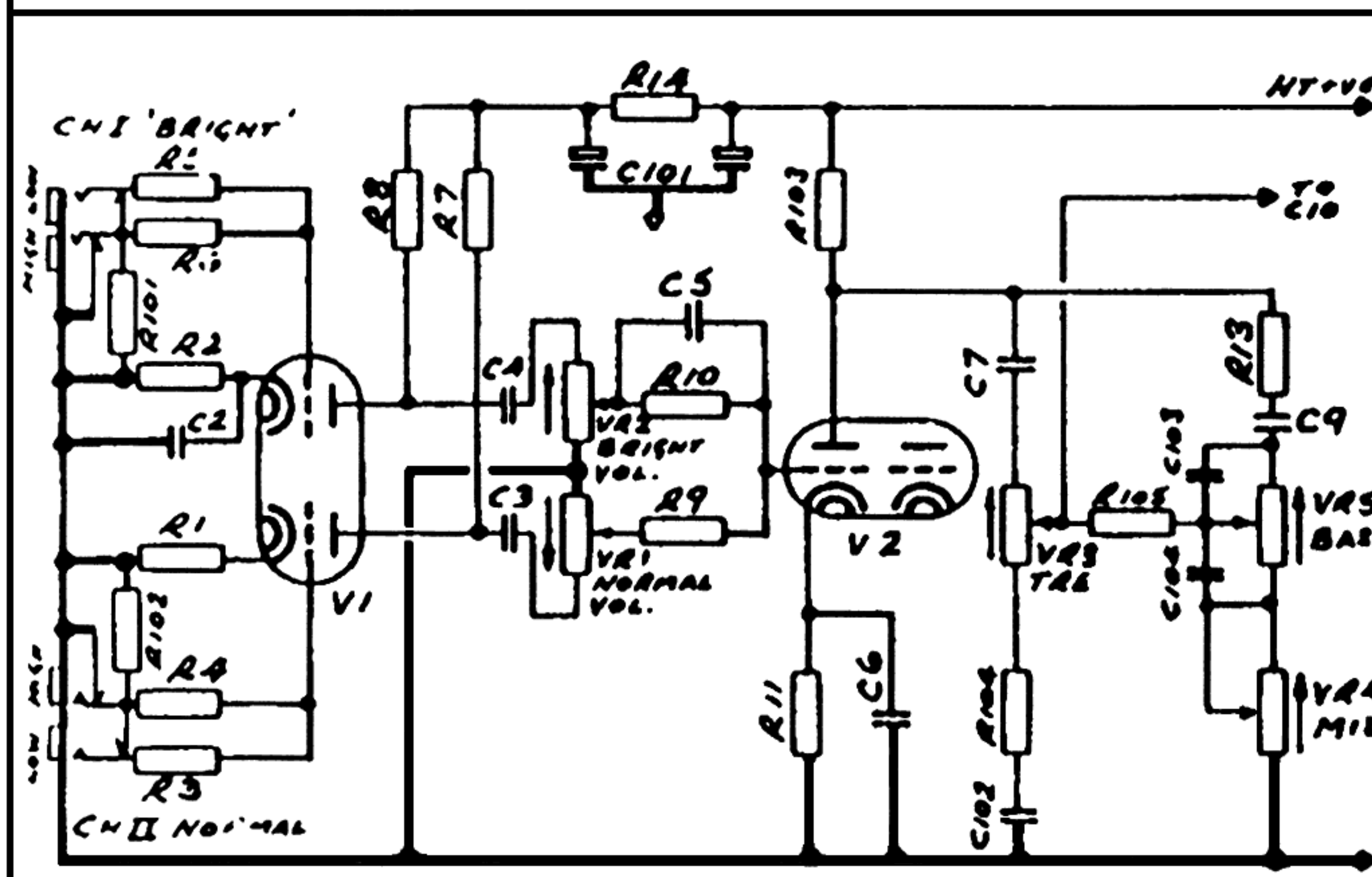


LEAD PREAMP Cct MODELS 1987-1992N



MASTER VOLUME Cct MODELS 2103-2104-2203-2204



BASS PREAMP Cct MODELS 1986N-1992N

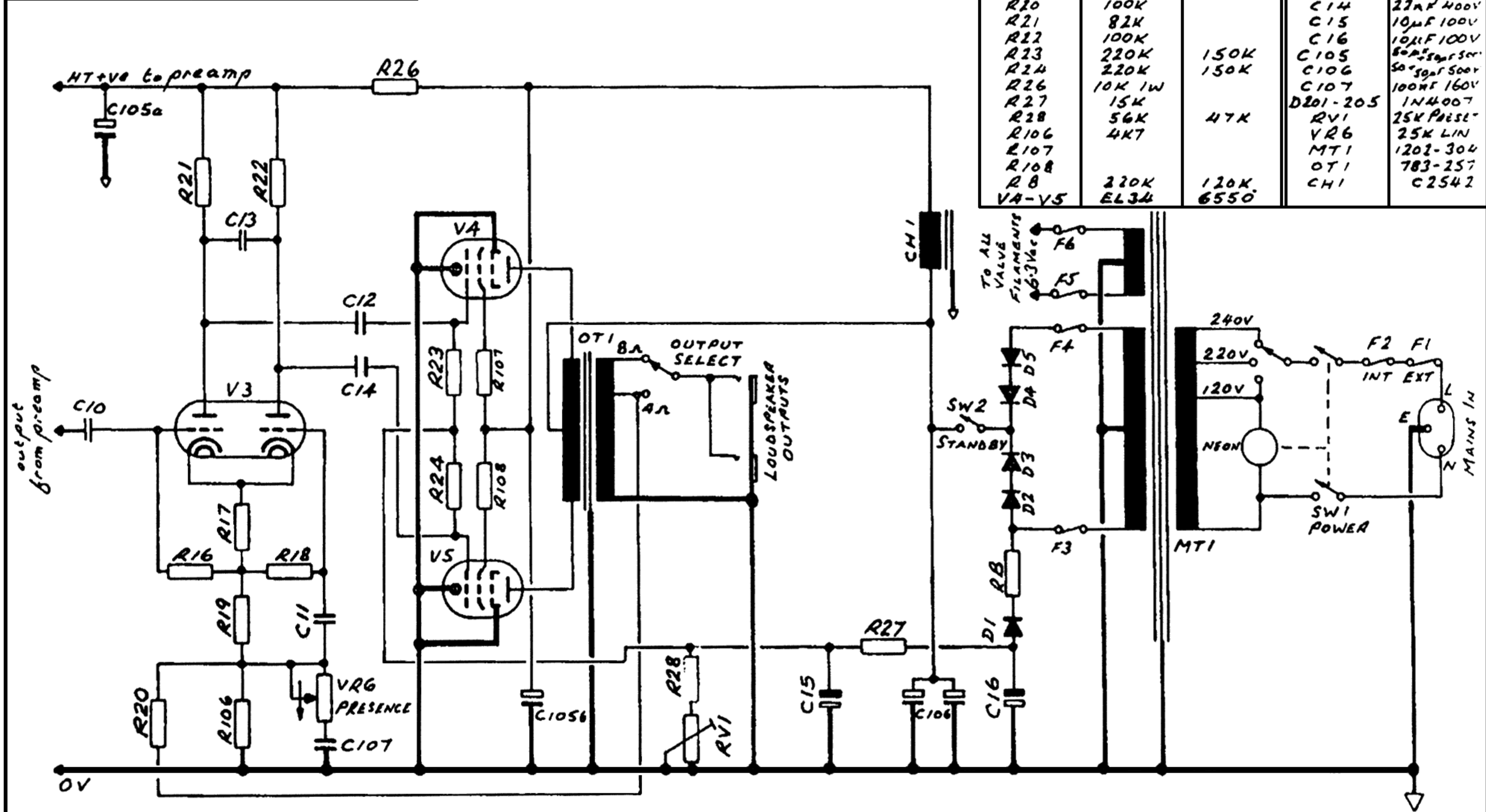
component no.	LEAD	MASTER VOL	BASS	component no.	LEAD	MASTER VOL	BASS
R1	820	10K	820	C1	330nF 10V	—	—
R2	2K7	2K7	4K7	C2	50nF 160V	68nF 160V	47nF 500V
R3	68K	—	68K	C3	22nF 500V	22nF 500V	22nF 500V
R4	68K	—	68K	C4	22nF 500V	22nF 500V	22nF 500V
R5	68K	—	68K	C5	470pF	470pF	1nF
R6	68K	68K	68K	C6	—	—	47nF 500V
R7	100K	100K	100K	C7	470pF	470pF	1nF
R8	100K	100K	100K	C8	22nF 500V	22nF 500V	—
R9	470K	470K	470K	C9	22nF 500V	22nF 500V	47nF 500V
R10	470K	470K	470K	C101	50nF 500V	50nF 500V	50nF 500V
R11	1K	820	1K5	C102	5nF	470pF	5nF
R12	100K	100K	—	C103	—	1nF	1nF
R13	33K	33K	220K	C104	—	—	10nF
R14	10K 1W	10K 1W	10K 1W	VR1.2.5	1M LOG	1M LOG	1M LOG
R15	10K 1W	10K 1W	—	VR3	250K LIN	250K LIN	1M LOG
R101	1M	1M	1M	VR4	25K LIN	25K LIN	250K LIN
R102	1M	—	1M				
R103	100K	100K	100K				
R104	—	470K	100K				
R105	—	—	220K				

Resistors 0.5W unless stated. PCB ST1-202A. Components 101 & above & all controls are external to printed circuit board. V1 & V2 are ECC83 or 12AX7 heater connections not shown. See drawing 78331-2 for 50W Power Stage & 78331-3 for 100W Power Stage.

FUSE No.	VALUE	FUSE No.	VALUE
F1	120V 2Ac	F3	500mAc
	220V 1Ac	F4	500mAc
	240V 1Ac	F5	5Ac
F2	3Ac	F6	5Ac

NOTE! 't' denotes slow blow

Component no.	Type nr value	USA variant	Component no.	Type nr value
R16	1M		C10	22nF 400V
R17	470		C11	100nF 160V
R18	1M		C12	22nF 400V
R19	10K		C13	47pF
R20	100K		C14	22nF 400V
R21	82K		C15	10µF 100V
R22	100K		C16	10µF 100V
R23	220K	150K	C105	50µF 50V 50V
R24	220K	150K	C106	50µF 50V 50V
R26	10K 1W		C107	100nF 160V
R27	15K		D201-205	1N4007
R28	56K	47K	RV1	25K PRESEL
R106	4K7		VR6	25K LIN
R107			MT1	1202-304
R108			OT1	783-257
R8	220K	120K	CH1	C2542
VA-V5	EL34	6550		



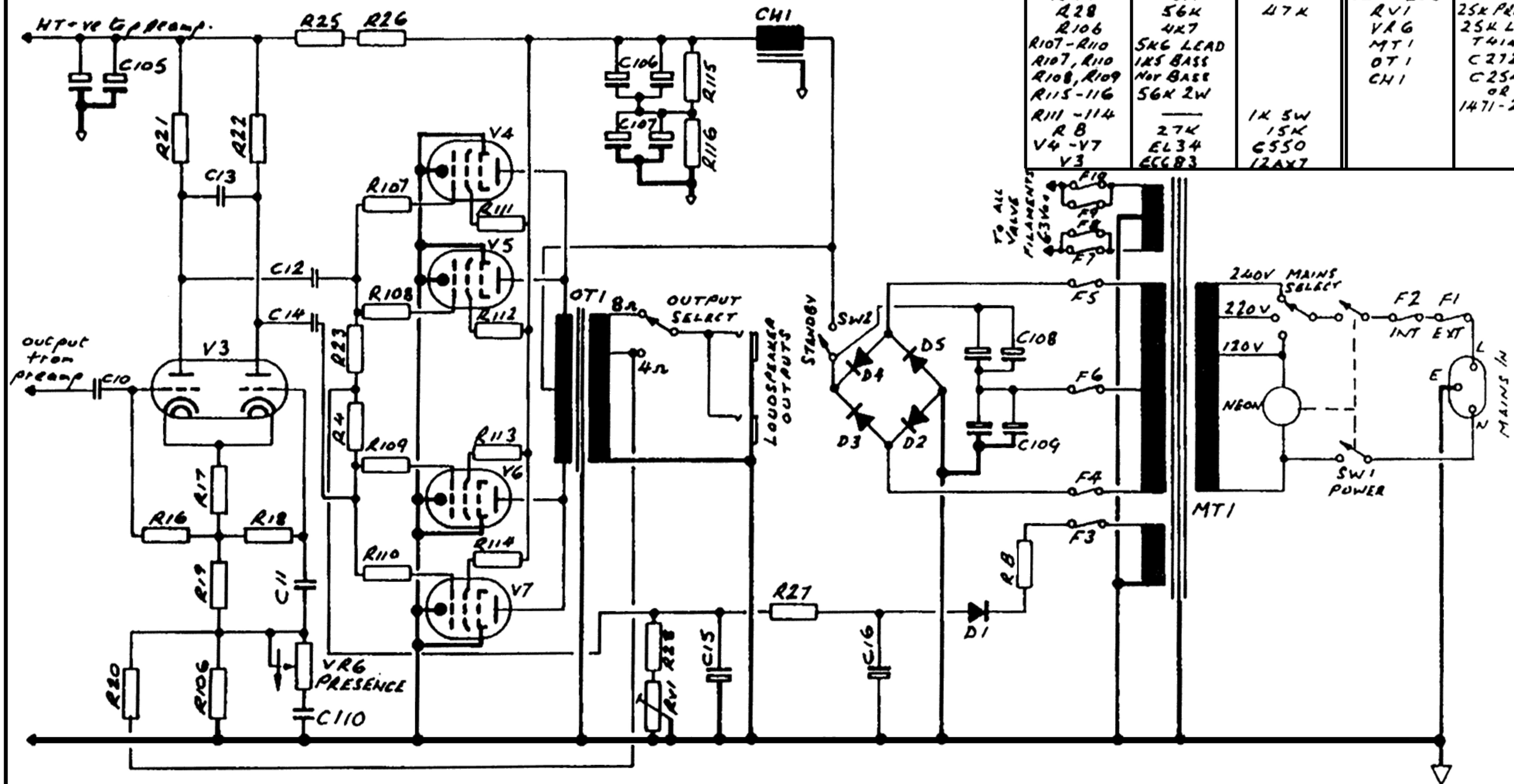
R20, D201-5 & F 2-6 mounted on power supply p.c.b. JM41-1. Main p.c.b. ST1-202A. Components 100 & above not on p.c.b.



FUSE No.	VALUE	FUSE No.	VALUE
F1	120V 4A	F5	1A
F2	220V 2A	F6	500mA
F3	240V 2A	F7	5A
F4	4A	F8	5A
F5	100mA	F9	5A
F6	1A	F10	5A

NOTE: 1 denotes slow blow

component no.	type or value	USA variant	component no.	type or value
R16	1M		C10	22nF 400V
R17	470		C11	100nF 160V
R18	1M		C12	22nF 400V
R19	10K		C13	0.7pF
R20	100K		C14	22nF 400V
R21	82K		C15	10nF 100V
R22	100K		C16	10nF 100V
R23-24	220K	150K	C105-C109	50nF-50pF
R25	100nW LINK LEAD		C110	100nF 160V
R26	100nW LEAD		D201-205	1N4007
R27	15K		RV1	25K PRESET
R28	56K	47K	VR6	25K LIN
R106	4x7		MT1	T4145
R107-R110	56K LEAD		OT1	C2723
R107, R110	1K5 BASE		CH1	C25A2
R108, R109	10K BASE			OR
R115-116	56K 2W			1471-263
R111-114	—	1K 5W		
R8	27K	15K		
V4-V7	EL34	6550		
V3	6CG83	12AX7		



R201, D201-5 & F2-10 mounted on power supply p.c.b. JM 38-2 Main p.c.b. ST1-202A. Components 100 & above not on p.c.b.