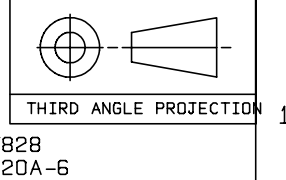
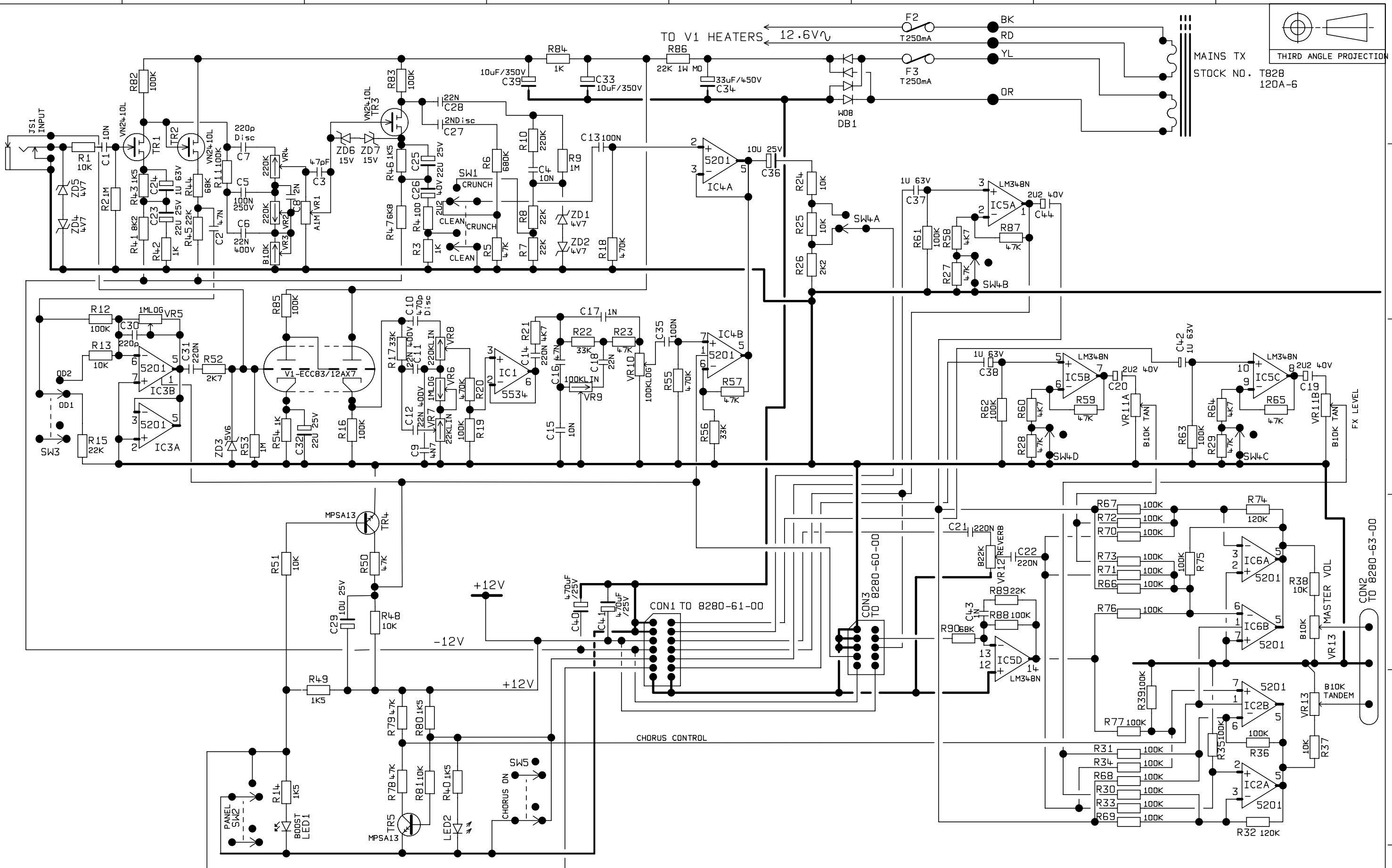


DWG.No .8280-62-02



MAINS TX
STOCK NO. T828
120A-6

8	1128	2/4/96	
7	0597	17-3-94	A
6	0509	7/1/94	B
5	0429,0482	10/12/93	C
4	0373	21/06/93	D
3	0365	01/06/93	E
2	0347	11/5/93	F
ISS	ECO NUMBER	DATE	G

UNSPECIFIED HOLE DATA	
	H
	J
	K
	L
	M
	N
	P

MATERIAL	
MATERIAL THICKNESS	
INTERNAL BEND RADII	
EXTERNAL B/A	
BEND DIE	
DRAWN SG	DATE 19/02/93
CHECKED	DATE
APPROVED	DATE

DIMENSIONS IN	
TOLERANCE (UNLESS OTHERWISE STATED)	
DIMENSIONAL	
CENTRES	
ANGULAR	
MODEL	8280

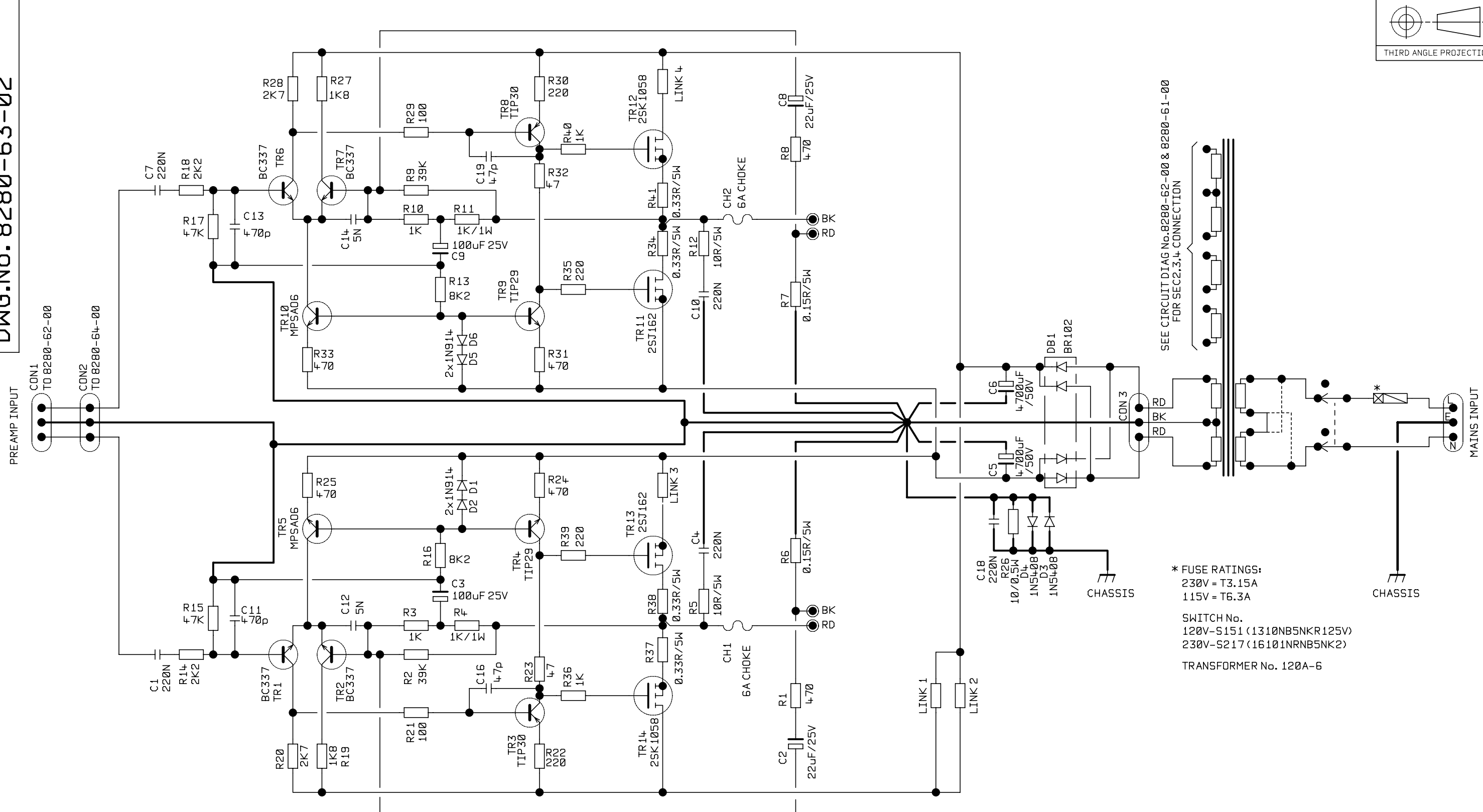
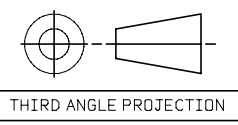
Marshall

COPYRIGHT EXISTS ON THIS DOCUMENT. IT MUST NOT BE USED FOR ANY PURPOSE THAN THAT FOR WHICH IT IS SUPPLIED AND MUST NOT BE COPIED (IN WHOLE OR IN PART) WITHOUT WRITTEN PERMISSION FROM

© MARSHALL AMPLIFICATION PLC.
DENBIGH ROAD, BLETCHLEY, MILTON KEYNES, MK1 1DG.
TEL (0908)375411 FAX (0908)376118

TITLE	
PRE-AMP CCT	
DWG.No	ISSUE
8280-62-02	8

DWG.No. 8280-63-02



SEE CIRCUIT DIAG No. 8280-62-00 & 8280-61-00 FOR SEC2,3,4 CONNECTION

* FUSE RATINGS:
 230V = T3.15A
 115V = T6.3A

SWITCH No.
 120V-S151 (1310NB5NKR125V)
 230V-S217 (16101NRRNB5NK2)

TRANSFORMER No. 120A-6

4	0651	23/08/94	A
3	0457	4/1/94	B
2	0347	12/5/93	C
1	PRODUCTION RELEASE	7-4-93	D
ISS	ECO NUMBER	DATE	E

UNSPECIFIED HOLE DATA	
A	H
B	J
C	K
D	L
E	M
F	N
G	P

MATERIAL	
MATERIAL THICKNESS	
INTERNAL BEND RADIUS	
EXTERNAL B/A	
BEND DIE	
DRAWN	SG
DATE	16-9-92
CHECKED	DATE
APPROVED	DATE

DIMENSIONS IN	
TOLERANCE (UNLESS OTHERWISE STATED)	
DIMENSIONAL	
CENTRES	
ANGULAR	
MODEL	8280

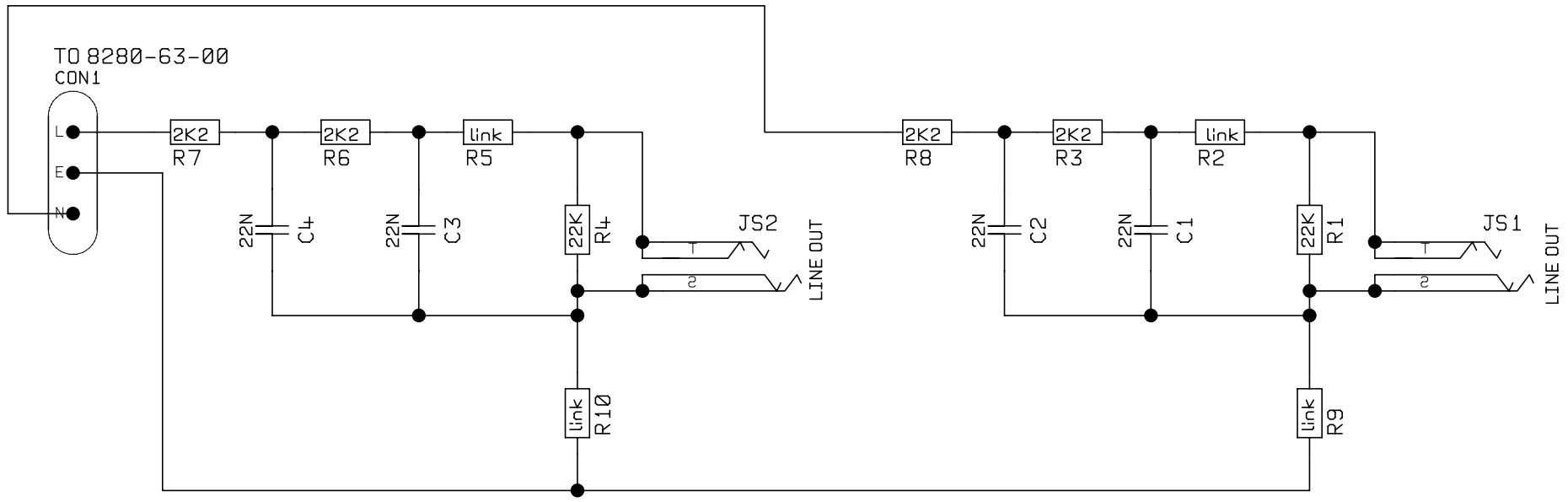
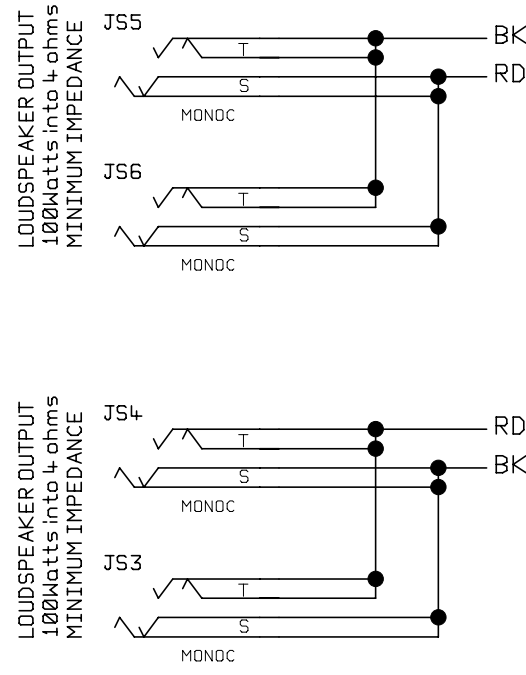
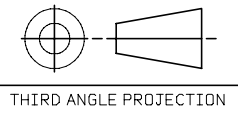
Marshall

COPYRIGHT EXISTS ON THIS DOCUMENT. IT MUST NOT BE USED FOR ANY PURPOSE THAN THAT FOR WHICH IT IS SUPPLIED AND MUST NOT BE COPIED (IN WHOLE OR IN PART) WITHOUT WRITTEN PERMISSION FROM

© MARSHALL AMPLIFICATION PLC.
 DENBIGH ROAD, BLETCHLEY, MILTON KEYNES, MK1 1DQ.
 TEL. (0908)375411 FAX (0908)376118

TITLE	
POWER CCT	
DWG.No	ISSUE
8280-63-02	4

DWG.No. 8280-64-02



UNSPECIFIED HOLE DATA

			A	H
			B	J
			C	K
			D	L
3	04.17	14/10/93	E	M
2	03.7	11/5/93	F	N
ISS	ECD NUMBER	DATE	G	P

MATERIAL	
MATERIAL THICKNESS	
INTERNAL BEND RADII	
EXTERNAL B/A	
BEND DIE	
DRAWN SG	DATE 16-9-92
CHECKED	DATE
APPROVED	DATE

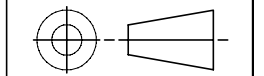
DIMENSIONS IN	
TOLERANCE (UNLESS OTHERWISE STATED)	
DIMENSIONAL	
CENTRES	
ANGULAR	
MODEL	8280

Marshall

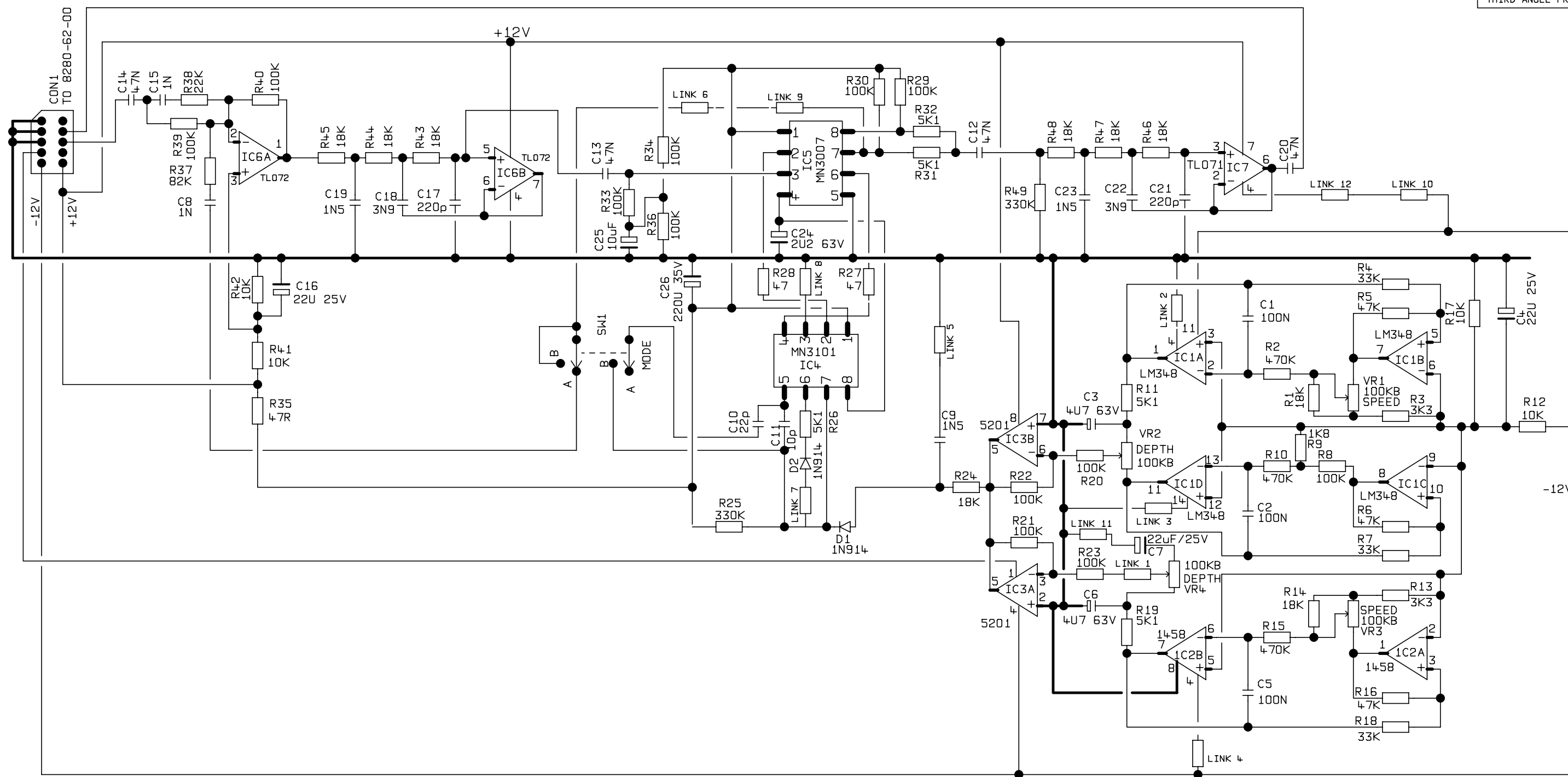
COPYRIGHT EXISTS ON THIS DOCUMENT. IT MUST NOT BE USED FOR ANY PURPOSE THAN THAT FOR WHICH IT IS SUPPLIED AND MUST NOT BE COPIED (IN WHOLE OR IN PART) WITHOUT WRITTEN PERMISSION FROM MARSHALL AMPLIFICATION PLC. DENBIGH ROAD, BLETCHLEY, MILTON KEYNES, MK1 1DQ. TEL (0908)375411 FAX (0908)375118

TITLE	
POWER CCT	
DWG.No	ISSUE
8280-64-02	3

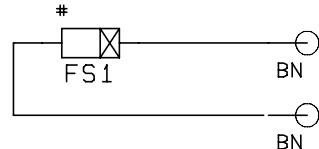
DWG.No. 8280-60-02



THIRD ANGLE PROJECTION



115V = T6.3A
230V = T3.15A



UNSPECIFIED HOLE DATA

			A	H
			B	J
4	0367	02/06/93	C	K
3	0365	01/06/93	D	L
2	0347	10/5/93	E	M
1	PRODUCTION RELEASE	6-4-93	F	N
ISS	ECO NUMBER	DATE	G	P

MATERIAL

MATERIAL THICKNESS	
INTERNAL BEND RADII	
EXTERNAL B/A	
BEND DIE	
DRAWN SG	DATE 2/11/92
CHECKED	DATE
APPROVED	DATE

DIMENSIONS IN

TOLERANCE (UNLESS OTHERWISE STATED)	
DIMENSIONAL	
CENTRES	
ANGULAR	
MODEL	8280

Marshall

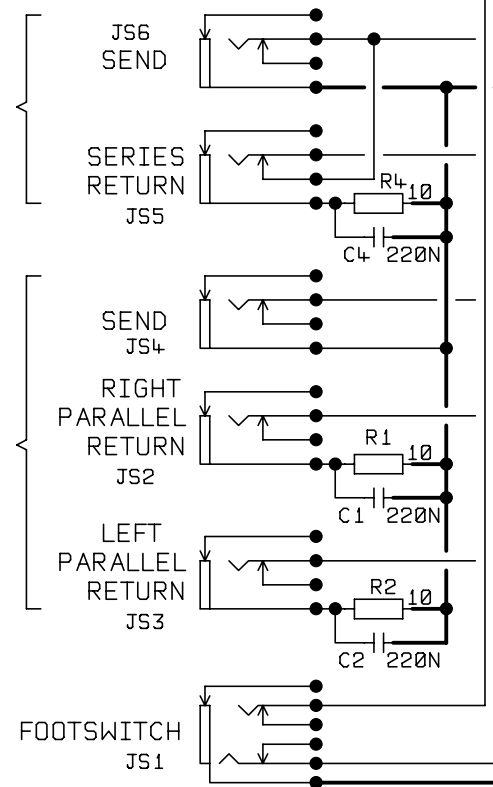
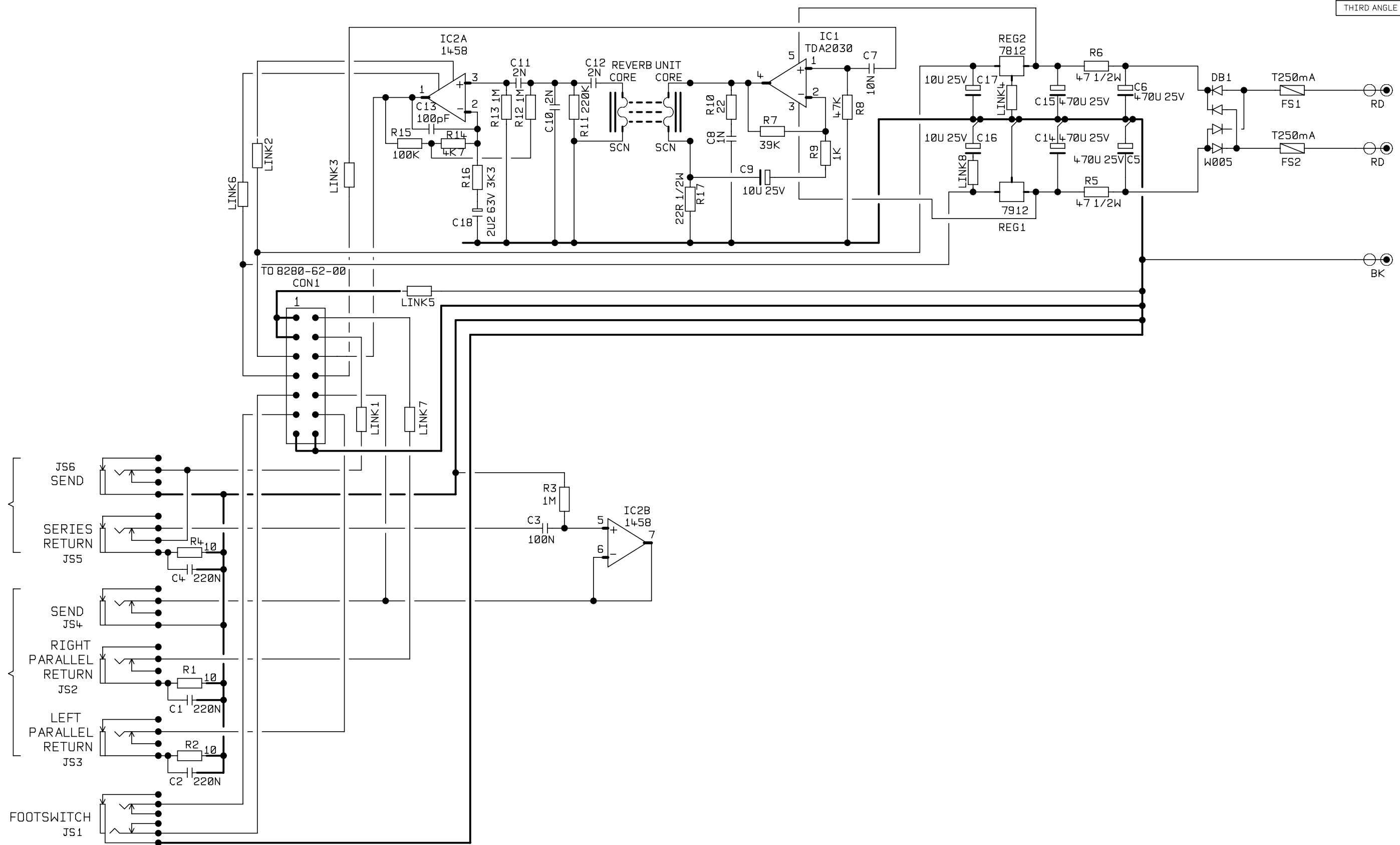
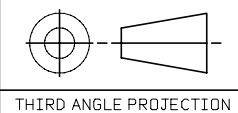
COPYRIGHT EXISTS ON THIS DOCUMENT. IT MUST NOT BE USED FOR ANY PURPOSE THAN THAT FOR WHICH IT IS SUPPLIED AND MUST NOT BE COPIED (IN WHOLE OR IN PART) WITHOUT WRITTEN PERMISSION FROM
© MARSHALL AMPLIFICATION PLC.
DENBIGH ROAD, BLETCHLEY, MILTON KEYNES, MK1 1DQ.
TEL (0908)375411 FAX (0908)376118

TITLE

CHORUS CCT

DWG.No	8280-60-02	ISSUE	4
--------	------------	-------	---

DWG.No. 8280-61-02



UNSPECIFIED HOLE DATA

A	H
B	J
C	K
D	L
E	M
F	N
G	P

MATERIAL	
MATERIAL THICKNESS	
INTERNAL BEND RADIUS	
EXTERNAL B/A	
BEND DIE	
DRAWN	S.G
DATE	23/01/93
CHECKED	DATE
APPROVED	DATE

DIMENSIONS IN	
TOLERANCE (UNLESS OTHERWISE STATED)	
DIMENSIONAL	
CENTRES	
ANGULAR	
MODEL	
8280	



COPYRIGHT EXISTS ON THIS DOCUMENT. IT MUST NOT BE USED FOR ANY PURPOSE THAN THAT FOR WHICH IT IS SUPPLIED AND MUST NOT BE COPIED (IN WHOLE OR IN PART) WITHOUT WRITTEN PERMISSION FROM
 © MARSHALL AMPLIFICATION PLC.
 DENBIGH ROAD, BLETCHLEY, MILTON KEYNES, MK1 1DQ.
 TEL (0900) 375411 FAX (0900) 376118

TITLE	
REVERB/PSU	
DWG.No	ISSUE
8280-61-02	3

3	0493	14/1/94	E
2	0347	11/5/93	F
ISS	ECO NUMBER	DATE	G