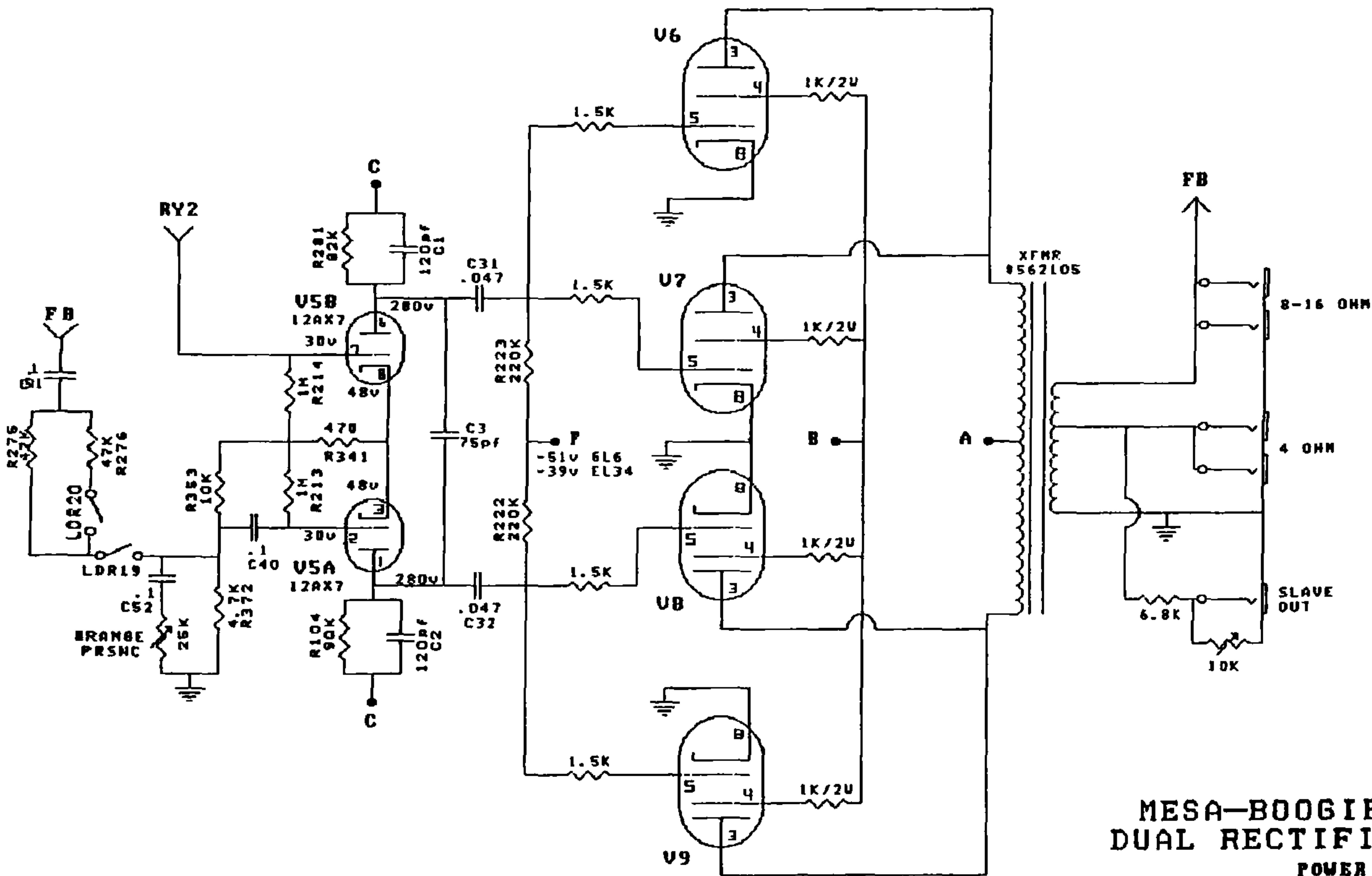
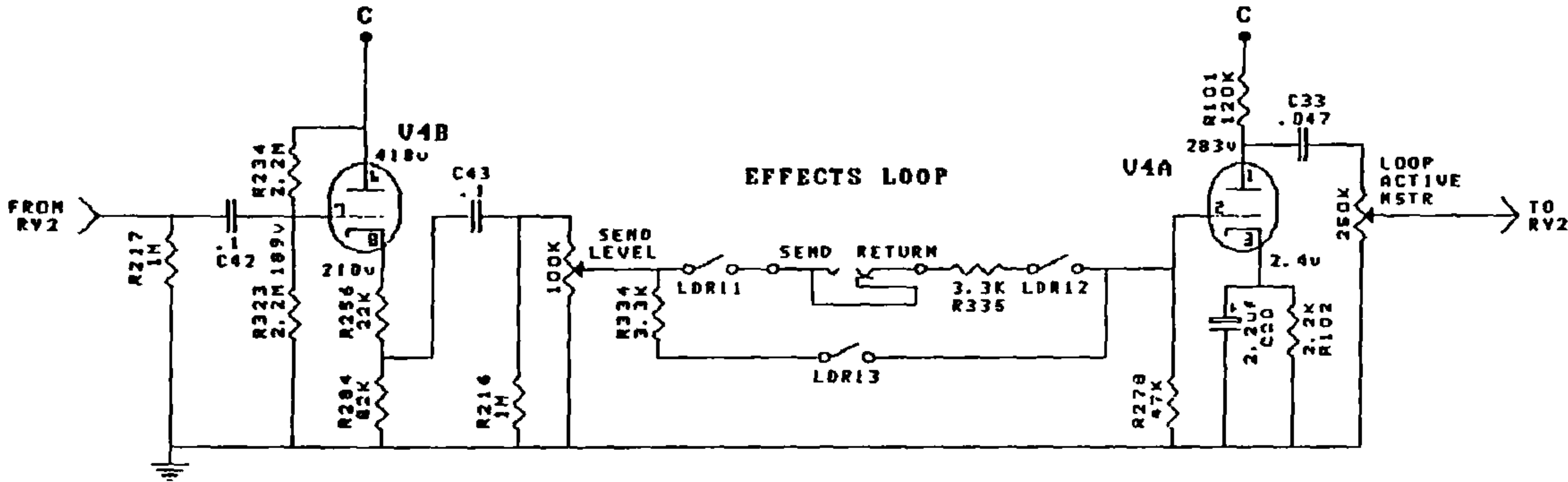


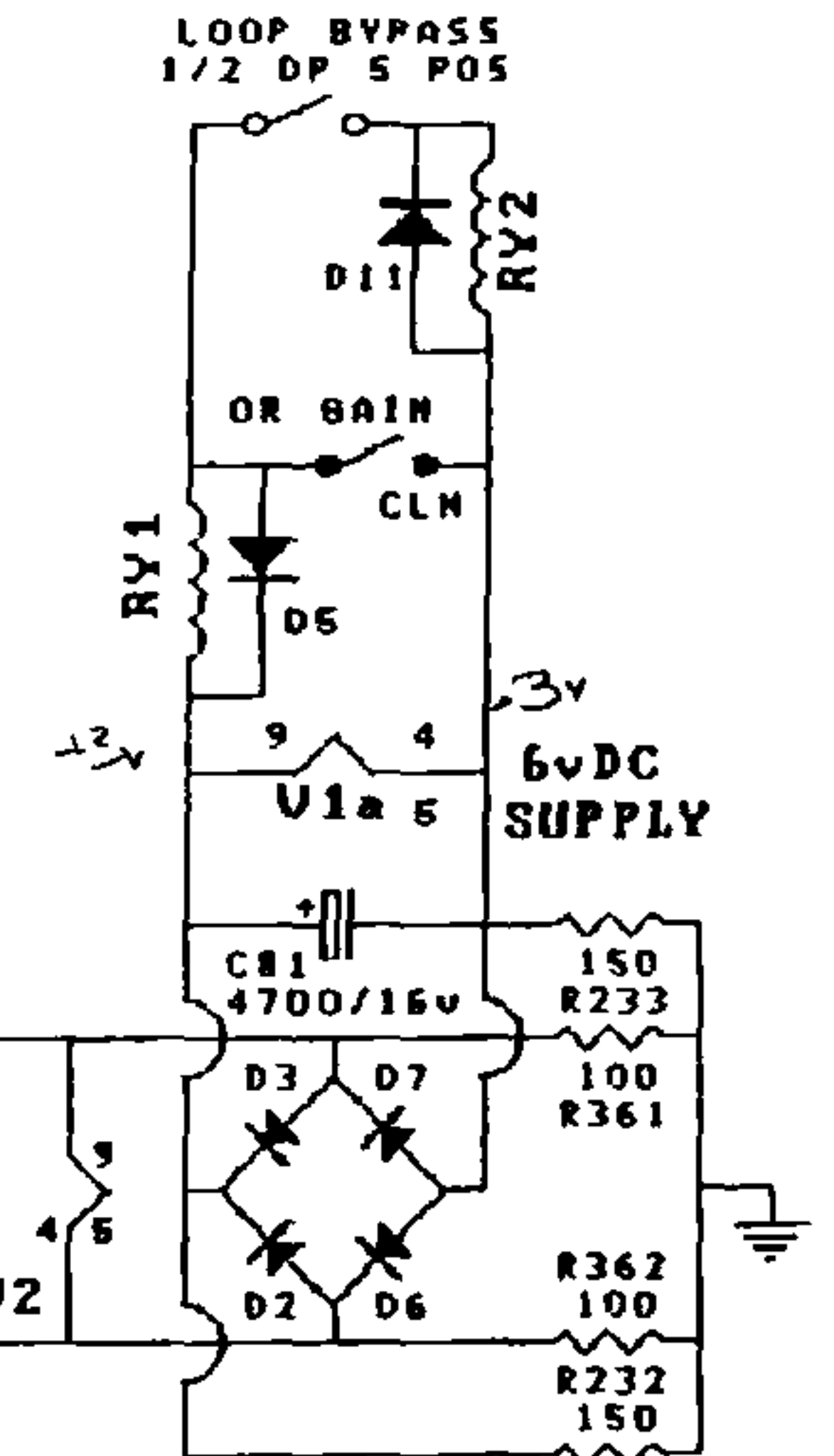
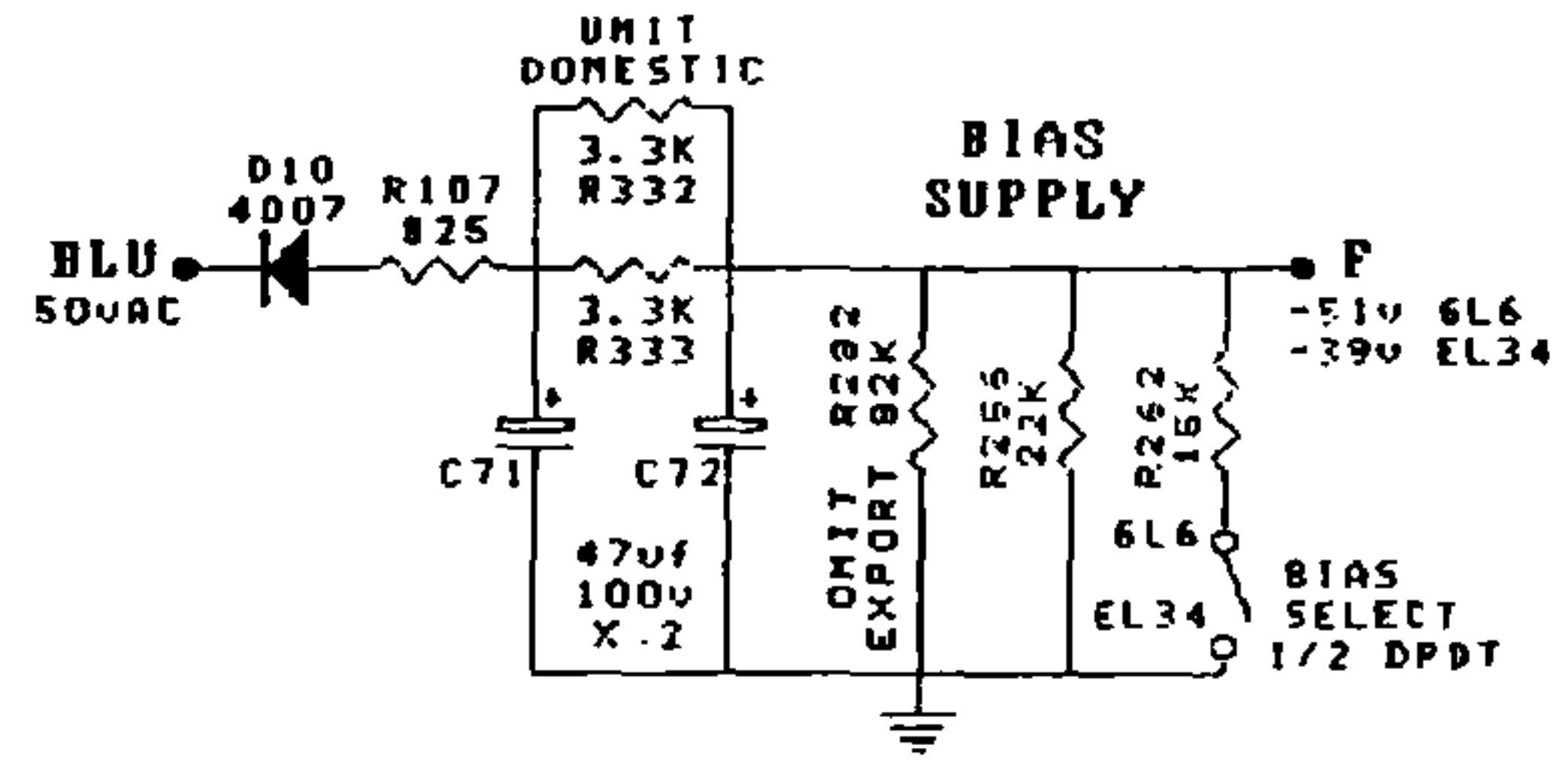
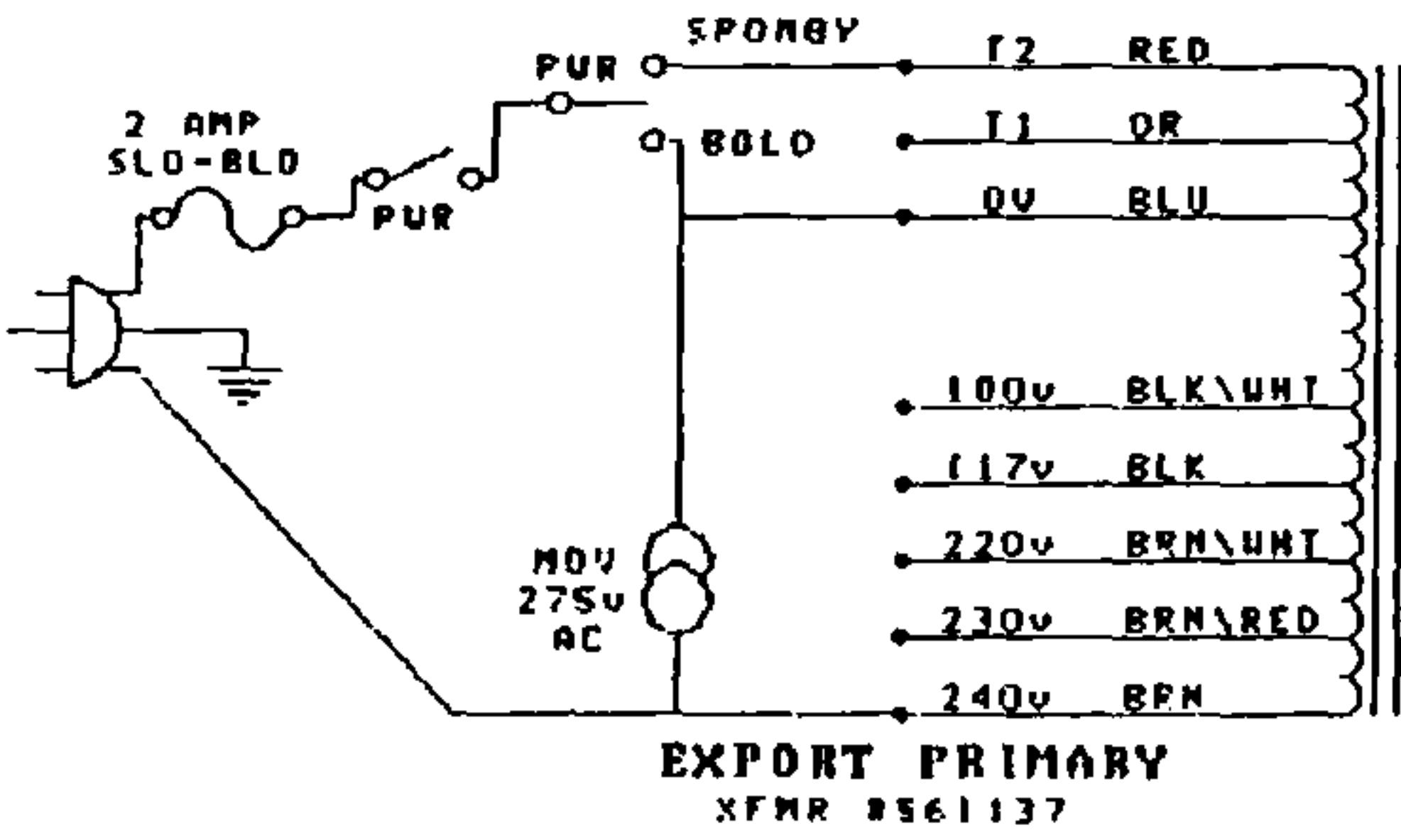
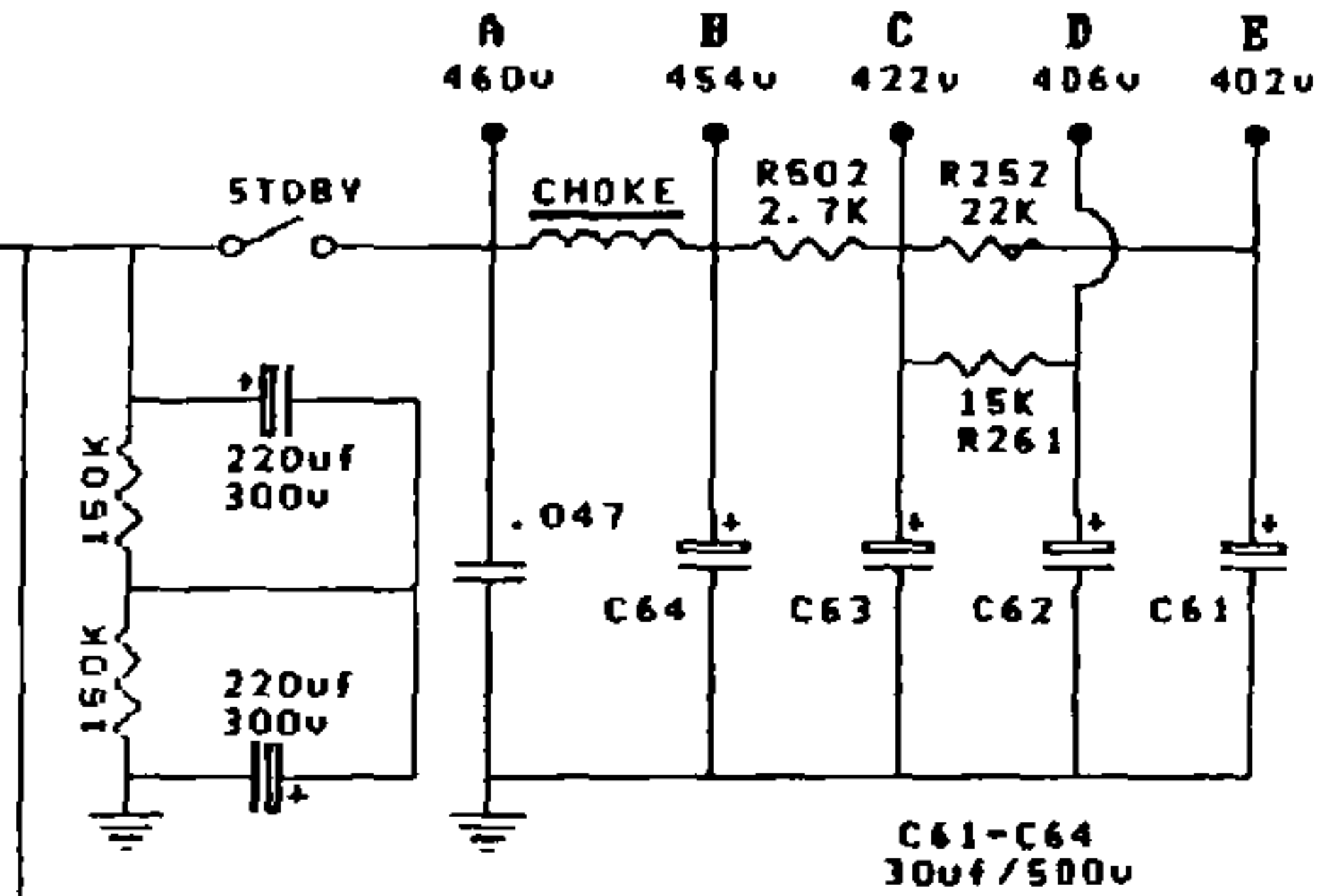
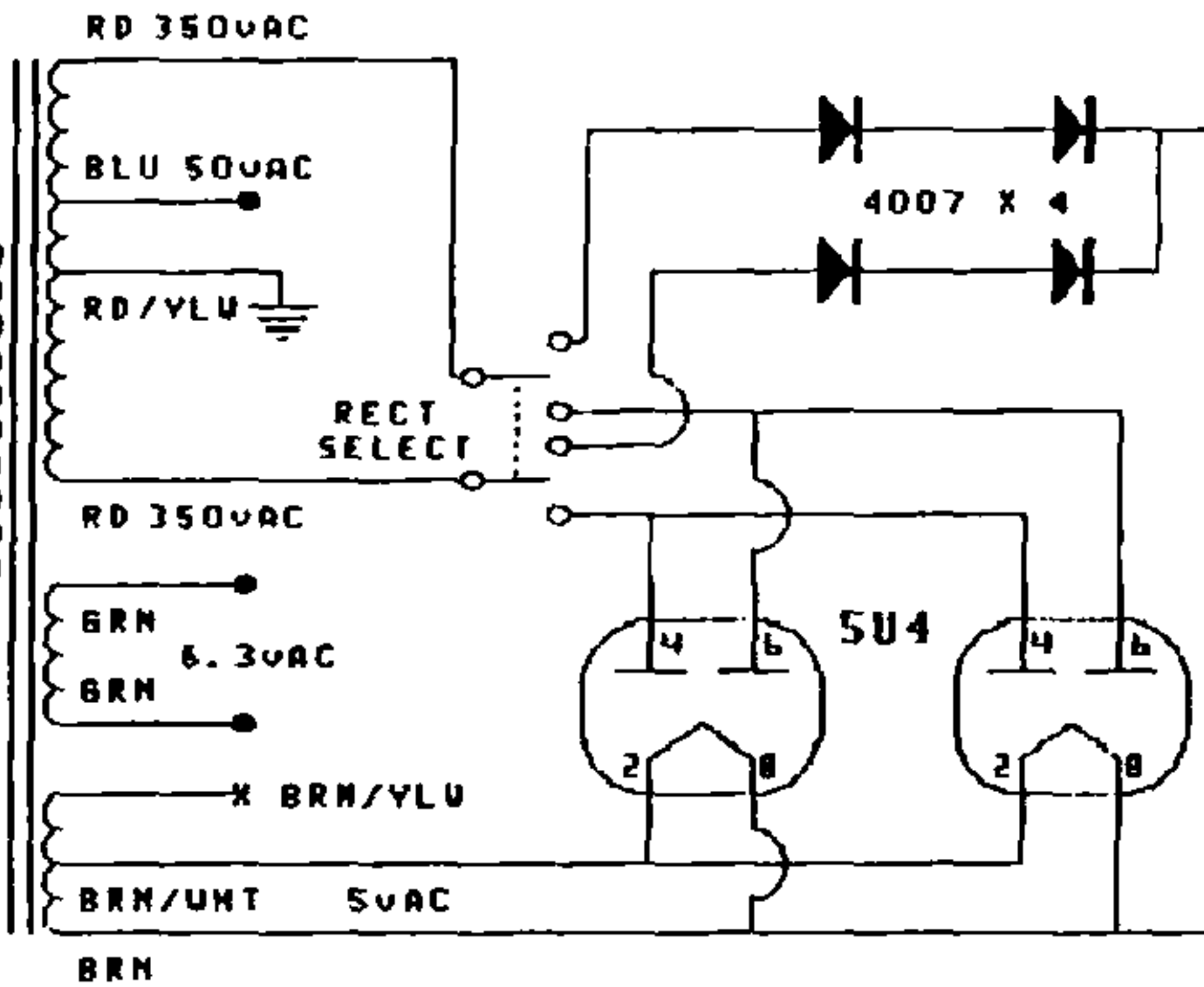
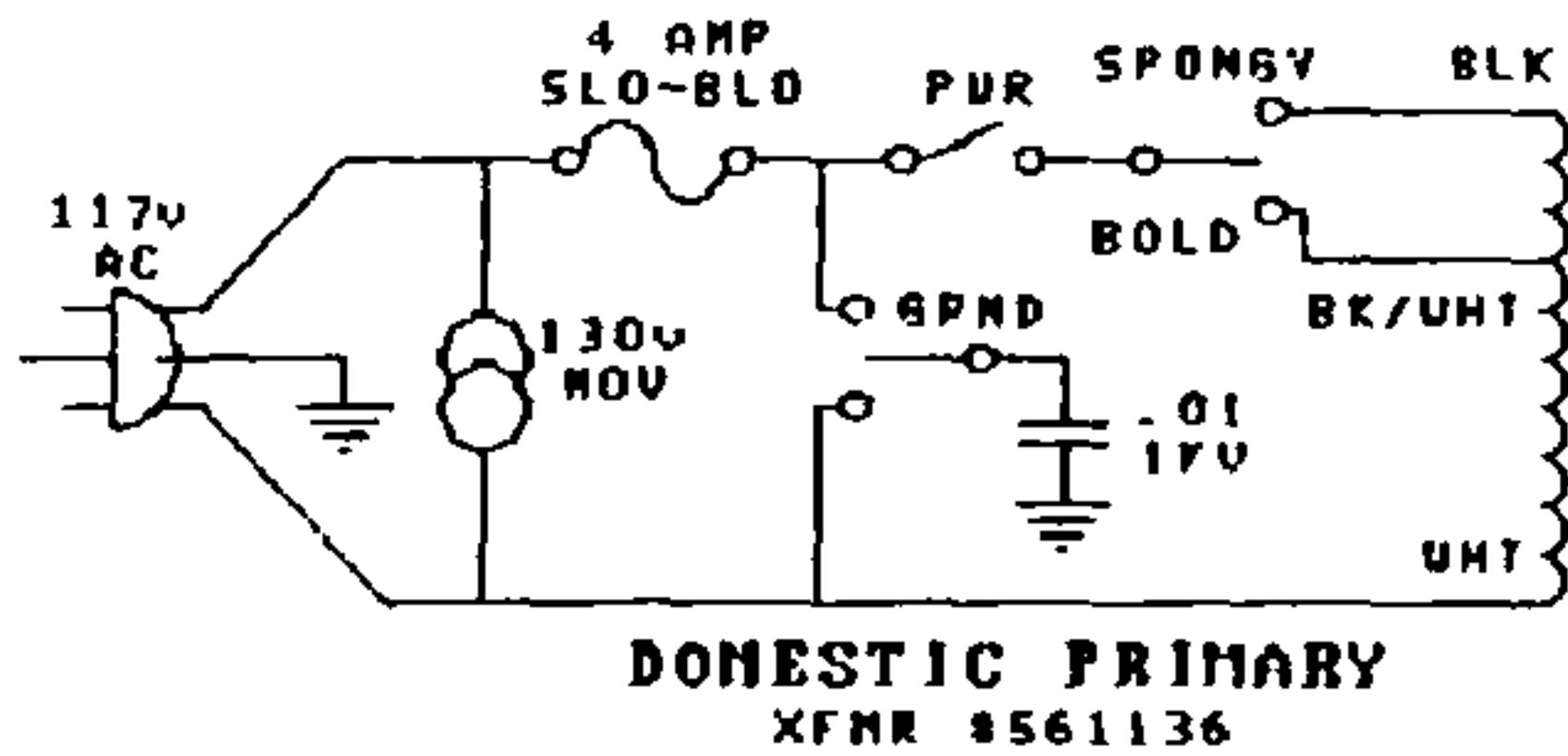
**MESA-BOOGIE
DUAL RECTIFIER
PREAMP RF-1F**



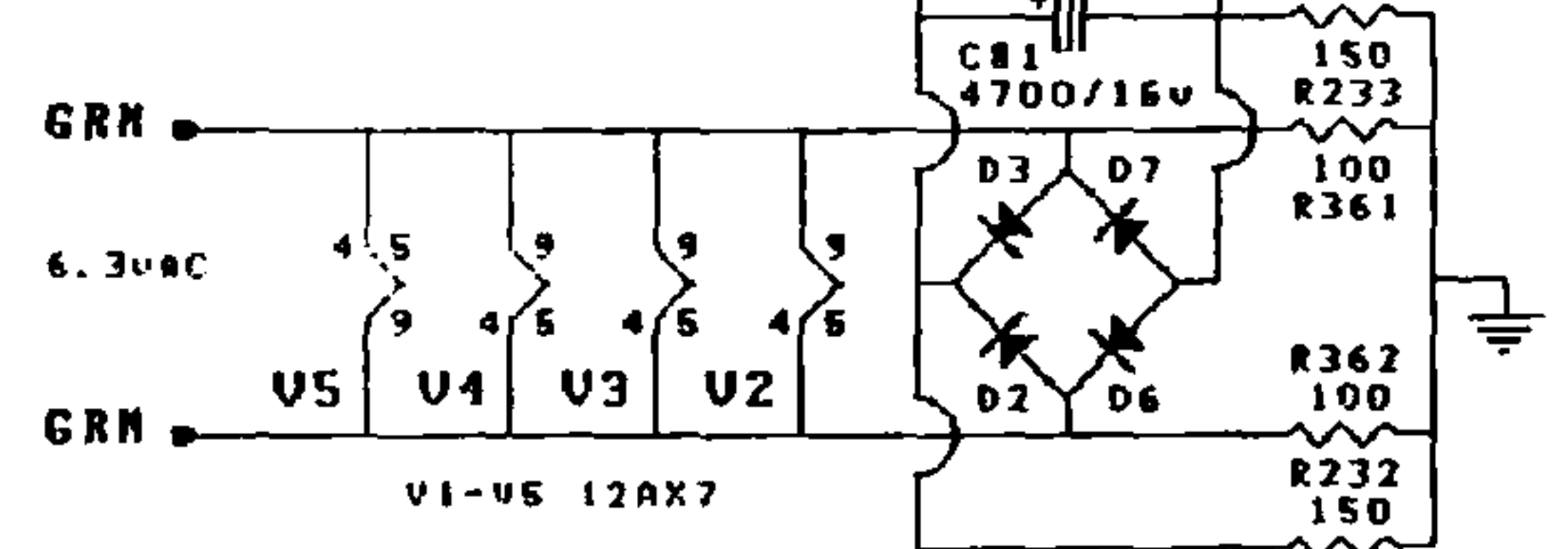
**MESA-BOOGIE
 DUAL RECTIFIER
 POWER AMP**

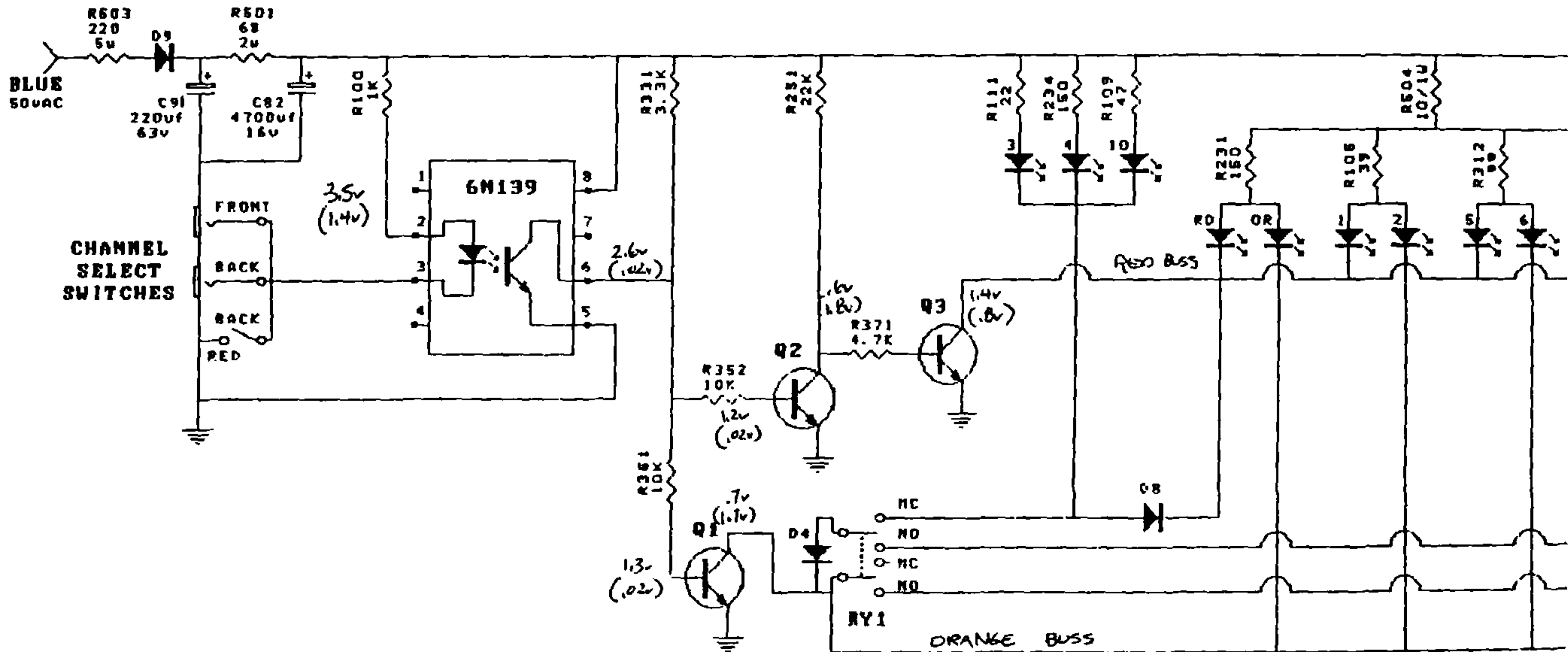
EFFECTS LOOP





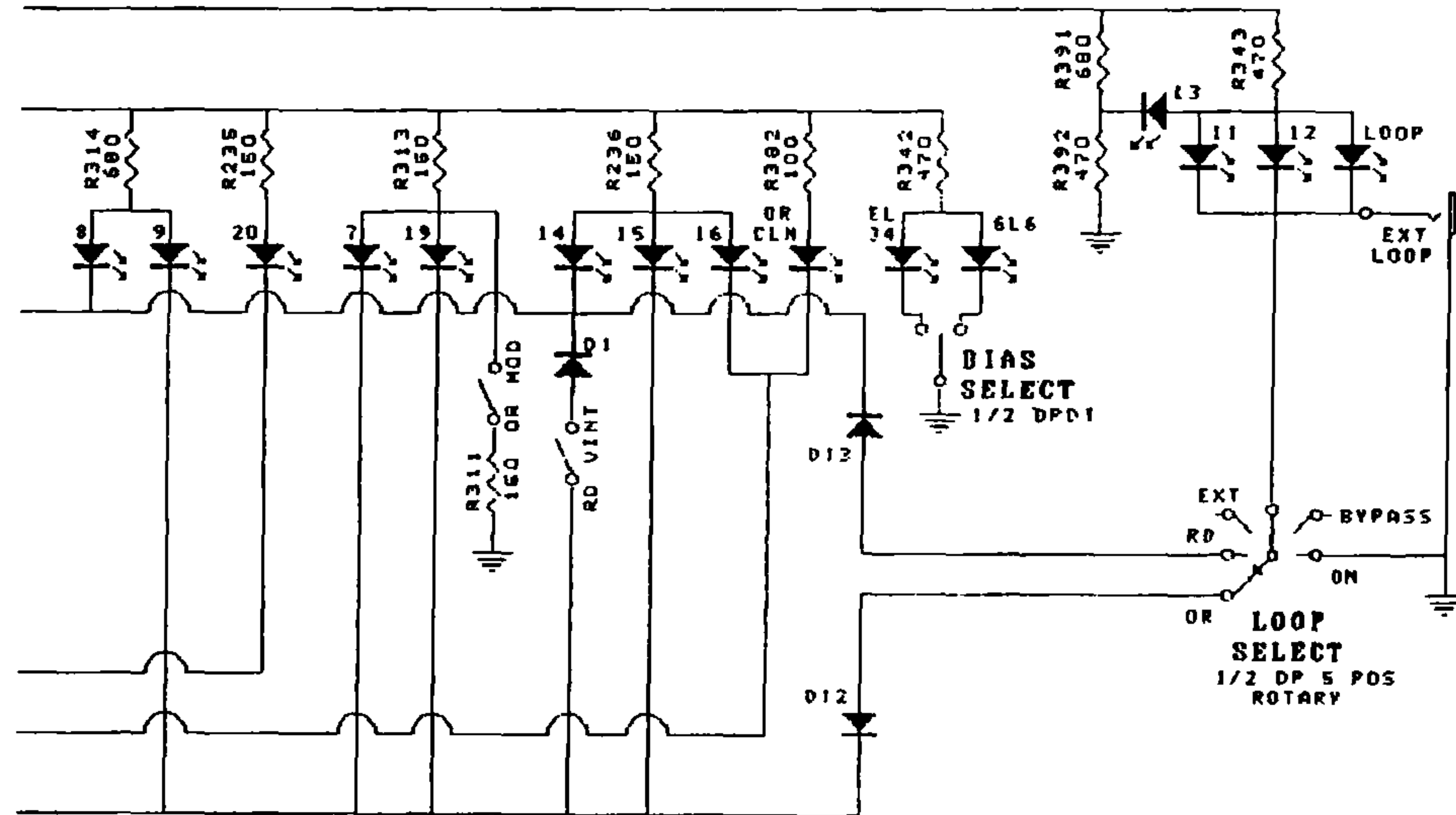
**MESA-BOOGIE
DUAL RECTIFIER
POWER SUPPLIES**





RY 1; on in or cln
 lifts LDR's 3,4,10 from OR BUSS
 adds LDR's 16,20, to OR BUSS

**MESA-BOOGIE
 DUAL-RECTIFIER
 SWITCHING MATRIX PART ONE**



- LDR1 - RD INPUT SELECT
- LDR2 - OR INPUT SELECT
- LDR3a - V2a CATHODE CAP
- LDR3b - V1a CATHODE CAP
- LDR4 - V1a OUTPUT PAD
- LDR5 - RD BAIN POT
- LDR6 - OR BAIN POT
- LDR7 - TREBLE ROLLOFF
- LDR8 - RD TONE CAPS
- LDR9 - OR TONE CAPS
- LDR10 - V3a CATHODE CAP
- LDR11 - FX SEND
- LDR12 - FX RETURN
- LDR13 - FX BYPASS
- LDR14 - RD NSTR POT
- LDR15 - OR NSTR POT
- LDR16 - OR NSTR BYPASS
- LDR19 - FEEDBACK
- LDR20 - MORE FEEDBACK

LDR#	OR	NORM	OR	CLN	OR	MOD	RD	NORM	RD	VINT
1	OFF		OFF		OFF		ON		ON	
2	ON		ON		ON		OFF		OFF	
3	ON		OFF		ON		ON		ON	
4	ON		OFF		ON		ON		ON	
5	OFF		OFF		OFF		ON		ON	
6	ON		ON		ON		OFF		OFF	
7	ON		ON		OFF		OFF		ON	
8	OFF		OFF		OFF		ON		ON	
9	ON		ON		ON		OFF		OFF	
10	ON		OFF		ON		ON		ON	
11	- FX SEND LDR, ON FOR SELECTED MODE-									
12	- FX RETURN LDR, ON FOR SELECTED MODE-									
13	- FX BYPASS LDR, ON FOR NONSELECTED MODE-									
14	OFF		OFF		OFF		ON		ON	
15	ON		ON		ON		OFF		OFF	
16	OFF		ON		OFF		OFF		OFF	
19	ON		ON		OFF		OFF		ON	
20	OFF		ON		OFF		OFF		OFF	