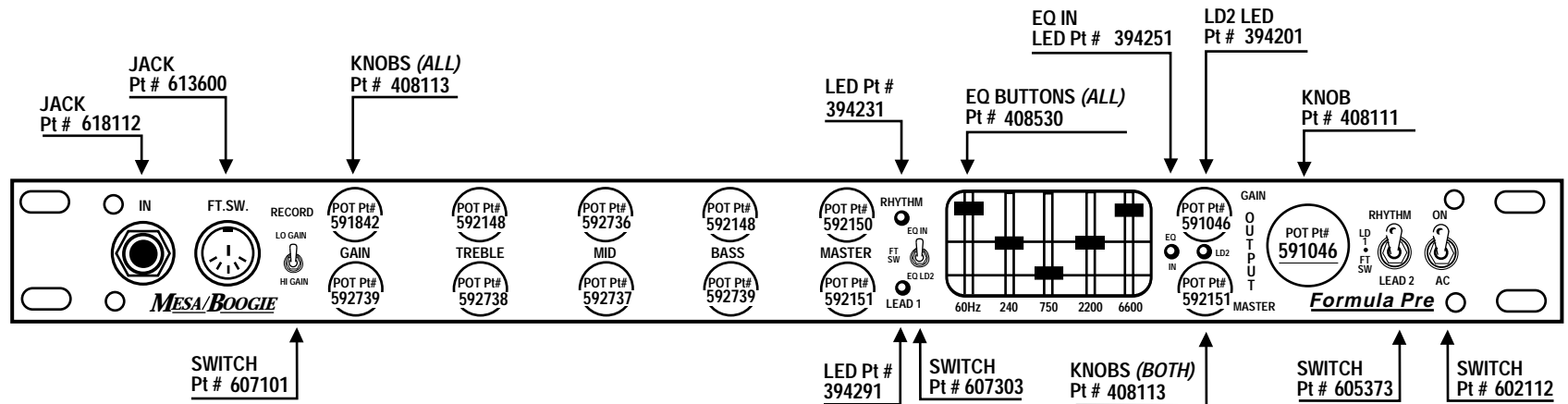
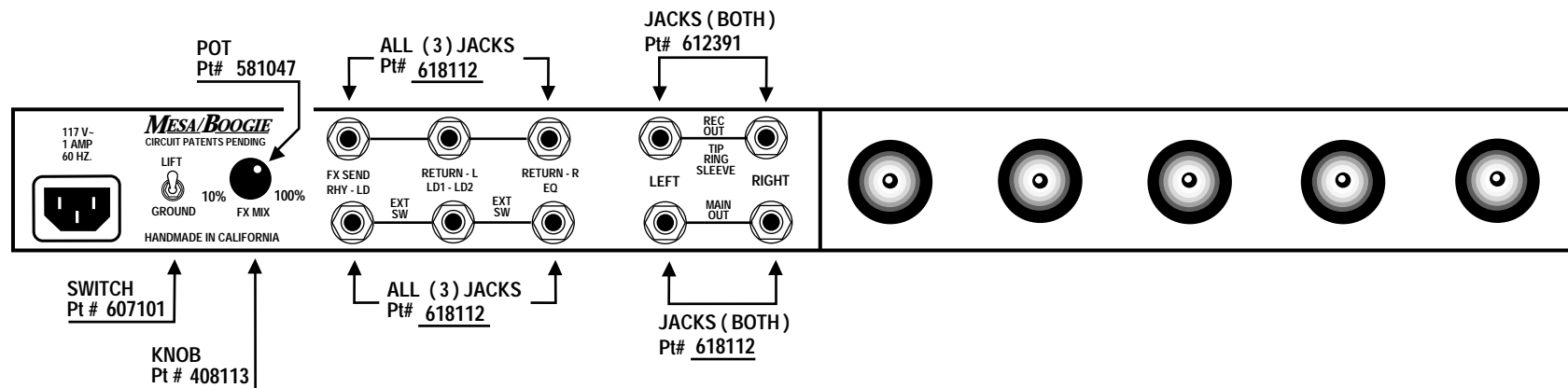


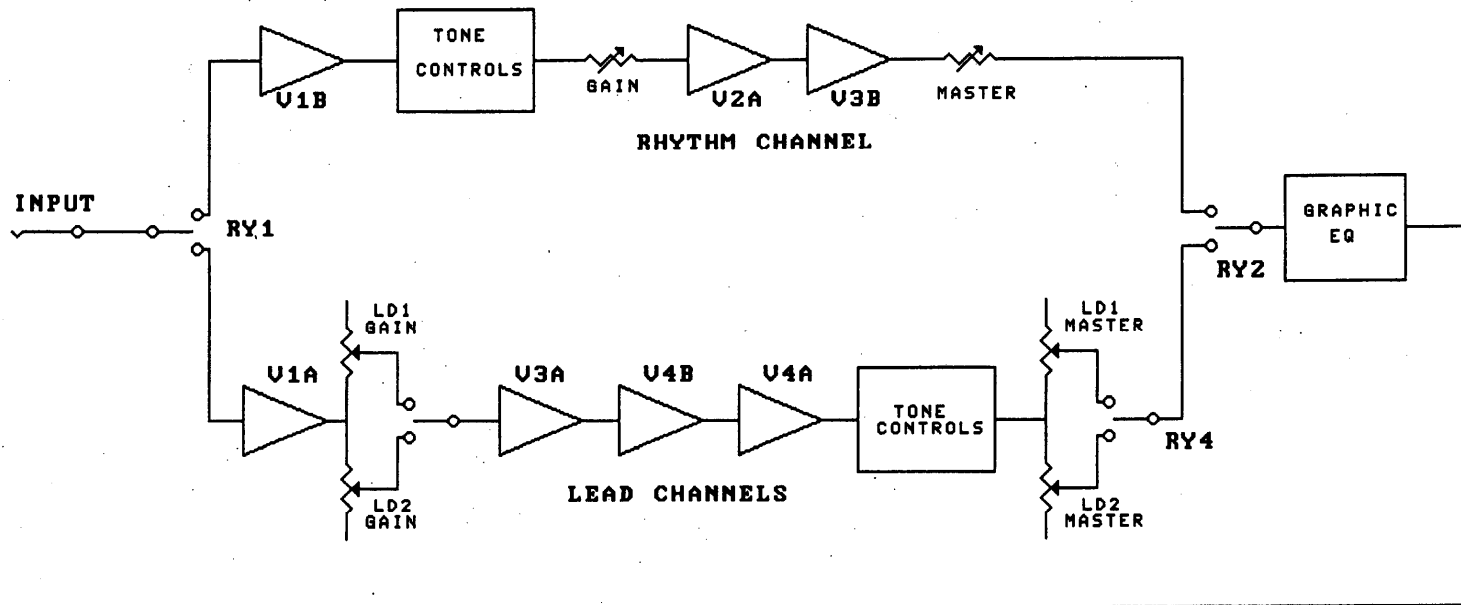
Formula™ Pre

Parts Sheet - *Formula* - Front Panel

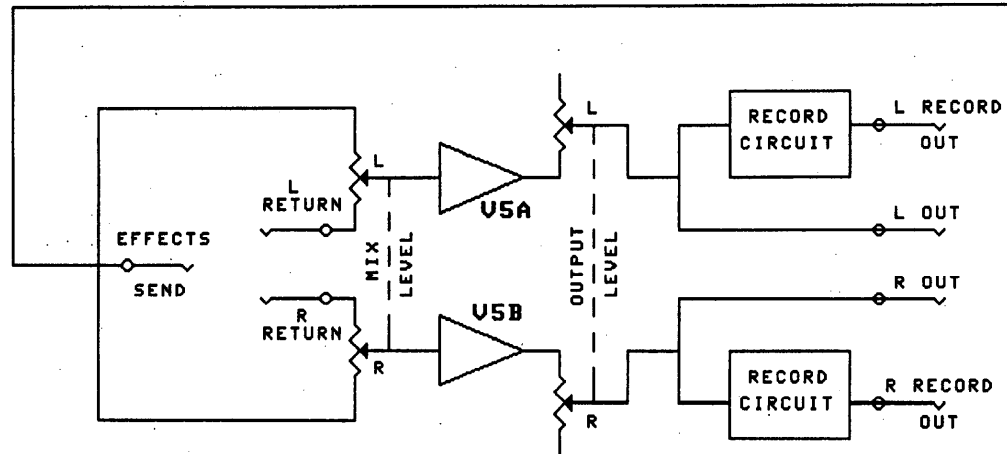


Parts Sheet - *Formula* - Rear Panel



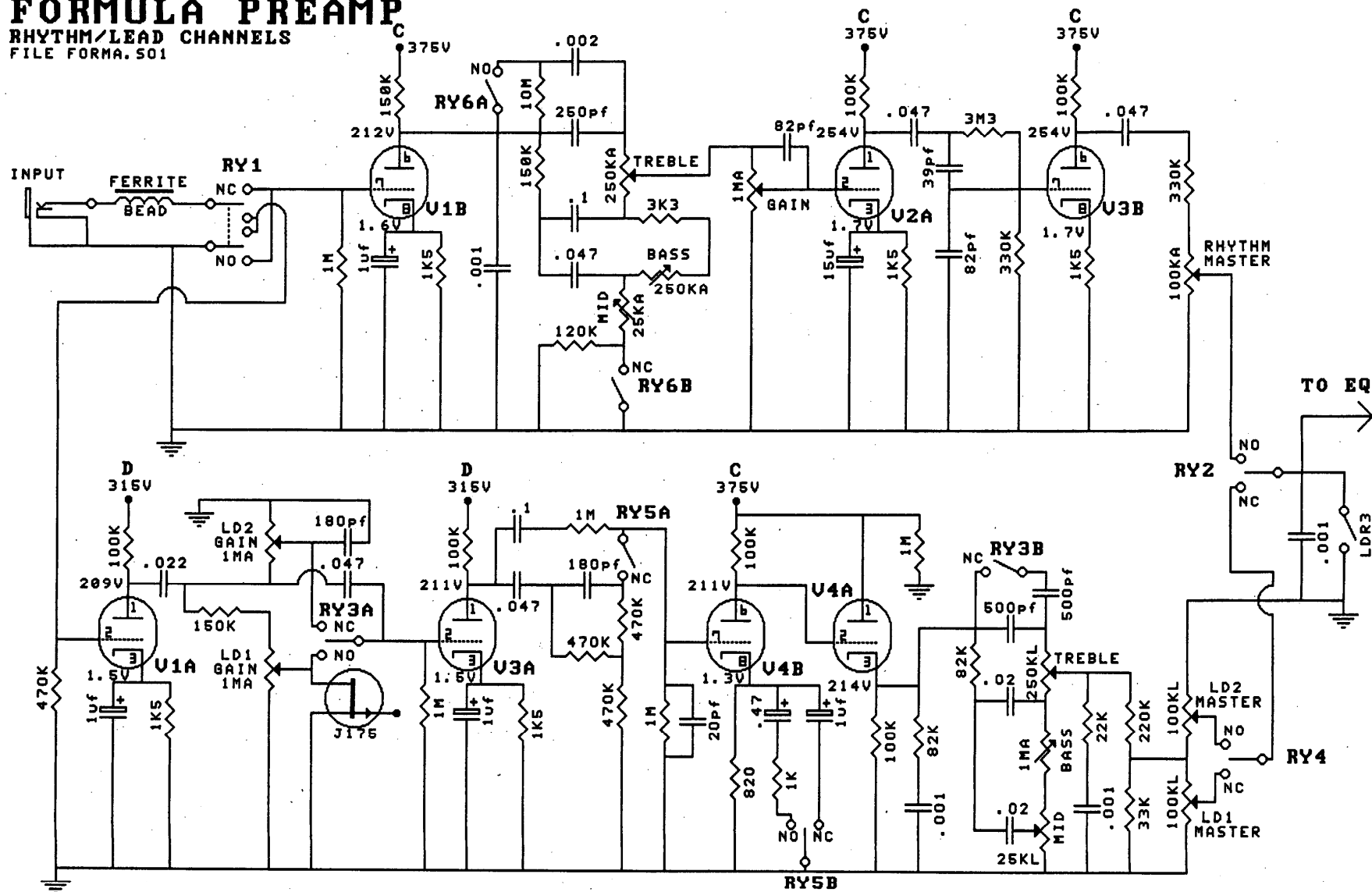


**MESA/BOOGIE
FORMULA PREAMP
BLOCK DIAGRAM
FILE FORMBLK.501**

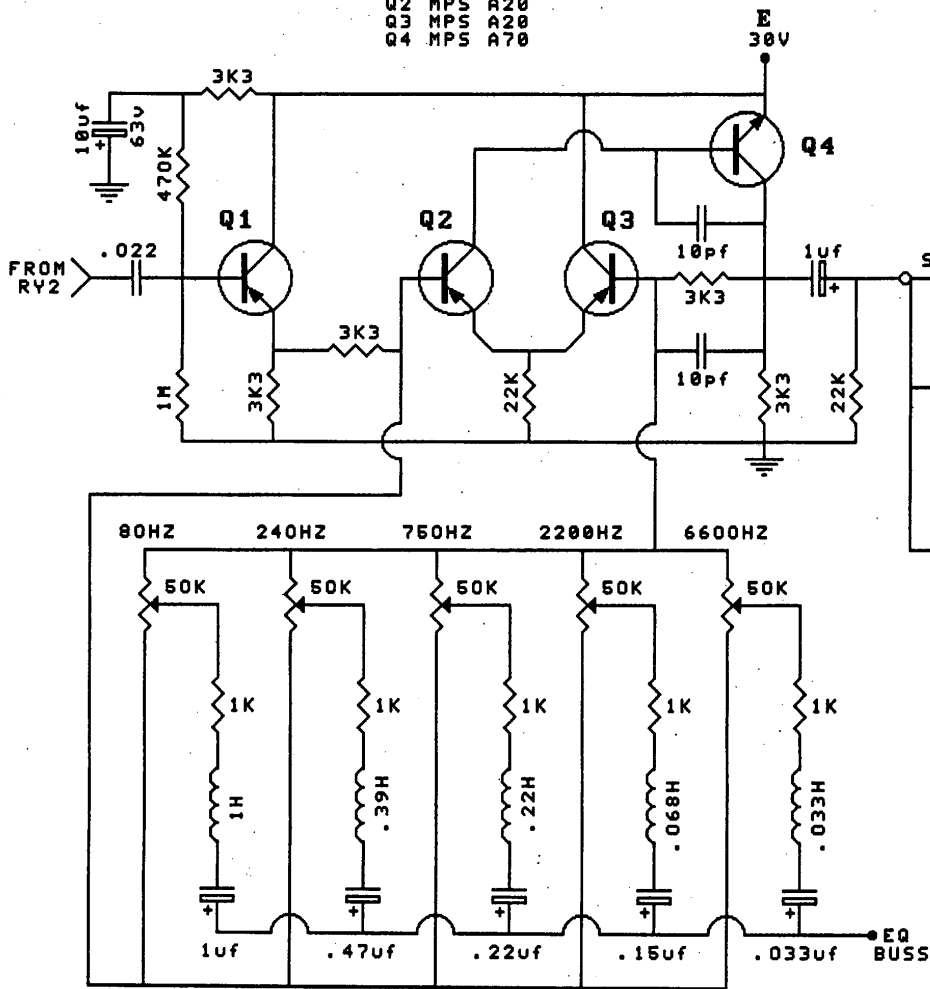


MESA/BOOGIE FORMULA PREAMP

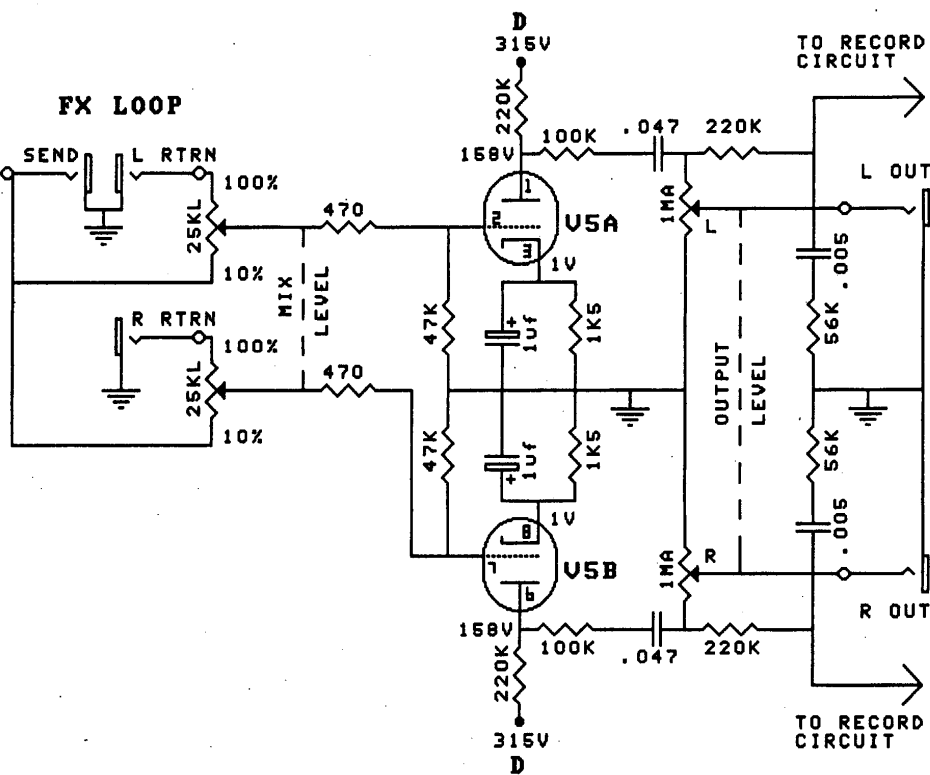
RHYTHM/LEAD CHANNELS
FILE FORMA.501



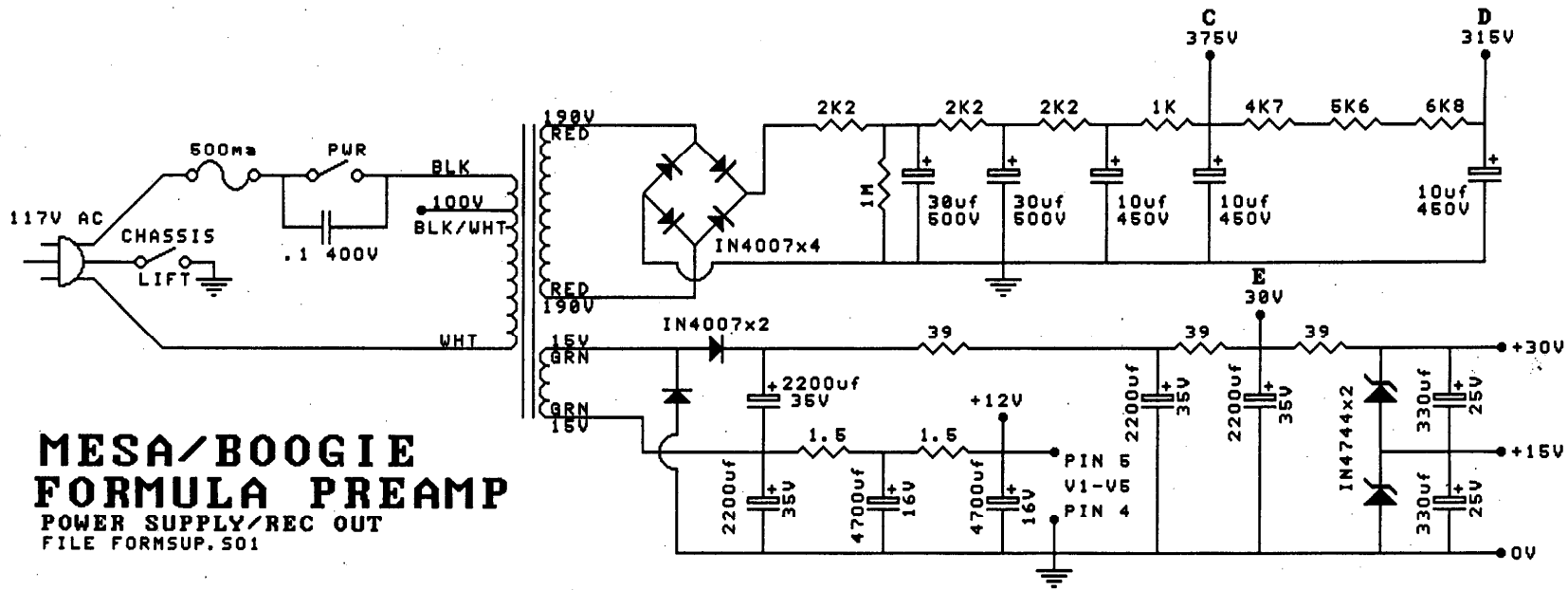
Q1 MPS 220
 Q2 MPS 220
 Q3 MPS 220
 Q4 MPS 270



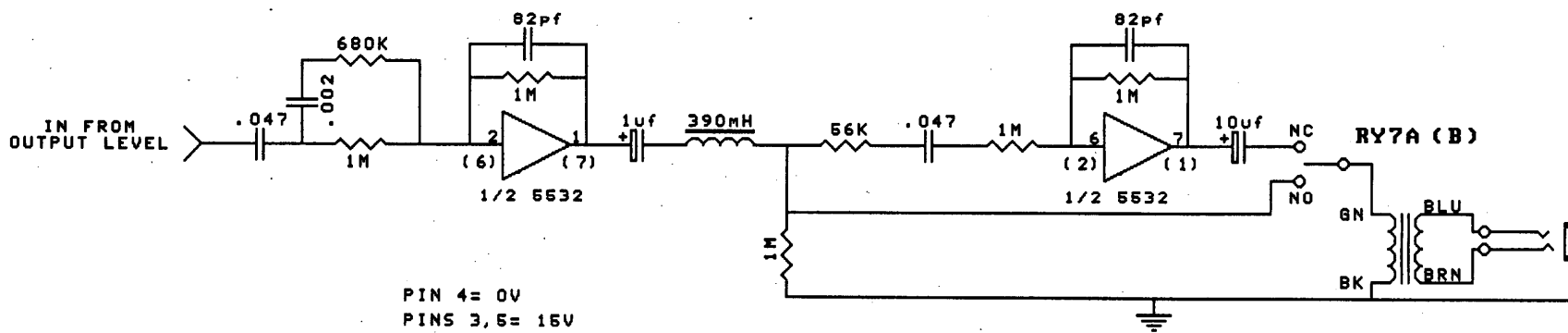
GRAPHIC EQUALIZER



MESA/BOOGIE
FORMULA PREAMP
 EQ AND EFFECTS LOOP
 FILE FORMEQ.S01

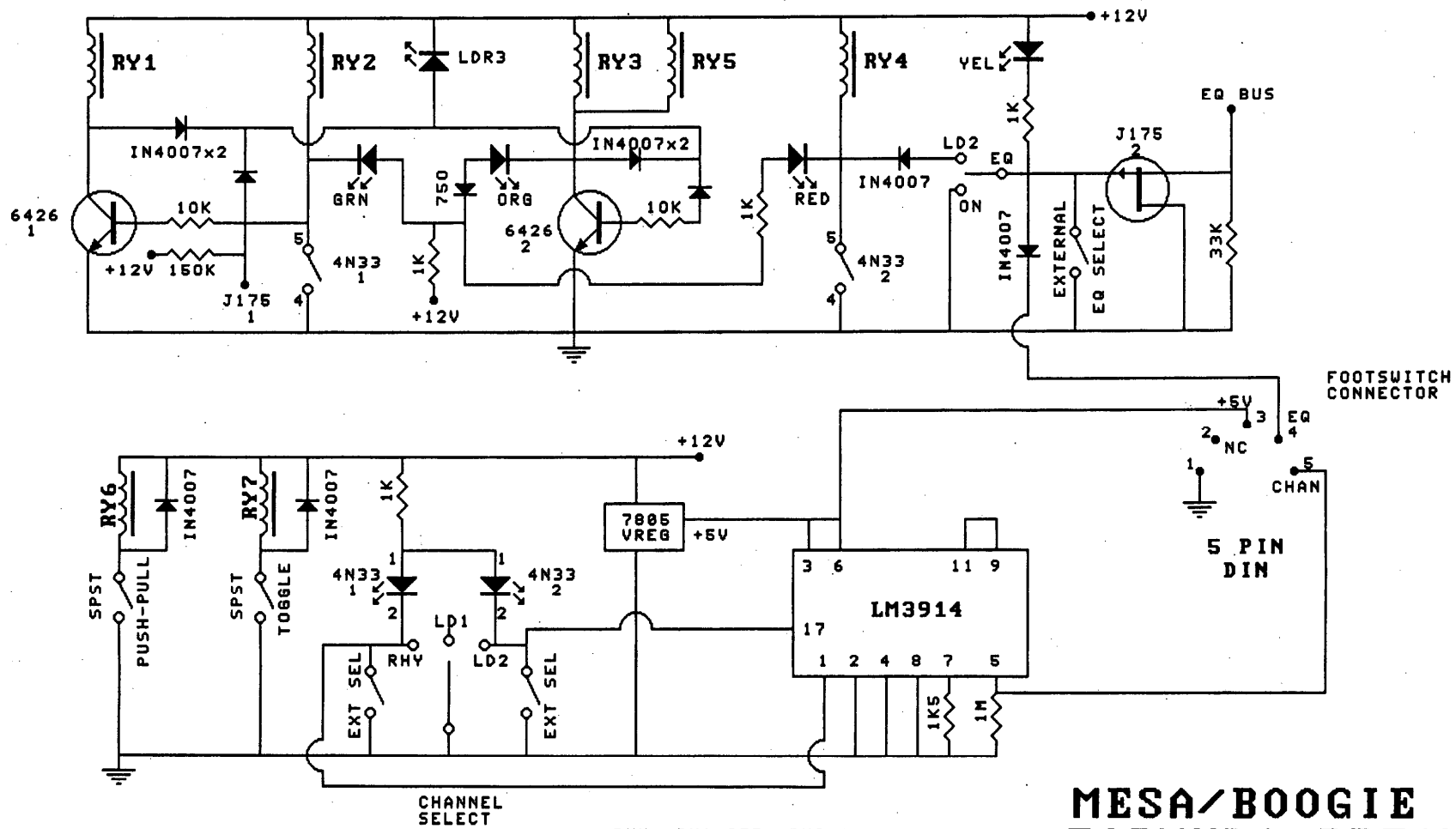


**MESA/BOOGIE
FORMULA PREAMP**
POWER SUPPLY/REC OUT
FILE FORMSUP.501



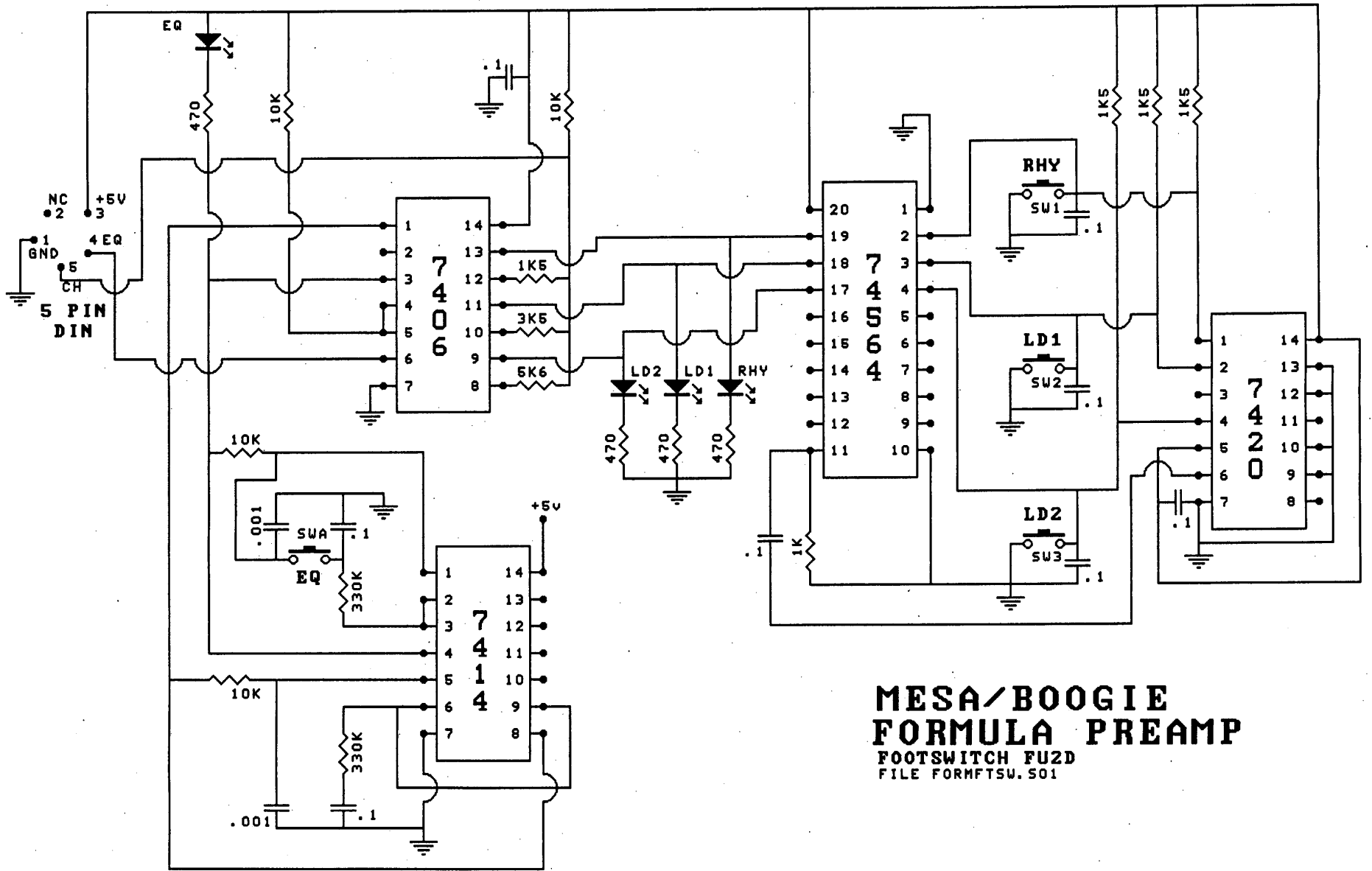
PIN 4 = 0V
PINS 3, 5 = 15V
PIN 8 = 30V

RECORD OUT CIRCUIT



RHY= RY1 OFF, RY2 ON
 LD1= RY1 ON, RY2 OFF,
 RY3 ON, RY4 OFF, RY5 ON
 LD2= RY1 ON, RY2 OFF,
 RY3 OFF, RY4 ON,
 RY5 OFF

MESA/BOOGIE
FORMULA PREAMP
 SWITCHING MATRIX
 FILE FORMSU1.S01



MESA/BOOGIE
FORMULA PREAMP
 FOOTSWITCH FU2D
 FILE FORMFTSU.S01