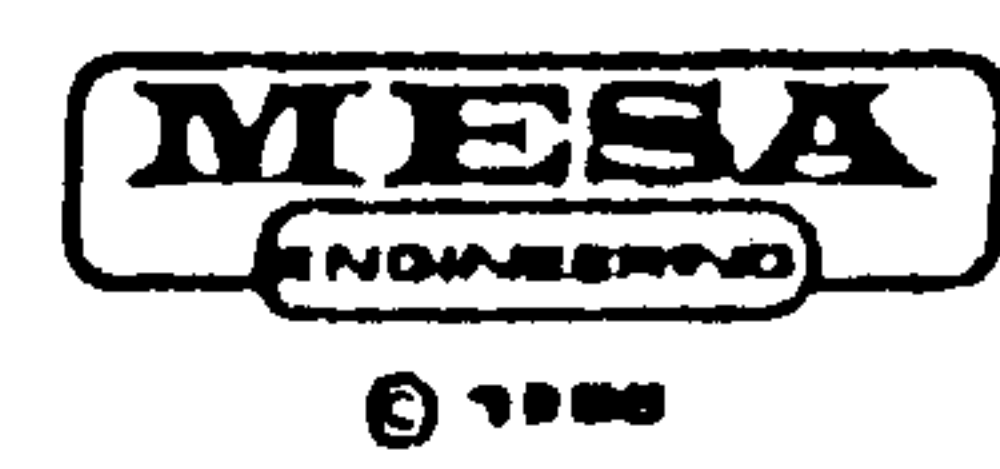
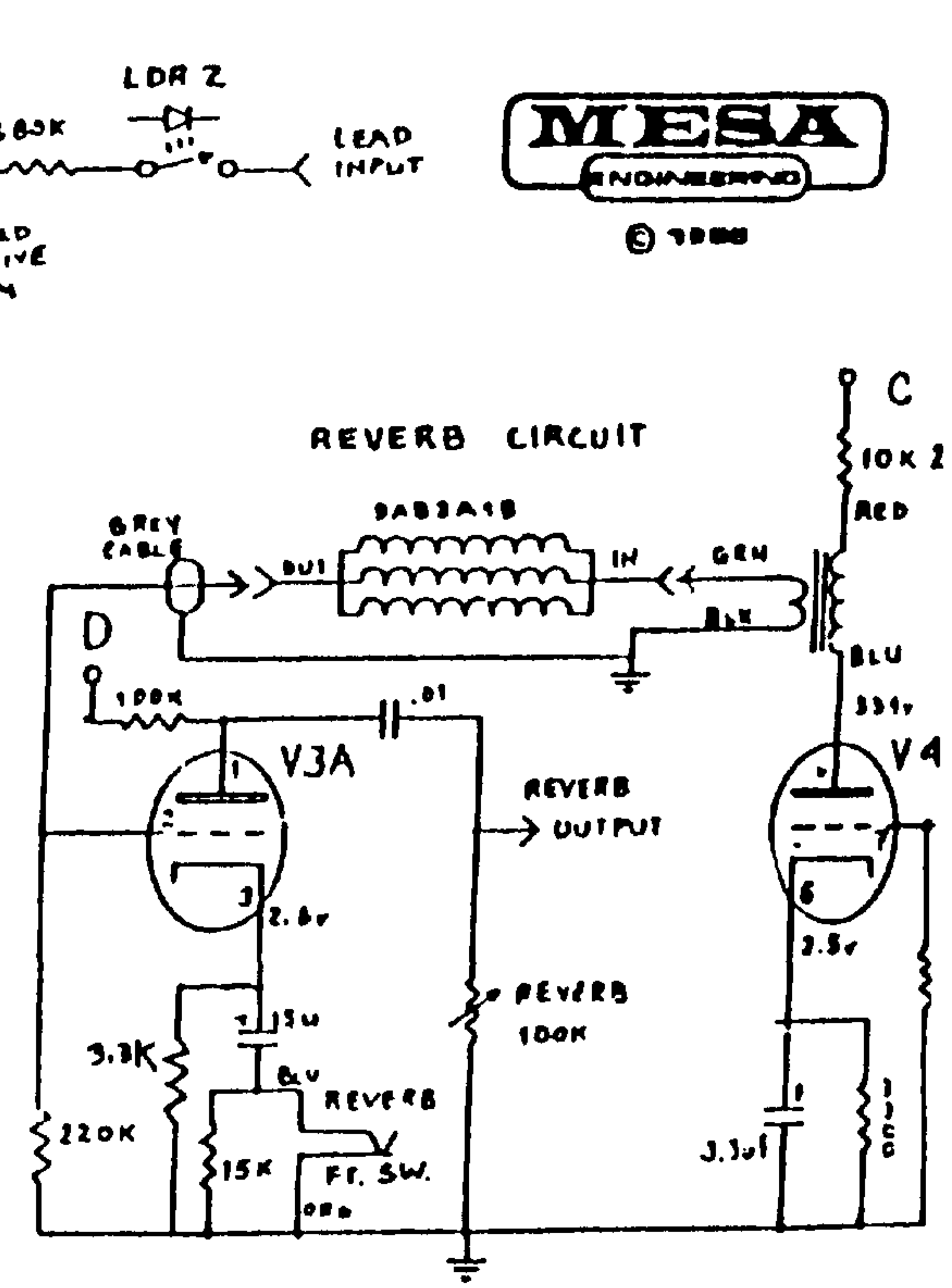
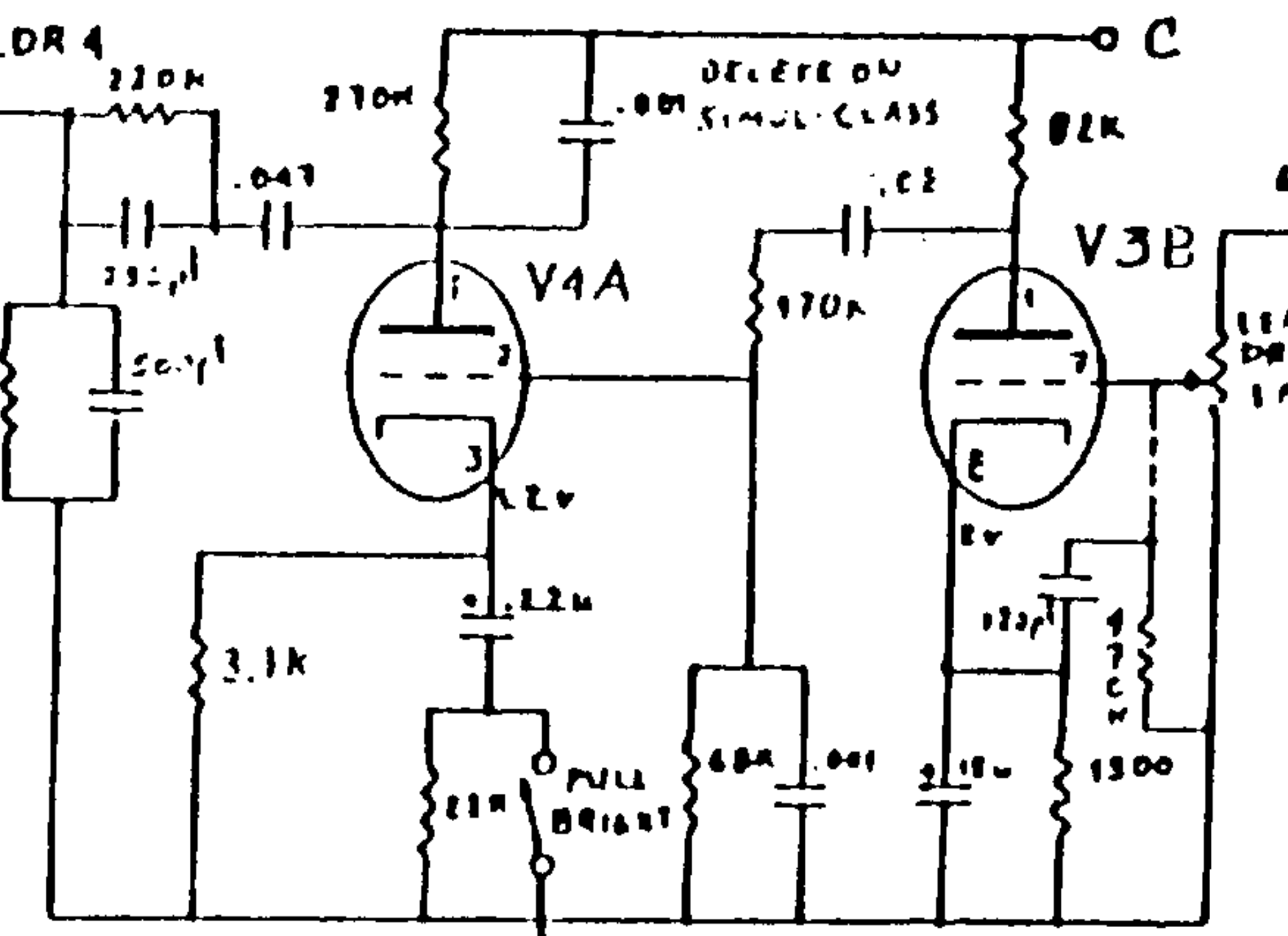
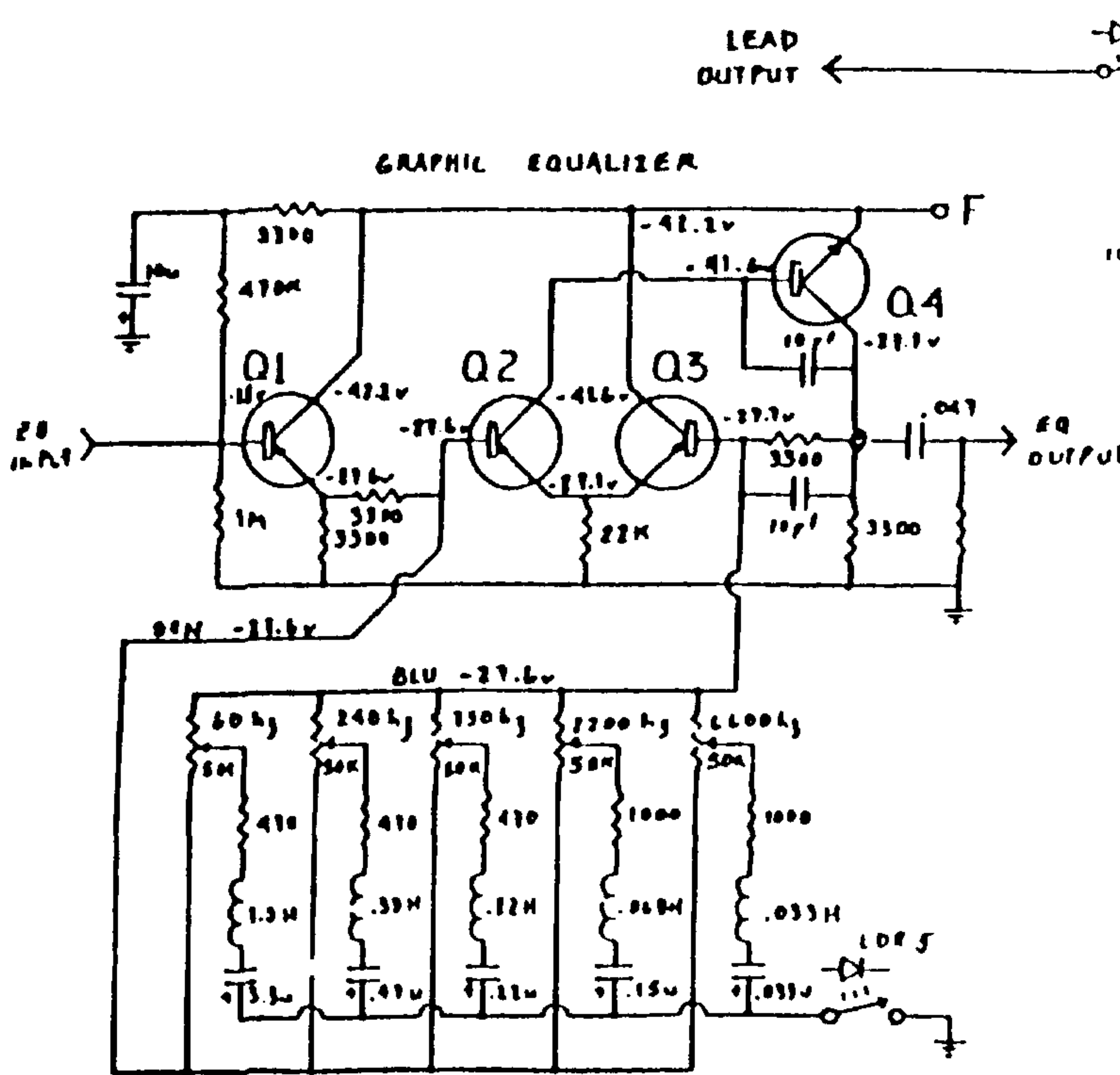
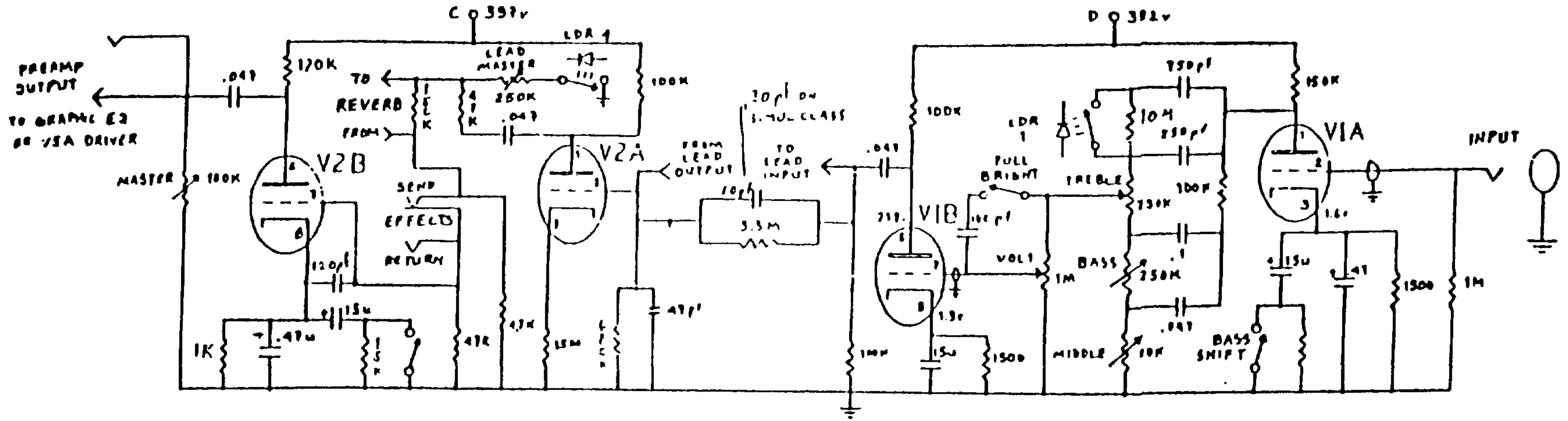


MESA/BOOGIE MARK IIC+ Guitar Preamplifier

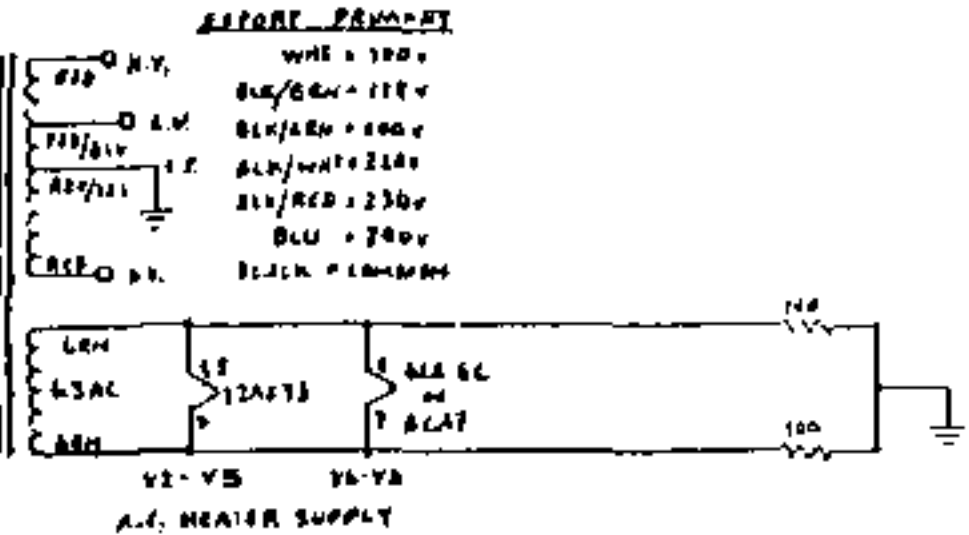
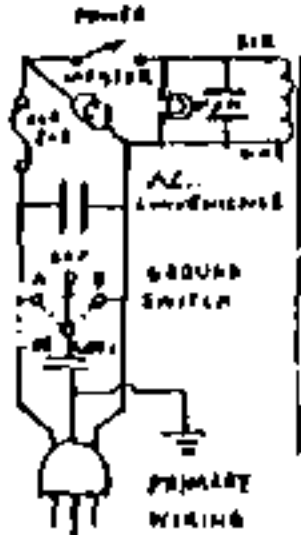
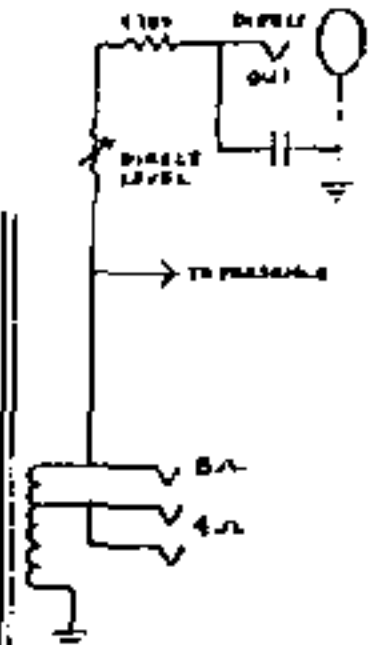
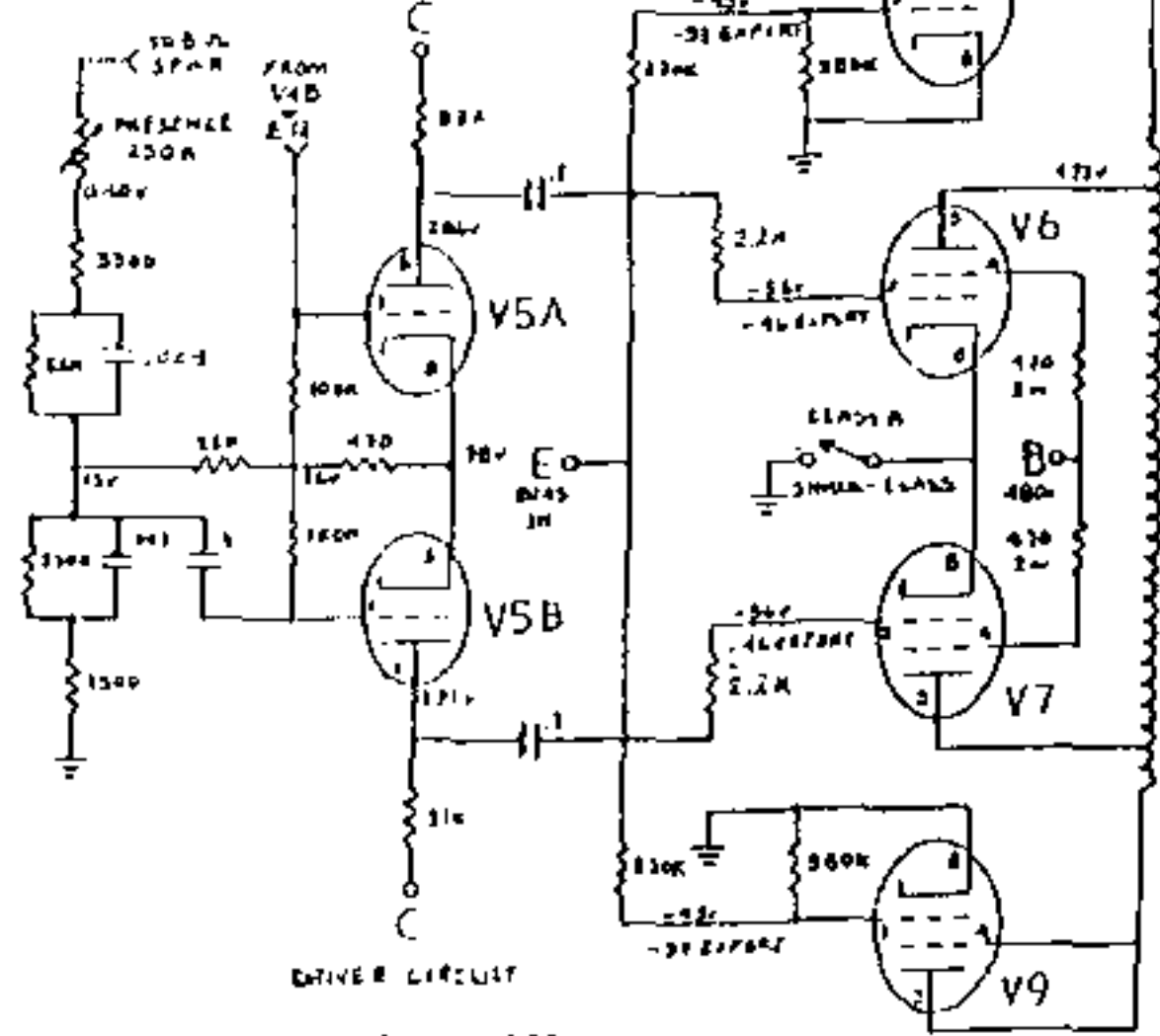
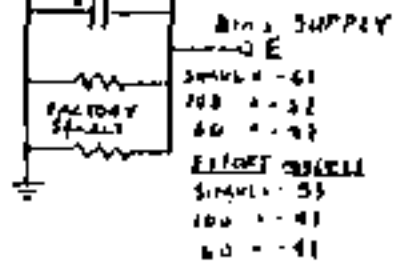
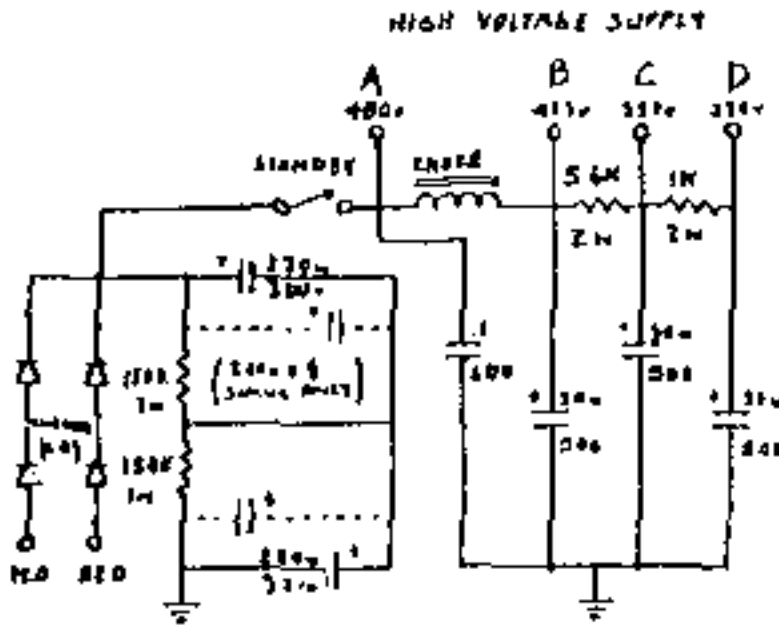
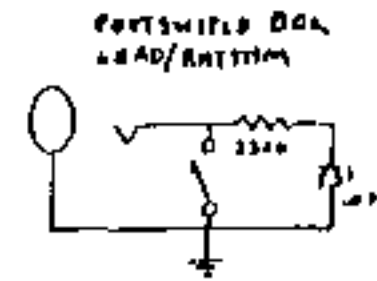
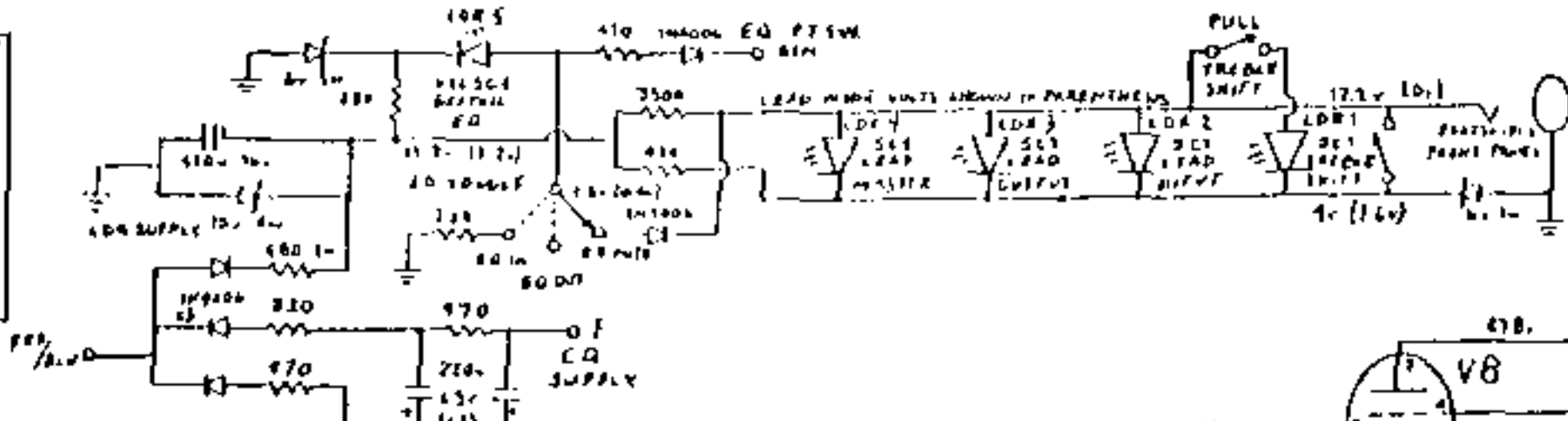


NOTICE: INFRINGERS BEWARE!

This design and circuit is protected under U.S. Patent 4,211,893 and others world-wide. It has been successfully prosecuted against infringers who have paid very large fines and/or been forced out of business!

**MESA**  
(INCORPORATED)

1331 ROSS STREET  
PETALUMA, CALIFORNIA  
(707) 918-6565



DRIVER CIRCUIT  
VOLTAGES MEASURED  
@ 117 A.C. MAIN  
D.C. VOLTAGES MAY  
VARY ± 20%

SIMUL-CLASS™  
POWER CIRCUIT

**SIMUL-CLASS**  
is a patented  
tube with  
U.S. & world wide.

**SIMUL-CLASS**  
PLATE DESIGN  
MAY USE MESA TYPES  
6X4, 6X5, 6X6, 6X  
OR  
6X4, 6X5, 6X6, 6X  
IN V8 & V9 ONLY

PATENTS ISSUED,  
PENDING AND  
APPLIED FOR,  
U.S. & WORLDWIDE  
FOR SIMUL-CLASS