



Series 2

SINGLE RECTIFIER - RECT O VERB (Series 2)

FRONT PANEL

CHANNEL 1		
Control Function	Type	Mesa Part#
Clean/Pushed	Switch	607101
Gain	Pot	593792
	Knob	408110
Treble	Pot	593148
	Knob	408110
Middle	Pot	592378
	Knob	408110
Bass	Pot	593148
	Knob	408110
Presence	Pot	593737
	Knob	408110
Reverb	Pot	593151
	Knob	408110
Master	Pot	592738
	Knob	408110
Green LED	LED	395438
	Lens	703300

CHANNEL 2		
Control Function	Type	Mesa Part#
Raw/Vin/Mod	Switch	607303
Gain	Pot	592794
	Knob	408110
Treble	Pot	592738
	Knob	408110
Middle	Pot	593737
	Knob	408110
Bass	Pot	593739
	Knob	408110
Presence	Pot	593150
	Knob	408110
Reverb	Pot	593151
	Knob	408110
Master	Pot	593739
	Knob	408110
Red LED	LED	395753
	Lens	703300

MISC PARTS		
Control Function	Type	Mesa Part#
Input	Jack	610120
Output	Pot	593148
	Knob	408110
Solo	Pot	593148
	Knob	408110
Pilot Light	Light	703047
	Lens	703782
	Light Holder	703822
Standby	Switch	600631
Power	Switch	600631

REAR PANEL		
MISC PARTS		
Control Function	Type	Mesa Part#
Slave	Jack	618112
Speaker Outs (3)	Jack	618112
Bias Select	Switch	602000
FX Loop		
Mix Level	Pot	593736
	Knob	408110
Return	Jack	618112
Send	Jack	618112
External Switch		
Reverb	Jack	618112
Solo	Jack	" "
Channel	Jack	" "
Footswitch	Jack	613615
Channel Select	Switch	600631
Fuse Holder		
Domestic	Cap/Holder	790347
	Fuse	790250
Export	Cap/Holder	790346
	Fuse	795101
AC Receptacle	Jack	613713

SINGLE RECTIFIER - SOLO 50 (Series 2)

FRONT PANEL

CHANNEL 1		
Control Function	Type	Mesa Part#
Clean/Pushed	Switch	607101
Gain	Pot	593792
	Knob	408110
Treble	Pot	593148
	Knob	408110
Middle	Pot	592378
	Knob	408110
Bass	Pot	593148
	Knob	408110
Presence	Pot	593737
	Knob	408110
Master	Pot	592738
	Knob	408110
Green LED	LED	395438
	Lens	703300

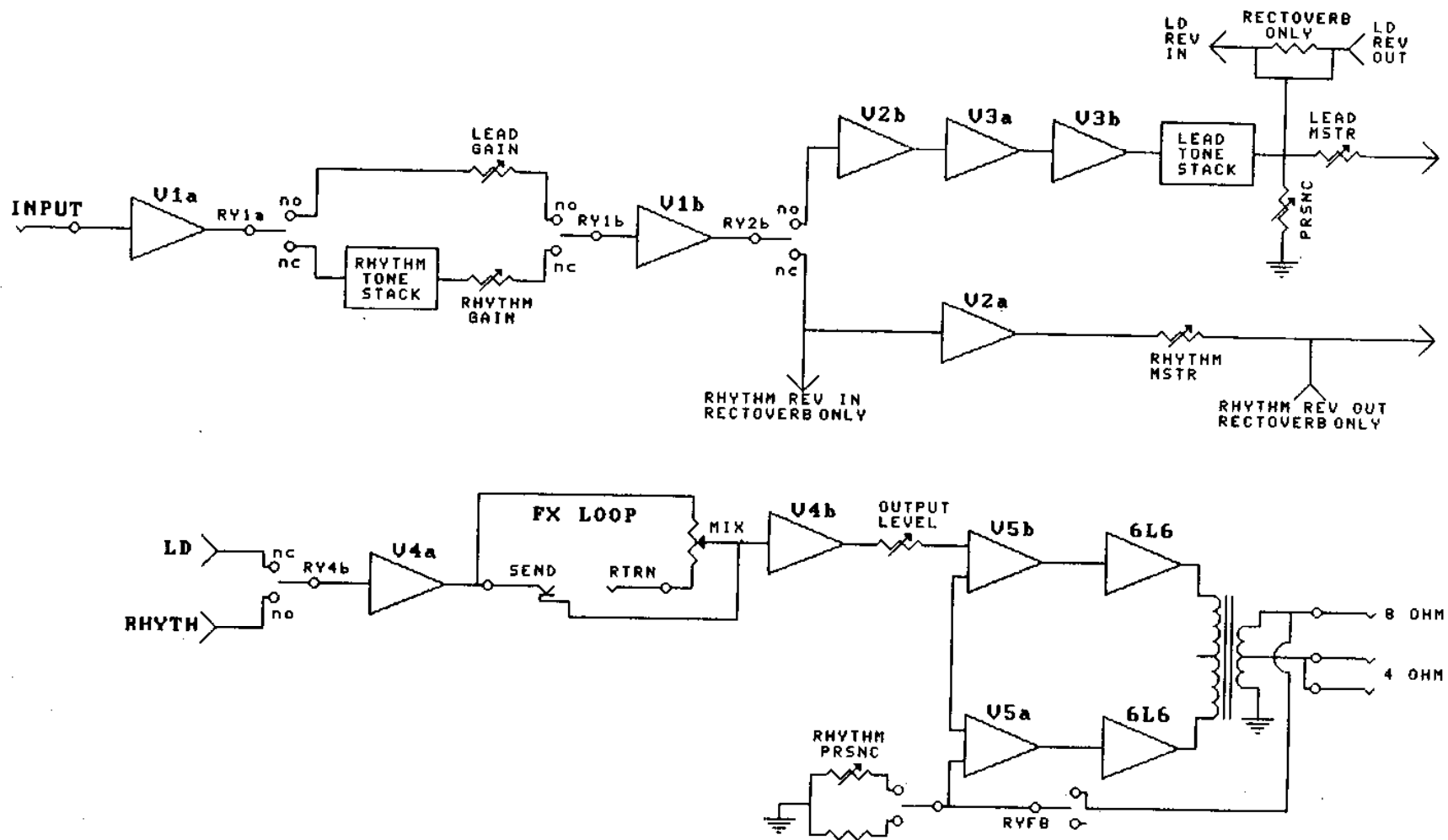
CHANNEL 2		
Control Function	Type	Mesa Part#
Raw/Vin/Mod	Switch	607303
Gain	Pot	592794
	Knob	408110
Treble	Pot	592738
	Knob	408110
Middle	Pot	593737
	Knob	408110
Bass	Pot	593739
	Knob	408110
Presence	Pot	593150
	Knob	408110
Master	Pot	593739
	Knob	408110
Red LED	LED	395753
	Lens	703300

MISC PARTS		
Control Function	Type	Mesa Part#
Input	Jack	610120
Output	Pot	593148
	Knob	408110
Solo	Pot	593148
	Knob	408110
Pilot Light	Light	703047
	Lens	703782
	Light Holder	703822
Standby	Switch	600631
Power	Switch	600631

REAR PANEL		
MISC PARTS		
Control Function	Type	Mesa Part#
Slave	Jack	618112
Speaker Outs (3)	Jack	618112
Bias Select	Switch	602000
FX Loop		
Mix Level	Pot	593736
	Knob	408110
Return	Jack	618112
	Send	Jack
External Switch		
Solo	Jack	618112
Channel	Jack	618112
Footswitch	Jack	613615
Channel Select	Switch	600631
Fuse Holder		
Domestic	Cap/Holder	790347
	Fuse	790250
Export	Cap/Holder	790346
	Fuse	795101
AC Receptacle	Jack	613713

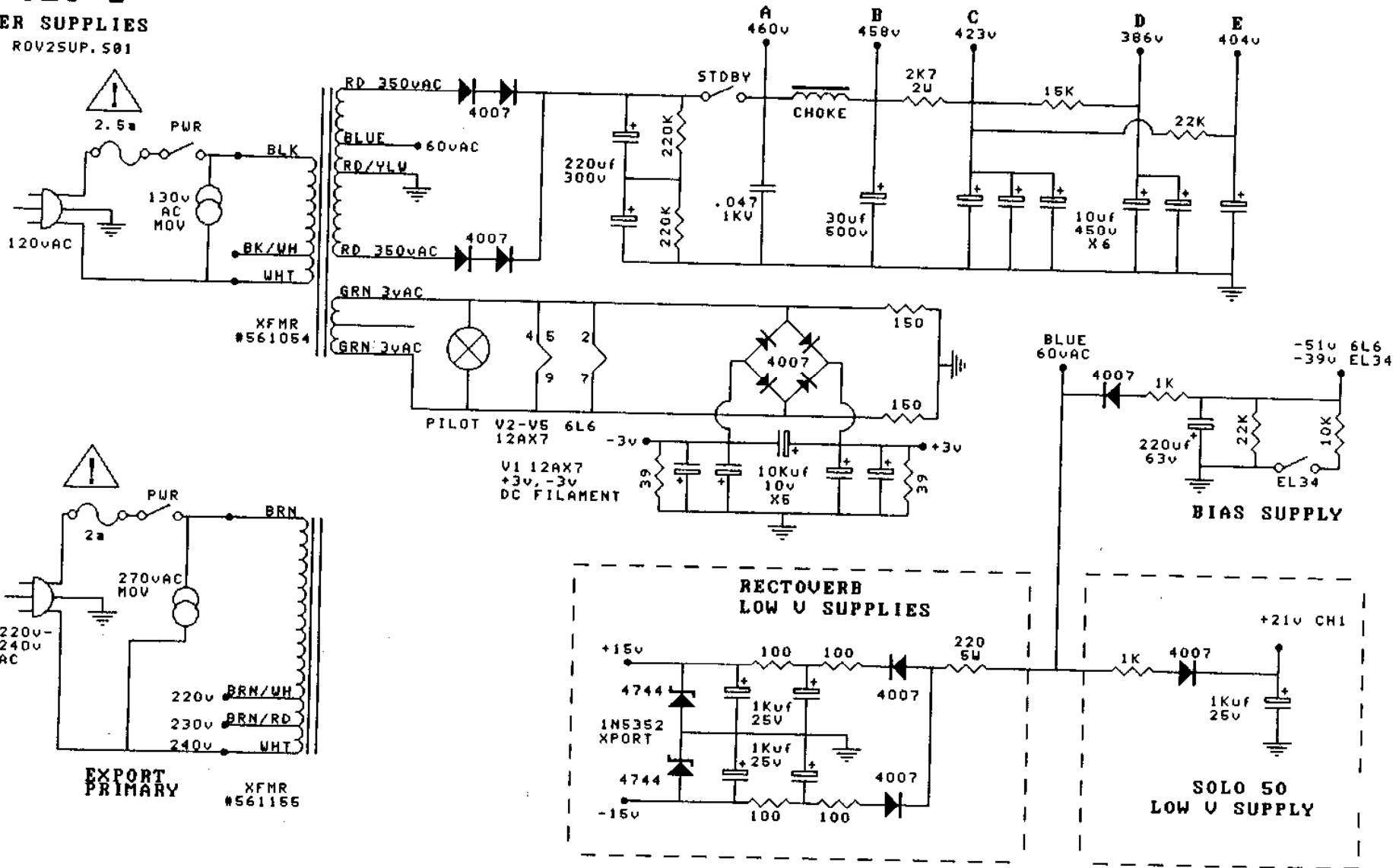
MESA-BOOGIE
RECTOVERB/SOLO 50
SERIES 2

BLOCK DIAGRAM
FILE ROV2BLK.S01



MESA-BOOGIE RECTOVERB/SOLO 50 SERIES 2

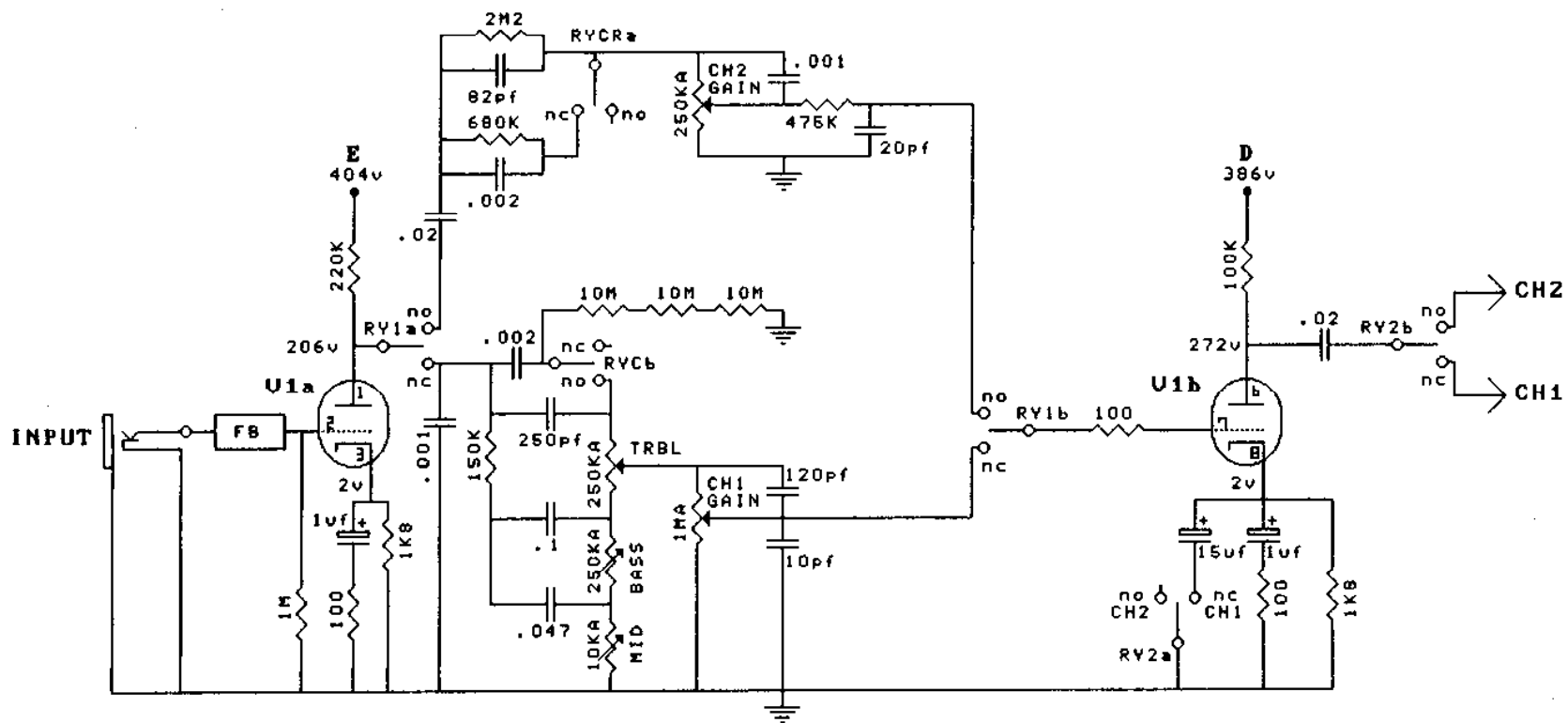
POWER SUPPLIES
FILE ROV2SUP.S01



MESA-BOOGIE
SOLO 50/RECTOVERB
SERIES 2

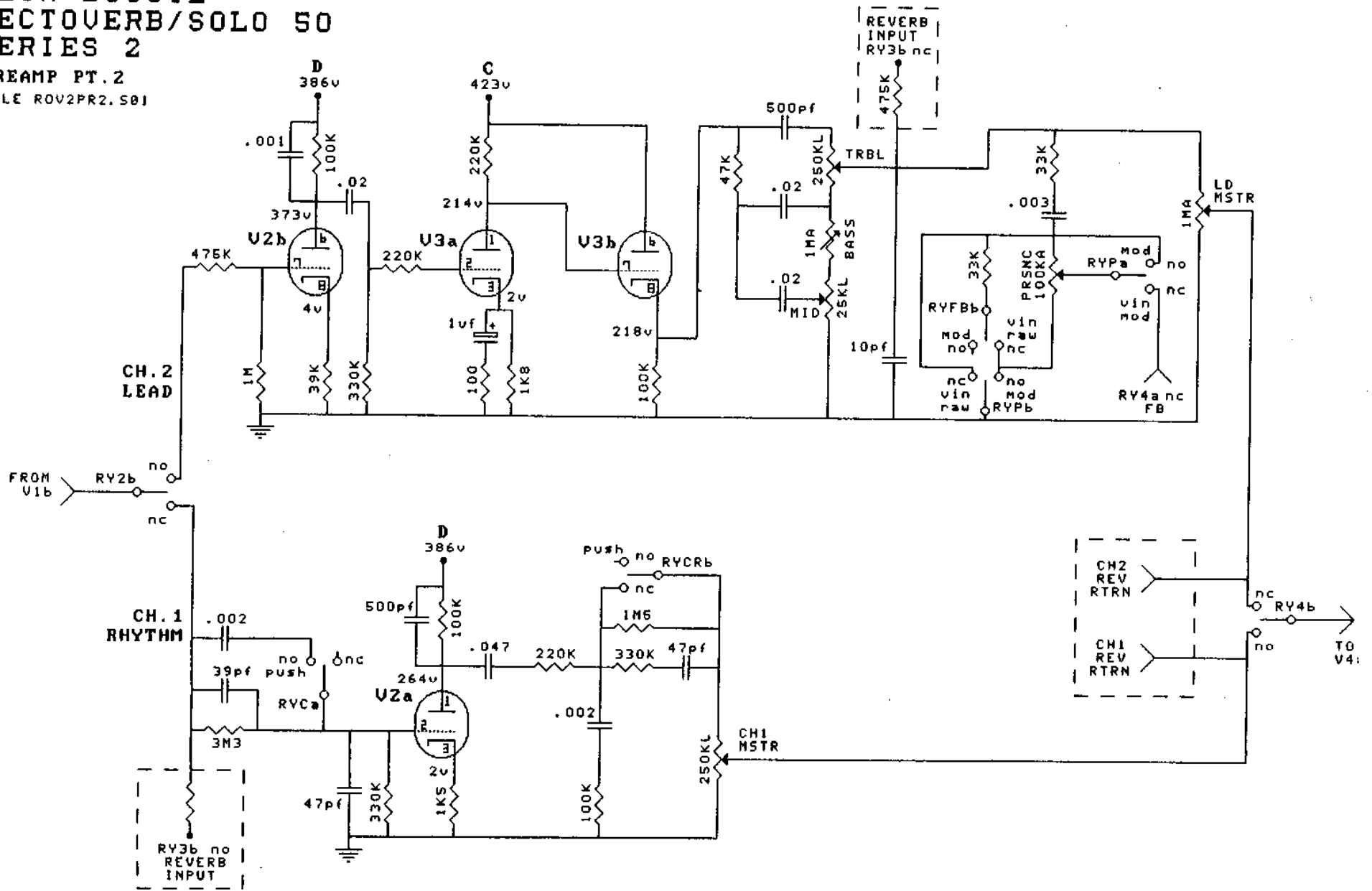
PREAMP PT. 1

FILE ROV2PR1.501



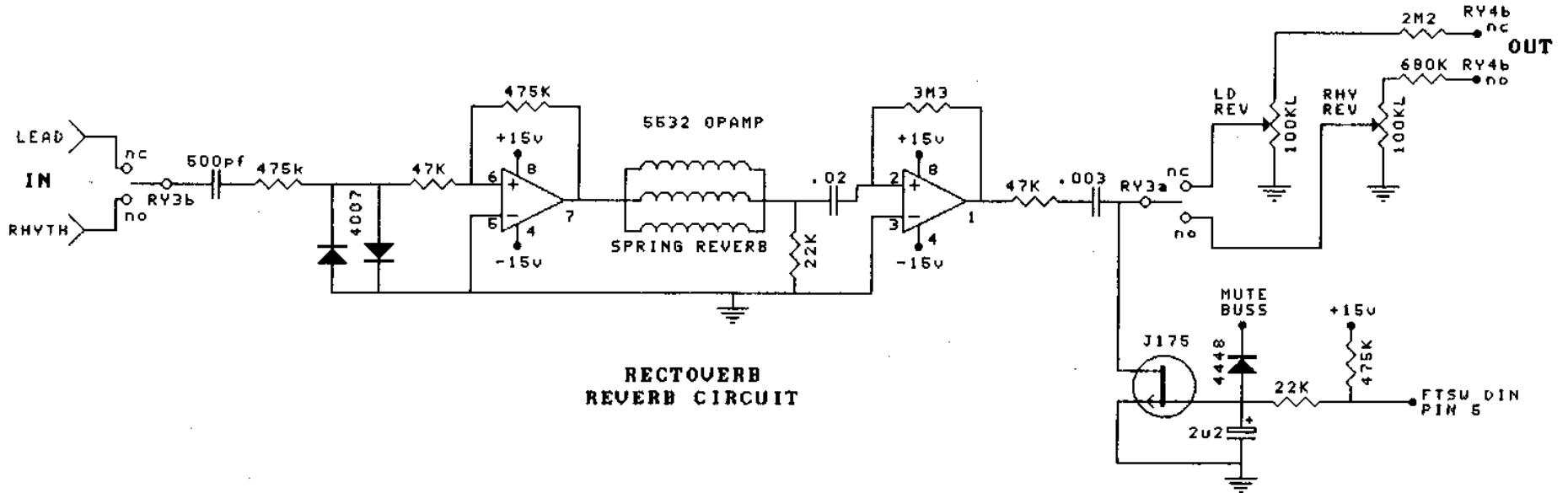
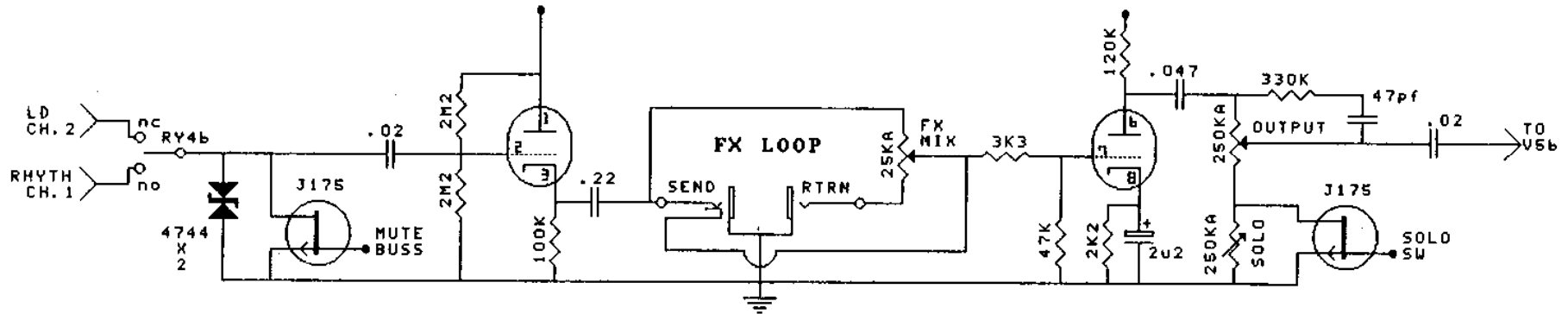
MESA-BOOGIE RECTOVERB/SOLO 50 SERIES 2

PREAMP PT. 2
FILE ROV2PR2.S01



MESA-BOOGIE
 RECTOVERB/SOLO 50
 SERIES 2

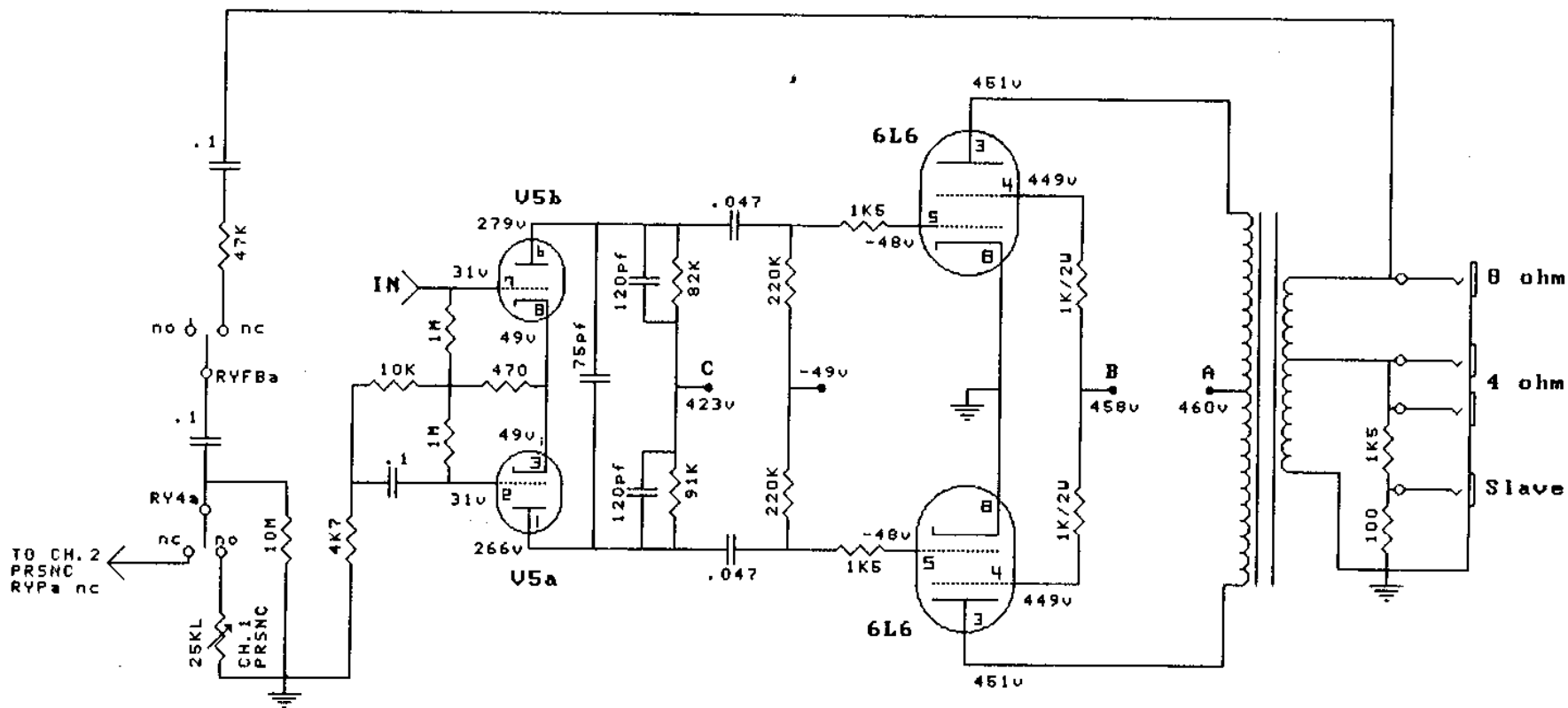
PREAMP PT. 3
 FILE ROV2PR3.501



RECTOVERB
 REVERB CIRCUIT

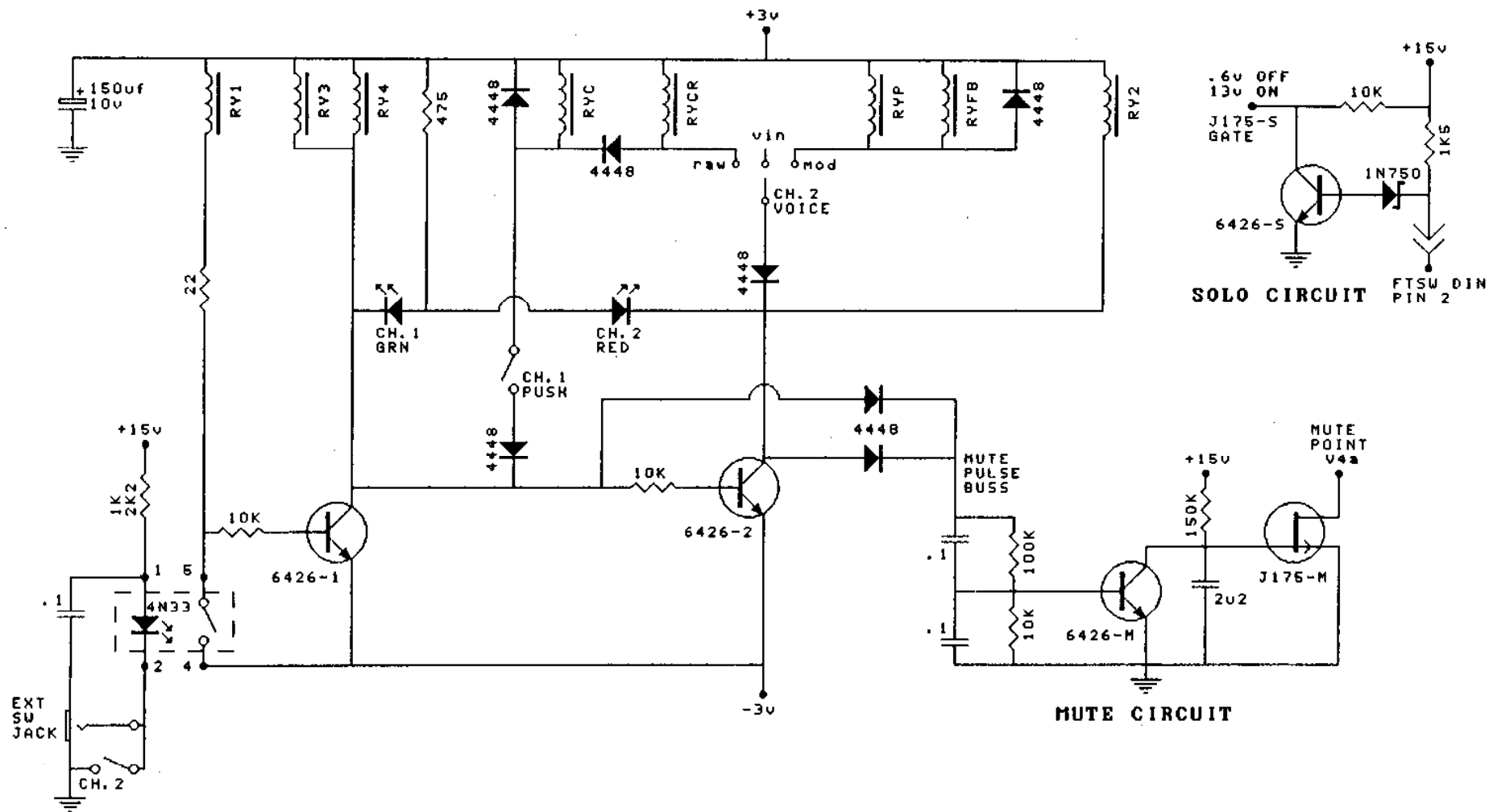
MESA-BOOGIE
 RECTOVERB/SOLO 50
 SERIES 2

POWER AMP
 FILE ROV2PUR.501



MESA-BOOGIE
 RECTOVERB/SOLO 50
 SERIES 2

SWITCHING MATRIX
 FILE ROV25U.501



RECTOVERB

SOLD 50

PWR XFMR # 561054

- separates audio grd and power supply grd. to allow use of "new" #561054 w/ ctr. tap filament supply in older units

