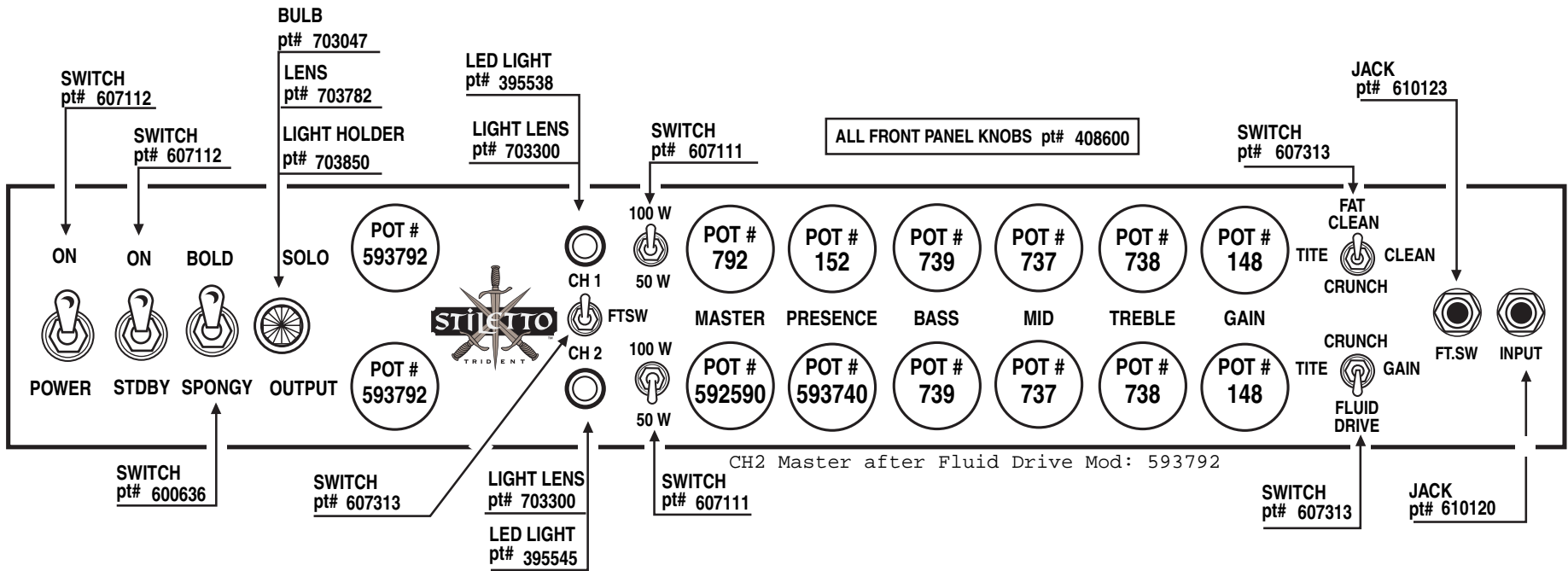
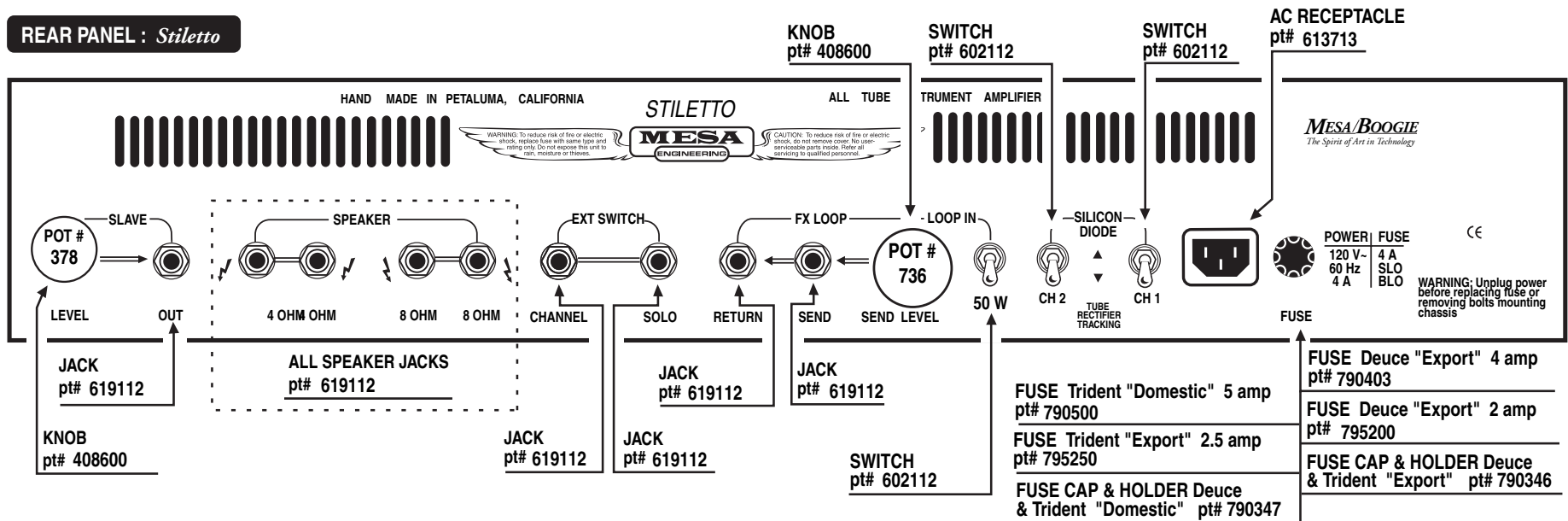


FRONT PANEL : *Stiletto*



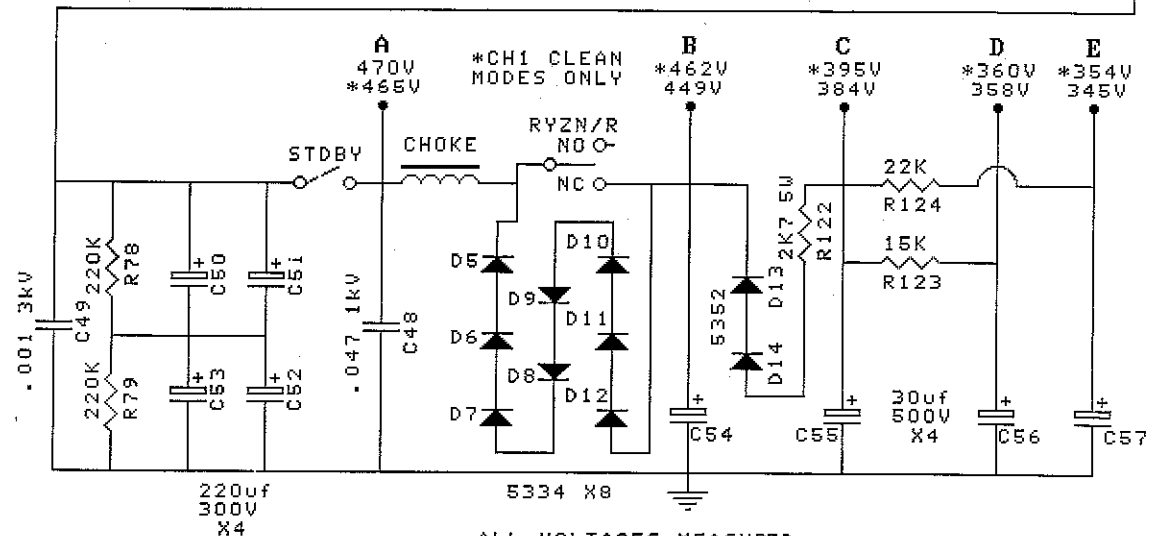
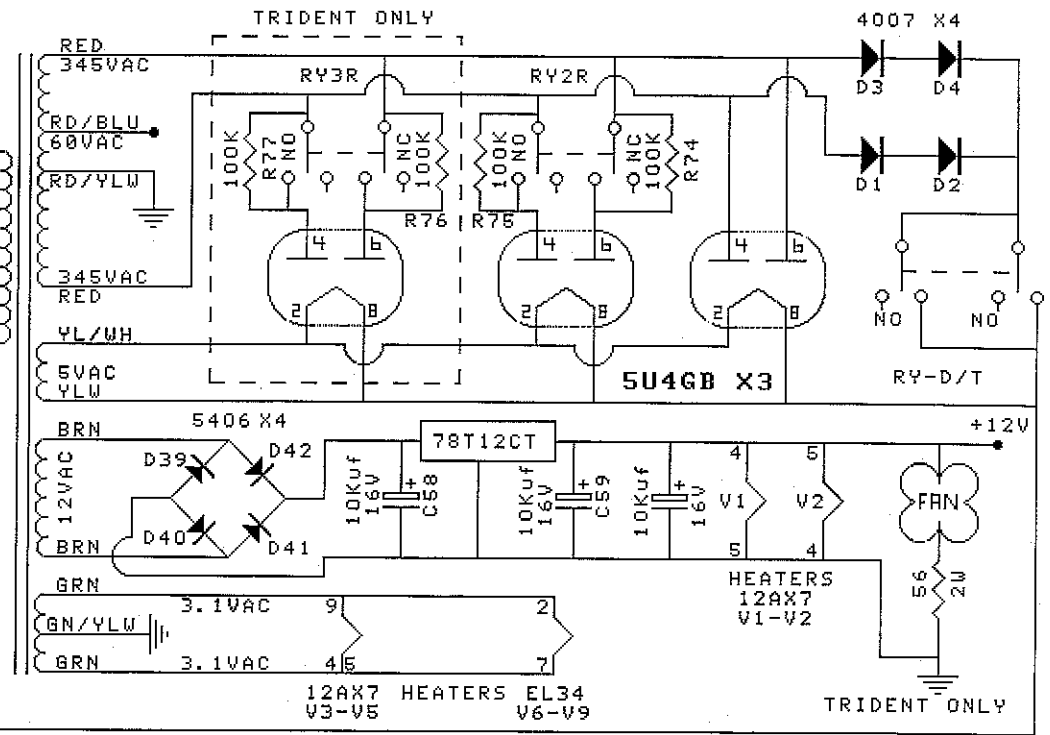
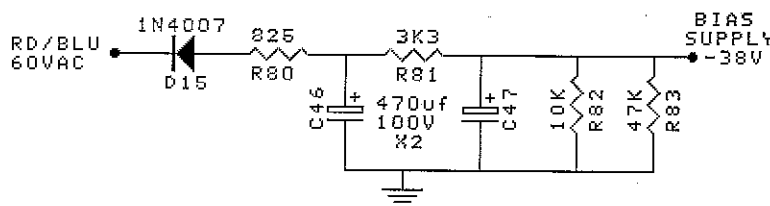
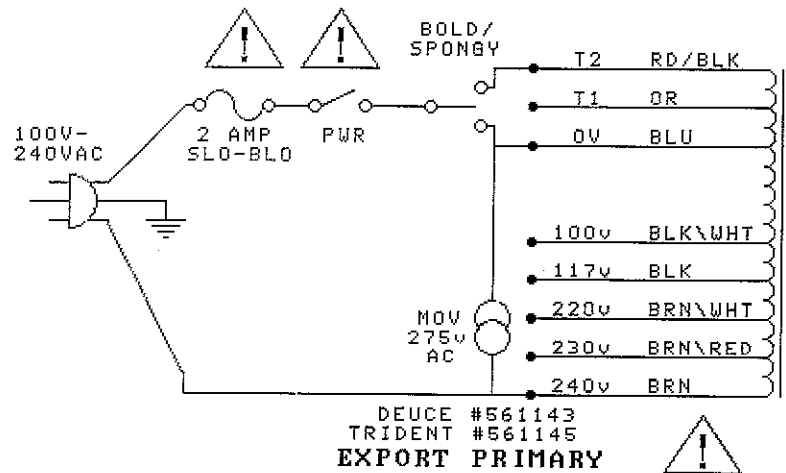
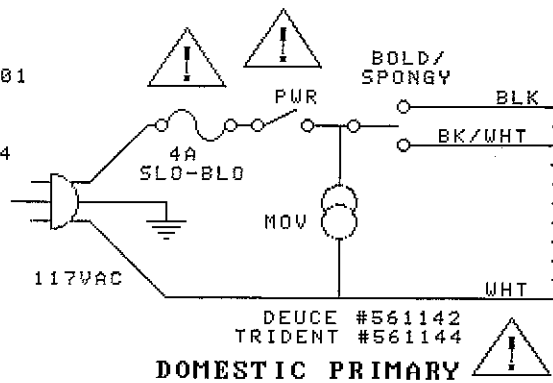
REAR PANEL : *Stiletto*



MESA/BOOGIE STILETTO POWER SUPPLY

FILE: STILSUP.S01
 DATE: 8/10/2004
 DRAWN BY: JOHN M
 PAGE: 1 OF 7
 BOARD REV: STILETTO 4

COVERED UNDER ONE
 OR MORE OF THE
 FOLLOWING PATENTS:
 4,211,893; 4,532,476;
 4,593,251; 4,701,957;
 4,713,624; 5,091,700;
 5,168,438; 5,208,548;
 5,559,469; 6,522,752;
 6,621,987; 6,724,897

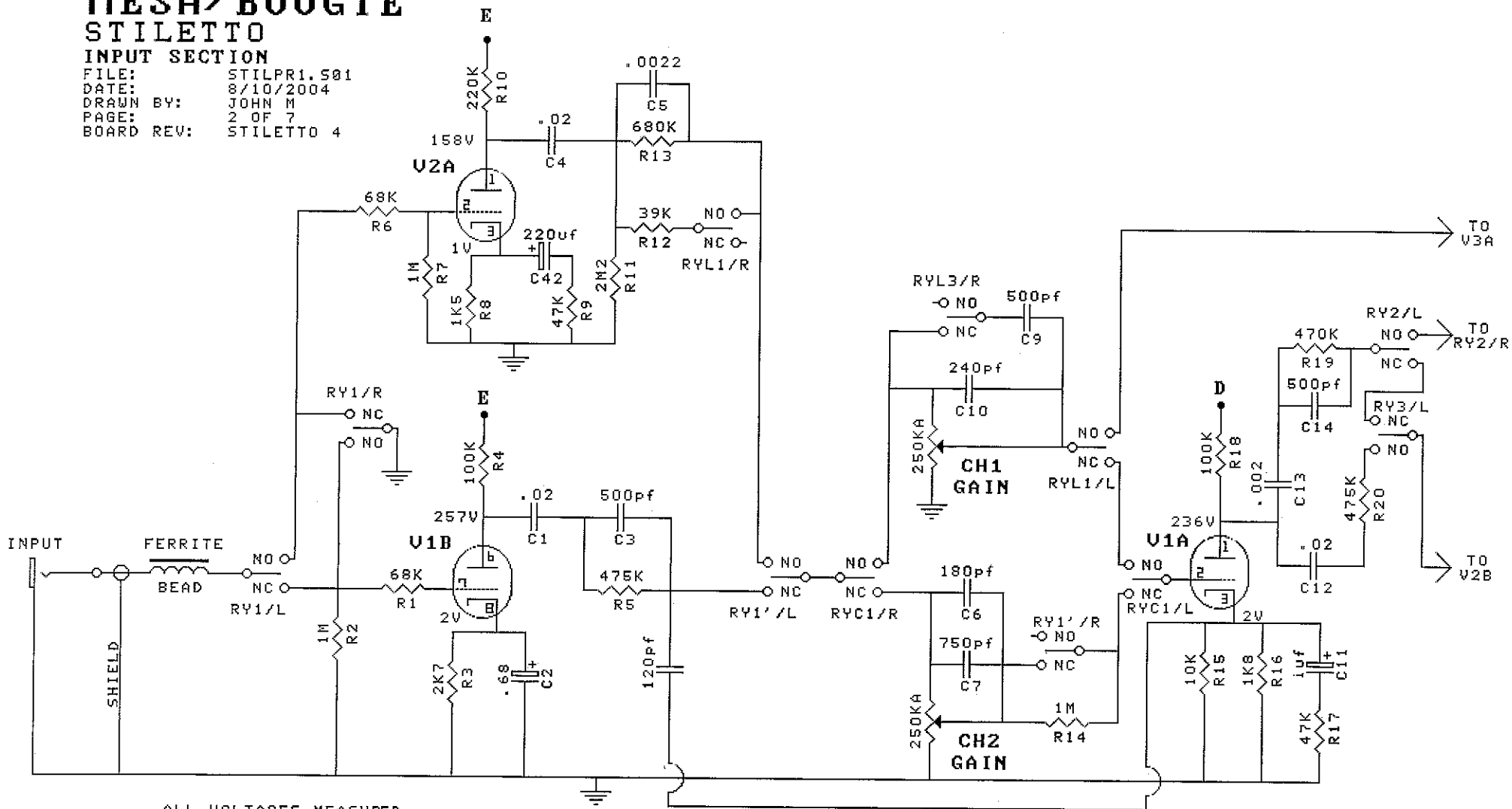


ALL VOLTAGES MEASURED
 IN CH2 CRUNCH MODE

MESA/BOOGIE STILETTO

INPUT SECTION

FILE: STILPR1.501
 DATE: 8/10/2004
 DRAWN BY: JOHN M
 PAGE: 2 OF 7
 BOARD REV: STILETTO 4

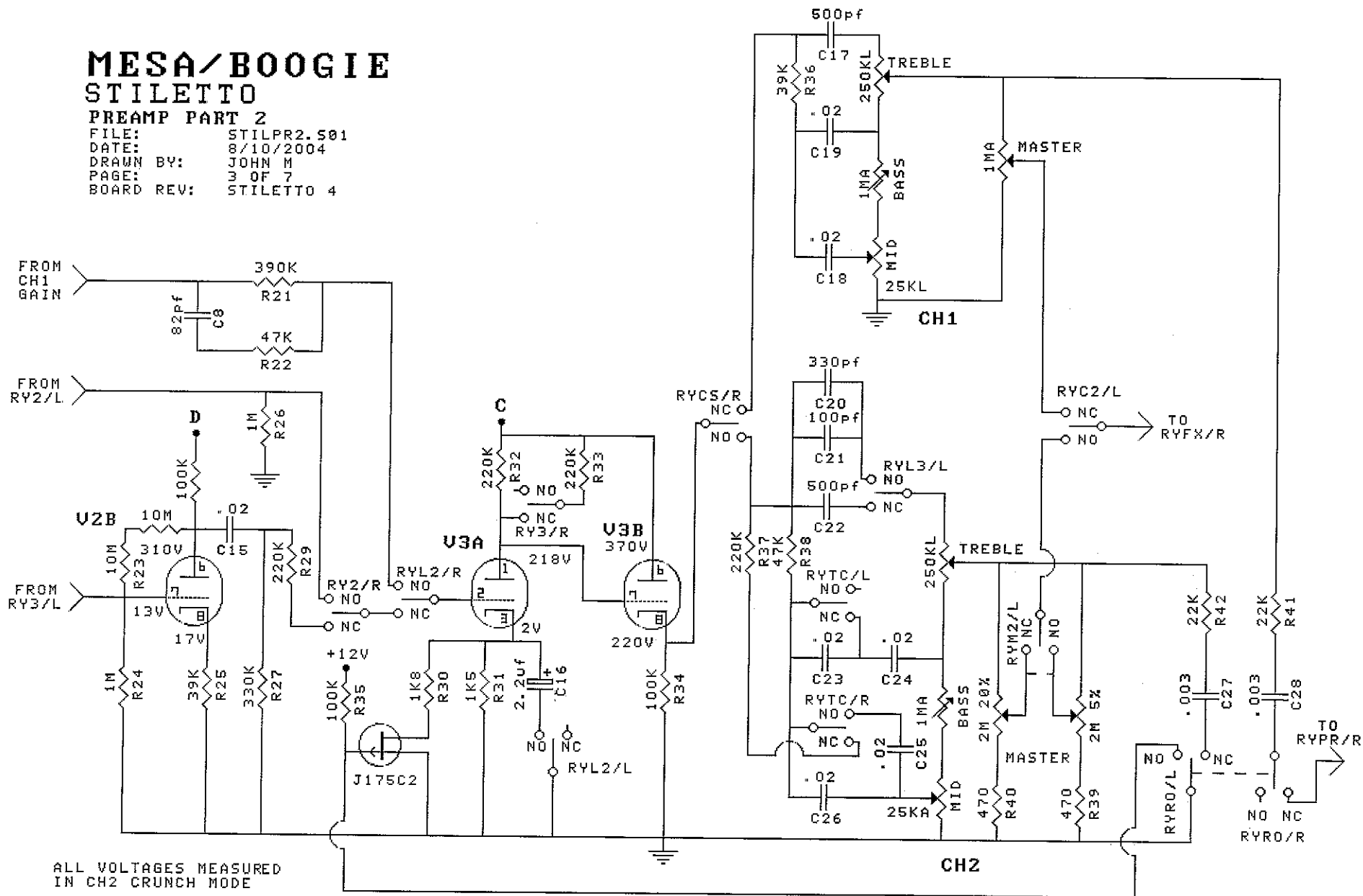


ALL VOLTAGES MEASURED
 IN CH2 CRUNCH MODE

MESA/BOOGIE STILETTO

PREAMP PART 2

FILE: STILPR2.501
 DATE: 8/10/2004
 DRAWN BY: JOHN M
 PAGE: 3 OF 7
 BOARD REV: STILETTO 4

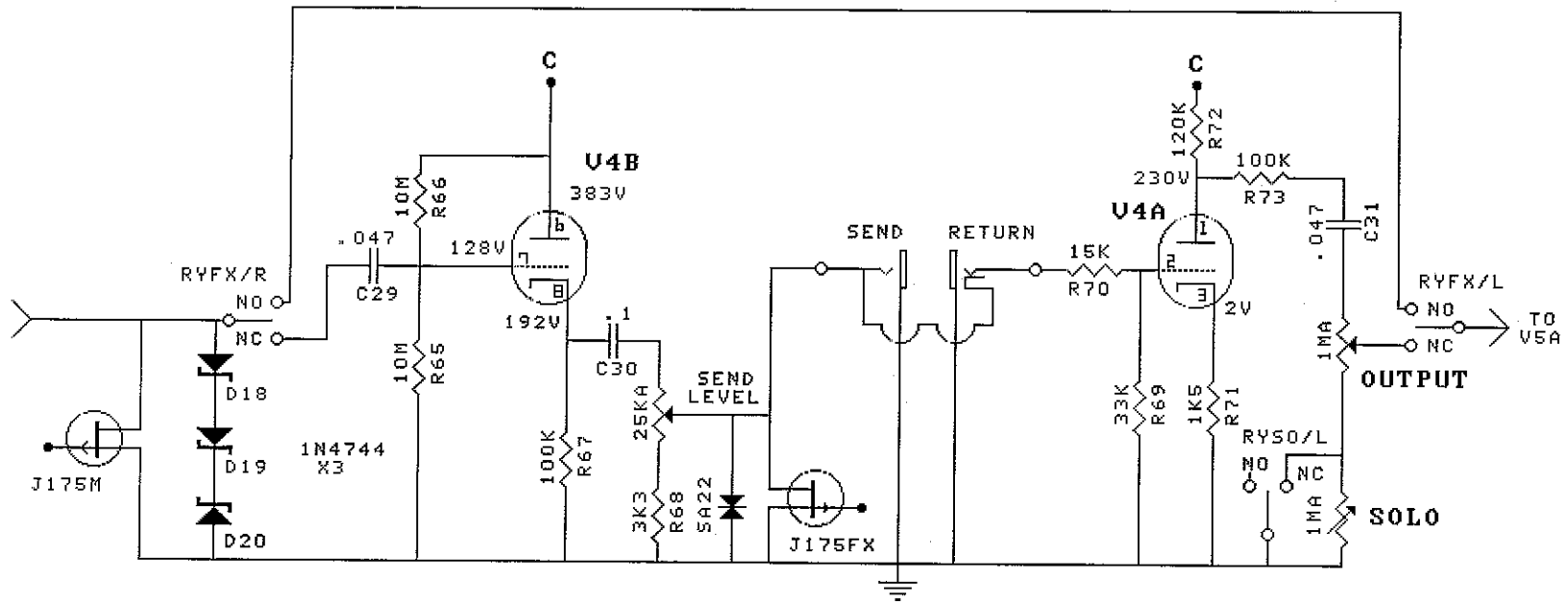


ALL VOLTAGES MEASURED
 IN CH2 CRUNCH MODE

MESA/BOOGIE STILETTO

EFFECTS LOOP

FILE: STILLP.501
 DATE: 8/10/2004
 DRAWN BY: JOHN M
 PAGE: 4 OF 7
 BOARD REV: STILETTO 4



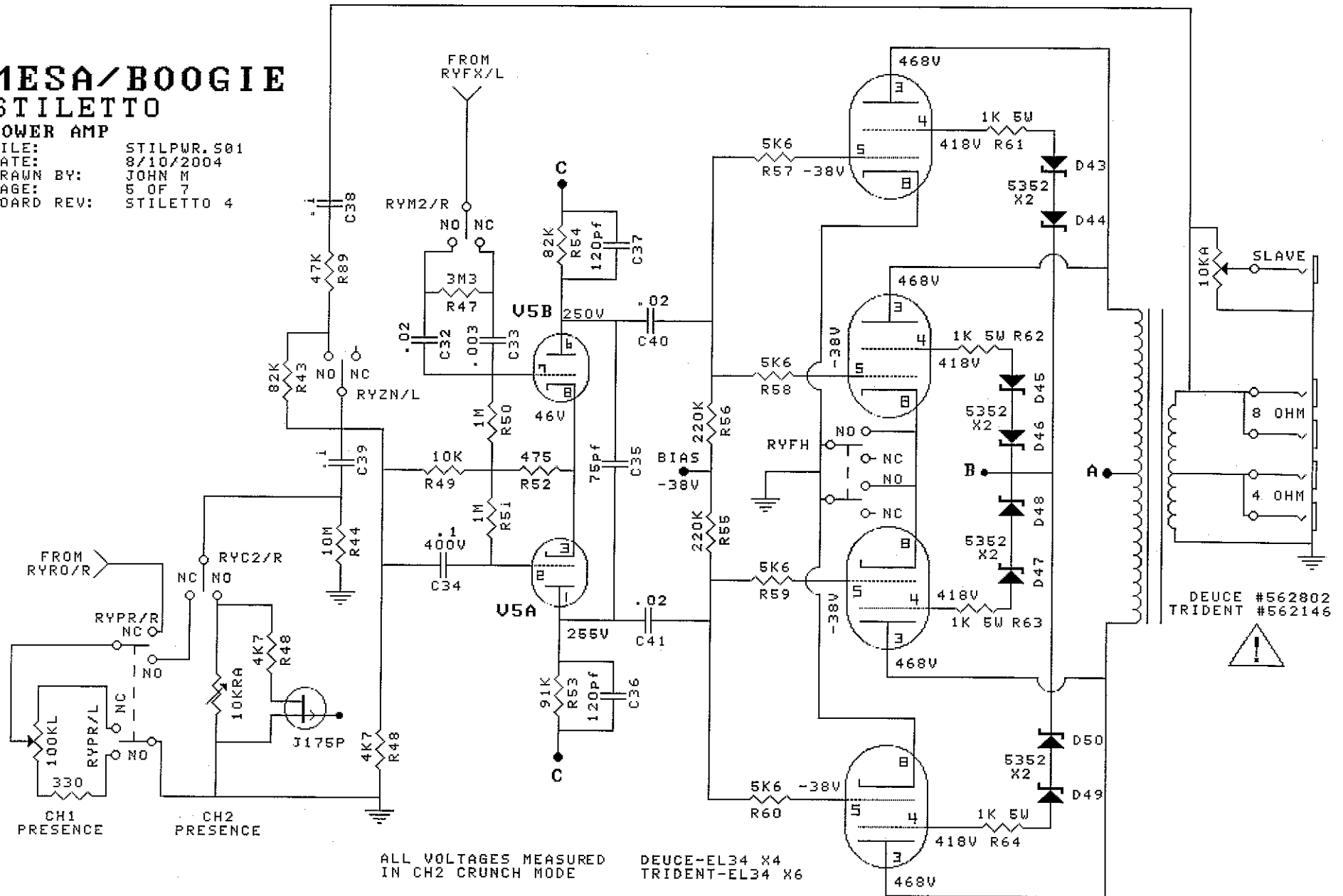
ALL VOLTAGES MEASURED
 IN CH2 CRUNCH MODE

FX LOOP

MESA/BOOGIE STILETTO

POWER AMP

FILE: STILPUR.S01
 DATE: 8/10/2004
 DRAWN BY: JOHN M
 PAGE: 5 OF 7
 BOARD REV: STILETTO 4



ALL VOLTAGES MEASURED
 IN CH2 CRUNCH MODE

DEUCE-EL34 X4
 TRIDENT-EL34 X6

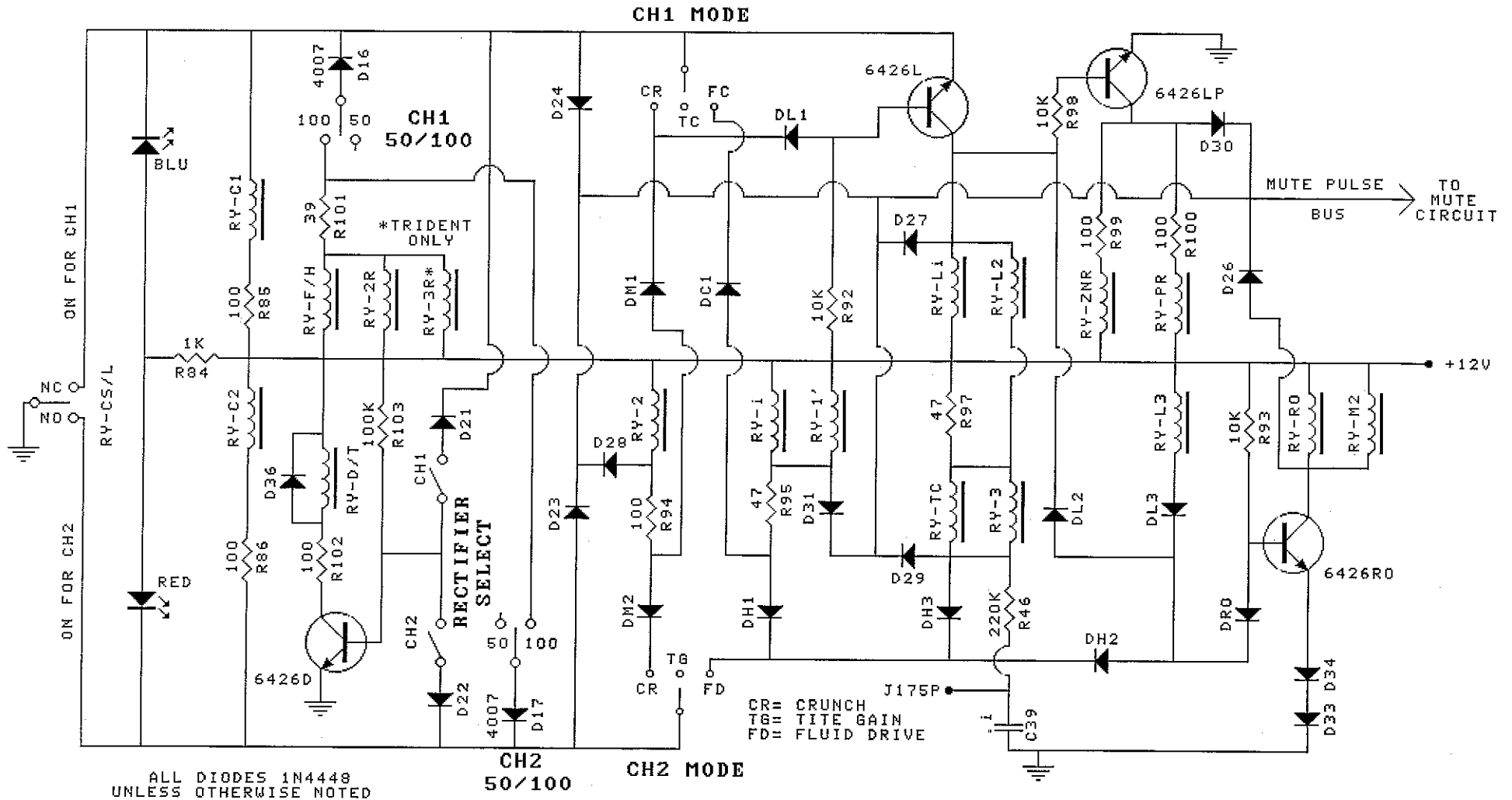
DEUCE #562802
 TRIDENT #562146

MESA/BOOGIE STILETTO

SWITCH MATRIX PT1

FILE: STILSW1.501
 DATE: 8/10/2004
 DRAWN BY: JOHN M
 PAGE: 6 OF 7
 BOARD REV: STILETTO 4

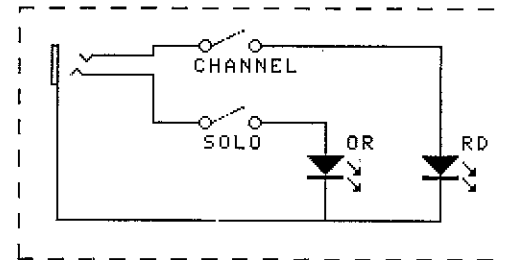
FC= FAT CLEAN
 TC= TITE CLEAN
 CR= CRUNCH



MESA/BOOGIE STILETTO

SWITCH MATRIX PT2

FILE: STILSU1.501
 DATE: 8/10/2004
 DRAWN BY: JOHN M
 PAGE: 7 OF 7
 BOARD REV: STILETTO 4



FOOTSWITCH

