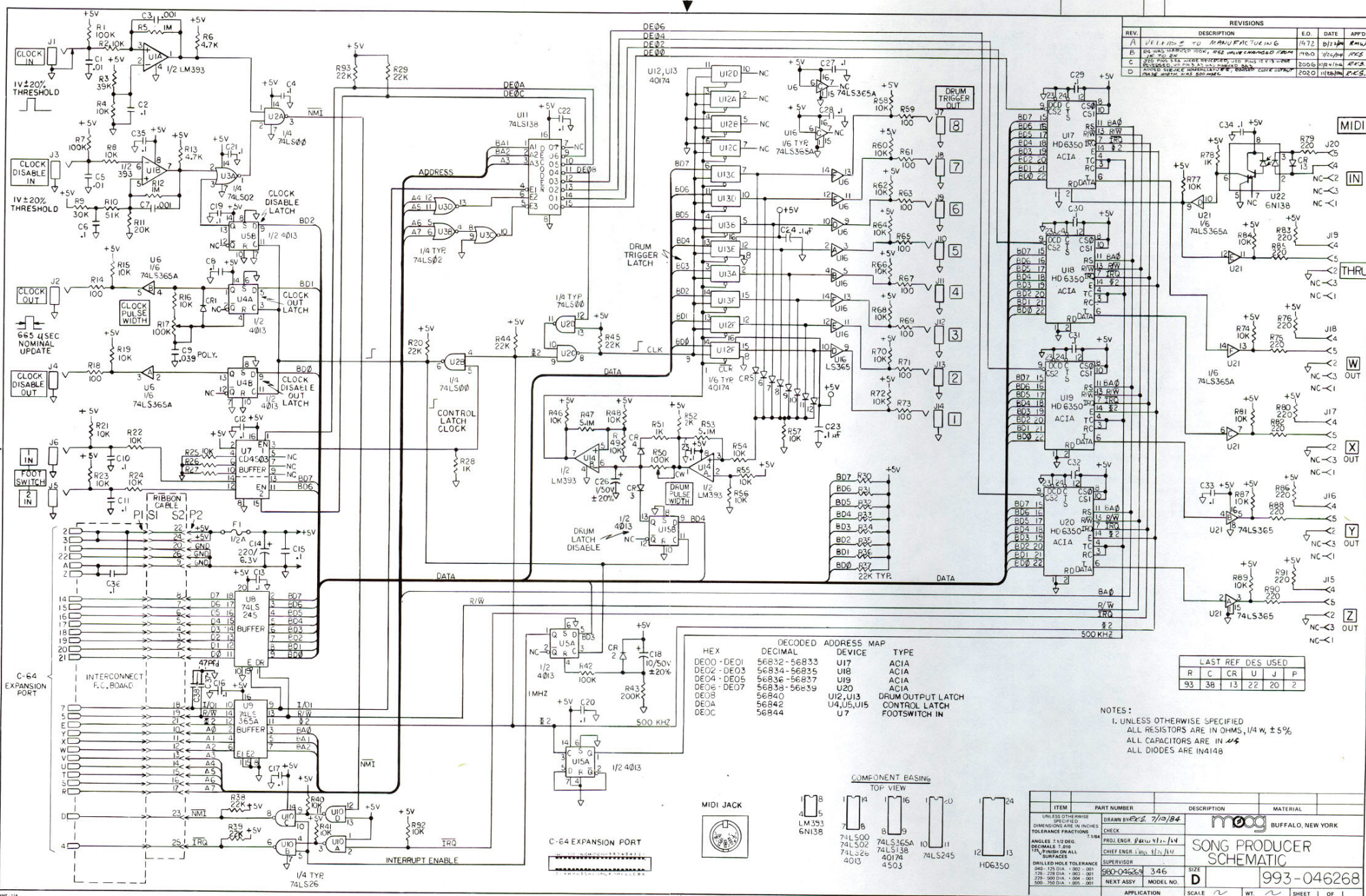


# SCHEMATIC

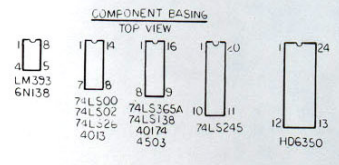


REV.	DESCRIPTION	E.O.	DATE	APP'D
A	REVISED TO MANUFACTURING		1/72	EMU
B	REVISED TO MANUFACTURING		1/80	EMU
C	REVISED TO MANUFACTURING		2/06	EMU
D	REVISED TO MANUFACTURING		2/20	EMU

HEX	DECIMAL	DEVICE	TYPE
DE00 - DE01	56832 - 56833	U17	ACIA
DE02 - DE03	56834 - 56835	U18	ACIA
DE04 - DE05	56836 - 56837	U19	ACIA
DE06 - DE07	56838 - 56839	U20	ACIA
DE08	56840	U12, U13	DRUM OUTPUT LATCH
DE0A	56842	U4, U5, U15	CONTROL LATCH
DE0C	56844	U7	FOOTSWITCH IN

LAST REF DES USED					
R	C	CR	U	J	P
93	38	13	22	20	2

NOTES:  
 1. UNLESS OTHERWISE SPECIFIED  
 ALL RESISTORS ARE IN OHMS, 1/4 W, ±5%  
 ALL CAPACITORS ARE IN μF  
 ALL DIODES ARE IN4148



ITEM	PART NUMBER	DESCRIPTION	MATERIAL
UNLESS OTHERWISE SPECIFIED DIMENSIONS ARE IN INCHES TOLERANCE FRACTIONS CHECK PROL ENG. 1/10/84			
DRAWN BY: R.L. 7/10/84			
ANGLES 1/16, 1/32, 1/64			
DECIMALS ±.010			
1% FINISH ON ALL SURFACES			
SUPERVISOR			
993-046268-346			
NEXT ASSY MODEL NO.			
APPLICATION SCALE WT. SHEET 1 OF 1			

SONG PRODUCER  
 SCHEMATIC  
 993-046268