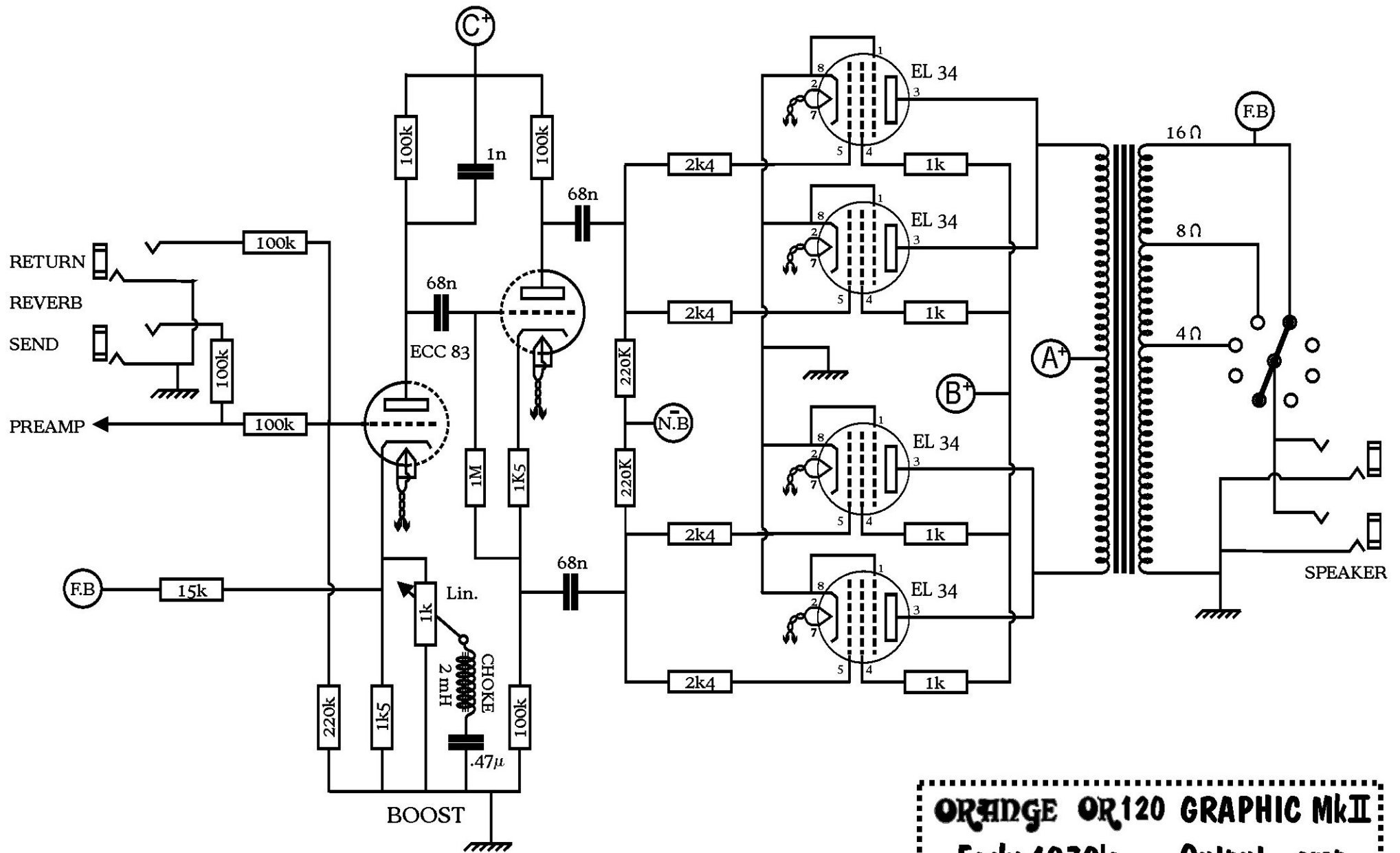
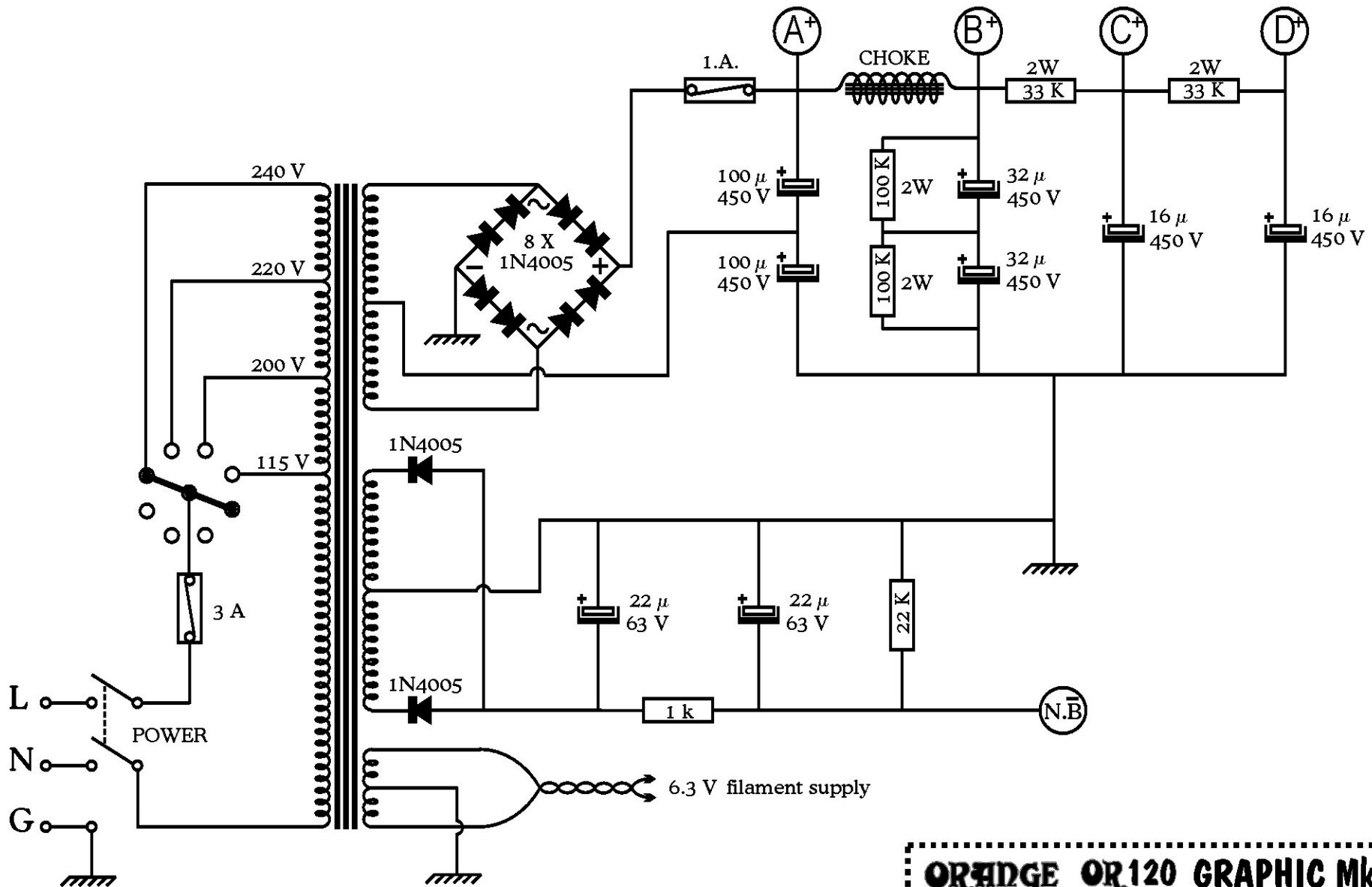


Comments:  
 Input jacks are drawn as on the schematics from 1972. -Wrong I guess.  
 Changes will be made when I know the correct wiring.  
 FAC is drawn as from the switching side not the wiring side - I guess.

**ORANGE OR120 GRAPHIC MkII**  
**Early 1970's Preamp**  
 Schematics from *J. Jones* 1972 Drawn by B.Hickmott 2004



**ORANGE OR120 GRAPHIC MkII**  
**Early 1970's Output - amp**  
 Schematics from *Jones* 1972 Drawn by B.Hickmott 2004



Comments : No lamp is drawn in on the original schematics.  
 I will add one here when I am informed of its correct wiring.  
 The missing ground on the negative bias has been added..

**ORANGE OR120 GRAPHIC MkII**  
**Early 1970's Power Supply**  
 Schematics from *Offocus* 1972 Drawn by B.Hickmott 2004