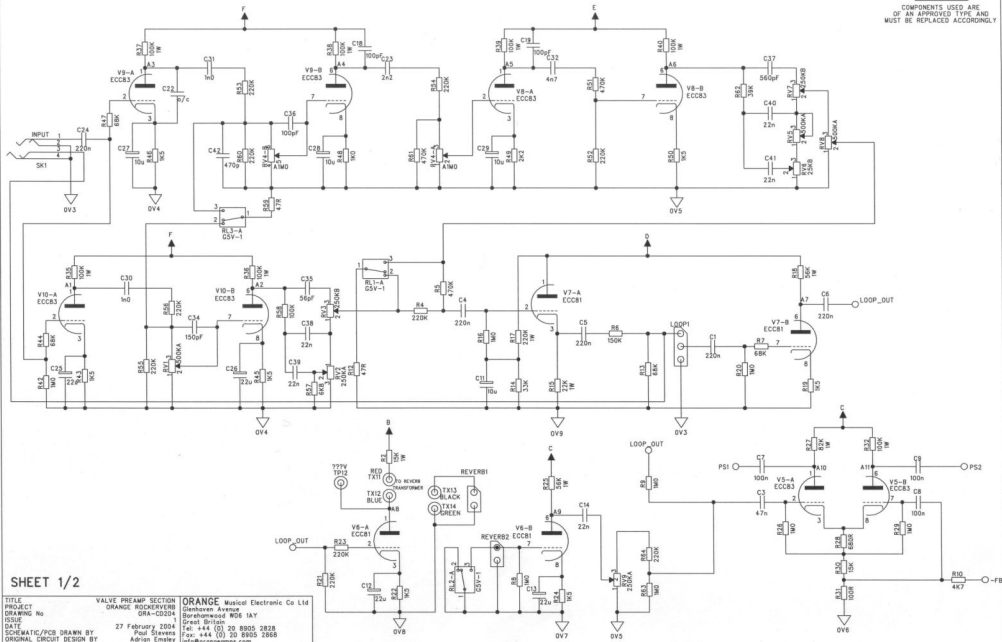


ORANGE ROCKERVERB - MAIN PREAMP PCB

PREAMP 1 & 2, LOOP, REVERB & PHASE SPLITTER

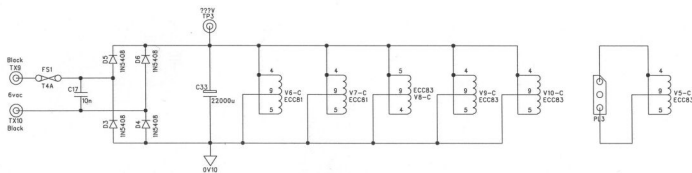
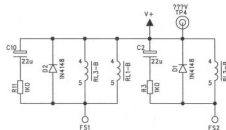
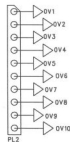
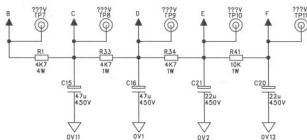
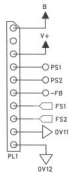


SHEET 1/2

TITLE VALVE PREAMP SECTION
 PROJECT ORANGE ROCKERVERB
 DRAWING No. ORA-CD204
 ISSUE 1
 DATE 27 February 2004
 SCHEMATIC/PCB DRAWN BY Paul Stevens
 ORIGINAL CIRCUIT DESIGN BY Adrian Emley

ORANGE Musical Electronic Co Ltd
 Danbyson Avenue
 Borehamwood W06 1AY
 Great Britain
 Tel: +44 (0) 20 8905 2828
 Fax: +44 (0) 20 8905 2868
 info@orangeempa.com

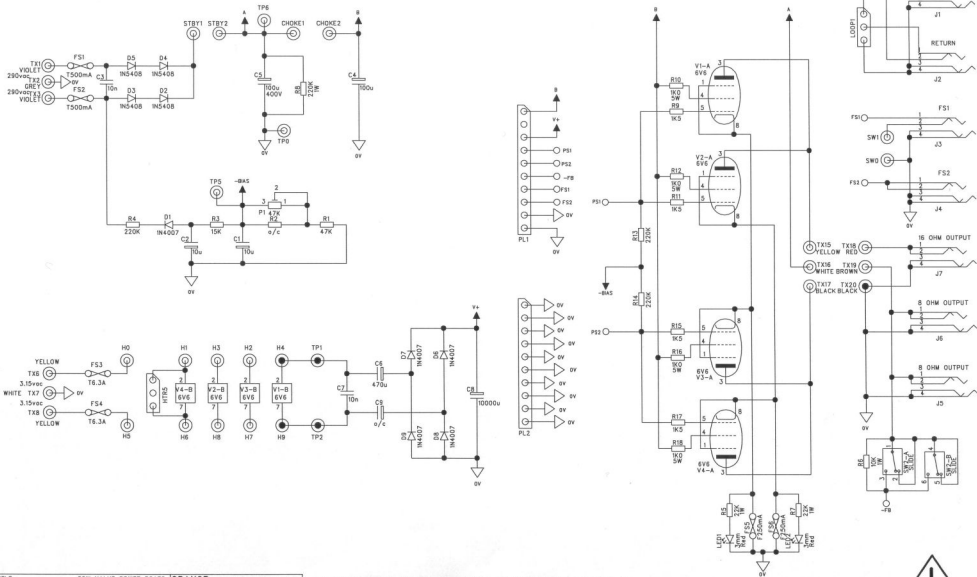

 COMPONENTS USED ARE
 OF AN APPROVED TYPE AND
 MUST BE REPLACED ACCORDINGLY



SHEET 2/2

TITLE	SUPPLIES, HEATERS, RELAYS	ORANGE Musical Electronic Co Ltd
PROJECT	ORANGE ROCKERVERB	Greenwich Avenue
DRAWING No	ORA-CD204	Borehamwood WD6 1AY
ISSUE	1	Great Britain
DATE	27 February 2004	Tel: +44 (0) 20 8605 2828
SCHEMATIC/PCB DRAWN BY	Paul Stevens	Fax: +44 (0) 20 8905 2868
ORIGINAL CIRCUIT DESIGN BY	Adrian Emley	info@orange-cd.com

ORANGE ROCKERVERB 50W POWER BOARD



TITLE: 50W VALVE POWER BOARD
 PROJECT: ORANGE ROCKERVERB
 DRAWING No: ORA-CD206
 ISSUE: 1.1
 DATE: 10 March 2004
 DRAWN BY: Paul Stevens
 ORIGINAL CIRCUIT DESIGN BY: Adrian Emmsley

ORANGE Musical Electronic Co Ltd
 Greenham Avenue
 Borehamwood W06 1AY
 Great Britain
 Tel: 44 (0) 20 8905 2828
 Fax: 44 (0) 20 8905 2868
 info@orangeelectron.com

ALL TEST POINT VOLTAGES ARE DC WITH RESPECT TO TPO 0V
 EXCEPT WHERE OTHERWISE INDICATED. BIAS SET FULLY ANTI-CW
 TOLERANCE +/- 10%


 COMPONENTS USED ARE
 OF AN APPROVED TYPE AND
 MUST BE REPLACED ACCORDINGLY