

A-70

EXPANDABLE CONTROLLER

SERVICE NOTES

First Edition

Issued by RES

TABLE OF CONTENTS

	Page
SPECIFICATIONS	1
DISASSEMBLY	1
LOCATION OF CONTROLS & REAR VIEW	2
EXPLODED VIEW N.1	3
EXPLODED VIEW N.2	4
KEYBOARD PARTS LIST	4
BLOCK DIAGRAM	5
MAIN PCB ASSY	6
CIRCUIT DIAGRAM (MAIN PCB ASSY)	7
PRIMARY PCB ASSY & CIRCUIT DIAGRAM	8
LEFT CONTROL PCB ASSY	8
CIRCUIT DIAGRAM (LEFT CONTROL PCB ASSY)	9
AFT PCB ASSY & CIRCUIT DIAGRAM	10
RIGHT CONTROL PCB ASSY	10
CIRCUIT DIAGRAM (RIGHT CONTROL PCB ASSY)	11
POWER PCB ASSY & CIRCUIT DIAGRAM	12
MIDI PCB ASSY	12
CIRCUIT DIAGRAM (MIDI PCB ASSY)	13
RIGHT CONTACT PCB ASSY w/RUBBER CONTACT & CIRCUIT DIAGRAM	14
LEFT CONTACT PCB ASSY w/RUBBER CONTACT & CIRCUIT DIAGRAM	14
TEST MODE	15/20
PARTS LIST	20/21
TRANSLATION FROM ENGLISH INTO JAPANESE	22/27



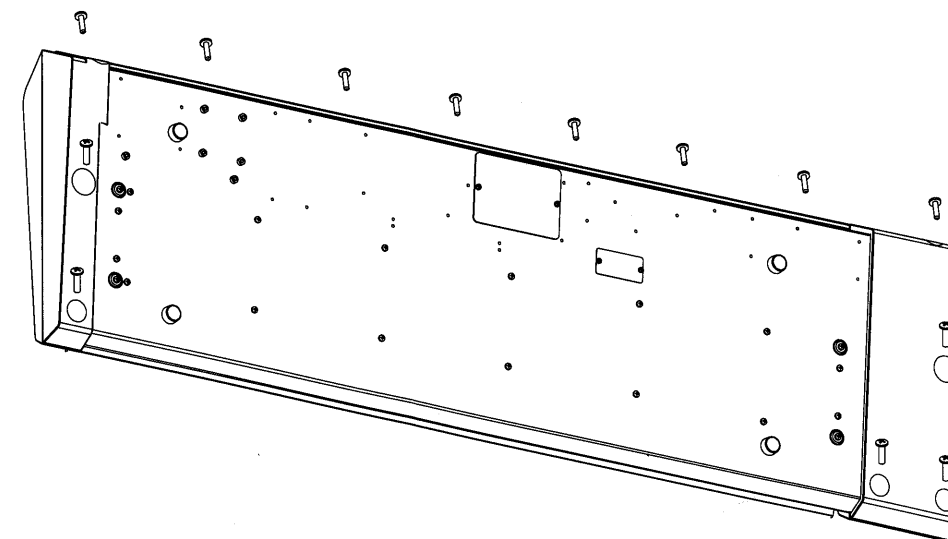
SPECIFICATIONS

A-70/A-70EX : Expandable controller

A-70EX Sound Section (VE-RD1)

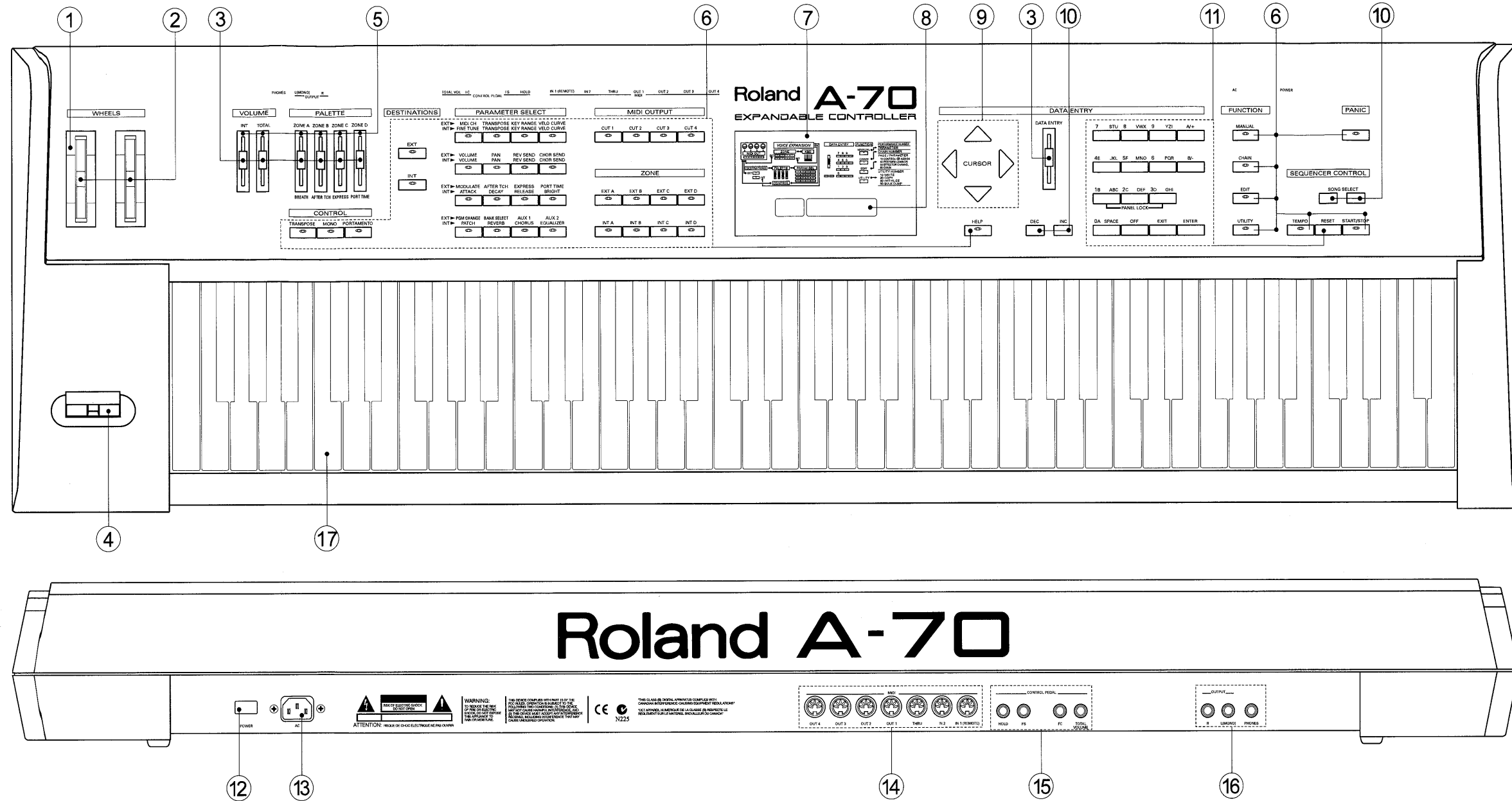
- Sound Generator	PCM synthesis	
- Parts	4 Parts	
- Maximum Polyphony	64 Voices.	
- Effects	Reverb	
	Chorus	
	Equalizer	
	Patches	: 128
- Preset Memory		
A-70/A-70EX Common		
- Keyboard	76 Keys	
- Zones	Internal	: 4
	External	: 4
- Internal Memory	System Setup	: 1
	User Name Maps	: 4
	Preset Name Maps	: 9
	Performances	: 64
	Chains	: 10
	Manual	: 1
- Display	3 Characters (backlit LCD)	
	17 Characters, 2 Lines (backlit LCD)	
- Nominal Output Level	Output	: -7dBm.
- Output Impedance	Output	: 1600 Ohm.
- Recommended Load Impedance	Output	: 10 Kohm or Greater
- Connectors	Midi Connectors (in:2, thru:1, out:4)	
	Foot Controller Jacks:1	
	Switch Jacks:1	
	Total Volume Pedal Jack	
	Hold Pedal Jack	
	Output Jacks [L(Mono), R]	
	Headphone Jack	
	AC Inlet (AC 100V, AC 230V, AC 240V)	
	AC 100V, AC 117V, AC 230V or AC 240V	
- Power Supply	15W (AC 100V), 17W (AC 117V)	
- Power Consumption	20W (AC 230V), 20W (AC 240V)	
	1245(W) X 357 (D) X 136 (H) mm	
- Dimensions		
- Weight	16 Kg	
- Accessories	Pedal Switch:DP-2	(7710610000)
	Owner's Manual (E)	(K6018288)
	Owner's Manual (J)	(K6018291)
	Midi Guide	(K6018109)
	Midi Implementation Manual	(K6018292)
	△ MAINS CABLE H05VV+POL.SOCKET 230V	(J3439150)
	△ CABLE 49B/35JT 2X18 AWG-C17 117V	(J3439128)
	△ MAINS CABLE DC 545 J03 100V	(13499108)
	△ CABLE BS/13/H05VV-F3G 0.75-V 230VE	(13499152RI)
	△ CABLE SAA/3-OA3CCFC 3X0.75-V 240VA	(13499150RI)
- Options	Stereo Headphone	: RH-20/80/120:
	Pedal Switch	: DP-2/6, BOSS FS 5U
	Expression pedal	: EV-5
	Connecting Cable	: PJ-1M, PCS-100PW
	MIDI/SYNC cable	: MSC-15/25/50
	Voice Expansion board	: VE series

DISASSEMBLY



SEL TAP. SCREW 3,5x16 TCTCPRBZ J2289131

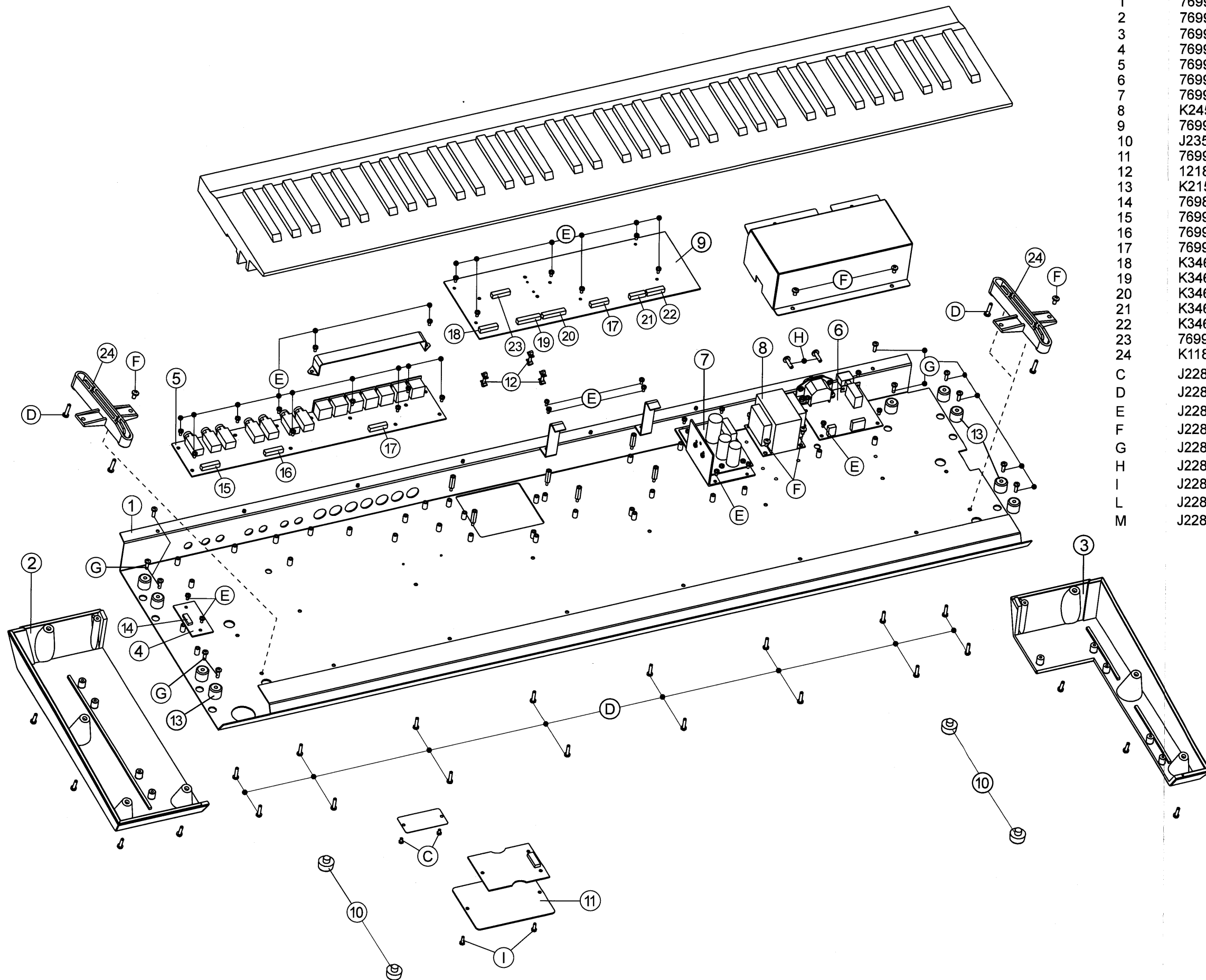
LOCATION OF CONTROLS & REAR VIEW



PART LIST

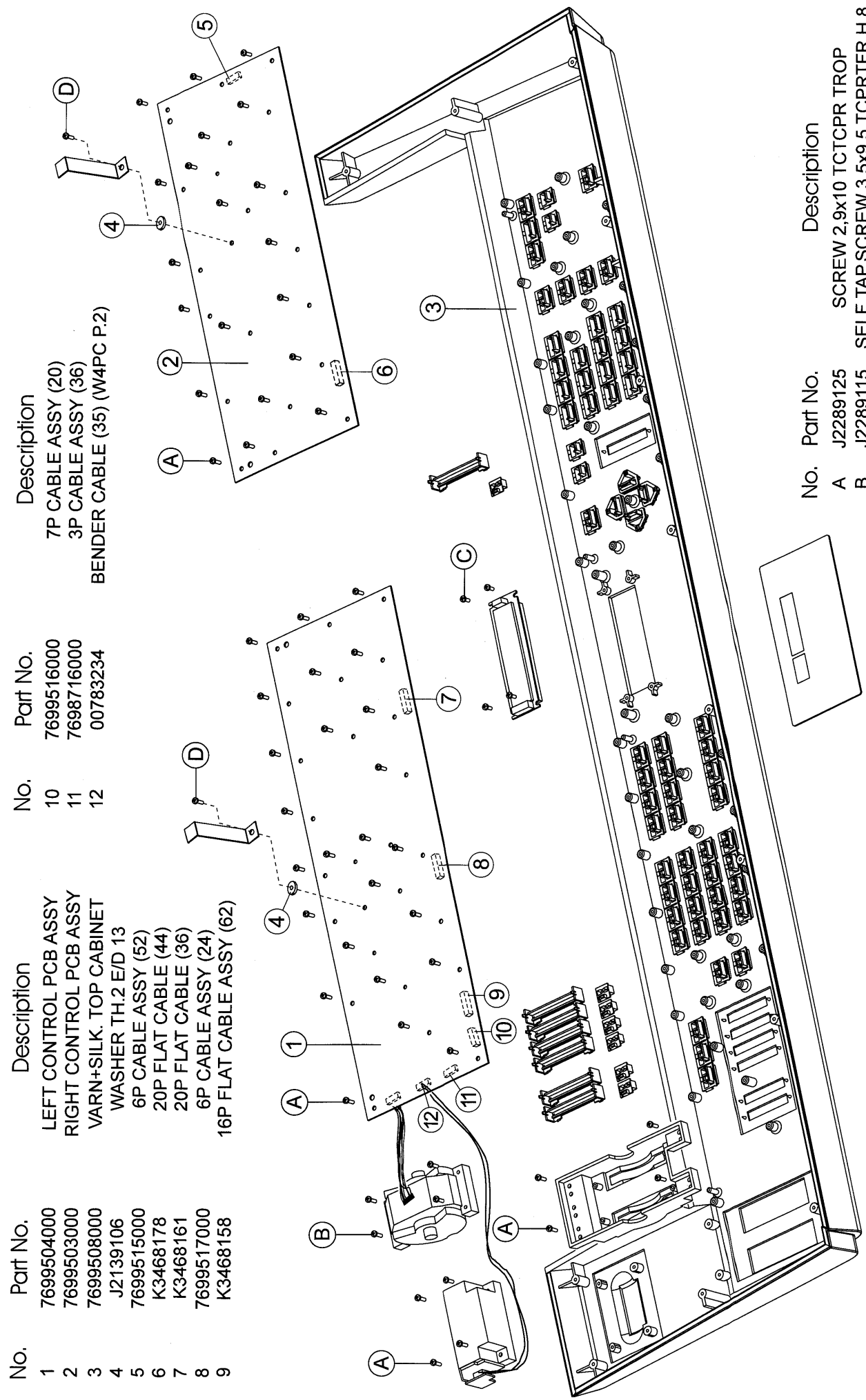
No.	Part No.	Description	No.	Part No.	Description
1	23275893	WHEEL BW-A0000 327-893 W/CABLES	13	J3449103	UNIVERSAL AC INLET ON PCB
2	00788990	WHEEL CAP	14	13429664RI	DIN SOCKET MG/PR 5L
3	22485253	BLACK CAP F/POT	15	13449125	JACK SOCKET HLJ0520-01-110
4	70564101	TURBOLESS PITCH BENDER PBH0201	16	13449126	JACK SOCKET HLJ0520-01-010
5	22205543	GUIDE F/4 POTENTIOMETERS	17	7699510000	76-K. WEIGHTED KEYBOARD TP/8S-AT
6	K2478200	BUTTON GROUP 22X8+DIFF. -BLACK-			
7	K2238119	SILKSCREENED PLEXIGLASS			
8	7699511000	LCD ASSY			
9	K2478255	TRIANG. BUTTON -BLACK-			
10	K2478203	BUTTON GROUP (4) 15x8 -BLACK-			
11	K2478202	BUTTON GROUP (4) 22x8 -BLACK-			
12	22488183	POWER SWITCH KNOB N.001-BLACK			
	13129160	SWITCH SDDLBI-TV5			

EXPLODED VIEW N.1



No.	Part No.	Description
1	7699509000	VARN+SILK. BOTTOM CABINET
2	7699521000	VARN. LEFT SIDE PANEL
3	7699520000	VARN. RIGHT SIDE PANEL
4	7699507000	BOUNCE-TO-AFTERTOUCH ASSY
5	7699505000	JACK SOCKET ASSY
6	7699506000	PRIMARY ASSY 230/240V
7	7699502000	POWER SUPPLY PCB ASSY
8	K2458140	POWER TRANSFORMER 100/240V
9	7699501000	MAIN BOARD PCB ASSY
10	J2359105	PRESSURE RUBBER SFF-018
11	7699519000	VARN. COVER F/EXPANSION BOARD
12	12189810	SPRING SPACER F/PCB
13	K2158103	BUSHING H.14 I.D.14 E.D.16
14	7698716000	3P CABLE ASSY (36)
15	7699516000	7P CABLE ASSY (20)
16	7699517000	6P CABLE ASSY (24)
17	7699513000	11P CABLE ASSY (34)
18	K3468158	16P FLAT CABLE ASSY (62)
19	K3468161	20P FLAT CABLE (36)
20	K3468178	20P FLAT CABLE (44)
21	K3468177	16P FLAT CABLE (56)
22	K3468152	20P FLAT CABLE (44)
23	7699514000	8P CABLE ASSY (44)
24	K1188127	SUPPORT F/KEYBOARD ASSY
C	J2289126	SELF TAP.SCREW 2,9x8 TCTCPRBZ
D	J2289131	SELF TAP. SCREW 3,5x16 TCTCPRBZ
E	J2289193	SELF LOCK.SCREW M3x6 TCTC H.6
F	J2289135	SELF LOCK.SCREW M4x7 TCTC T.8
G	J2289186	SCREW 3,5x16 TCPRTFR H.8
H	J2289213	SELF TAP SCREW 3,9x16 TCTC
I	J2289107	SELF LOCK.SCREW M3x6 TCTC H.6
L	J2289108	SELF LOCK.SCREW M3x10 TCTC H.6
M	J2289113	NUT 3MA H.3

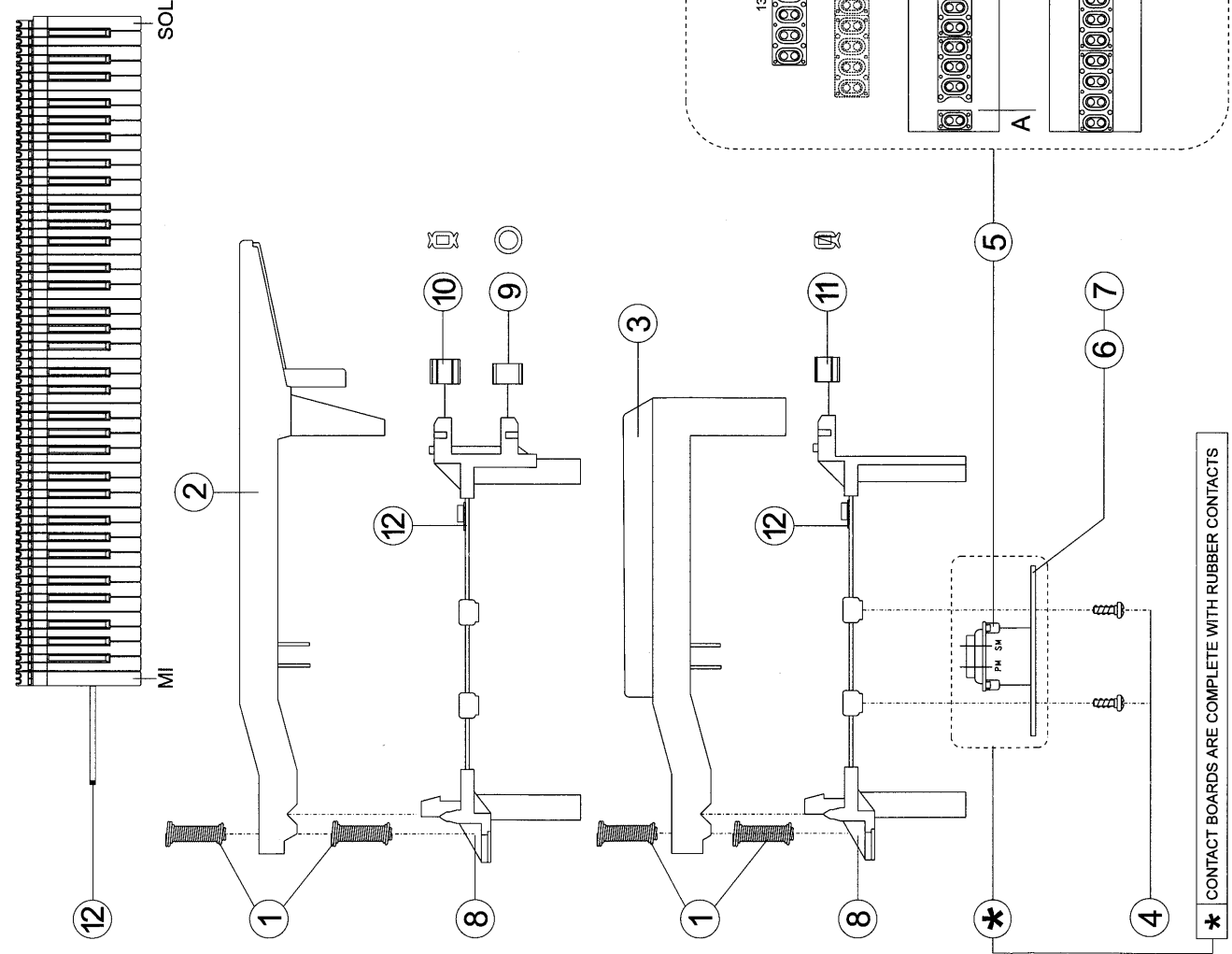
EXPLODED VIEW N. 2



No.	Part No.	Description	No.	Part No.	Description
1	7699504000	RIGHT CONTROL PCB ASSY	10	7699516000	7P CABLE ASSY (20)
2	7699503000	RIGHT CONTROL PCB ASSY	11	7698716000	3P CABLE ASSY (36)
3	7699508000	VARN+SILK. TOP CABINET	12	00783234	BENDER CABLE (35) (W4PC P.2)
4	J2139106	WASHER TH.2 E/D 13			
5	7699515000	6P CABLE ASSY (52)			
6	K3468178	20P FLAT CABLE (44)			
7	K3468161	20P FLAT CABLE (36)			
8	7699517000	6P CABLE ASSY (24)			
9	K3468158	16P FLAT CABLE ASSY (62)			

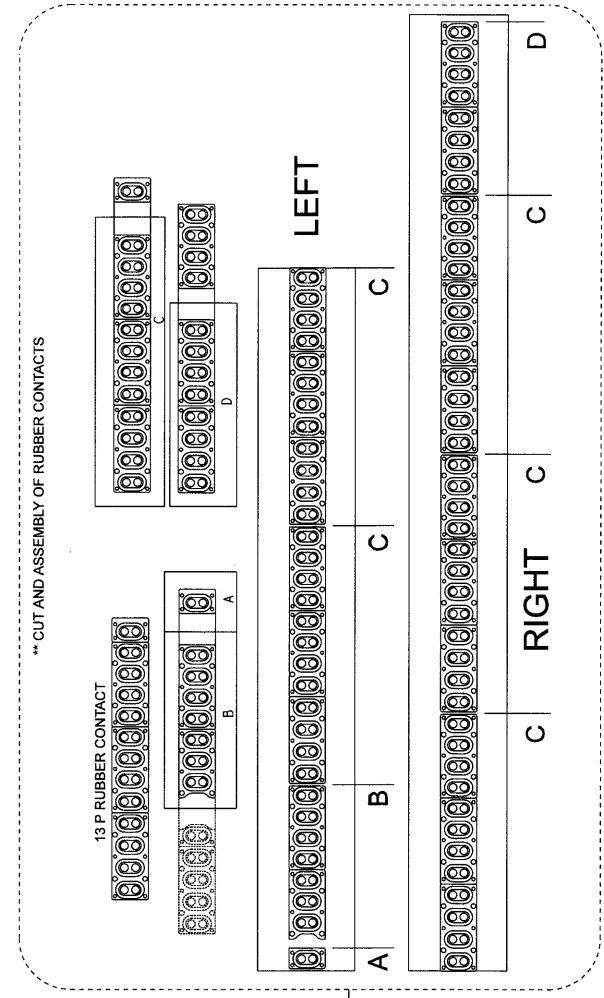
No.	Part No.	Description
A	J2289125	SCREW 2,9x10 TCTCPR TROP
B	J2289115	SELF TAP.SCREW 3,5x9,5 TCPRTFR H.8
C	J2289121	SELF TAP. SCREW 2,2x10 TCTC
D	J2289130	SELF TAP.SCREW 2,9x13 TCTCPRBZ

KEYBOARD PARTS LIST/ 76 KEY KEYBOARD TP/8S-AT (7699510000)



Ref	Description	Code	n.
1	KEY SPRING gr60 or 122	J2179107	76
2	NATURAL KEY C8 (gr20) TP/8S-AT	MI(I)	1
	NATURAL KEY C (gr20) TP/8S-AT	DO	6
	NATURAL KEY D (gr20) TP/8S-AT	RE	6
	NATURAL KEY E (gr20) TP/8S-AT	MI	6
	NATURAL KEY F (gr20) TP/8S-AT	FA	7
	NATURAL KEY G (gr20) TP/8S-AT	SOL	6
3	NATURAL KEY A (gr20) TP/8S-AT	LA	6
	NATURAL KEY B (gr20) TP/8S-AT	SI	6
	NATURAL KEY G2 (gr20) TP/8S-AT	SOL(F)	1
3	SHARP KEY (gr16) TP/8S	J2579180	31
4	SELF TAP SCREW 2,9x8mm TC TC PR BZ	J2289126	42
5	13P RUBBER CONTACT	J3169101	7**
6	LEFT CONTACT PCB ASSY+RUBBER	7695005000	1
7	RIGHT CONTACT PCB ASSY+RUBBER	7695004000	1
8	76-KEY KEYBOARD CHASSIS TP/8S-AT	J2579181	1
9	GUIDE BUSHING INFERIOR	J2359104	45
10	GUIDE BUSHING SUPERIOR FOR NATURAL KEY	J2359109	45
11	GUIDE BUSHING SUPERIOR FOR SHARP KEY	J2359110	31
12	SENSOR AFTER_TOUCH	J3169108	1

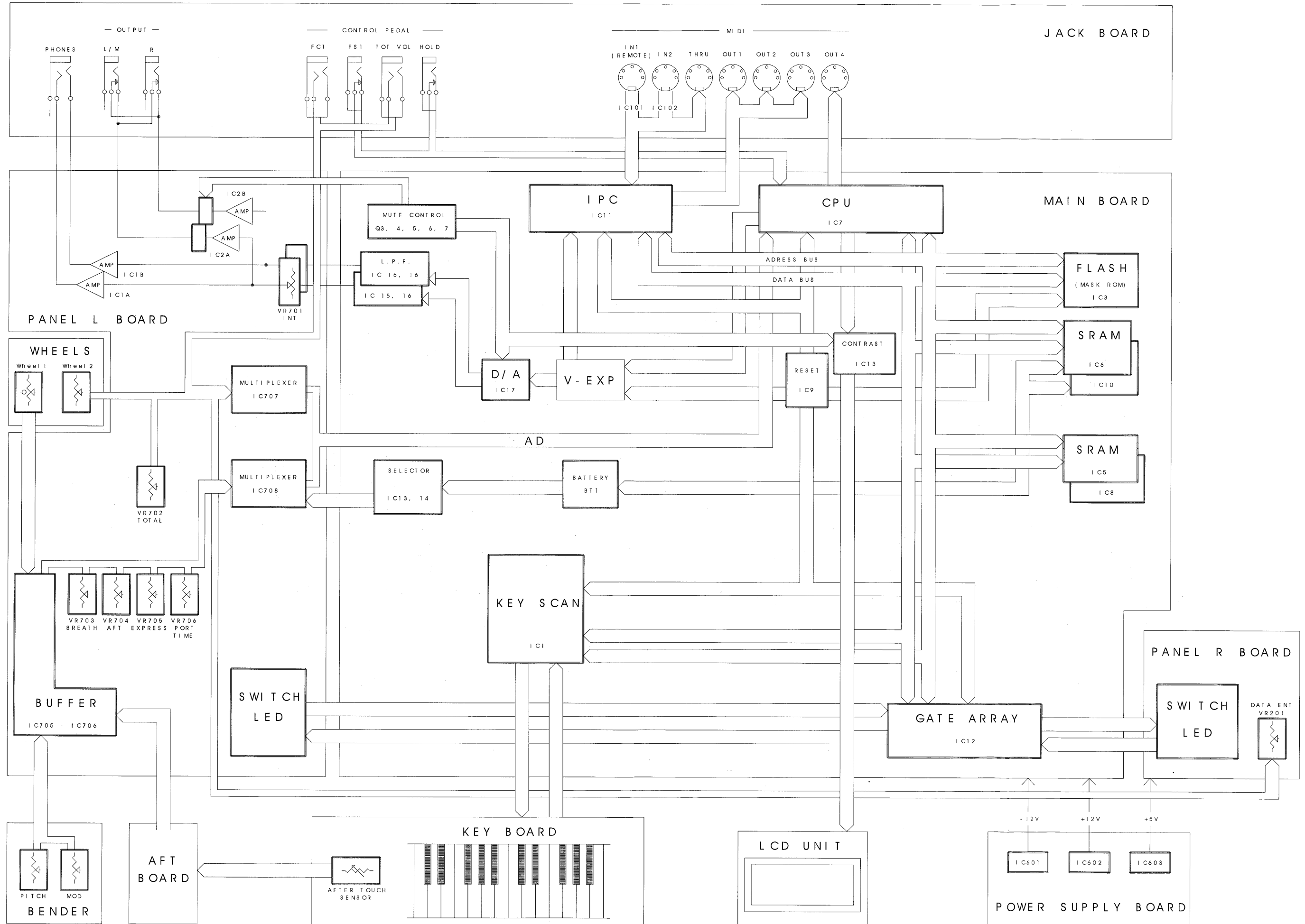
KEYBOARD PARTS LIST



** CUT AND ASSEMBLY OF RUBBER CONTACTS

* CONTACT BOARDS ARE COMPLETE WITH RUBBER CONTACTS

BLOCK DIAGRAM



1 2 3 4 5 6 7 8 9 10 11 12 13 14 15 16 17 18 19 20 21 22 23 24 25 26 27 28 29 30

A
B
C
D
E
F
G
H
I
J
K
L
M
N
O
P
Q
R
S
T
U

MAIN PCB ASSY
ASSY 7699501000

For Nordic Countries

NOTE

When you replace the MAIN BOARD or Lithium battery, You must reperform bender adjustment. Refer to [Bender value setting] item in the test mode.

Apparatus containing Lithium batteries

ADVARSEL!

Lithiumbatteri - Eksplosionsfare ved fejlagtig håndtering. Udskiftning må kun ske med batteri af samme fabrikat og type. Levér det brugte batteri tilbage til leverandøren.

ADVARSEL!

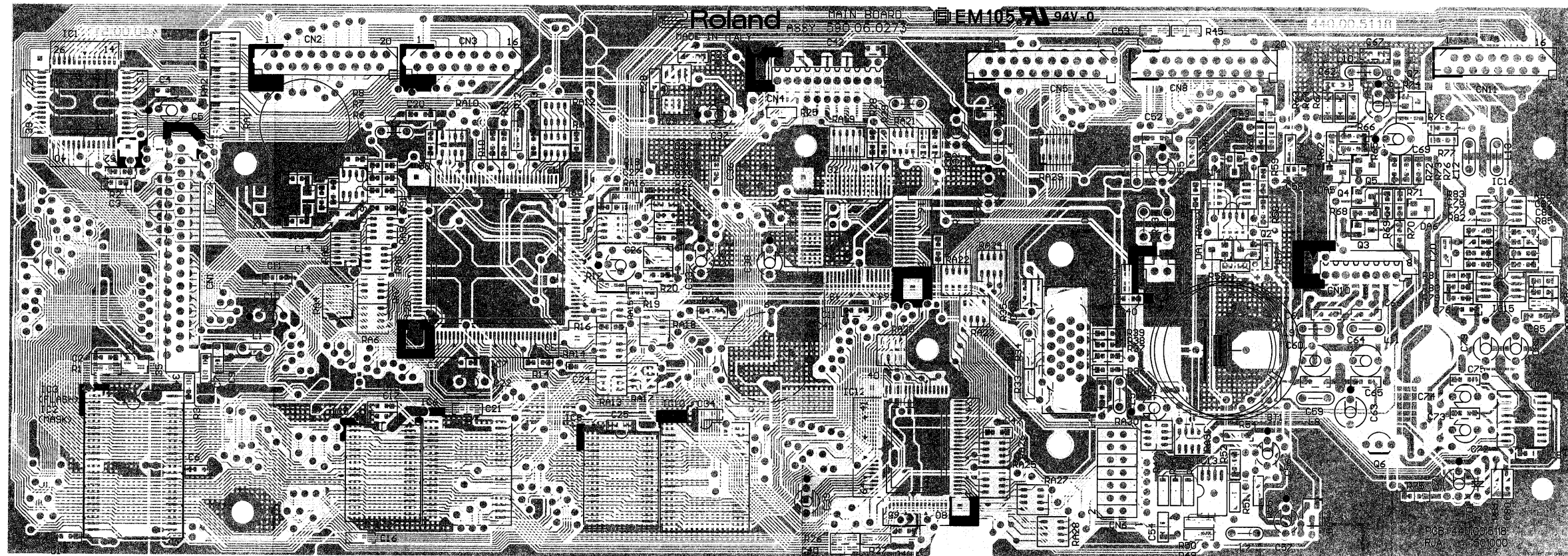
Lithiumbatteri - Eksplosjonsfare. Ved utskifting benyttes kun batteri som anbefalt av apparatfabrikanten. Brukt batteri returneres apparatleverandøren.

VARNING!

Eksplosionsfara vid felaktigt batteribyte. Använd samma batterityp eller en ekvivalent typ som rekommenderas av apparattillverkaren. Kassera använt batteri enligt fabrikantens instruktion.

VAROITUS!

Paristo voi räjähtää, jos se on virheellisesti asennettu. Vaihda paristo ainoastaan laitevalmistajan suosittelemaan tyyppiin. Hävitä käytetty paristo valmistajan ohjeiden mukaisesti.

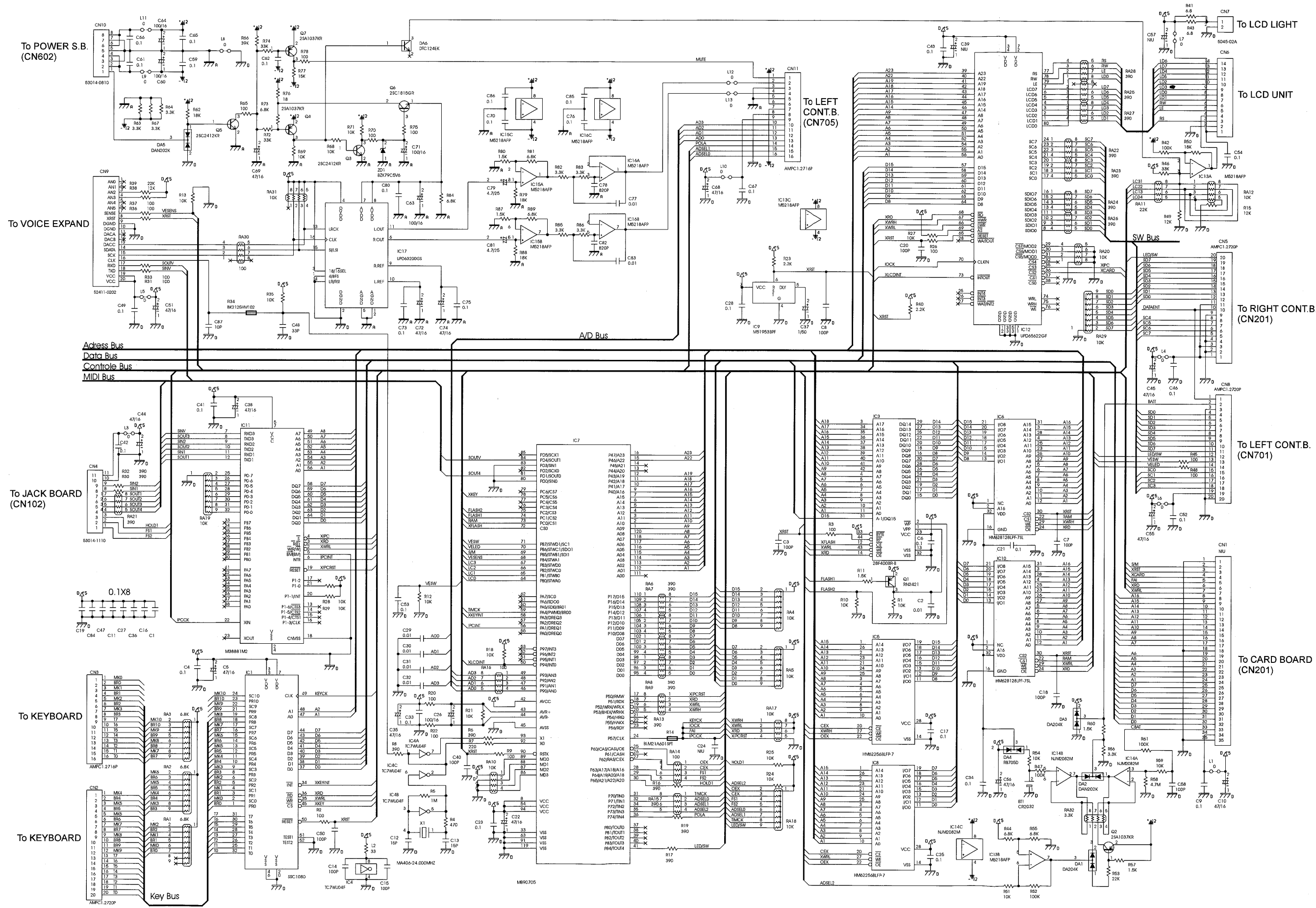


View from component side

1 2 3 4 5 6 7 8 9 10 11 12 13 14 15 16 17 18 19 20 21 22 23 24 25 26 27 28 29 30

A
B
C
D
E
F
G
H
I
J
K
L
M
N
O
P
Q
R
S
T
U

MAIN PCB ASSY CIRCUIT DIAGRAM



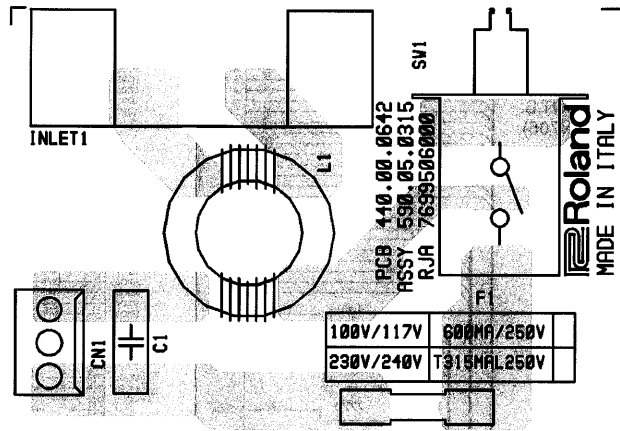
1 2 3 4 5 6 7 8 9 10 11 12 13 14 15 16 17 18 19 20 21 22 23 24 25 26 27 28 29 30

A
B
C
D
E
F
G
H
I
J
K
L
M
N
O
P
Q
R
S
T
U

PRIMARY PCB ASSY & CIRCUIT DIAGRAM

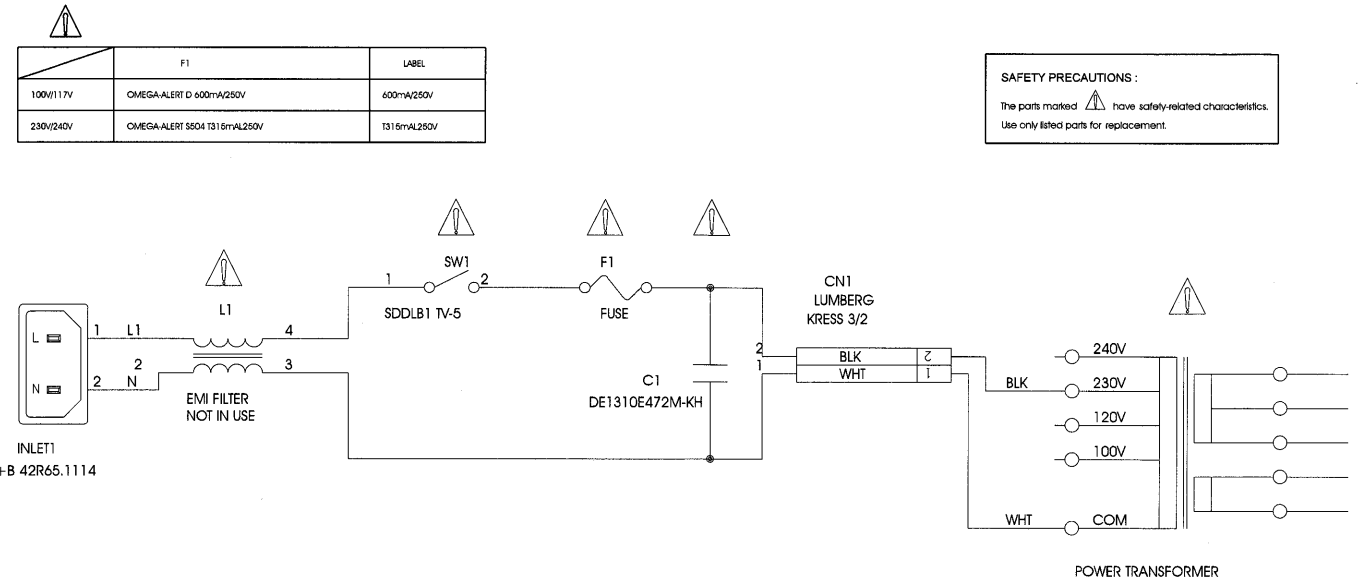
ASSY 7699506000 230V/240V

ASSY 7699512000 100V/117V

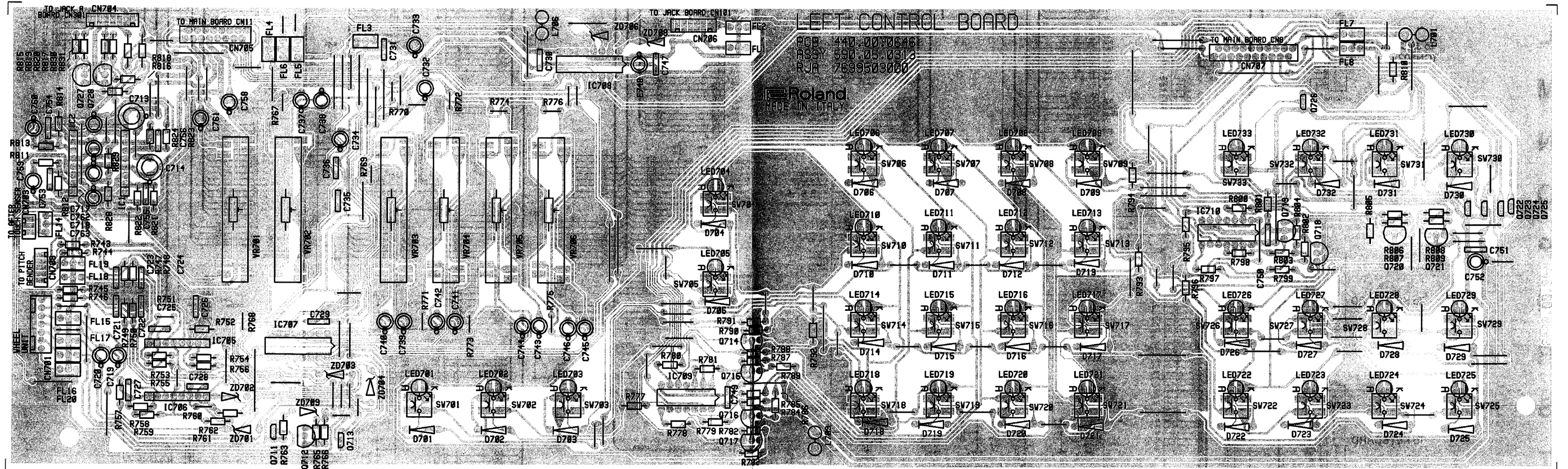


PRIMARY BOARD

View from component side



LEFT PCB ASSY ASSY 7699504000

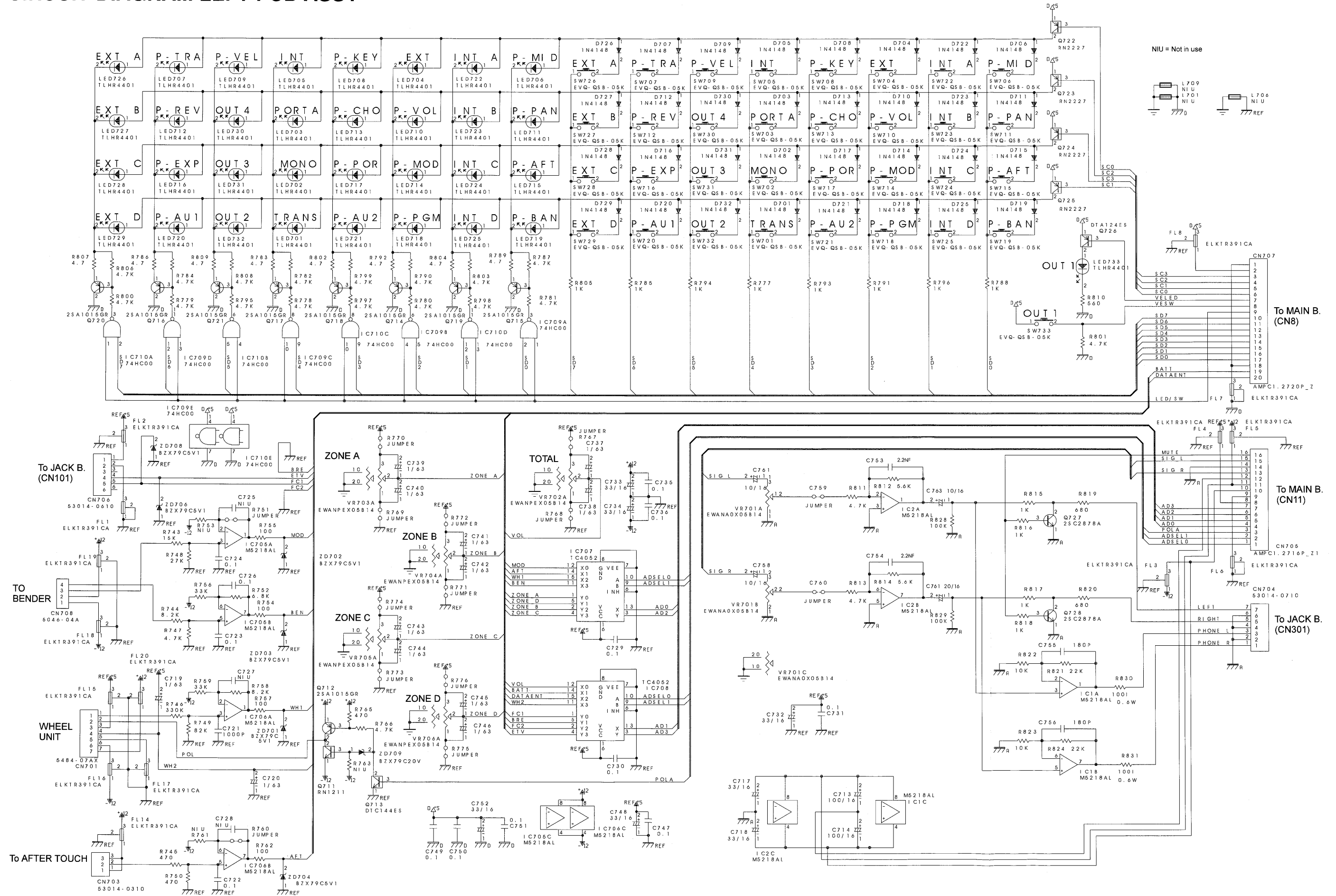


View from component side

1 2 3 4 5 6 7 8 9 10 11 12 13 14 15 16 17 18 19 20 21 22 23 24 25 26 27 28 29 30

A
B
C
D
E
F
G
H
I
J
K
L
M
N
O
P
Q
R
S
T
U

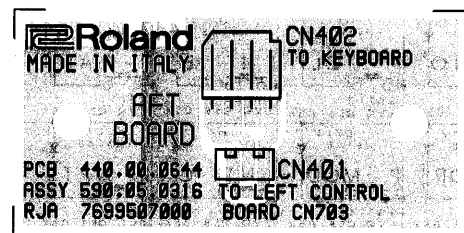
CIRCUIT DIAGRAM LEFT PCB ASSY



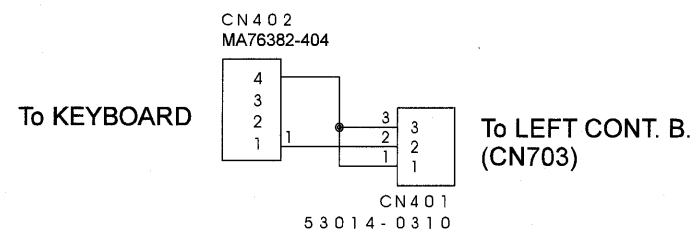
1 2 3 4 5 6 7 8 9 10 11 12 13 14 15 16 17 18 19 20 21 22 23 24 25 26 27 28 29 30

A
B
C
D
E
F
G
H
I
J
K
L
M
N
O
P
Q
R
S
T
U

AFT PCB ASSY & CIRCUIT DIAGRAM. ASSY 7699507000

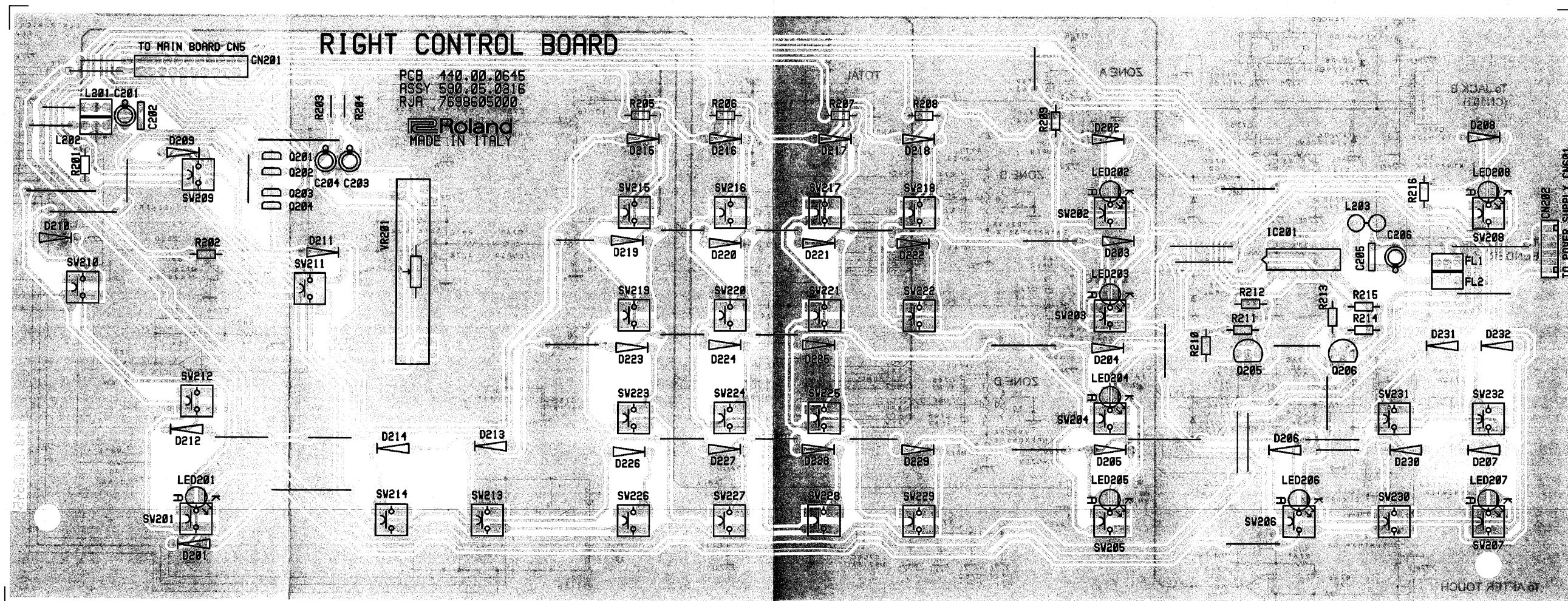


View from component side



RIGHT PCB ASSY ASSY 7699503000

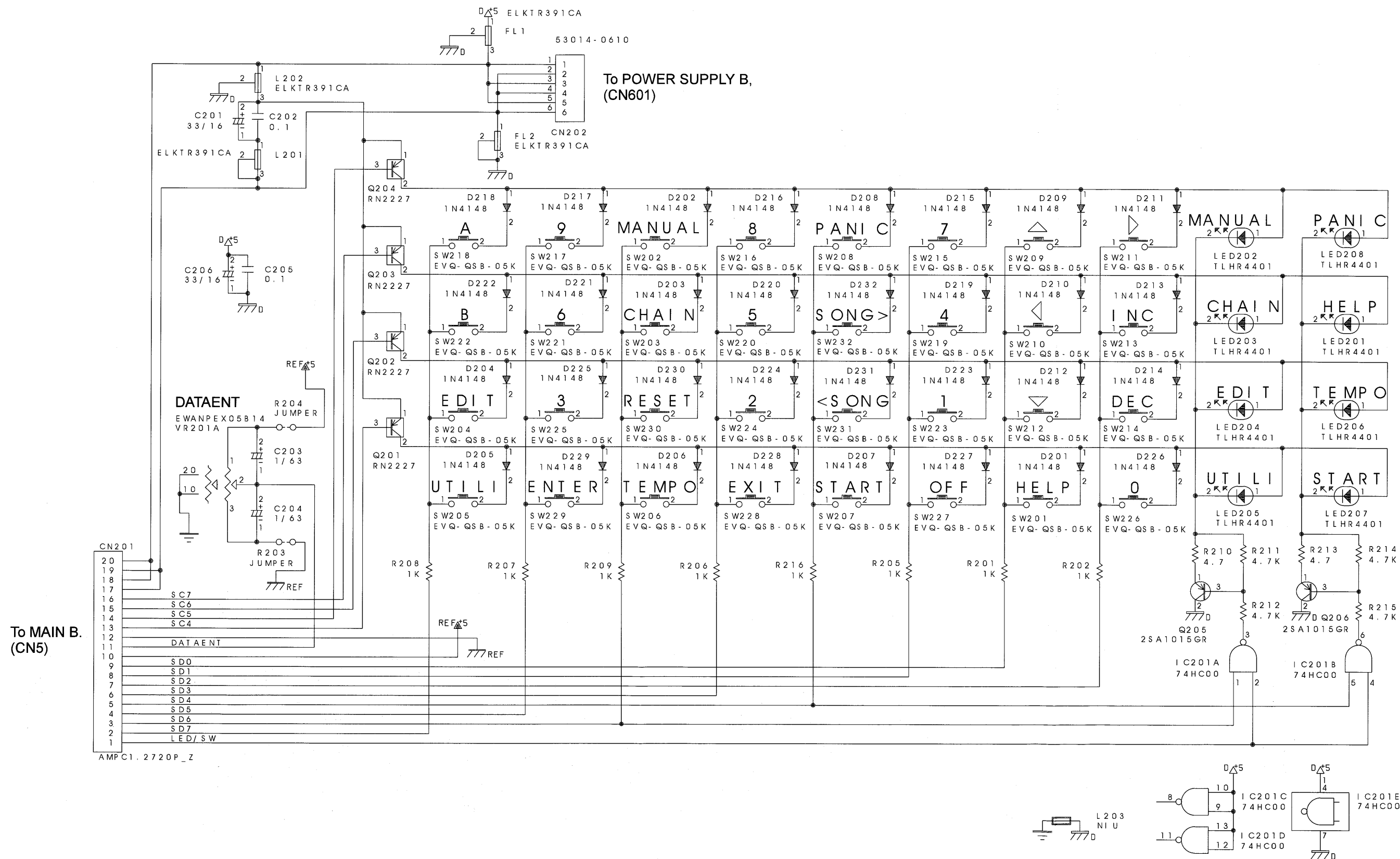
View from component side



1 2 3 4 5 6 7 8 9 10 11 12 13 14 15 16 17 18 19 20 21 22 23 24 25 26 27 28 29 30

A
B
C
D
E
F
G
H
I
J
K
L
M
N
O
P
Q
R
S
T
U

CIRCUIT DIAGRAM RIGHT PCB ASSY



To MAIN B.
(CN5)

To POWER SUPPLY B,
(CN601)

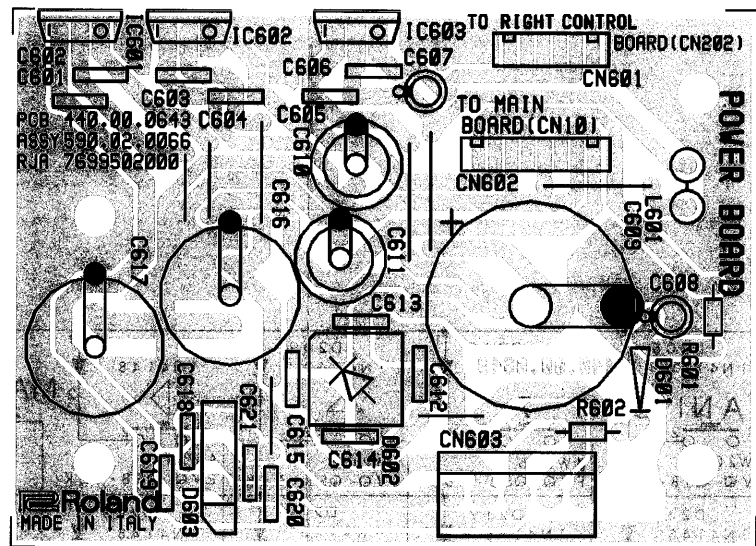
AMP C1. 2720P_Z

1 2 3 4 5 6 7 8 9 10 11 12 13 14 15 16 17 18 19 20 21 22 23 24 25 26 27 28 29 30

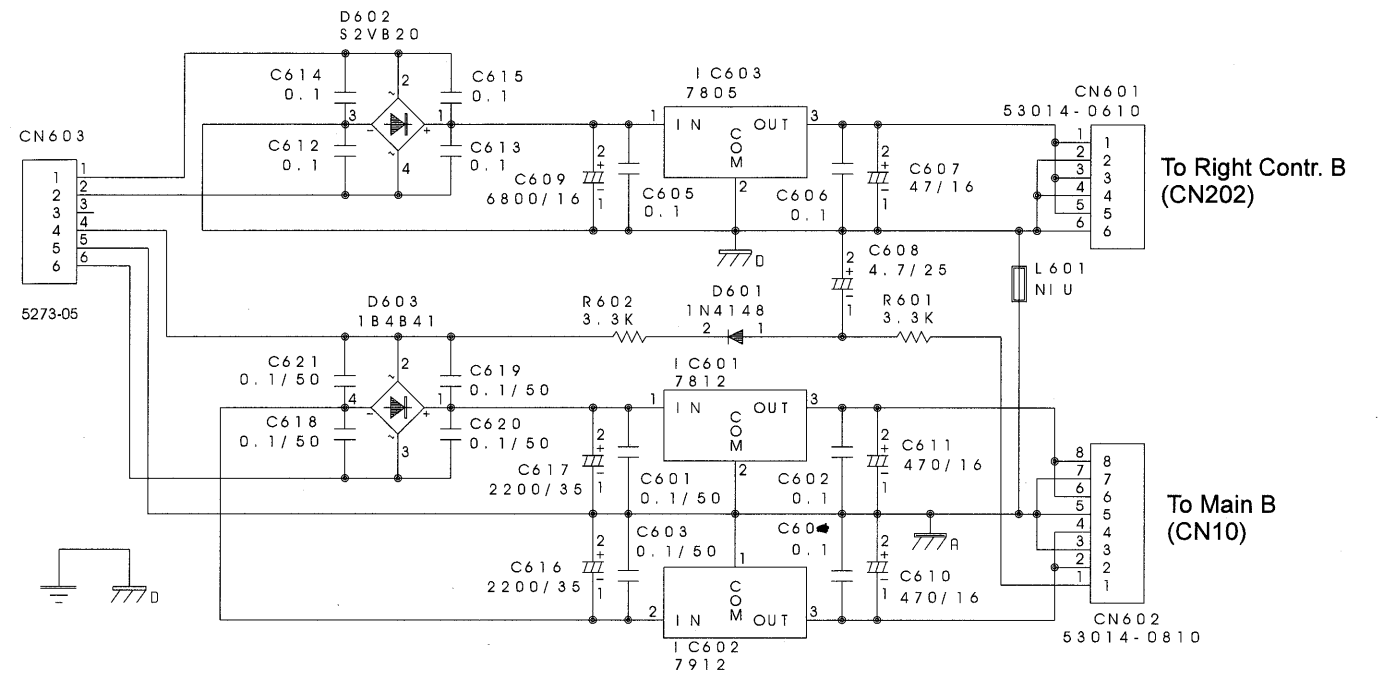
A
B
C
D
E
F
G
H
I
J
K
L
M
N
O
P
Q
R
S
T
U

POWER PCB ASSY & CIRCUIT DIAGRAM

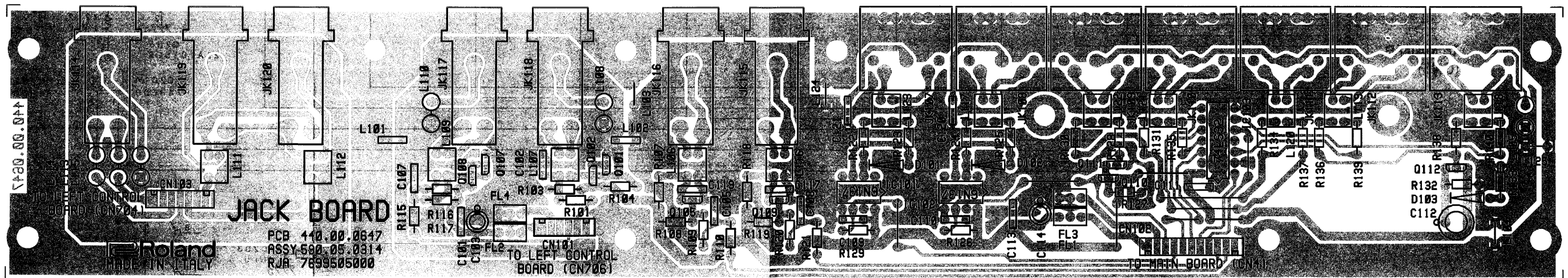
ASSY 7699502000



View from component side



JACK PCB ASSY ASSY 7699505000

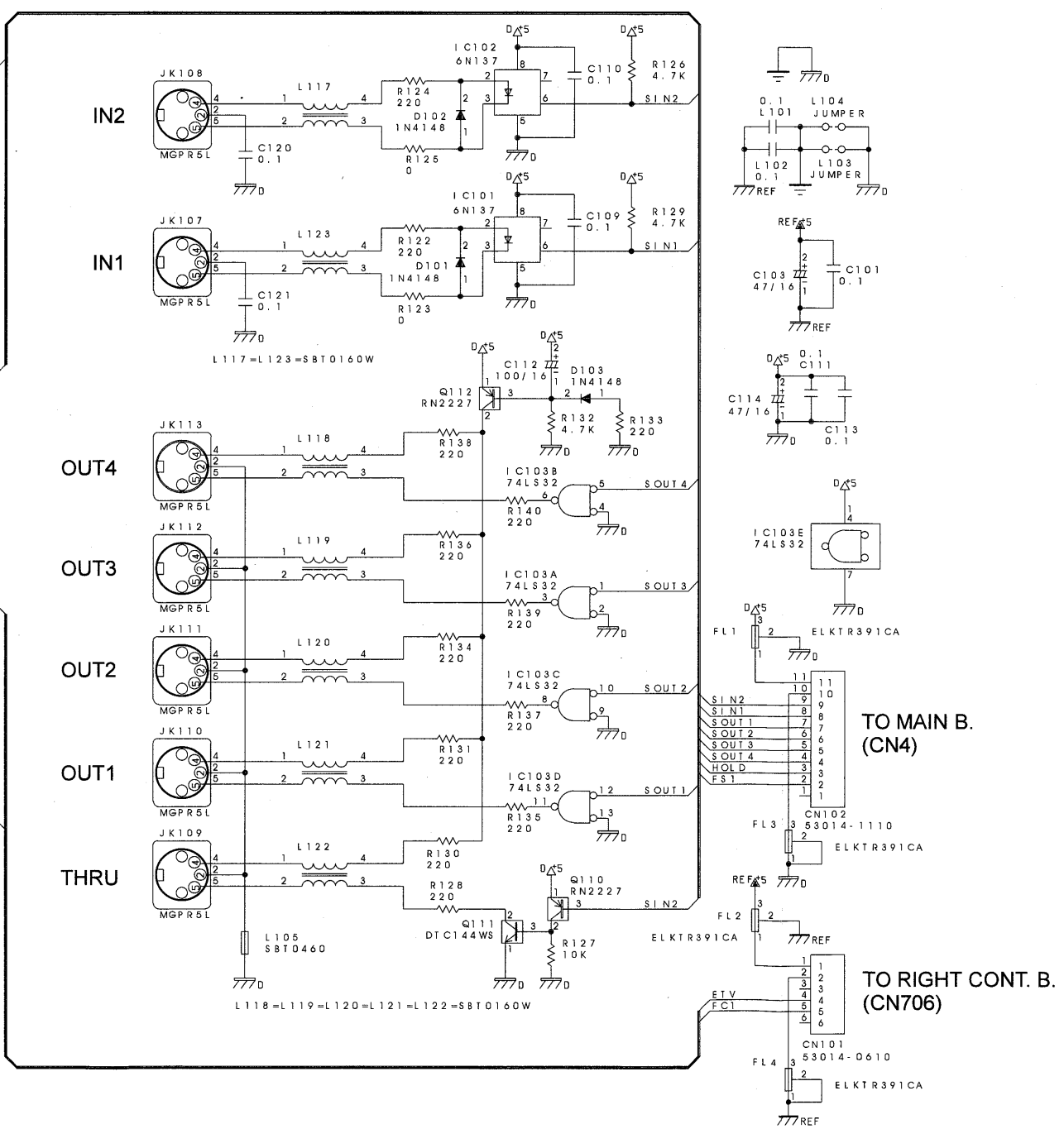
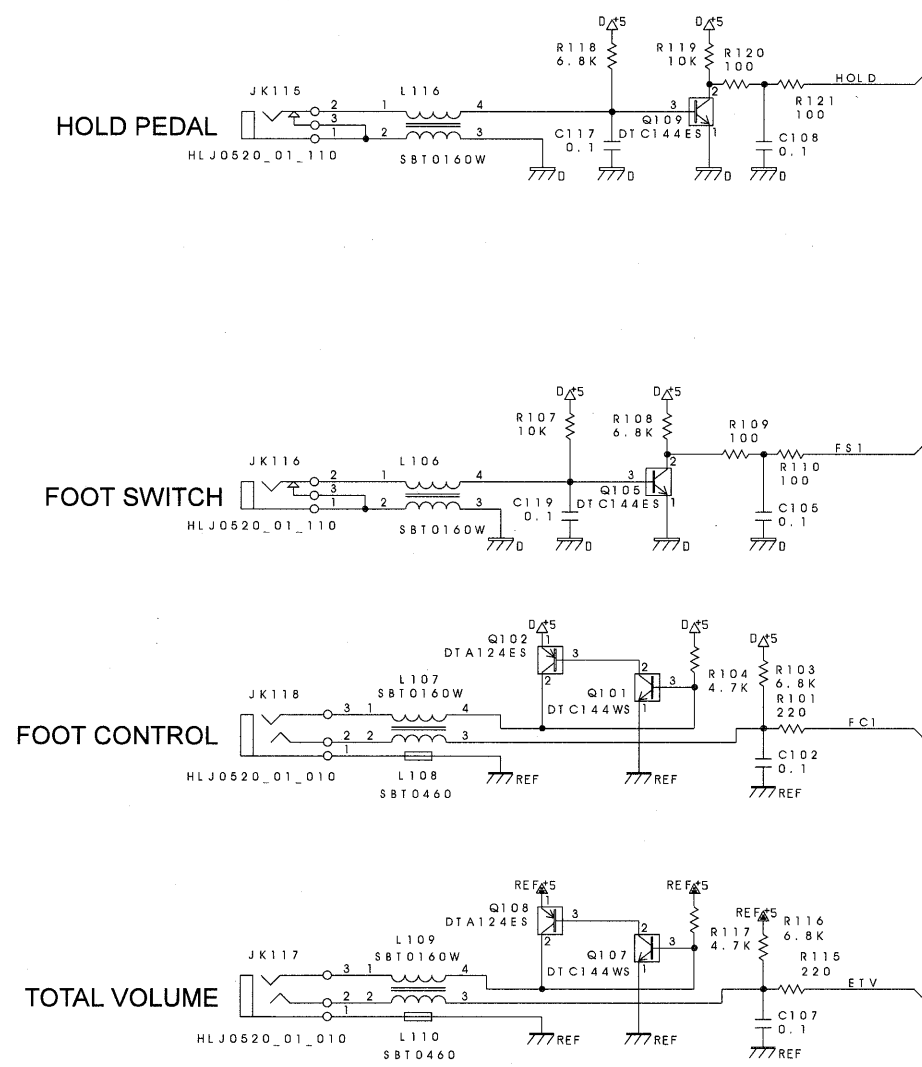
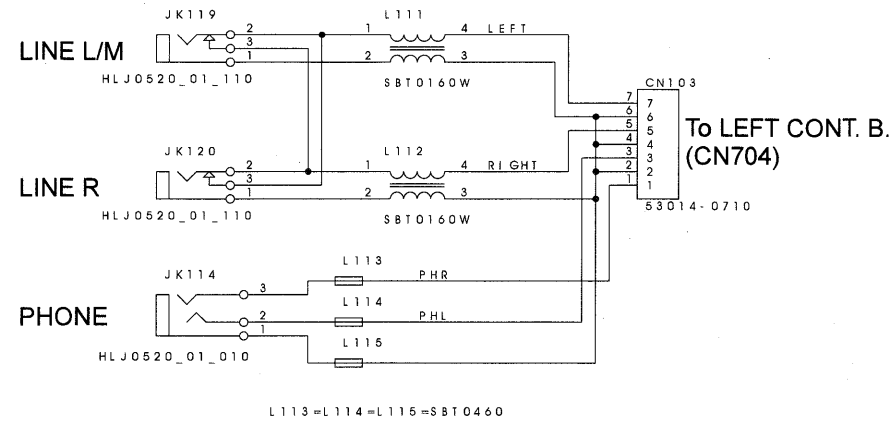


View from component side

1 2 3 4 5 6 7 8 9 10 11 12 13 14 15 16 17 18 19 20 21 22 23 24 25 26 27 28 29 30

A CIRCUIT DIAGRAM JACK PCB ASSY

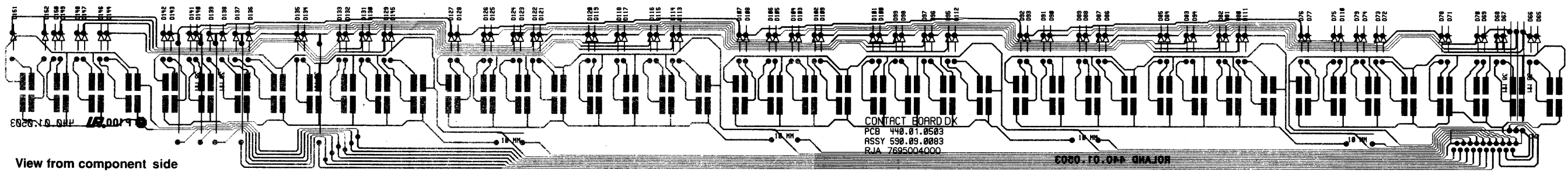
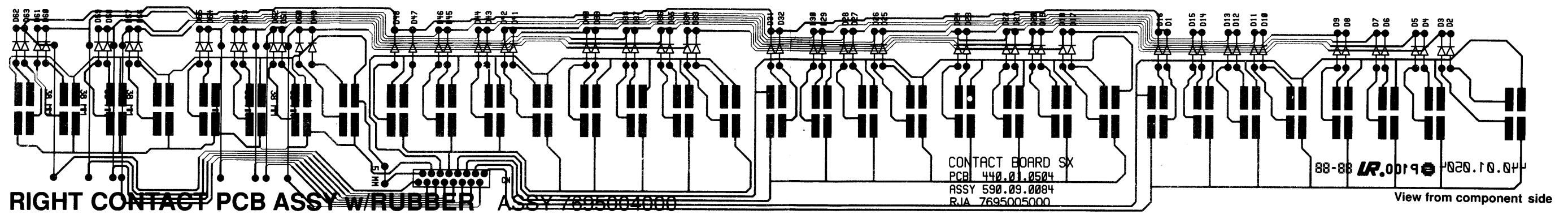
B
C
D
E
F
G
H
I
J
K
L
M
N
O
P
Q
R
S
T
U



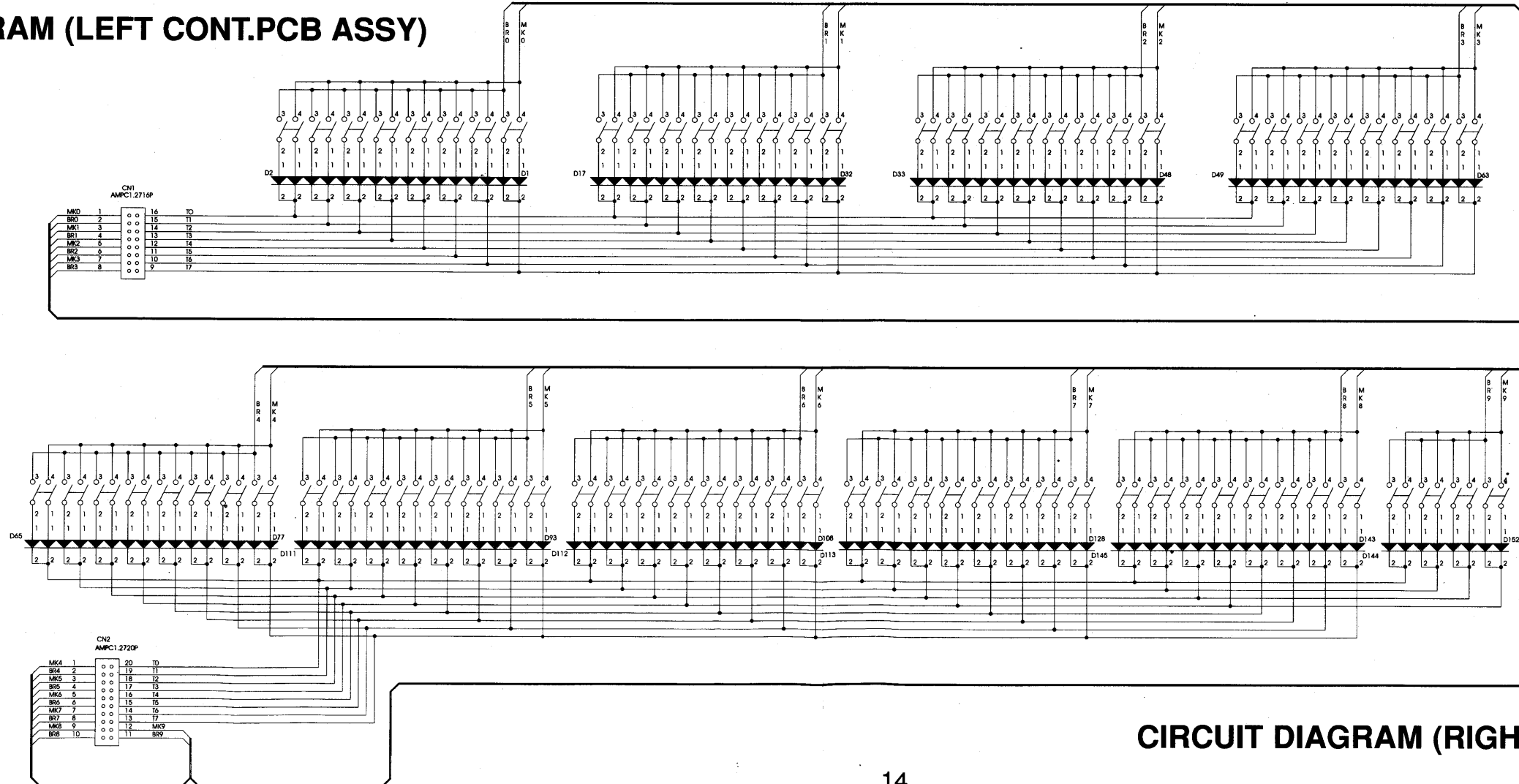
1 2 3 4 5 6 7 8 9 10 11 12 13 14 15 16 17 18 19 20 21 22 23 24 25 26 27 28 29 30

A
B
C
D
E
F
G
H
I
J
K
L
M
N
O
P
Q
R
S
T
U

LEFT CONTACT PCB ASSY w/RUBBER ASSY 7695005000



CIRCUIT DIAGRAM (LEFT CONT.PCB ASSY)



TEST MODE

NOTE :Before executing test mode, be sure to backup user data as explained in the section "Saving and loading user data."

When you execute test mode, the various parameters will be given special settings. After executing test mode, be sure to either load the user data, or initialize the internal RAM.

◇ Necessary items

- DP-6 (foot pedal)
- EV-5 (expression pedal)
- MIDI Sequencer
- MIDI cable x 2
- VE-GS1 (voice expansion board)
- Oscilloscope
- Headphones
- Devices for measurement (mono dummy plug x 2)

◇ Entering test mode

While simultaneously holding down numeric keys 1, 3, and 5, turn the power on. The backup RAM and internal battery will be checked, and the result displayed in the LCD. If there is a problem, check MAIN BOARD IC6, 10, and BT1.

Following this, the version and test item menu will appear, and the A-70 will wait for test items to be selected.

◇ Exiting test mode

Turn the power on once again to return to normal mode.

◇ Test items

The A-70/EX has the following test items.

Each test item is assigned to the following data entry keys.

Press the appropriate number to enter the corresponding test item. For details on each test, refer to the explanations for each item.

- 0 : Version and test item menu display
- 1 : SW/LED test
- 2 : LCD test
- 3 : Slider VR test
- 4 : Pedal test
- 5 : Bender value setting
- 6 : Bender/wheel test
- 7 : MIDI test
- 8 : Not Available
- 9 : Keyboard test and audio signal output test

0 : Version and test item menu display

Summary : Display the version and test items in the LCD
 Procedure : Press numeric key 0 to display the menu.

↓

The system program version and the test item menu will be displayed.

↓

The test program will wait for an item to be selected.

1 : SW/LED test

Summary : Check LED and switch operation

Procedure : Press numeric key 1 to enter the SW/LED test item.

↓

All LEDs will light. Check that there are no LEDs that fail to light.
 (If there is a problem, refer to check 1.)

↓

Press each SW, and check that each of the corresponding LEDs or LCD characters go dark.
 (If there is a problem, refer to check 1.)

↓

This completes the SW/LED test.

NOTE:To exit the SW/LED test item and go to another item, hold down ENTER and press the numeric key corresponding to the desired test item.

Action :

check 1 :

PANEL L BOARD SW/LED
 PANEL R BOARD SW/LED
 PANEL L BOARD IC709, 710
 PANEL R BOARD IC201
 PANEL L BOARD CN707 <=> MAIN BOARD CN8
 PANEL R BOARD CN201 <=> MAIN BOARD CN5
 MAIN BOARD IC12

2 : LCD test

Summary : Check for unevenness or defects in the LCD and the operation of the contrast control circuit

Procedure : Press numeric key 2 to enter the LCD test item.

↓

All pixels of the LCD will light. Check that there is no unevenness or defect in the LCD.
 (If there is a problem, refer to check 1.)

↓

Check that the contrast of LCD changes by pressing the INC/DEC button (or moving the DATA ENTRY slider).
 (If there is a problem, refer to check 1.)

↓

This completes the LCD test.

Action :

check 1 :

LCD UNIT
 LCD UNIT <=> MAIN BOARD CN6
 MAIN BOARD IC12

3 : Slider VR test

Summary : Check the operation of the slider VRs.

Procedure : Press numeric key 3 to enter the slider VR test item.

↓

Raise and lower the six sliders TOTAL through DATAENTRY, and check that the value changes from 0—10 in correspondence to the slider movements.
(If there is a problem, refer to check 1.)



This completes the slider VR test.

Action :

check 1 :

L BOARD BR702...706, IC707, 708
R BOARD VR201
PANEL L BOARD CN705 <=> MAIN BOARD CN11
PANEL R BOARD CN201 <=> MAIN BOARD CN5
MAIN BOARD IC7

4 : Pedal controller test

Summary : Check the operation of the pedal controller.

Procedure : Press numeric key 4 to enter the pedal controller test.



Connect the EV-5 to FC, and TOTAL VOL and move the pedal, checking that the displayed "FC", and "Vo" values change from 0—10.

(If there is a problem, refer to check 1.)



Connect the DP-6 to FS, and HOLD and move the pedal, checking that the displayed "FS" and "Hold" values change from "O" to "-".

(If there is a problem, refer to check 2.)



This ends the pedal/breath controller test.

Action :

check 1 :

JACK B BOARD JK 117, 118
JACK B BOARD CN101<=> PANEL L BOARD CN706
PANEL L BOARD IC708
PANEL L BOARD CN705 <=> MAIN BOARD CN11
MAIN BOARD IC7

check2 :

JACK BOARD JK 115, 116
JACK BOARD CN102 <=> MAIN BOARD CN4
MAIN BOARD IC7

5 : Bender value setting

Summary : Specify the dead region at the center of the bender

Procedure : Press numeric key 5 to enter the bender setting item.



The MIN and MAX values of the current dead area will be displayed.

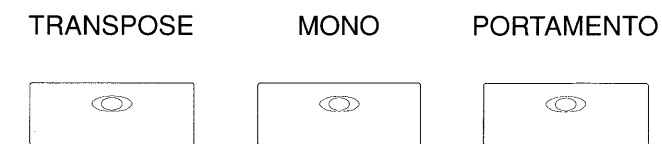
Lower the bender all the way to the left, gradually return it to the center and press TRANSPOSE to set the MIN value.



Raise the bender all the way to the right, gradually return it to the center and press PORTAMENTO to set the MAX value.



This completes the bender settings.



NOTE: After setting the bender values, be sure to perform the bender/wheel test to check operation.

* If after performing the bender/wheel test you were unsuccessful in making the setting, use the following procedure to manually set the dead region.

◇ Manual adjustment of the dead region

1. Use the "<" cursor key to select MIN setting mode.
2. Use the ">" cursor key to select MAX setting mode.
3. Use the INC and DEC keys to increase/decrease the setting.

6 : Bender/wheel test

B- | B+ | Bm | W+ | W- | Wm |
(1) (2) (3) (4) (5) (6)

Summary : Check the operation of the bender and wheels.

Procedure : Press numeric key 6 to enter bender/wheel test mode.



Move the bender toward the left and check that (1) in the diagram changes from 0 to over 6(See NOTE1).

When the bender is released, the value should be 0.

(If there is a problem, check the bender value setting, and the items of check 1.)



Move the bender toward the right and check that (2) in the diagram changes from 0 to over 6(See NOTE1).

When the bender is released, the value should be 0.

(If there is a problem, check the bender value setting, and the items of check 1.)



Move the bender toward the rear and check that (3) in the diagram changes from 0 to over 6(See NOTE1).

(If there is a problem, check the items of check 1.)



Move wheel 1 toward the rear and check that (4) in the diagram changes from 0 to over 6(See NOTE1).

(If there is a problem, check the items of check 2.)



Move wheel 1 toward yourself and check that (5) in the diagram changes from 0 to over 6(See NOTE1).

(If there is a problem, check the items of check 1.)



Move wheel 2 toward yourself and check that (6) in the diagram changes from 0 to over 6(See NOTE1).

(If there is a problem, check the items of check 1.)



This completes the bender/wheel test.

Action :

check 1 :

BENDER <=> PANEL L BOARD CN708
 PANEL L BOARD IC705, 707
 PANEL L BOARD CN705 <=> MAIN BOARD CN11
 MAIN BOARD IC7

check 2 :

WHEEL <=> PANEL L BOARD CN701
 PANEL L BOARD IC706, 707, 708
 PANEL L BOARD CN705 <=> MAIN BOARD CN11
 MAIN BOARD IC7

7 : MIDI test

I1 | I2 | O1 | O2 | O3 | O4 |
 (1) (2) (3) (4) (5) (6)

Summary : Test the operation of the MIDI IN, OUT, and THRU jacks
 Procedure : Press numeric key 7 to enter the MIDI test item.



Use a single MIDI cable to connect IN2 and OUT1, and check that display items (2) and (3) change from "-" to "0".



Use another MIDI cable to connect IN1 and THRU, and check that display item (1) changes from "-" to "0".
 (If there is a problem, refer to check 1.)



Leaving the IN2/OUT1 MIDI cable connected to IN2, connect the other end of the cable successively to OUT2, OUT3, and OUT4, and check that display items (4), (5), and (6) change from "-" to "0".
 (If there is a problem, refer to check 1.)



This ends the MIDI test.

Action :

check 1 :

JACK BOARD Q110,Q111,Q112, IC101, 102, 103
 JACK BOARD CN102 <=> MAIN BOARD CN4
 MAIN BOARD IC11

8 : N.C.

9 : Keyboard test

Summary : Test keyboard and audio signal operation
 Procedure : Press numeric key 9 to enter the keyboard test item.



Press a desired key and check that the key number, on-velocity, and off-velocity are displayed correctly. Check that the piano sound appropriate for each key is output.*
 (If there is a problem, refer to check 1.)



Apply pressure to a desired key, and check that aftertouch changes in the range 0 to over 6(See NOTE1).
 (If there is a problem, refer to check 2.)



This ends the keyboard test.

* If a VE series unit is installed in the A-70 and the OUTPUT jack is connected to an amp, a piano sound will be heard.

Action :

check 1 :

KEYBOARD <=> MAIN BOARD CN2,3
 MAIN BOARD IC1

check 2 :

KEYBOARD <=> AFT BOARD CN402
 AFT BOARD CN401 <=> PANEL L BOARD CN703
 PANEL L BOARD IC706, 707
 PANEL L BOARD CN705 <=> MAIN BOARD CN11
 MAIN BOARD IC7

9 : Audio signal output test

Summary : Check LINE-OUT (unbalanced L(MONO)) etc.

Supplementary explanations (functions) :

* Line out impedance : 1680 ohms
 L(mono) impedance : 840 ohms

* If a plug is not inserted into LINE OUT R, the L and R channels will be mixed and output from LINE OUT L. This is referred to as L(MONO).




Procedure : Turn off the power, and install the VE-GS1 into the A-70.



Enter test mode, and press numeric key 9 to enter the keyboard test item.



As shown in the following diagram, press the TRANSPOSE, MONO, or PORTAMENTO keys to output a sine wave from LINE OUT.

Switch operation		
TRANSPOSE	MONO	PORTAMENTO
 press	 press	 press
output a sine wave from LINE OUT and PHONES OUT L only	output a sine wave from LINE OUT and PHONES OUT L and R	output a sine wave from LINE OUT and PHONES OUT R only

The following table shows the values that should be detected. Check that the oscilloscope shows a clean sine wave, and that the wave height value of each waveform is correct.
 (If there is a problem, refer to check 1.)

Checking the output

		Switch operation		
		TRANSCOPE	MONO	PORTAMENTO
Stereo	L	VOUT Vpp=2,5V		No Output
	R	No Output		VOUT Vpp=2,5V
Mono	L Mono	VOUT Vpp=1,25	VOUT Vpp=1,5V	VOUT Vpp=1,25V

Mute check

Procedure : Connect an amp to the line output.
Raise the amp and the INT slider volume of the A-70 to maximum.



Check that when the A-70 power is turned on, there is no pop noise from the amp and the LCD is not garbled.

(If there is a problem, refer to check 1.)



Check for the same items when the power is turned off.

Headphone output check

Procedure : Turn off the power, and connect headphones and the VE-GS1 to the A-70.

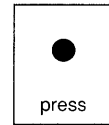
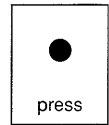
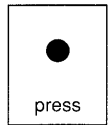


Enter test mode, and press numeric key 9 to enter the keyboard test item.



Press the TRANSCOPE, MONO, and PORTAMENTO switches and check that sound is output from the headphones as shown in the following table.

(If there is a problem, refer to check 2.)

Switch operation		
TRANSCOPE	MONO	PORTAMENTO
		
Heard from only the right side in the headphones	Heard from both sides in the headphones	Heard from only the left side in the headphones



Continue with the volume check.

Press the MONO switch, and move the INT slider volume from top to bottom, and check that the sound does not crackle or break.

(If there is a problem, refer to check 3.)



This completes the audio output check.

Action :

check 1 :
VE-GS1 CONNECT RETRY
PANEL L <=> MAIN CN11 (CABLE)
PANEL L <=> JACK CN103 (CABLE)
MAIN IC17, IC15, IC16
PANEL L IC2

check 2 :
PANEL L <=> JACK CN103(CABLE)
MAIN Q3, Q4, Q5, Q6, Q7
MAIN DA5, DA6
PANEL L IC1

check 3 :
PANEL L VR701

SAVING AND LOADING USER DATA

You can send the contents of internal memory to a sequencer or MIDI device that can record bulk data.

Data that has been recorded in this way can be received via MIDI IN2 at any time

* The contents of the internal memory are overwritten by any data that is received.

This procedure will save the following data to sequencer;

- * Performance and Chain setting in the temporary area
- * Manual mode settings
- * System settings (except for controller assignments and User Name Maps)
- * Controller assignment
- * All performances and chains internal memory
- * User Name Maps

First of all, you need to set device ID (EDIT:SYS,E01).

1. Change to the Edit mode, and use the menu or the shortcut to select "Dev ID"

E01	Ctrl ch	Dev ID
	▶16	▶17

2. Use the CURSOR button to move the cursor to the right, and use DATA ENTRY to set the device ID (the initial setting is "17").

If you're exchanging data between two A-70/EX units, they should both be set to the same device ID

This setting is saved automatically as a system setting.

Next, choose what you want to send and select the MIDI OUT to be used (UTILITY:BLK,U50).

3. Change the Utility mode, and use the menu or the shortcut to select "Bulk Dump"

U50 Bulk Dump
TmpP&C ▶OFF 000000

↑ ↑ ↑ ↑ ↑ ↑
a b c d e f

- a Performance and Chain setting in the temporary area
- b Manual mode settings

- c System settings (except for controller assignments and User Name Maps)
 - d Controller assignment
 - e All performances and chains internal memory
 - f User Name Maps
5. Use the corresponding MIDI OUTPUT switch to choose the MIDI OUT
 6. Press [ENTER]. A confirmation message asking you if you want to sent the data appears Press [ENTER]. for "yes" or [EXIT] for "No"



INITIALIZING THE INTERNAL RAM

1. If the MANUAL button is held down while you turn the power on, the voice expansion board that is installed will automatically be detected, and internal RAM will be initialized for that expansion board. If the CHAIN button is held down while you turn the power on, internal RAM will be initialized for the VE-RD1 regardless of whether or not a voice expansion board is present. If the EDIT button is held down while you turn the power on, internal RAM will be initialized to the settings for when an expansion board is not installed, regardless of whether a voice expansion board is present.
2. After turning on the power while holding down a button, press the ENTER button to execute the desired type of initialization.

UPGRADING THE FLASH ROM SOFTWARE VERSION

The A-70 contains flash ROM, allowing the program version to be updated via MIDI.

Caution : If the power supply fails while flash ROM is being written into, the data in flash ROM will be destroyed and it will be impossible to ever again rewrite it. If this occurs it will be necessary to replace the ROM. Perform this operation in an environment where it is unlikely that the power to the A-70 will be interrupted, or that other accidents could occur.

◇ Necessary items

A-70/EX software update disk SMF player (SB-55 etc. Anything that will playback SMF will do.)
Foot pedal (DP-6) x 2 (or two mono dummy (=open)plugs are also ok.) MIDI cable

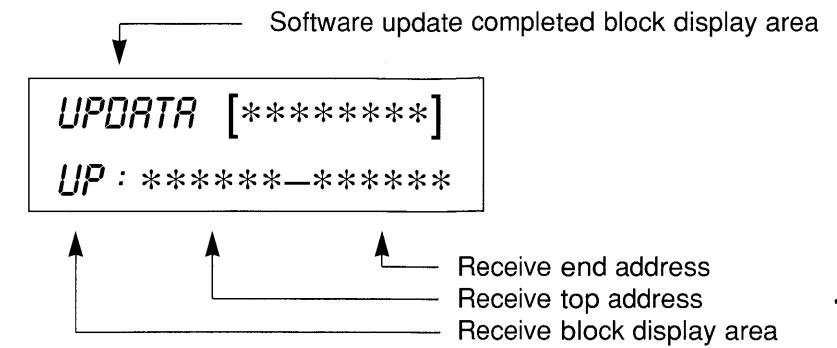
- * The software update disk contains the A-70 program converted into SMF data. Obtain the latest version from the service center. The filenames are as follows.

_00001.mid
_00002.mid
:
_00008.mid
_00008.mid will always exist, and _00001 - _00007.mid may or may not exist depending on the program size.

◇ Update procedure

0. As necessary, save the user memory to a sequencer. The contents of user memory will be lost during the software update.

1. Connect pedals (or mono dummy (=open) plugs) to the HOLD and FS jacks of the A-70.
2. Connect the MIDI OUT of the SMF player to the MIDI *IN2* of the A-70.
3. Press both pedals (if you have inserted mono dummy plugs those connections will be sufficient), and while holding down the OUT1 button turn on the power. The LCD will show as follows;



and the A-70 will enter software update mode.

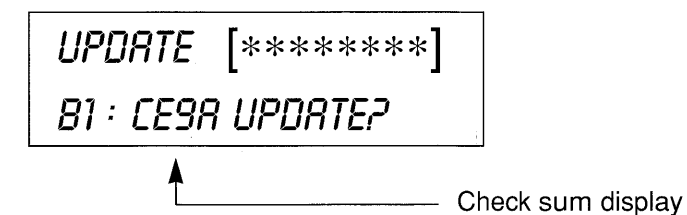
4. Starting from the lowest-numbered filename, playback the files on the SMF player. (In the case of the SB-55, playback will begin automatically from _00001.mid.) During reception, the Receive Block / Top Address / End Address will indicate the current status.

- * The Receive Block will indicate;

_00001.mid	B1 (Block 1)
_00002.mid	B2 (Block 2)
:	
_00008.mid	B8 (Block 8)
- * The Receive Top/End Blocks will indicate;

_00001.mid	FF0000-FFFFFF
_00002.mid	FE0000-FFFFFF
:	
_00008.mid	F80000-FFFFFF

5. When each file has finished playing, pause the SMF player. (In the case of the SB-55, caution must be used since the next file will begin to play.)
6. Check that the lower four digits of the Receive Top Address are 0000 and that the lower four digits of the Receive End Address are FFFF. Then press the ENTER button of the A-70 to get a display like the following.



After you confirm this by comparing the displayed value with the check sum printed on the disk label, press the ENTER button and the software update will begin. If the check sum is different, press the EXIT button to return to the display of step 3, and transmit the file once again.

- * When you press ENTER, the display will indicate

ERASE -> WRITE -> CE9A-CE9A OK

During Erase or Write, be very careful to never let the power be interrupted. In the worst case, the A-70 may become incapable of starting up.

7. When the software update is completed, the display will indicate

```
UPDATE [1*****]
B1 : CE9A CE9A OK
```

and the block number will appear in the software update completed block display area to indicate that block 1 has been updated.

8. Press ENTER to get a display like the following.

```
UPDATA [1*****]
** : *****—*****
```

Now transmit the next file.

9. Repeat steps 4 through 8 until all of the files have been transmitted.

When the software has been updated for all blocks, all of the asterisks "*" will be gone from the software update completed block display area, as in the following display.

```
UPDATA [12345678]
** : *****—*****
```

After verifying this status, turn the power off.

◇ Adjustment following software update

A software update will cause the user memory of the A-70 to be lost. Thus, the following adjustments will be necessary.

- The necessary adjustments are;
- Bender value setting.
- Initialization of user memory.
- Loading of user memory from card (as necessary).

1. Center calibration of the bender
Refer to the bender value setting (number 5) in the test items.
2. Initialization of user memory
Refer to the item for initialization of internal RAM.
As necessary, load data from a sequencer.
Refer to the items for saving and loading user memory.

PARTS LIST A-70 (100V/117V/230V/230VE/240VA)

SAFETY PRECAUTIONS :

The parts marked Δ have safety-related characteristics. Use only listed parts for replacement.

NOTE : The parts marked "# " are new (Initial Parts).
The parts marked Δ have Safety - Related characteristics. Use only listed parts for replacement.

<< EMI >> : Component for EMC.

CONSIDERATION ON PARTS ORDERING

When ordering any parts listed in the parts list, please specify the following items in the order sheet.

QTY	PART NUMBER	DESCRIPTION	MODEL NUMBER
Ex. 10	22575241	Sharp Key	C-20/50
15	2247017300	Knob (orange)	DAC-15D

Failure to completely fill the above items with correct number and description will result in delayed or even undelivered replacement.

RCB = Right Contact Board	MB = Main Board
LCB = Left Contact Board	PSB = Power Sup. Board
JB = Jack Board	RB = Right Control Board
PB = Primary Board	LB = Left Control Board
AFTB = After Touch Board	

CASING

#	7699508000	VARN+SILK. TOP CABINET	A-70
#	7699509000	VARN+SILK. BOTTOM CABINET	A-70
#	7699520000	VARN. RIGHT SIDE PANEL	A-70
#	7699521000	VARN. LEFT SIDE PANEL	A-70
#	7699519000	VARN. COVER F/EXPANSION BOARD	
	22205543	GUIDE F/4 POTENTIOMETERS	
	00788990	WHEEL CAP	
#	K2238119	SILKSCREENED PLEXIGLAS	A-70

KNOB BUTTON

	22485253	BLACK CAP F/POT.	
	K2478200	BUTTON GROUP	22X8-DIFF. -BLACK
	K2478202	BUTTON GROUP	(4) 22X8 -BLACK-
	K2478203	BUTTON GROUP	(4) 15X8 -BLACK-
	K2478255	TRIANG. BUTTON	(BLACK)
	22488183	POWER SWITCH KNOB	N.001-BLACK

SWITCH

	1312975301	SWITCH	EVQ-QSB 05K GR.160	on LB ; on RB
	13129160	SWITCH	SDDL1-TV5	SW1 on PRIMARY B.

JACK, SOCKET

	13449125	JACK SOCKET	HLJ0520-01-110	JK115,116,119,120 on JB
	13449126	JACK SOCKET	HLJ0520-01-010	JK114,117,118 on JB
	13429664RI	DIN SOCKET	MG/PR 5L	JK107/113 on JB

DISPLAY UNIT

#	7699511000	LCD ASSY	A-70
		(Including LCD, PCB and WIRING)	
		NOTE : Replacement LCD Unit should be made on a unit basis. No replacements available for individual parts. Replacement only be a unit.	

BENDER UNIT

	70564101	TURBOLESS PITCH BENDER PBH0201	
	23275893	WHEEL BW-A0000-327-893 W/CABLES	
		NOTE : Replacement BENDER Unit should be made on a unit basis. No replacements available for individual parts. Replacement only be a unit.	

KEYBOARD ASSY

#	7699510000	76-K.WEIGHTED KEYBOARD TP/8SAT	
		NOTE : For details, refer to KEYBOARD PARTS LIST (Pag.4)	

PCB ASSY

#	7699502000	POWER SUPPLY PCB ASSY	A-70
#	7699503000	RIGHT CONTROL PCB ASSY	A-70
#	7699504000	LEFT CONTROL PCB ASSYA-70	
#	7699505000	JACK SOCKET ASSY	A-70
#	7699506000	PRIMARY ASSY	230/240V A-70
#	7699512000	PRIMARY ASSY	100/117V A-70
#	7699507000	BOUNCE-TO-AFTERTOUCH ASSY	A-70
	7695004000	RIGHT CONTACT BOARD W/RUBBER ASSY	
	7695005000	LEFT CONTACT BOARD W/RUBBER ASSY	
ⓔ #	7699501000	MAIN BOARD PCB ASSY	A-70
		NOTE : When you replace the MAIN BOARD or Lithium Battery, You must reperform bender adjustment. Refer to [Bender Value Setting] item in the Test Mode.	

IC

15229718RI	I.C. 6N 137	Photo-Coupler	IC101,102 on JB
00342723	I.C. MB90705 H	Cpu FMC16	IC7 on MB
15169515	I.C. 74 HC 00	Quad 2-input NAND Gate	IC201 on RB, IC709,710 on LB
15249111	I.C. TC7WU04 F (Flat)	Triple Inverter	IC4 on MB
00349690	I.C. UPD 65622GF-138-3B9	Custom IC	IC12 on MB
00129278	I.C. SSC1080 FOB	Custom IC	IC1 on MB
00788356	I.C. M38881M2-058FP	Sub CPU (IPC)	IC11 on MB
J5259107	I.C. HM628128ALFP-7 (Flat)	SRAM	IC6,10 on MB
J5259110	I.C. HM62256LFP-7T (Flat)	SRAM	IC5,8 on MB
J5169108	I.C. TC 4052	Multipl./Demultip.	IC707,708 on LB
J5169107	I.C. SN 74LS32 NDS	Quad 2-input OR Gate	IC103 on JB
15189210	I.C. BA 5218F	Dual Op. Amplifier	IC13,15,16 on MB
15289710	I.C. UPD 63200GS	D/A Converter	IC17 on MB
15189250	I.C. M5218 AL	Dual Op..Amplifier	IC1,2,705,706 on LB

	15199937	I.C. M51953 BP (Flat)	Reset IC	IC9 on MB
	15289116	I.C. NJM2082M	Dual Op. Amplifier	IC14 on MB
△	J5199102	I.C. UA 7812 CV	REGUL. (+12V)	IC601 on PSB
△	15199197RI	I.C. UA 7805 SCNC	REGUL. (+5V)	IC603 on PSB
△	J5199103	I.C. 7912F	REGUL. (-12V)	IC602 on PSB
#	7699518000	I.C. FLASH ROM A70		IC3 on MB

TRANSISTOR

	15129114	TRANSISTOR	2SC-1815GR	Q6 on MB
	15119113	TRANSISTOR	2SA-1015 GR	Q712,714/721 on LB, Q205,206 on RB
	15129136	TRANSISTOR	2SC-2878-A/B	Q727,728 on LB
	15319101	TRANSISTOR	2SC-2412	Q3,5 on MB
	15309101	TRANSISTOR	2SA-1037KR	Q2,4,7 on MB
	15119163	TRANSISTOR	RN2227	Q110,112 on JB ; Q201/204 on RB ; Q722/725 on LB
	15129199	TRANSISTOR	RN1211	Q711 on LB
	00898201	TRANSISTOR	RN2421	Q1 on MB
	15129198	TRANSISTOR	DTA-124 ES	Q726 on LB ; Q102,108 on JB
	15129197	TRANSISTOR	DTC-144 WS	Q101,107,111 on JB
	15129160	TRANSISTOR	DTC-144 ES	Q105,109 on JB ; Q713 on LB
	15329502	TRANSISTOR	DTC-124 EK (CHIP)	DA6 on MB

DIODE

	15019159RI	DIODE	1N-4148	on LB ; on RB ; on LCB ; on RCB ; D601 on PSB ; D101/103 on JB
	15339105	DIODE	DAN-202K (CHIP)	DA2,5 on MB
	15339108	DIODE	DA-204K (CHIP)	DA1,3 on MB
	15339142	DIODE	RB705D (CHIP)	DA4 on MB
	15029284RI	LED DIODE	TLHR4401 - RED	on LB ; on RB
	15019345RI	ZENER DIODE	BZX79C 5.6V	ZD1 on MB
	J5019106	ZENER DIODE	BZX79C 5.1V	ZD701/704,706,708 on LB
	J5019114	DIODE ZENER	BZX79C 20V	ZD709 on LB
△	15019245	JUMPER DIODE	1B4B41 1A/100V	D603 on PSB
△	15019284	JUMPER DIODE	S2VB20 2A/200V	D602 on PSB

RESISTOR

	15399917	CHIP RES.	ARRAY 4X10K E/U	RA10,12,17,20,31 on MB
	15399965	CHIP RES.	ARRAY 8X10K +C	RA4,5,18,19,29 on MB
	15399932	CHIP RES.	ARRAY 4X100 E/U	RA13,16,30 on MB
	15399991	CHIP RES.	ARRAY 4X22K E/U	RA11 on MB
	00346690	CHIP RES.	ARRAY 8X6.8K +C	RA1,2,3 on MB
	15399941	CHIP RES.	ARRAY 4X390 E/U	RA6/9,14,15,21/28 on MB
	15399946	CHIP RES.	ARRAY 4X3.3K E/U	RA32 on MB
	13819132RI	UNINFL.RES.	100 OHM 0.6W 5%	R830,831 on LB
	J3809150	UNINFL.RES.	33 OHM 1/4W 5%	L2 on MB
	J3809144	UNINFL.RES.	6.8KOHM 0.6W 5%	R41,43 on MB

POTENTIOMETER

	13359366	SLIDER POT.	NA0-X05-B14	VR701 on LB
	00891789	SLIDER POT.	NPE-X05-B14	VR702/706 on LB ; VR201 on RB

CAPACITOR

△	J3629123	ELECTRL.COND.	6800U 25V R	C609 on PSB
	J3629103	ELECTRL.COND.	100U 25V P5	C112 on JB ; C26,60,63,64,71 on MB
△	J3629153	ELECTRL.COND.	2200UF 35V R	C616,617 on PSB
	J3629135	ELECTRL. COND.	470U 35V P5	C610,611 on PSB
	J3629105	ELECTRL.COND.	47U 50V P5	C607 on PSB ; C103,114 on JB ; on MB
	J3629106	ELECTRL.COND.	4.7U 63V P5	C608 on PSB ; C79,81 on MB
	J3629107	ELECTRL.COND.	1UF 100V P5	C37 on MB
	J3629143	ELECTR. COND.	10U 16V H.7	C758,761,762,763 on LB
	J3629137	ELECTR. COND.	33U 16V H.7	C717,718,732,733,734,748,752 on LB ; C201,206 on RB
	J3629142	ELECTR. COND.	1U 63V H.7	C203,204 on RB ; C719,720,737/746 on LB
	J3629149	ELECTR.COND.	100U 16V H.7	C713,714 on LB
△	13529104RI	CAPACITOR	DE1310E472MVA-KH	C1 on PRIMARY B

INDUCTOR, COIL, FILTER

<<EMI>>	12449370	NOISE SUP.	SBT-0160W	on JB
<<EMI>>	12449326	NOISE SUP.	SBT-0460	on JB
<<EMI>>	13529187	NOISE SUP.	ELKTR391CA	on LB ; on RB ; on JB
<<EMI>>	00452034	NOISE SUP.	BK2125HM102 (CHIP)	R34 on MB
<<EMI>>	00907856	NOISE SUP.	BLM21A601SPT (CHIP)	R14 on MB

CRYSTAL, RESONATOR

	00891801	QUARTZ	24.000 MHZ MA-406	X1 on MB
--	----------	--------	-------------------	----------

FUSE, FUSE HOLDER

△	12559606RI	FUSE 5X20	315MAL/250V SEMKO	For 230/240V	F1 on P.B
△	12559607RI	FUSE 5X20	600MA/250V ULCSA	For 100/117V	F1 on P.B
	12199597RI	FUSE HOLDER T.P1			on P.B

CONNECTOR

	13419677RI	16P FEM. CONN. AMP	P. 1.27	CN3,11 on MB; CN705 on LB ;CN1 on LCB
	13369689RI	20P FEM. CONN. AMP	P. 1.27	CN2,5,8 on MB ; CN707 on LB ; CN201 on RB ; CN2 on RCB
	J3439108	14P MALE CONN.	P. 1.27	CN6 on MB
	J3439112	2P MALE CONN.	P 2.5 M	CN7 on MB

	J3439121	6P MALE CONN.	P.2 M	CN706 on LB ; CN101 on JB ; CN202 on RB ; CN601 on PSB
	J3439122	8P MALE CONN.	P.2 M	CN10 on MB;CN602 on PSB
	J3439146	11P MALE CONN.	P.2 M	CN4 on MB ; CN102 on JB
	J3429120	3P MALE CONN.	P.2 M	CN703 on LB; CN401 on AFTB
	J3439148	7P MALE CONN.	P.2 M	CN704 on LB; CN103 on JB
	J3439152	5P MALE CONN.	P.3.96 M	CN603 on PSB
#	J3439157	20P MALE CONN.	(52411-0220)	CN9 on MB
#	J3439158	4P MALE CONN.	MA76382-404	CN402 on AFTB
#	J3439159	4P MALE CONN.	53254 90°.P.2	CN708 on LB
#	J3439160	7P MALE CONN. 90°	P2.5	CN701 on LB
	13439611RI	3P SCREW CLAMP	P10	CN1 on P.B.

WIRING, CABLE

	00783234	BENDER CABLE	(35)	(W4PC)	P.2	CN708 on LB to bender
	K3468158	16P FLAT CABLE	(62)	-2C		CN11 on MB to CN705 on LB
#	K3468177	16P FLAT CABLE	(56)	-2C		CN3 on MB to CN1 on LCB
	K3468152	20P FLAT CABLE	(44)	-2C		CN2 on MB to CN2 on RCB
	K3468161	20P FLAT CABLE	(36)	-2C		CN8 on MB to CN707 on LB
#	K3468178	20P FLAT CABLE	(44)	-2C/D		CN5 on MB to CN201 on RB
	7698716000	3P CABLE ASSY	(36)	-2C	P.2	CN703 on LB to CN401 on AFTB
#	7699515000	6P CABLE ASSY	(52)	-2C	P.2	CN202 on RB to CN601 on PSB
#	7699516000	7P CABLE ASSY	(20)	-2C	P.2	CN704 on LB to CN103 on JB
#	7699517000	6P CABLE ASSY	(24)	-2C	P.2	CN706 on LB to CN101 on JB
#	7699514000	8P CABLE ASSY	(44)	-2C	P.2	CN10 on MB to CN602 on PSB
#	7699513000	11P CABLE ASSY	(34)	-2C	P.2	CN4 on MB to CN102 on JB

TRANSFORMER

△	K2458140	POWER TRANSFORMER 100/240V	A70
---	----------	----------------------------	-----

AC INLET

#	△	J3449103	UNIVERSAL AC INLET ON PB	INLET1 on P.B
---	---	----------	--------------------------	---------------

BATTERY

△	12569149RI	LITHIUM BATTERY CR2032
---	------------	------------------------

SCREW

	J2289121	SELF TAP.SCREW	2.2X10 TC TC
	J2289102	SELF TAP.SCREW	2.9X10 TC TC
	J2289213	SELF TAP.SCREW	3.9X16 TC TC PR TROP
	J2289125	SCREW	2.9X10 TC TC PR TROP
	J2289130	SELF TAP.SCREW	2.9X13 TC TC PR TROP
	J2289131	SELF TAP.SCREW	3.5X16 TCTCPRBZ
	J2289107	SELF LOCK.SCREW	M3X6 TC TC H.6
	J2289108	SELF LOCK.SCREW	M3X10 TCTC H.6
	J2289193	SELF LOCK.SCREW	M3X6 TC TC H.6
	J2289135	SELF LOCK.SCREW	M4X 7 TCTC T.8
	J2289115	SELF TAP.SCREW	3.5X9.5 TCPRTFR H.8
	J2289186	SCREW	3.5X16 TC PR TFR H.8
	J2289113	NUT	3MA H.3
	K215810301	BUSHING	H.14 I.D.14 E.D.16

PACKING

#	K2638178	RIGHT POLYST. END-SIDE	A-70
#	K2638179	LEFT POLYST. END-SIDE	A-70
	K2678119	CARTENE ENVELOPE HD CM.170X56	
	K2678102	POLYETH. ENVELOPE 25X45	
#	K2618184	OUTER PACKING	A-70

MISCELLANEOUS

	J2139106	WASHER TH.2 E7D 13
	K2168102	SPACER FOR LED H.2.8 D.E. 5.5
	J2359105	PRESSURE RUBBER SFF-018
	12189810	SPRING SPACER F/PCB
	12569420	SOCKET FOR BATTERY CR2032

ACCESSORIES

△	J3439150	MAINS CABLE H05VV+POL.SOCKET	230V
△	J3439128	CABLE 49B/35JT 2X18 AWG-C17	117V
△	13499108	MAINS CABLE DC 545 J03	100V
△	13499152RI	CABLE BS/13/H05VV-F3G 0.75-V	230VE
△	13499150RI	CABLE SAA/3-OA3CCFC 3X0.75-V	240VA
	7710610000	PEDAL DP-2	
	K6018109	MIDI GUIDE	
#	K6018292	MIDI IMPLEMENTATION MANUAL	A70
#	K6018288	OWNER'S MANUAL (E)	A-70
#	K6018291	OWNER'S MANUAL (J)	A-70
#	K6018301	OWNER'S MANUAL (D)	A-70
#	K6018302	OWNER'S MANUAL (F)	A-70
#	K6018300	OWNER'S MANUAL (I)	A-70

TRANSLATION FROM ENGLISH INTO JAPANESE

和文対訳

注意： このサービスノートは英文のみで作成されています。
和文に関しては、以下を参照してください。

和文目次： テストモード
ユーザーデータのセーブとロード
内部RAMの初期化
フラッシュROMのバージョンアップ方法

テストモード

注意： テストモードを実行する前に、「ユーザーデータのセーブとロード」の項目を参照して必ずユーザーデータをバックアップして下さい。

テストモードを実行すると各種設定が特殊な設定になります。テストモードを実行した後は、ユーザーデータをロードするか内部RAMの初期化を必ず行って下さい。本体メモリー上のユーザーデータが失われます。

◇用意するもの

- ・ DP-6 (フットペダル)
- ・ EV-5 (エクスペリション・ペダル)
- ・ MIDIシーケンサー
- ・ MIDIケーブル×2
- ・ VE-GS1 (ボイスエクспанションボード)
- ・ オシロスコープ
- ・ ヘッドフォン
- ・ 測定用治具 (モノ空プラグ×2)

◇テストモードの入り方

データエントリーのテンキー1, 3, 5を同時に押しながら電源を入れます。バックアップRAMと内蔵バッテリーのチェック結果をLCDに表示します。
異常があればMAIN BOARD IC6,10,BT1をチェックして下さい。その後は、バージョンとテスト項目のメニューを表示し、テスト項目受け待ち状態となります。

◇テストモードの抜け方

もう一度電源を入れ直すことにより、通常モードに戻ります。

◇テスト項目

A-70/EXには以下に示すテスト項目があります。
各テスト項目はデータエントリーのテンキーに割り当てられていて、該当する番号を押すと、それぞれのテスト項目に入ります。各テストの詳細はそれぞれのテスト項目を参照してください。

- 0 : バージョン、テスト項目メニュー表示
- 1 : SW/LEDテスト
- 2 : LCDテスト
- 3 : スライダーVRテスト
- 4 : ペダルテスト
- 5 : ベンダー値設定
- 6 : ベンダー/ホイールテスト
- 7 : MIDIテスト
- 8 : (このテスト項目は実行せずに省いて、次の項目に進んで下さい。)
- 9 : キーボードテスト 及び 音声信号出力テスト

0 : バージョン、テスト項目メニュー表示

概要： バージョンとテスト項目をLCDに表示
作業： テンキーの0を押してメニュー表示項目に入ります。
↓
システムプログラムバージョンとテスト項目のメニューが表示されます。
↓
各種の項目入力待ちとなります。

1 : SW/LEDテスト

概要： LEDとスイッチの動作確認
作業： テンキーの1を押してSW/LEDテスト項目に入ります。
↓
LEDが全点灯されます。この時点灯していないものがないかを確認します。
(異常があればcheck 1を参考にして下さい。)
↓
それぞれのSWを押して行き、対応するLEDやLCDの文字がすべて消灯する事を確認します。
(異常があればcheck 1を参考にして下さい。)
↓
SW/LEDテスト終了です。

注意： SW/LEDテスト項目からぬけて他の項目に行くためには、ENTERを押しながら各テスト項目に対応したテンキーを押し、各テスト項目に入って下さい。

対処方法：

check 1 :
PANEL L BOARD SW/LED
PANEL R BOARD SW/LED
PANEL L BOARD IC709,710
PANEL R BOARD IC201
PANEL L BOARD CN707 <-> MAIN BOARD CN8
PANEL R BOARD CN201 <-> MAIN BOARD CN5
MAIN BOARD IC12

2 : LCDテスト

概要： LCDのムラやカケ等の異常表示やコントラストのコントロール回路の動作確認
 作業： テンキーの2を押して、LCDのテスト項目に入ります。
 ↓
 LCDのピクセルが全点灯します。
 LCDの表示にムラ及びカケがないか確認をします。
 (異常であれば check 1 を確認して下さい。)
 ↓
 INC/DEC (または DATA ENTRY スライダー) で LCDのコントラストが変化することを確認
 します。
 (異常であれば check 1 を確認して下さい。)
 ↓
 LCDテスト終了です。

対処方法：

check 1 :
 LCD UNIT
 LCD UNIT <-> MAIN BOARD CN6
 MAIN BOARD IC12

3 : スライダーVRテスト

概要： スライダーボリュームの動作確認
 作業： テンキーの3を押してスライダーVRテスト項目に入ります。
 ↓
 TOTAL から DATAENTRY までの6つのスライダーをそれぞれ上下に動かしながら、
 動きに追従し値が0-10と変化することを確認します。
 (異常であれば check 1 を確認して下さい。)
 ↓
 スライダーVRテスト終了です。

対処方法：

check 1 :
 L BOARD VR702~708
 R BOARD VR201
 PANEL L BOARD CN705 <-> MAIN BOARD CN11
 PANEL R BOARD CN201 <-> MAIN BOARD CN5
 MAIN BOARD IC7

4 : ペダルテスト

概要： ペダルの動作確認
 作業： テンキーの4を押してペダルテスト項目に入ります。
 ↓
 EV-5をFC, TOTAL VOLに接続してペダリングすると共に、"FC", "Vo"の表示の値が0-10に
 変化することを確認します。
 (異常であれば check 1 を確認して下さい。)
 ↓
 DP-6をFS, HOLDに接続してペダリングすると共に、"FS", "HOLD"の表示の値が"0", "-"に
 変化することを確認します。
 (異常であれば check 2 を確認して下さい。)
 ↓
 ペダルテスト終了です。

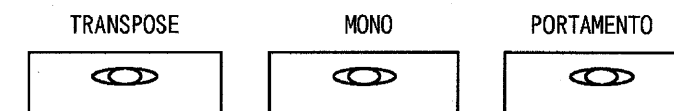
対処方法：

check 1 :
 JACK B BOARD JK117,118
 JACK B BOARD CN101 <-> PANEL L BOARD CN706
 PANEL L BOARD IC708
 PANEL L BOARD CN705 <-> MAIN BOARD CN11
 MAIN BOARD IC7

 check 2 :
 JACK B BOARD JK115,116
 JACK B BOARD CN102 <-> MAIN BOARD CN4
 MAIN BOARD IC7

5 : ベンダー値設定

概要： ベンダーのセンター付近不感帯を設定
 作業： テンキーの5を押して、ベンダー設定項目に入ります。
 ↓
 現在の不感帯のMIN,MAXが表示されます。
 ベンダーを左いっぱい下げゆっくりセンターへ戻して、TRANPOSEを押してMINの値を
 設定します。
 ↓
 ベンダーを右いっぱい上げゆっくりセンターへ戻して、PORTAMENTOを押してMAXの値を
 設定します。
 ↓
 ベンダー設定終了です。



注意： ベンダー値の設定を行った後は必ずベンダー/ホイールテストで動作確認を行って下さい。
 * ベンダー/ホイールテストを行っても、設定がうまくいかない場合は、次の方法でマニュアル
 で不感帯を設定できます。

◇不感帯のマニュアル調整法

1. カーソルキー" <" でMINの設定モードへ
2. カーソルキー" >" でMAXの設定モードへ
3. INC、DECキーで値の増減

6 : ベンダー/ホイールテスト

B-	B+	Bm	W+	W-	Wm
(1)	(2)	(3)	(4)	(5)	(6)

概要： ベンダーやホイールの動作確認
 作業： テンキー6を押してベンダー/ホイールテストモードに入ります。
 ↓
 ベンダーを左側に動かしながら図の(1)が0-6以上(注意1参照)で変化することを確認します。
 ベンダーを離しているときは値が0であること。
 (異常であればベンダー値の設定、check 1 を確認して下さい。)
 ↓
 ベンダーを右側に動かしながら図の(2)が0-10で変化することを確認します。
 ベンダーを離しているときは値が0であること。
 (異常であればベンダー値の設定、check 1 を確認して下さい。)
 ↓

ペンダーをリア側に動かしながら図の(3)が0-10で変化することを確認します。
(異常であれば check 1 を確認して下さい。)

↓

ホイール 1 をリア側に動かしながら図の(4)が0-10で変化することを確認します。
(異常であれば check 2 を確認して下さい。)

↓

ホイール 1 を手前に動かしながら図の(5)が0-10で変化することを確認します。
(異常であれば check 1 を確認して下さい。)

↓

ホイール 2 を手前からリア側に動かしながら図の(6)が0-10で変化することを確認します。
(異常であれば check 1 を確認して下さい。)

↓

ペンダー/ホイールテスト終了です。

対処方法:

check 1 :
BENDER <-> PANEL L BOARD CN708
PANEL L BOARD IC705,707
PANEL L BOARD CN705 <-> MAIN BOARD CN11
MAIN BOARD IC7

check 2 :
WHEEL <-> PANEL L BOARD CN701
PANEL L BOARD IC706,707,708
PANEL L BOARD CN705 <-> MAIN BOARD CN11
MAIN BOARD IC7

7 : M I D I テ ス ト

11	12	01	02	03	04
(1)	(2)	(3)	(4)	(5)	(6)

概要: MIDIのIN、OUT、THRU端子の動作確認
作業: テンキーの7を押して、MIDIテスト項目に入ります。

↓

一本のMIDIケーブルをIN2,OUT1に接続して、図(2), (3)の表示が“-”から“0”に変わることを確認します。

↓

もう一本をIN1,THRUに接続して、図(1)の表示が“-”から“0”に変わることを確認します。
(異常があれば check 1 を参考にして下さい。)

↓

IN2,OUT1のMIDIケーブルのIN2を接続したまま、もう一方を順次OUT2とOUT3とOUT4に接続して、図(4), (5), (6)の表示が“-”から“0”に変わるかを確認します。
(異常があれば check 1 を参考にして下さい。)

↓

MIDIテスト終了です。

対処方法:

check 1 :
JACK BOARD Q110,111,112,IC101,102,103
JACK BOARD CN102 <-> MAIN BOARD CN4
MAIN BOARD IC11

8 : このテスト項目は実行せずに省いて、次の項目に進んで下さい。

9 : (1) キーボードテスト

概要: キーボードの動作及び音声信号確認
作業: テンキーの9を押して、キーボードテスト項目に入ります。

↓

任意のキーを叩いて、キーナンバー、オンペロシティ、オフペロシティは正しくでていることを確認します。
各キーに対応したピアノの音が出ていることを確認します。*
(異常があれば check 1 を参考にして下さい。)

↓

任意のキーを押し込んでみる。アフタータッチが0-6以上に変化することを確認します。
(異常があれば check 2 を参考にして下さい。)

↓

キーボードテスト終了です。

* VEシリーズを本体にセットし、OUTPUTジャックにアンプを接続しておけば、ピアノの音が出ます。

対処方法:

check 1 :
KEYBOARD <-> MAIN BOARD CN2,3
MAIN BOARD IC1

check 2 :
KEYBOARD <-> AFT BOARD CN402
AFT BOARD CN401 <-> PANEL L BOARD CN703
PANEL L BOARD IC706,707
PANEL L BOARD CN705 <-> MAIN BOARD CN11
MAIN BOARD IC7

9 : (2) 音声信号出力テスト

概要: LINE-OUT (アンバランス、バランス、L (MONO)) 等のチェック。

追記説明 (機能):

・LINE OUT インピーダンス : 1680Ω
L (mono) インピーダンス : 840Ω

・LINE OUT Rにプラグが挿してないと、LchとRchがミックスされてLINE OUT Lから出力されます。これを、L (MONO) といいます。

作業:




電源オフにして、VE-GS1を本体にセットします。

↓

テストモードに入り、テンキーの9を押して、キーボードテスト項目に入ります。




↓

下図指示の、TRANSPOSE, MONO, PORTAMENTOのキーを押すことによりLINE OUTに正弦波が出力されます。

スイッチ操作		
TRANSPOSE 	MONO 	PORTAMENTO 
押す 正弦波を LINE OUT と PHONES OUT L のみ に出力する。	押す 正弦波を LINE OUT と PHONES OUT L と R に出力する。	押す 正弦波を LINE OUT と PHONES OUT R のみ に出力する。

下の表に測定値を記しています。オシロスコープで綺麗な正弦波であることと、各波形の波高値が正しい事を確認して下さい。(異常が有れば、check1を参考にして下さい。)

出力の確認

		スイッチ操作		
		TRANSPOSE  押す	MONO  押す	PORTAMENTO  押す
Stereo	L	V OUT Vpp=2.5V		No Output
	R	No Output		V OUT Vpp=2.5V
Mono	L(MONO)	V OUT Vpp=1.25V	V OUT Vpp=1.5V	V OUT Vpp=1.25V

下の表に測定値を記しています。オシロスコープで綺麗な正弦波であることと、各波形の波高値が正しい事を確認して下さい。(異常が有れば、check1を参考にして下さい。)

ミュートチェック

作業:

ラインアウトにアンプをつなげます。
アンプと本体 INT スライダーボリュームは最大にします。

↓
A-70の電源ON時に、アンプからポップノイズがしないことやLCDが乱れないことを確認します。
(異常が有れば、check1を参考にして下さい。)

↓

また、電源オフ時のときも同様に確認をします。

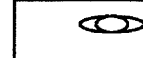


ヘッドホン出力チェック

作業:

電源オフにして、ヘッドホンとVE-GS1を本体にセットします。

↓
テストモードに入りテンキーの9を押して、キーボードテスト項目に入ります。

↓
TRANSPOSE, MONO, PORTAMENTOのスイッチを押して下図に振り当てたとおりに、ヘッドホンから音が出力していることを確認します。(異常が有れば、check2を参考にして下さい。)

スイッチ操作		
TRANSPOSE  押す	MONO  押す	PORTAMENTO  押す
ヘッドホンから右だけ聞こえます。	ヘッドホンから両方同じ音量で聞こえます。	ヘッドホンから左だけ聞こえます。

↓
ひきつづきボリュームのチェック
MONOスイッチを押して、INTスライダーボリュームを上から下まで動かして、ガリや音が絞れるかを確認します。
(異常が有れば、check3を参考にして下さい。)
↓
音声出力検査終了です。

対処方法:

check1:
VE-GS1 CONNECT RETRY
PANEL L <-> MAIN CN11 (CABLE)
PANEL L <-> JACK CN103(CABLE)
MAIN IC17, IC15, IC16
PANEL L IC2

check2:
PANEL L <-> JACK CN103 (CABLE)
MAIN Q3, Q4, Q5, Q6, Q7
MAIN DA5, DA6
PANEL L IC1

check3:
PANEL L VR701

ユーザーデータのセーブとロード

A-70のメモリーの内容を、シーケンサーやバルクデータを記録できるMIDI機器に対して送信することができます。記録されたデータはMIDI IN2でいつでも受信することができます。
・データを受信した場合、メモリーの設定は上書きされます。

この操作で、下記内容がシーケンサーに保存できます。

- ・テンポラリー・エリアのパフォーマンス/チェーンの設定
- ・マニュアル・モードの設定
- ・システムの設定 (コントローラーのアサインとユーザー・ネーム・マップを除く)
- ・コントローラーのアサイン
- ・インターナル・メモリーのパフォーマンス/チェーンすべて
- ・ユーザー・ネーム・マップ

はじめに、デバイスIDを設定します。(EDIT:SYS、E01)

1. [EXIT]を押して(インジケータ点灯)エディット・モードに切り換え、メニューまたはショートカットでDev IDを選びます。

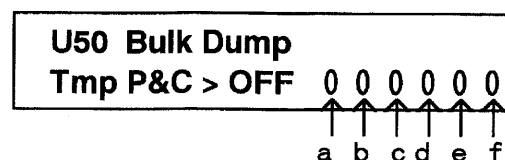
E01	Ctrl ch	Dev ID
	>16	>17

2. CURSOR [>] でカーソルを右に移動し、DATA ENTRYでデバイスID(初期設定:17)を設定します。
A-70/EX同士で送受信する場合はお互いのデバイスIDを合わせて下さい。

この設定は、システムの設定として自動的に保存されます。

次に送信する内容と出力するMIDI OUTを設定します。
(UTILITY:BLK U50)

3. [UTILITY] を押して(インジケータ点灯) ユーティリティー・モードに切り替え、メニューまたはショートカットで Bulk Dump を選びます。



- a. テンポラリー・エリアのパフォーマンス/チェーンの設定
b. マニュアル・モードの設定
c. システムの設定 (コントローラーのアサインとユーザー・ネーム・マップを除く)
d. コントローラーのアサイン
e. インターナル・メモリーのパフォーマンス/チェーンすべて
f. ユーザー・ネーム・マップ
5. MIDI OUTPUT スイッチを使用して、出力する MIDI OUT を選びます。
6. [ENTER] を押すと、送信するかどうかを確認するメッセージが表示されます。送信してもよければ [ENTER] を押します。中止する場合は [EXIT] を押します。



内部RAMの初期化

- MANUAL ボタンを押しながら電源を入れると、内蔵しているボイスエキスパンションボードを自動判別し、そのエキスパンション用にイニシャライズされます。CHAIN ボタンを押しながら電源を入れると、ボイスエキスパンションボードの有無に関わらず VE-RD1 用にイニシャライズされます。EDIT ボタンを押しながら電源を入れると、ボイスエキスパンションボードの有無に関わらずエキスパンションボードを差さない設定にイニシャライズされます。
- 各ボタンを押しながら電源を入れた後 ENTER ボタンを押すと、各設定にイニシャライズされます。

フラッシュROMのバージョンアップの方法

- ◇ A-70 はフラッシュメモリーを搭載したことで MIDI からプログラムのバージョンアップが可能です。

注意： フラッシュROMに書き込み時に電源が落ちると、フラッシュROMのデータが破壊され二度と書換えができない状態になります。その場合はROMの張り替えが必要になります。途中でA-70の電源が落ちるなどの事故が起きにくい環境で作業を進めてください。

◇用意するもの

A-70/EXバージョンアップ用ディスク
SMFプレイヤー (SB-55等 SMFが再生できればなんでもよい)
フットペダル (DP-6) × 2 (モノ空プラグ2個でも可)
MIDIケーブル

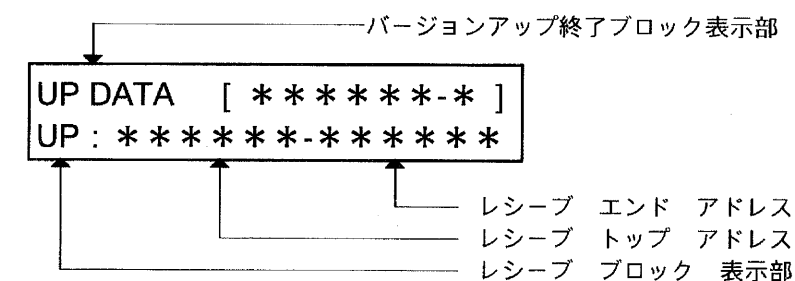
* バージョンアップディスクにはA-70のプログラムをSMFにコンバートしたものが入っています。サービスセンターから最新の物を取り寄せて下さい。

ファイルネームは
_00001.mid
_00002.mid
:
_00008.mid

となっており、_00008.mid は必ず存在し、_00001.mid ~ _00007.mid はプログラムのサイズにより存在する場合としない場合があります。

◇バージョンアップ作業

- ユーザーメモリーを必要に応じてシーケンサーにセーブしておいて下さい。バージョンアップによりユーザーメモリーの内容は失われます。
- ペダル (またはモノ空プラグ) を A-70 の HOLD と FS に接続します。
- SMFプレイヤーの MIDI OUT を A-70 の MIDI IN 2 に接続します。
- 2つのペダルを踏み、(モノ空プラグの場合は接続するだけでよい) OUT 1 ボタンを押しながら電源を入れるとLCDに



と表示され、バージョンアップモードになります。

- SMFプレイヤーでファイルネームの番号の小さいものから順に一つずつプレイします。(SB-55の場合は自動的に_00001.mid から再生されます。) レシーブ中はレシーブ ブロック/トップ アドレス/エンド・アドレスにそれぞれの情報が表示されます。

*レシーブ ブロックには
_00001.mid B1 (Block 1)
_00002.mid B2 (Block 2)
:
_00008.mid B8 (Block 8)

と表示。

*レシーブ トップ・エンド アドレスには
_00001.mid FF0000-FFFFFF
_00002.mid FE0000-FFFFFF
:
_00008.mid F80000-FFFFFF

と表示。

- ひとつのファイルをプレイし終わったら、SMFプレイヤーを一旦止めます。(SB-55の場合は連続して次のファイルをプレイし始めるので注意が必要です)

6. レシーブ トップ アドレスの下4桁が 0000 であることと、レシーブ エンド アドレスの下4桁が FFFF であることを確認して、A-70の ENTER ボタンを押すと

```
UPDATE [ ***** ]
B1:CE9A UPDATE ?
```

↑ チェックサム表示

といった表示になります。ディスクラベルのチェックサムと照合し確認後、ENTER ボタンを押すとバージョンアップが開始されます。チェックサムが異なる場合は、EXIT ボタンを押して上記3の画面に戻り、もう一度ファイルを転送して下さい。

*ENTER を押すと表示部に

ERASE → WRITE → CE9A-CE9A OK

と表示されますが、ERASE及びWRITE 中には絶対に電源を落とさないよう御注意願います。最悪の場合A-70が立ち上がらなくなることがあります。

7. バージョンアップが終了すると

```
UPDATE [ 1***** ]
B1:CE9A CE9A OK
```

と表示され、ブロック1がバージョンアップ出来たことを示すバージョンアップ終了ブロック表示部にブロックのNoが表示されます。

8. ENTER を押すと

```
UPDATA [ 1***** ]
** : *****-*****
```

といった表示になりますので、ここで次のファイルを送信してください。

9. 上記 4から8の作業を全てのファイルを転送するまで行なって下さい。
全てのブロックのバージョンアップが終了すると

```
UPDATA [ 12345678 ]
** : *****-*****
```

といったようにバージョンアップ終了ブロック表示部から* がなくなります。この状態を確認の後、電源を落として下さい。

◇バージョンアップ後の調整

バージョンアップにより、A-70のユーザーメモリーは失われています。このために調整が必要です。調整が必要なものは

- ベンダー値設定
 - ユーザーメモリーの初期化
 - ユーザーメモリーへのカードからのロード (必要に応じて)
- です。

1. ベンダーのセンター合わせ
テストモード項目のベンダー値設定 (5番) を参照して下さい。
2. ユーザーメモリーの初期化
内部RAMの初期化の項目を参照して下さい。
必要に応じてシーケンサーからデータをロードして下さい。
ユーザーデータのセーブとロードの項目を参照して下さい。