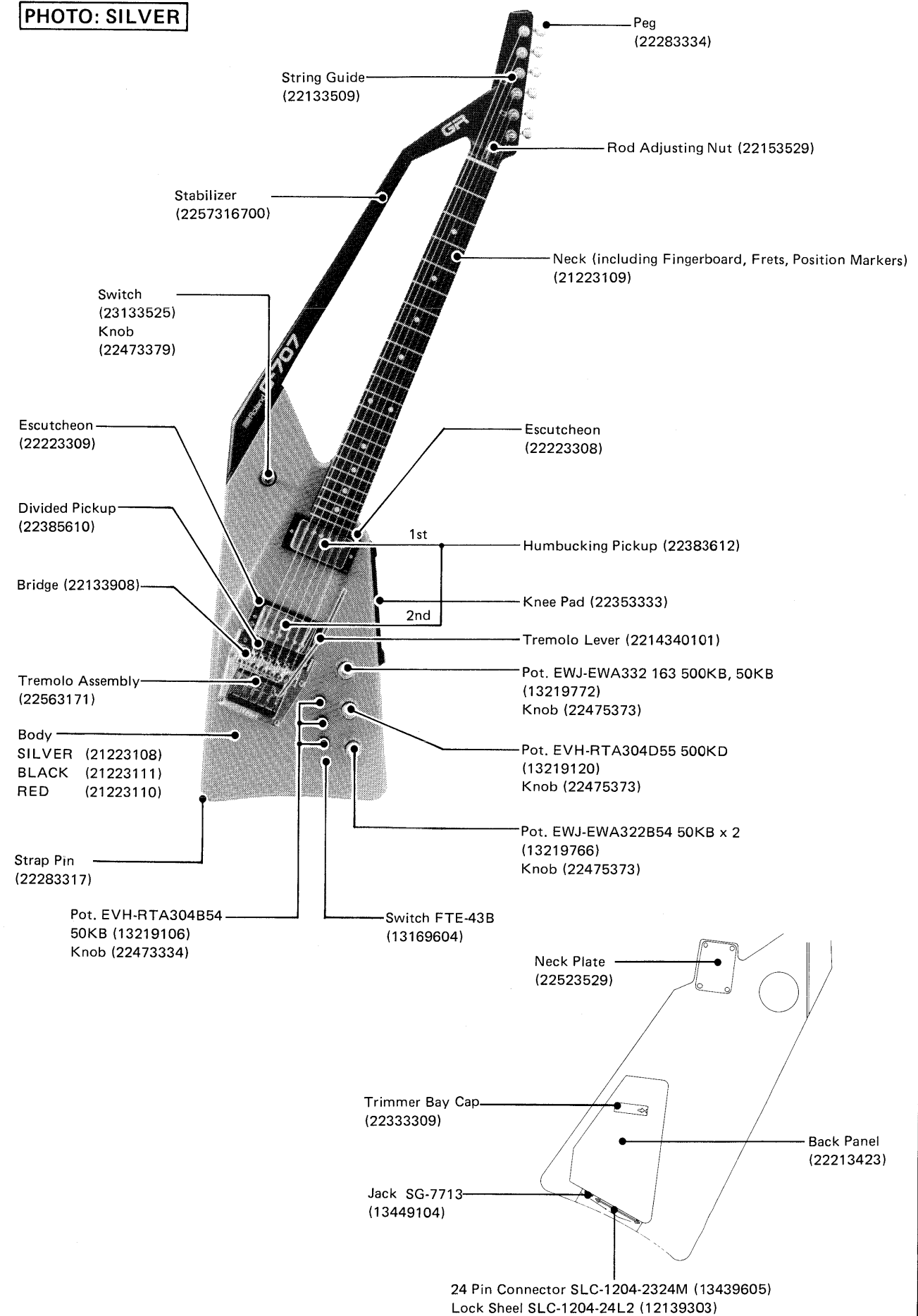


G-707

SERVICE NOTES

First Edition

PHOTO: SILVER



PARTS LIST

PICKUP

- 22385610 Divided
- 22383612 Humbucking

TREMOLO UNIT

- 22563171 Tremolo Ass'y
(including the following
two subassemblies)
- 22133323 Rolling Tailpiece
- 2235333202 Base
- 2214340100 Tremolo Lever
- 22133908 Bridge Ass'y

PCB ASSEMBLY

- 7921702002 Preamp Board
(pcb 2291385303)

POTENTIOMETER

- 13219120 EVH-RTA304D55 500KD
GUITAR TONE
- 13219106 EVH-RTA304B54 50KB
COF, EDIT (RESONANCE),
LFO (VIBRATO DEPTH)
- 13219772 EWJ-EWA322 163 500KB,50KB
MASTER VOLUME
- 13299190 H0615C119-47KB trimmer
- 13219766 EWJ-EWA322B54 50KBx2
BALANCE

IC

- 15189136 M5218L
- 15159104T1 TC4011BP

DIODE

- 15019103 1S-2473

SWITCH

- 13169604 FTE-43B MODE
- 23133525 toggle
- GUITAR PICKUP SELECTOR

JACK, CONNECTOR

- 13439605 SLC-1204-2324M connector
- 12139303 SLC-1204-24L2 Lock Shell
- 13449104 SG-7713 jack

KNOB

- 22475373 clear
- 22473334
- 22473379 toggle Switch

HEAD

- 22283334 Peg
- 22133509 String Guide
- 22153101 String Guide Post
- 22153529 Rod Adjusting Nut

BODY

- 21223108 SILVER
- 21223111 BLACK
- 21223110 RED

NECK (including Fingerboard, Frets, Position Markers)

- 21223109

STABILIZER

- 2257316700

LEFT HANDER GUITAR PARTS

- 21223112 Body
- 21223113 Neck (including
Fingerboard, Frets and
Position Markers)
- 22573190 Stabilizer
- 22213443 Back Panel
- 22563178 Tremolo Block Ass'y
(including the following
parts)
- 22353335 Base
- 22133326 Rolling Tailpiece
- 22173158 Leaf Spring
- 22283316 Peg
- 7922000000 Preamp Board
(pcb 22923152)
- 22143403 Tremolo Lever

OTHERS

- 22910167 Flexible pcb
- 22223308 Escutcheon
- 22223309 Escutcheon
- 22663107 Sheet VOLUME (SILVER,
RED version)
- 22663109 Sheet VOLUME
(BLACK version)
- 22353333 Knee Pad
- 2216352800 Spacer
- 22523529 Neck Plate
- 22213423 Back Panel
- 22243528 Switch Cover
- 22333309 Trimmer Cap
- 22283317 Strap Pin

CHECKING AND ADJUSTING

Before checking and adjusting a given guitar controller, first always tune the guitar to playing pitch with a full set of strings will be used on the guitar. Check the guitar in the order described below and adjust as necessary.

STRING HEIGHT

1. NECK

1-1. With a string pressed at the 1st and the 18th frets check the distance between the 8th fret top and bottom of the string: it must be 0.1–0.3mm (0.004 – 0.012 in).

1-2. Adjust the truss rod as necessary.

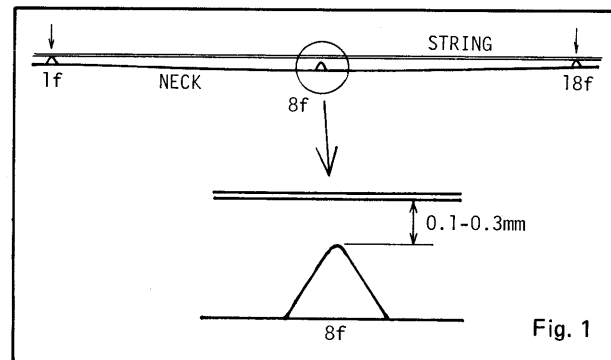


Fig. 1

2. BRIDGE

2-1. With all strings open measure the distance between bottom of the 1st string and the top of the 14th fret. It must be 1.5mm (1/16 in).

2-2. Also check for the 6th string in the same manner: it must be 2.0mm (0.08 in).

2-3. If not, adjust the height of the bridge as below.

2-4. Loosen screws B (not found on early products). Then turn screws A with a hex wrench for the specified clearances.

2-5. If the string comes in touch with a pickup(s), lower the pickup.

2-6. Tighten screws B.

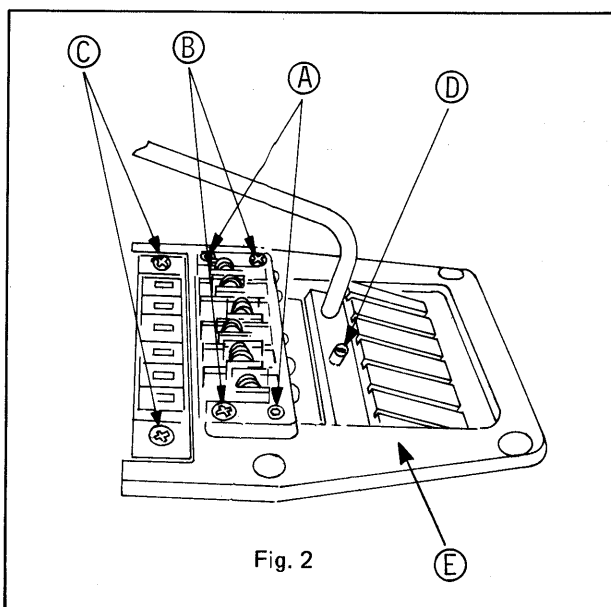


Fig. 2

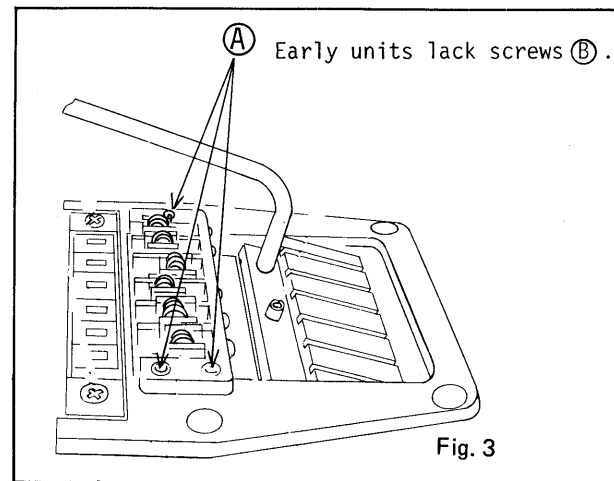


Fig. 3

3. DIVIDED PICKUP

At least three points should have the specified clearance above the pickup head.

However, if all the points cannot meet the values, priority is given to the closest one to allow for 0.5mm minimum with sacrifice of the others which will have the chance of being compensated for in the later adjustment (PICKUP SENSITIVITY).

3-1. With the all strings pressed at the 22nd fret, first adjust the pickup height to obtain the distances shown in Fig. 4 by turning screws C.

3-2. Check the other strings for height from the corresponding head. If there is a gap which is less than 0.5 mm, lower the pickup at either side.

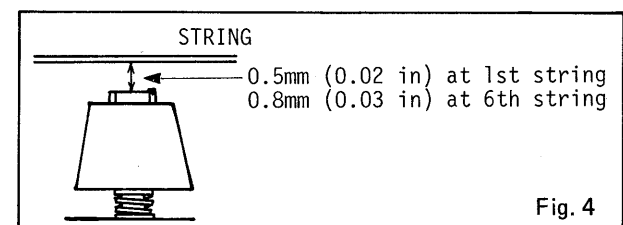


Fig. 4

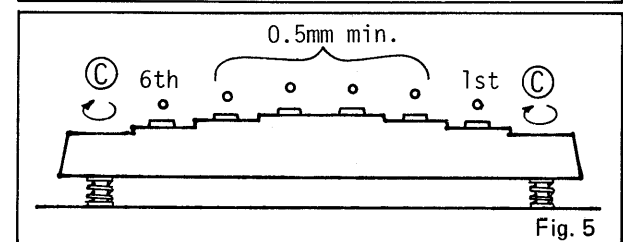


Fig. 5

4. HUM-BUCKING PICKUP

4-1. With the 1st string pressed at the 22nd fret, check the distance between the pickup top and the bottom of 1st string. It must be 2.5mm (0.1 in).

4-2. In the same manner check the 6th string for the clearance. It must be 3.0mm (0.12 in).

4-3. Adjust the height of the pickup for the above clearances.

No checks are required for the 3rd to 5th strings.

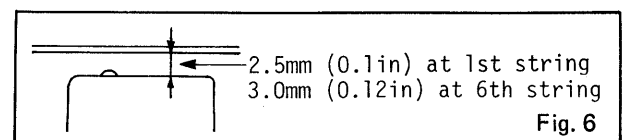


Fig. 6

DIVIDED PICKUP SENSITIVITY

Sensitivity of the divided pickup should be adjusted whenever it is a replacement or seems to have been affected by:

- * Changing or adjusting of Neck, Fingerboard, Bridge or Truss rod, etc.
- * Missetting of sensitivity itself.

CAUTION This adjustment must be done only after completion of previously mentioned adjustments and tuning of both G-707 and GR-700..

1. Expose the trimmer bay by removing trimmer cap from the rear panel of G-707.
2. Set the trimmers to the center position.
3. Set G-707 MODE to III.
4. Connect G-707 to the GR-700 and select a preset which reproduces a fast attack with a steady pitch. Press DYNAMICS VCA.
5. Give the hardest pluck which may be given in normal playing and adjust each trimmer for the maximum volume yet having firm pitch.
6. Listen individual strings for detecting the softest one and adjust the remaining with the corresponding trimmers for even outputs.

TREMOLO ARM

CAUTION Tremolo arm must be adjusted with a full set of strings to be used installed on the guitar and tuned to playing pitch.

1. Adjust worm screw D so that the edge F of rolling tailpiece is flush with top surface E of the base. (Also see Fig. 2.)

* Setting the edge above the base will result in string breakage during tremolo play, if excessively stroked.

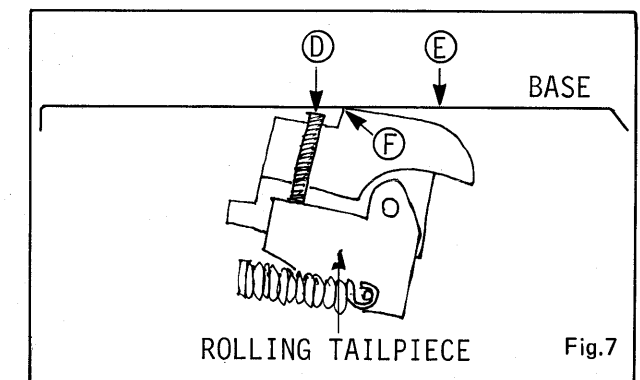


Fig. 7

ELIMINATING BUZZ AT BRIDGE SADDLE

If there is a buzzing saddle at the bridge, it can be silenced.

With the guitar ready for playing;

1. Prepare alcohol soluble adhesive of a kind used for shake-proofing screws, nut, etc. Thin adhesive to 50%.
2. Using toothpick or the like, apply a drop of adhesive around lower outside of the saddle to fill void between bridge.
3. Allow for 10 minutes for curing prior to further work.

Location	Part Number	Description
1	21223108	Guitar Body
2	21223109	Neck, Fingerboard, Frets and Position Markers
3	22573167	Stabilizer
4		
5		
6		
7		
8		
9		
10		
11	22283334	Peg
12		Peg Nut
13		Peg Washer
14	22133509	String Guide
15	22153101	String Guide Post
16	22153529	Rod Adjusting Nut
17	22163528	Spacer
18	22353333	Knee Pad
19	22475373	Knob
20	22473334	Knob
21	22473379	Knob
22	22663107	Volume Sheet (SILV, RED)
	22663109	Volume Sheet (BLK)
23	22523529	Neck Plate
24	12139303	Lock Shell SLC-1240-24L2

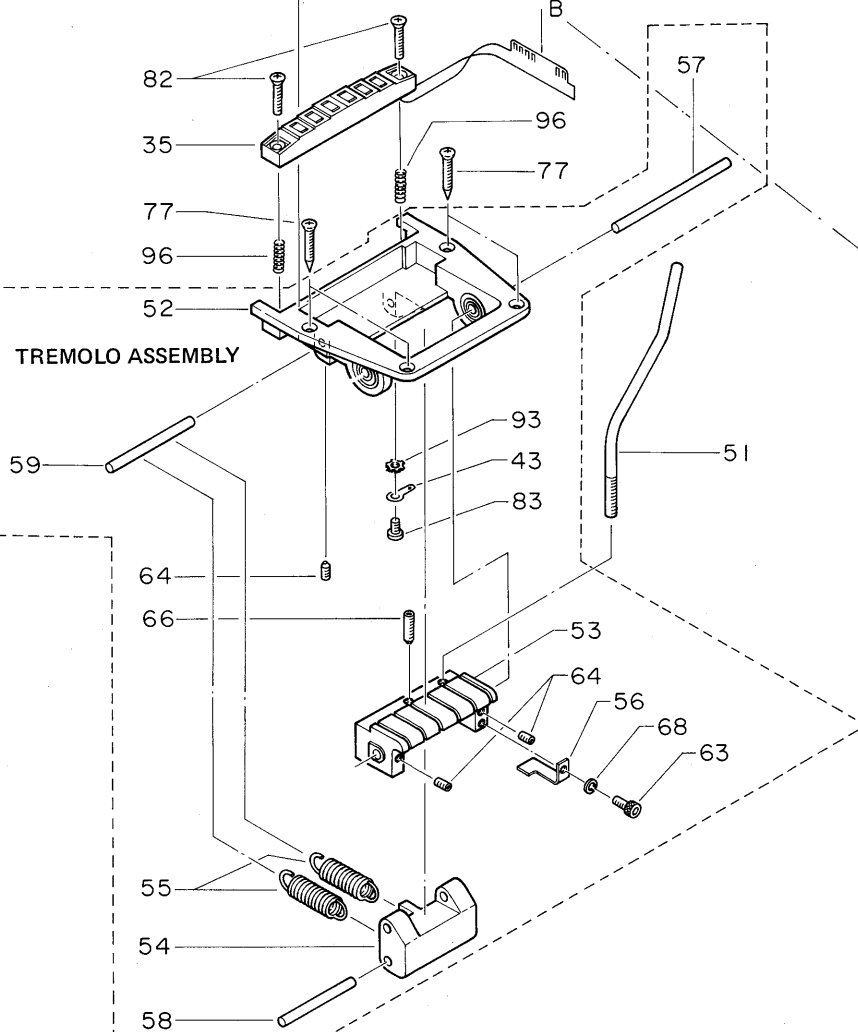
Location	Part Number	Description	7	8	9	10	11	12	13	14	15	16	17	18	19	20	21	22	23	24	25	26	27	28	29	30	31	32	33	34	35	36	37	38	39
----------	-------------	-------------	---	---	---	----	----	----	----	----	----	----	----	----	----	----	----	----	----	----	----	----	----	----	----	----	----	----	----	----	----	----	----	----	----

25	22243528	Switch Cover
26	22213423	Rear Cover Plate
27	22333309	Trimmer Bay Cap
28		Felt Washer
29	22283317	Strap Pin
30		
31	22383612	Humbucking Pickup
32	22223308	Escutcheon (upper)
33	22223309	Escutcheon (lower)
34	22113801	Touch Plate
35	22385610	Divided Pickup
36	23133525	Toggle Switch
37	7921702002	Preamp Board
38	13449104	Jack SG-7713
39		Jack Nut
40	13439605	Connector 2324M
41	22910167	Flexible PCB N-167
42	22263309	Cushion
43		Soldering lug B4
44		
45		
46		
47		
48		
49		
50		
51	2214340101	Tremolo Lever
52	2235333202	Base
53	22133323	Rolling Tailpiece
54	22133324	Tension Adjuster
55	22173150	Tension Spring
56	2217315101	Leaf Spring
57	22143821	Tailpiece Shaft
58	22143822	Tension Adjuster Shaft
59	22143823	Base Shaft
60	2213390901	Bridge
61	22563169	Saddle
62	2217315201	Saddle Spring
63		Hex Socket Screw

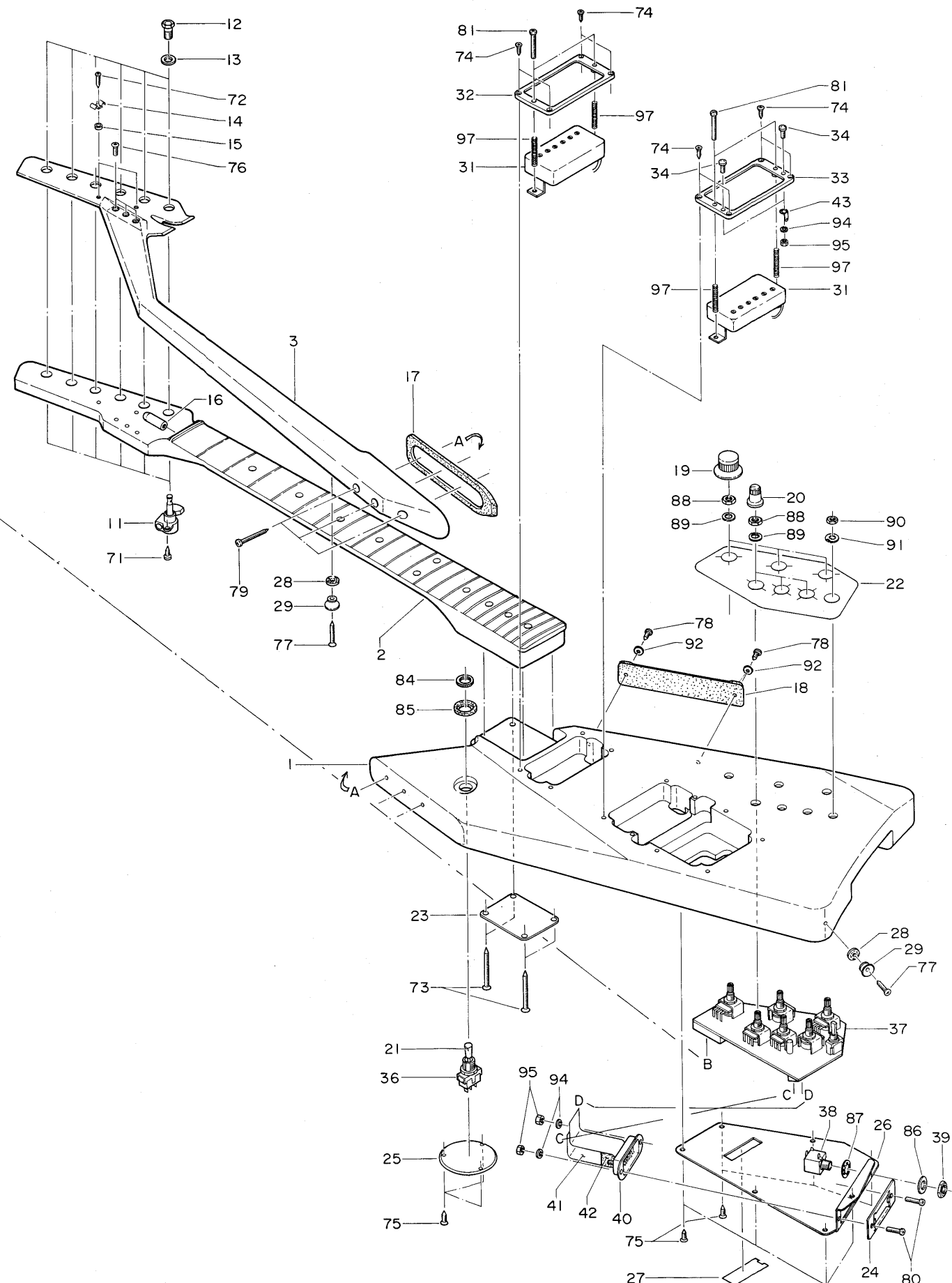
SCREW, NUT, WASHER, etc.

Location	Description
64	3 x 6 mm Black Hex Socket Set
65	5 x 12 mm Black Hex Socket Set
66	5 x 15 mm Black Hex Socket Set
67	3 x 20 mm Chrome Screw Pan
68	3 mm Black Split Lock Washer
69	
70	
71	2.4 x 10 mm Nickel Wood
72	2.4 x 15 mm Black Wood
73	4 x 45mm Nickel Wood Oval
74	2.3 x 12 mm Black Tapping Flat
75	2.6 x 10 mm Black Tapping Flat
76	3 x 15 mm Black Tapping Flat
77	3.5 x 25 mm Nickel Tapping Oval
78	3 x 10 mm Black Tapping Binding
79	3.5 x 30 mm Black Tapping Pan
80	3 x 16 mm Nickel Screw Pan
81	3 x 30 mm Nickel Screw Pan
82	3 x 20 mm Nickel Screw Oval
83	3 x 6 mm Screw Binding
84	22283502 Toggle Switch Nut
85	22133803 Toggle Switch Washer
86	Jack Washer
87	9 mm Internal Tooth Washer
88	Volume Nut
89	Volume Washer
90	Switch Nut
91	Switch Washer
92	Flat Washer
93	3 mm External Tooth Washer
94	3 mm Split Lock Washer
95	3 mm Nut
96	1.6 x 3.2 x 16 mm Coil Spring
97	1.6 x 3.2 x 30 mm Coil Spring

BRIDGE ASSEMBLY



Some detailed parts will be supplied together with associated components in a set or in a subassembly.
Expl. Rolling Tailpiece (53) may come with 54, 56, 58, 63, 64, 66 and 68.



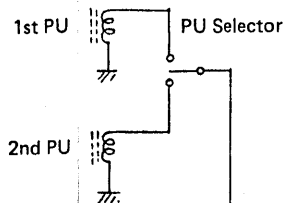
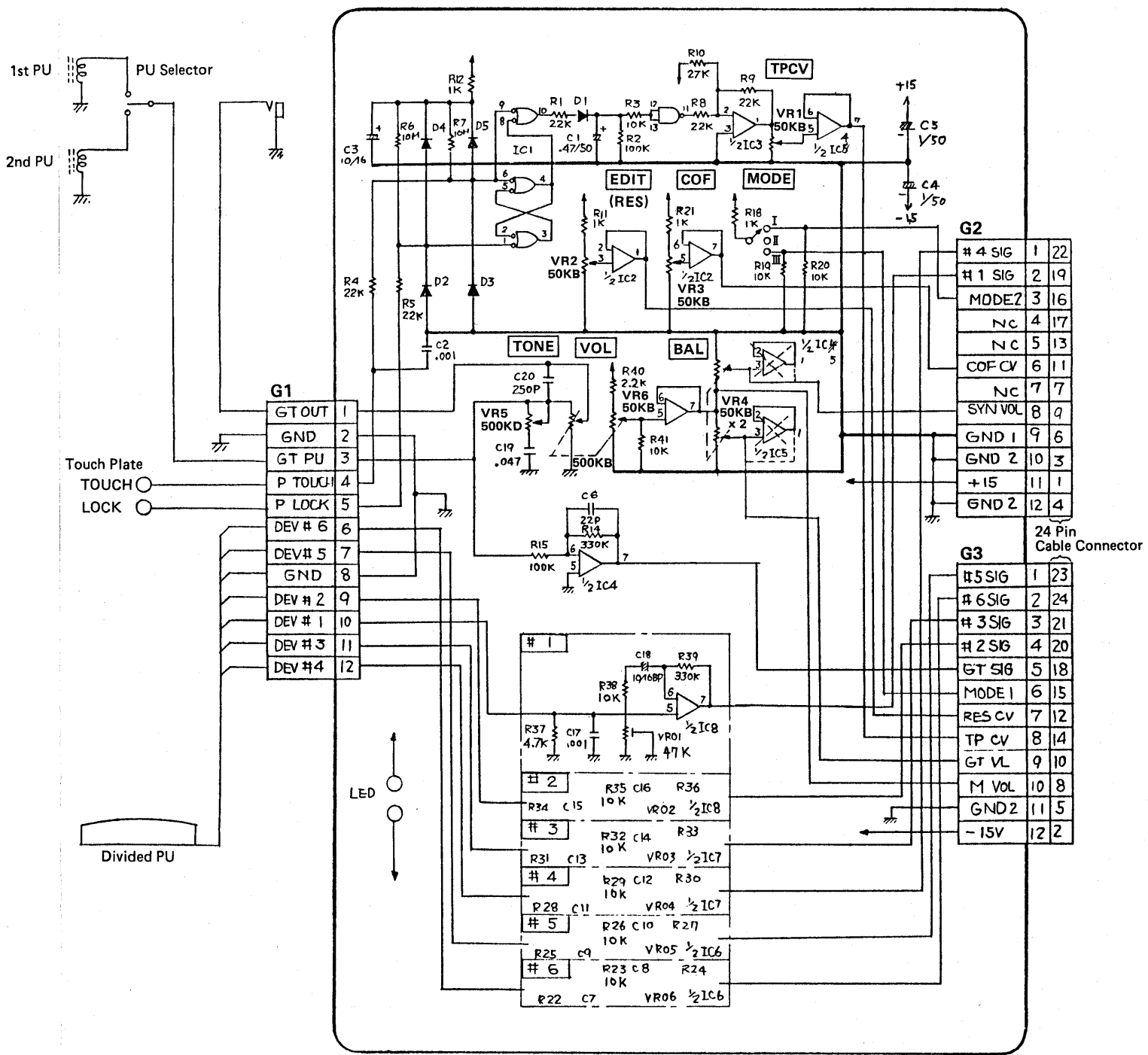
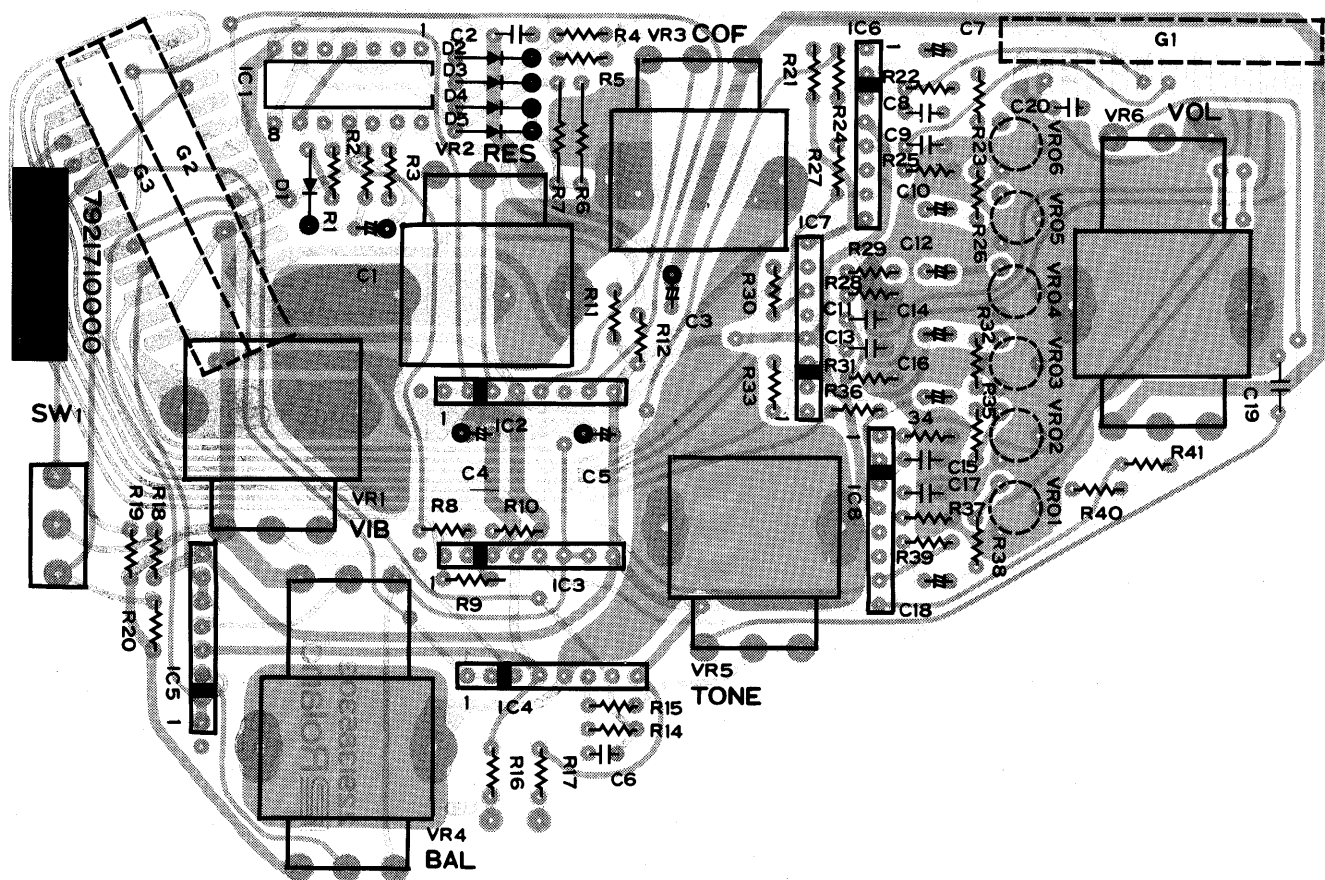
A
B
C
D
E
F
G
H
I
J
K
L
M
N
O
P
Q
R
S
T
U

PREAMP BOARD

7921702002
(pcb 2291385303)

1 2 3 4 5 6 7 8 9 10 11 12 13 14 15 16 17 18 19 20 21 22 23 24 25 26 27 28 29 30 31 32 33 34 35 36 37 38 39

A
B
C
D
E
F
G
H
I
J
K
L
M
N
O
P
Q
R
S
T
U



G1

GT OUT	1
GND	2
GT PU	3
P TOUCH	4
P LOCK	5
DEV # 6	6
DEV # 5	7
GND	8
DEV # 2	9
DEV # 1	10
DEV # 3	11
DEV # 4	12

G2

# 4 SIG	1	22
# 1 SIG	2	19
MODE Z	3	16
NC	4	17
NC	5	13
COF CV	6	11
NC	7	7
SYN VOL	8	9
GND 1	9	6
GND 2	10	3
+15	11	1
GND 2	12	4

G3

# 5 SIG	1	23
# 6 SIG	2	24
# 3 SIG	3	21
# 2 SIG	4	20
GT SIG	5	18
MODE 1	6	15
RES CV	7	12
TP CV	8	14
GT VL	9	10
M VOL	10	8
GND 2	11	5
-15V	12	2

24 Pin Cable Connector

D1-D5 : 1S2473
 IC1 : TC4011
 IC2-8 : M5218L