

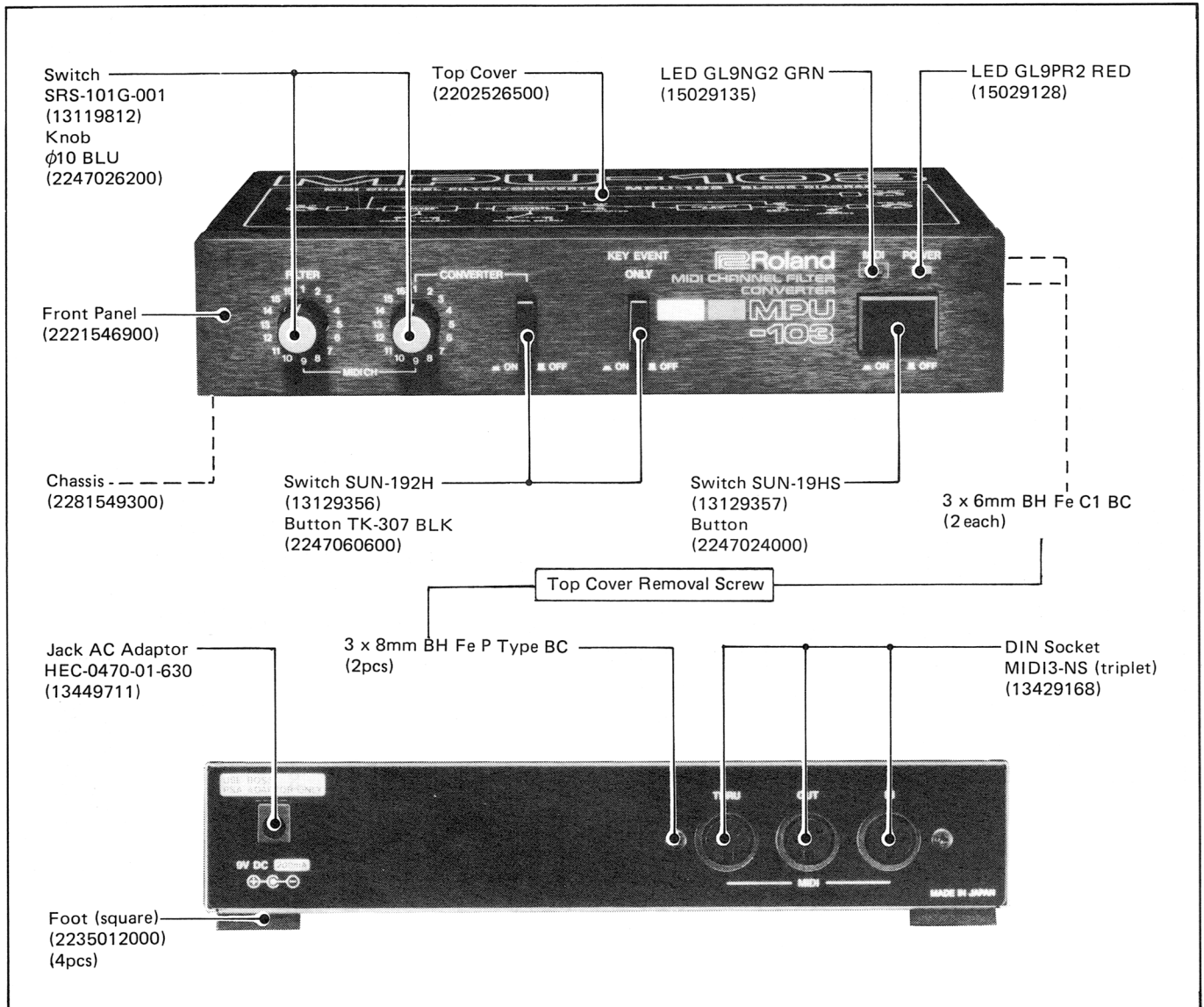
MPU-103

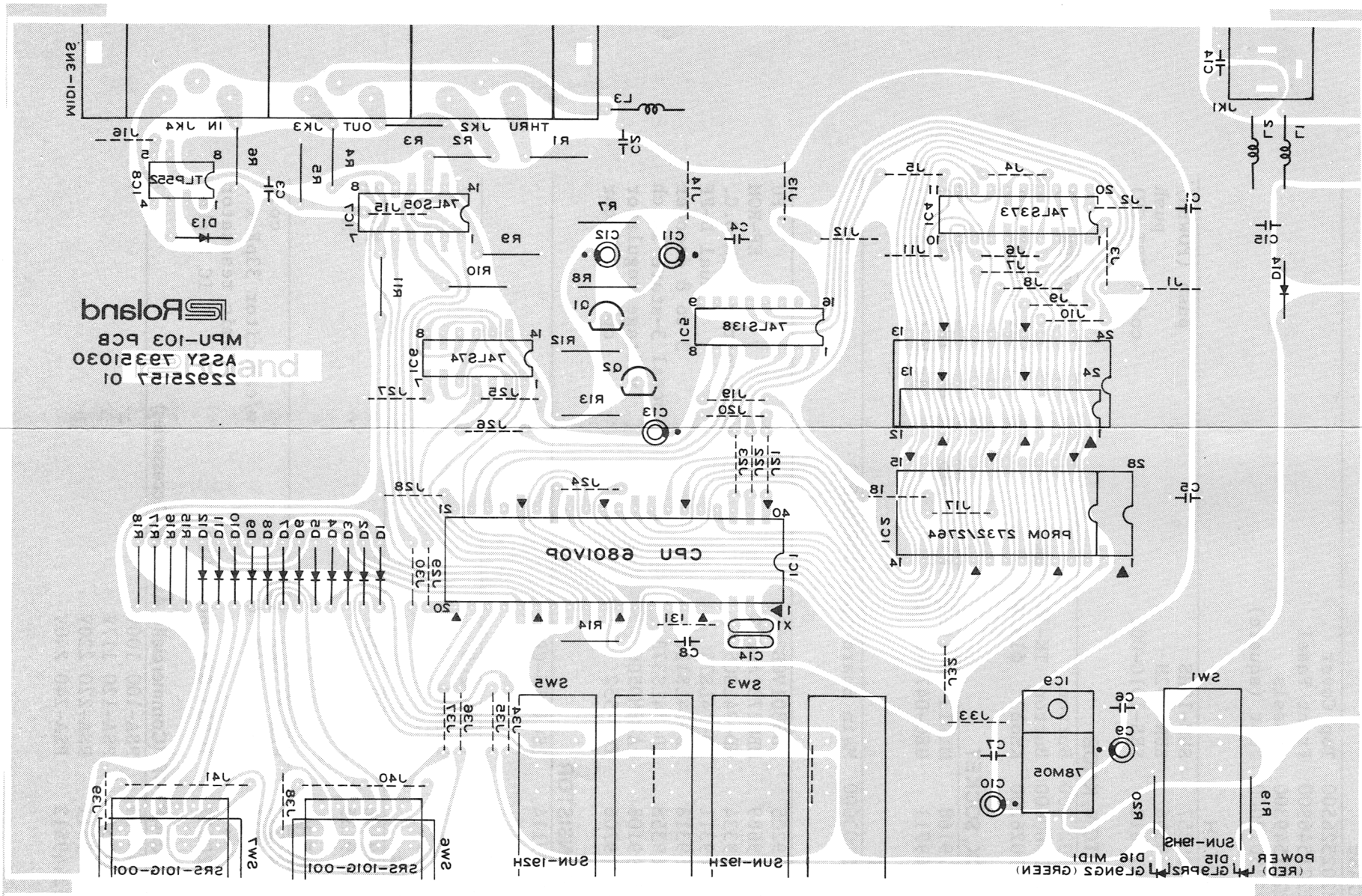
SERVICE NOTES

First Edition

SPECIFICATIONS

- Power : 9V DC (AC Adaptor PSA-120,220 or 240)
- Current Draw : 200mA @9V
- Dimensions : 218(W) x 46(H) x 167(D)mm /
8-9/16(W) x 1-13/16(H) x 6-9/16(D)in
- Weight : (without AC Adaptor) 930g / 2 lb 1 oz
- Accessories : AC Adaptor PSA-100, 120, 220 or 240



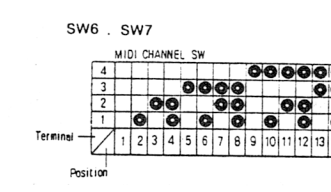
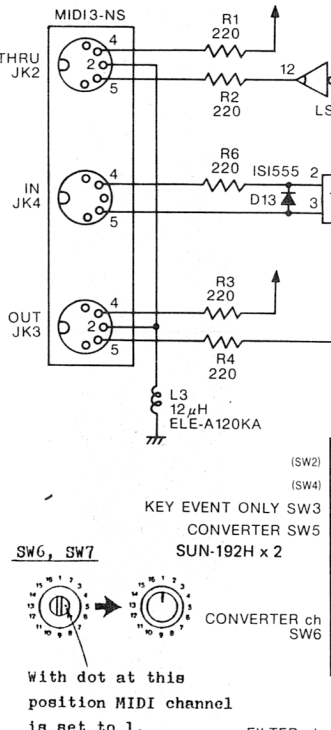
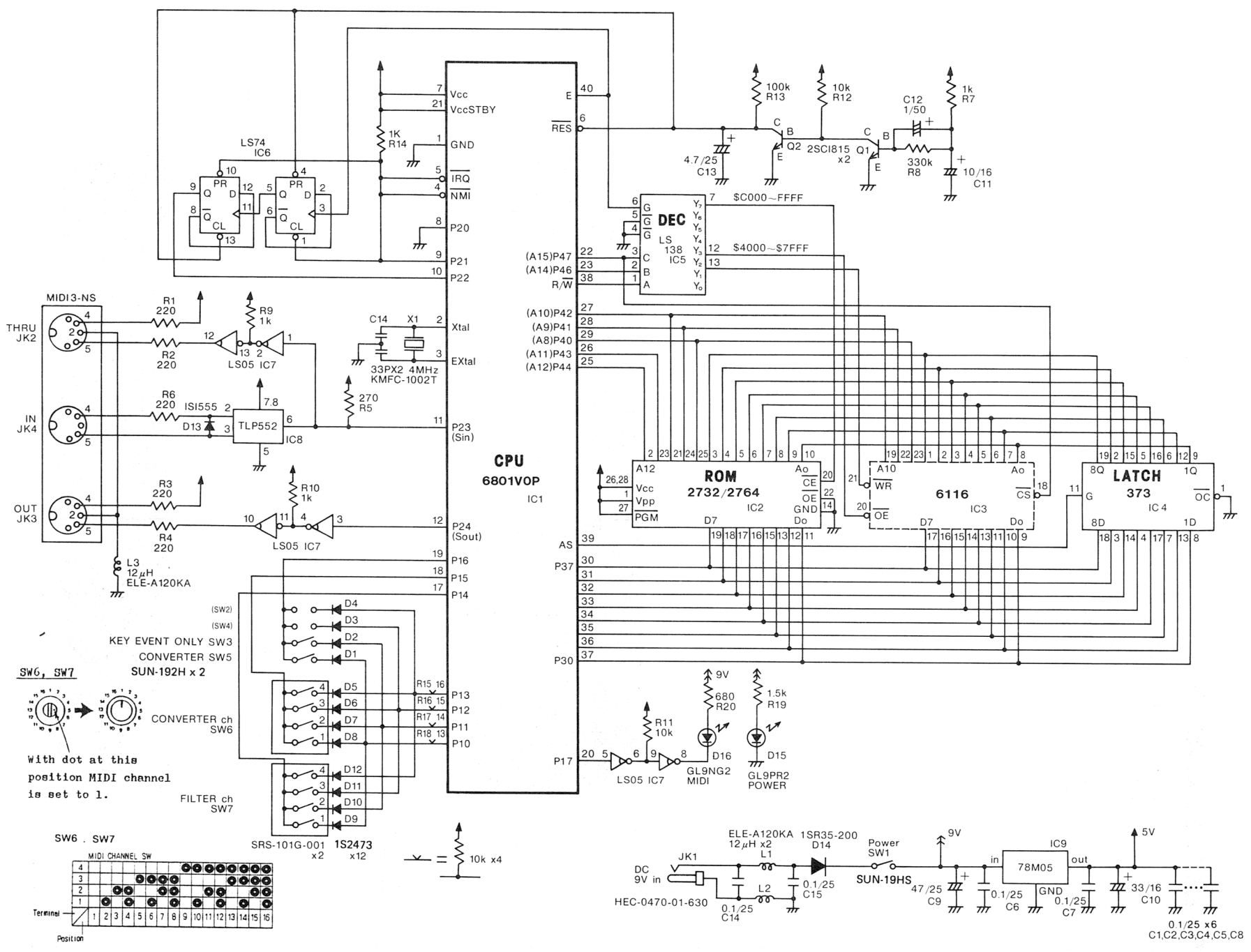


Roand
MPU-103 PCB
ASG 79351030
SSAS17 01

(RED) TRANSISTORS (GREEN)
POWER DIS
SUN-19HS
DIE MIDI
IC9
18M02
C10
C11
C12

View from foil side

CIRCUIT DIAGRAM



PARTS LIST

CASE

2202526500	Top Cover
2221546900	Front Panel
2281549300	Chassis
2235012000	Foot (square)

SWITCH

13129357	SUN-19HS	push (POWER)
13129356	SUN-192H	push
13119812	SRS-101G-001	code (MIDI CH)

BUTTON, KNOB

2247024000	Button	(POWER SW)
2247060600	Button TK-307 BLK	
2247026200	Knob ϕ 10 BLU	rotary (MIDI CH)

JACK, SOCKET

13429168	MIDI3-NS (triplet)	DIN socket (THRU, OUT, IN)
13449711	HEC-0470-01-630	jack (AC Adaptor)

PCB

7935103000	Main Board (pcb 22925157)
------------	---------------------------

IC

15179205	HD6801V0B24P	CPU
15179689	MBM2732A-25Z	EP-ROM
15169334	HD-74LS05	hex inverter with O.C.
15169311	HD-74LS74	dual D-FF
15169318	HD-74LS138	3 to 8 decoder
15169358	HD-74LS373	octal 3-state latch
15199108	μ A78M05UC	voltage regulator
15229706	TLP-552	opto-isolator

TRANSISTOR

15129114	2SC1815-GR
----------	------------

DIODE

15019208	1SR35-200
15019103	1S2473

LED

15029128	GL9PR2	RED	POWER
15029135	GL9NG2	GRN	MIDI

OTHERS

12449243	ELE-A120KA	12 μ H	coil
12389715	KMFC-1002T	4MHz	w/capacitor 33pF x 2 ceramic resonator
13429527	ICC05-028-360T	28P	IC Socket

AC ADAPTOR (Commercially Available Accessories)

12449509	PSA-100	100V
12449510	PSA-120	117V
12449511	PSA-220	220V
12449512	PSA-240	240V