

# A-70

EXPANDABLE CONTROLLER

## SERVICE NOTES

First Edition

Issued by RES

### TABLE OF CONTENTS

|   |       |
|---|-------|
| SPECIFICATIONS  | 1     |
| DISASSEMBLY   | 1     |
| LOCATION OF CONTROLS & REAR VIEW                          | 2     |
| EXPLODED VIEW N.1   | 3     |
| EXPLODED VIEW N.2   | 4     |
| KEYBOARD PARTS LIST                                       | 4     |
| BLOCK DIAGRAM   | 5     |
| MAIN PCB ASSY   | 6     |
| CIRCUIT DIAGRAM (MAIN PCB ASSY)                           | 7     |
| PRIMARY PCB ASSY & CIRCUIT DIAGRAM                        | 8     |
| LEFT CONTROL PCB ASSY                                     | 8     |
| CIRCUIT DIAGRAM (LEFT CONTROL PCB ASSY)                   | 9     |
| AFT PCB ASSY & CIRCUIT DIAGRAM                            | 10    |
| RIGHT CONTROL PCB ASSY                                    | 10    |
| CIRCUIT DIAGRAM (RIGHT CONTROL PCB ASSY)                  | 11    |
| POWER PCB ASSY & CIRCUIT DIAGRAM                          | 12    |
| MIDI PCB ASSY   | 12    |
| CIRCUIT DIAGRAM (MIDI PCB ASSY)                           | 13    |
| RIGHT CONTACT PCB ASSY w/RUBBER CONTACT & CIRCUIT DIAGRAM | 14    |
| LEFT CONTACT PCB ASSY w/RUBBER CONTACT & CIRCUIT DIAGRAM  | 14    |
| TEST MODE   | 15/20 |
| PARTS LIST  | 20/21 |
| TRANSLATION FROM ENGLISH INTO JAPANESE                    | 22/27 |

### SPECIFICATIONS

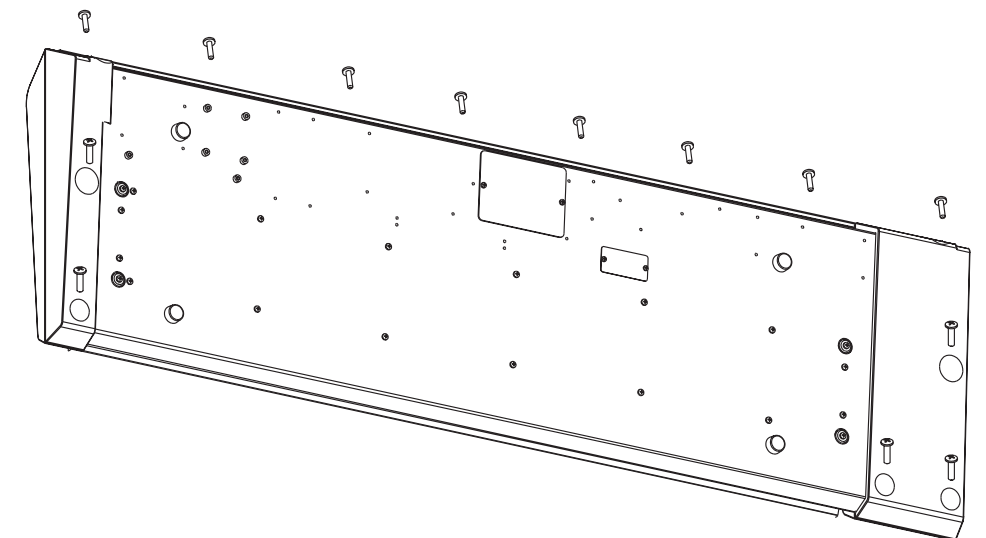
A-70/A-70EX : Expandable controller

A-70EX Sound Section (VE-RD1)

|                              |                                       |                      |
|------------------------------|---------------------------------------|----------------------|
| - Sound Generator            | PCM synthesis                         |                      |
| - Parts                      | 4 Parts                               |                      |
| - Maximum Polyphony          | 64 Voices.                            |                      |
| - Effects                    | Reverb                                |                      |
|                              | Chorus                                |                      |
|                              | Equalizer                             |                      |
|                              | Patches                               | : 128                |
| - Preset Memory              |                                       |                      |
| <b>A-70/A-70EX Common</b>    |                                       |                      |
| - Keyboard                   | 76 Keys                               |                      |
| - Zones                      | Internal                              | : 4                  |
|                              | External                              | : 4                  |
| - Internal Memory            | System Setup                          | : 1                  |
|                              | User Name Maps                        | : 4                  |
|                              | Preset Name Maps                      | : 9                  |
|                              | Performances                          | : 64                 |
|                              | Chains                                | : 10                 |
|                              | Manual                                | : 1                  |
| - Display                    | 3 Characters (backlit LCD)            |                      |
|                              | 17 Characters, 2 Lines (backlit LCD)  |                      |
| - Nominal Output Level       | Output                                | : -7dBm.             |
| - Output Impedance           | Output                                | : 1600 Ohm.          |
| - Recommended Load Impedance | Output                                | : 10 Kohm or Greater |
| - Connectors                 | Midi Connectors (in:2, thru:1, out:4) |                      |
|                              | Foot Controller Jacks:1               |                      |
|                              | Switch Jacks:1                        |                      |
|                              | Total Volume Pedal Jack               |                      |
|                              | Hold Pedal Jack                       |                      |
|                              | Output Jacks [L(Mono), R]             |                      |
|                              | Headphone Jack                        |                      |
|                              | AC Inlet (AC 100V, AC 230V, AC 240V)  |                      |
| - Power Supply               | AC 100V, AC 117V, AC 230V or AC 240V  |                      |
| - Power Consumption          | 15W (AC 100V), 17W (AC 117V)          |                      |
|                              | 20W (AC 230V), 20W (AC 240V)          |                      |
| - Dimensions                 | 1245(W) X 357 (D) X 136 (H) mm        |                      |
| - Weight                     | 16 Kg                                 |                      |
| - Accessories                | Pedal Switch:DP-2                     | (7710610000)         |
|                              | Owner's Manual (E)                    | (K6018288)           |
|                              | Owner's Manual (J)                    | (K6018291)           |
|                              | Midi Guide                            | (K6018109)           |
|                              | Midi Implementation Manual            | (K6018292)           |
|                              | △ MAINS CABLE H05VV+POL.SOCKET 230V   | (J3439150)           |
|                              | △ CABLE 49B/35JT 2X18 AWG-C17 117V    | (J3439128)           |
|                              | △ MAINS CABLE DC 545 J03 100V         | (13499108)           |
|                              | △ CABLE BS/13/H05VV-F3G 0.75-V 230VE  | (13499152RI)         |
|                              | △ CABLE SAA/3-OA3CCFC 3X0.75-V 240VA  | (13499150RI)         |
| - Options                    | Stereo Headphone                      | : RH-20/80/120:      |
|                              | Pedal Switch                          | : DP-2/6, BOSS FS 5U |
|                              | Expression pedal                      | : EV-5               |
|                              | Connecting Cable                      | : PJ-1M, PCS-100PW   |
|                              | MIDI/SYNC cable                       | : MSC-15/25/50       |
|                              | Voice Expansion board                 | : VE series          |

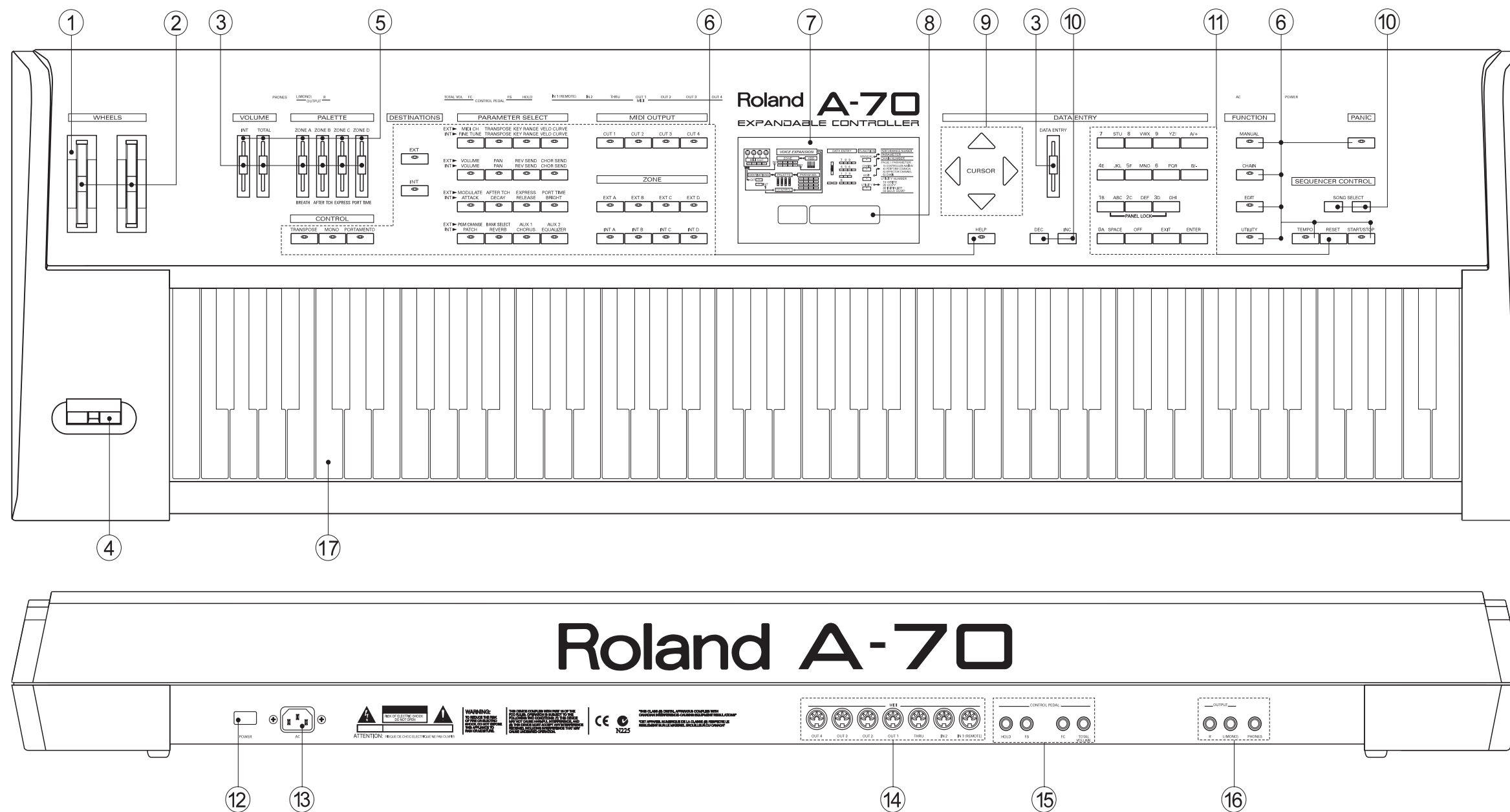


### DISASSEMBLY



SEL TAP. SCREW 3,5x16 TCTCPRBZ J2289131

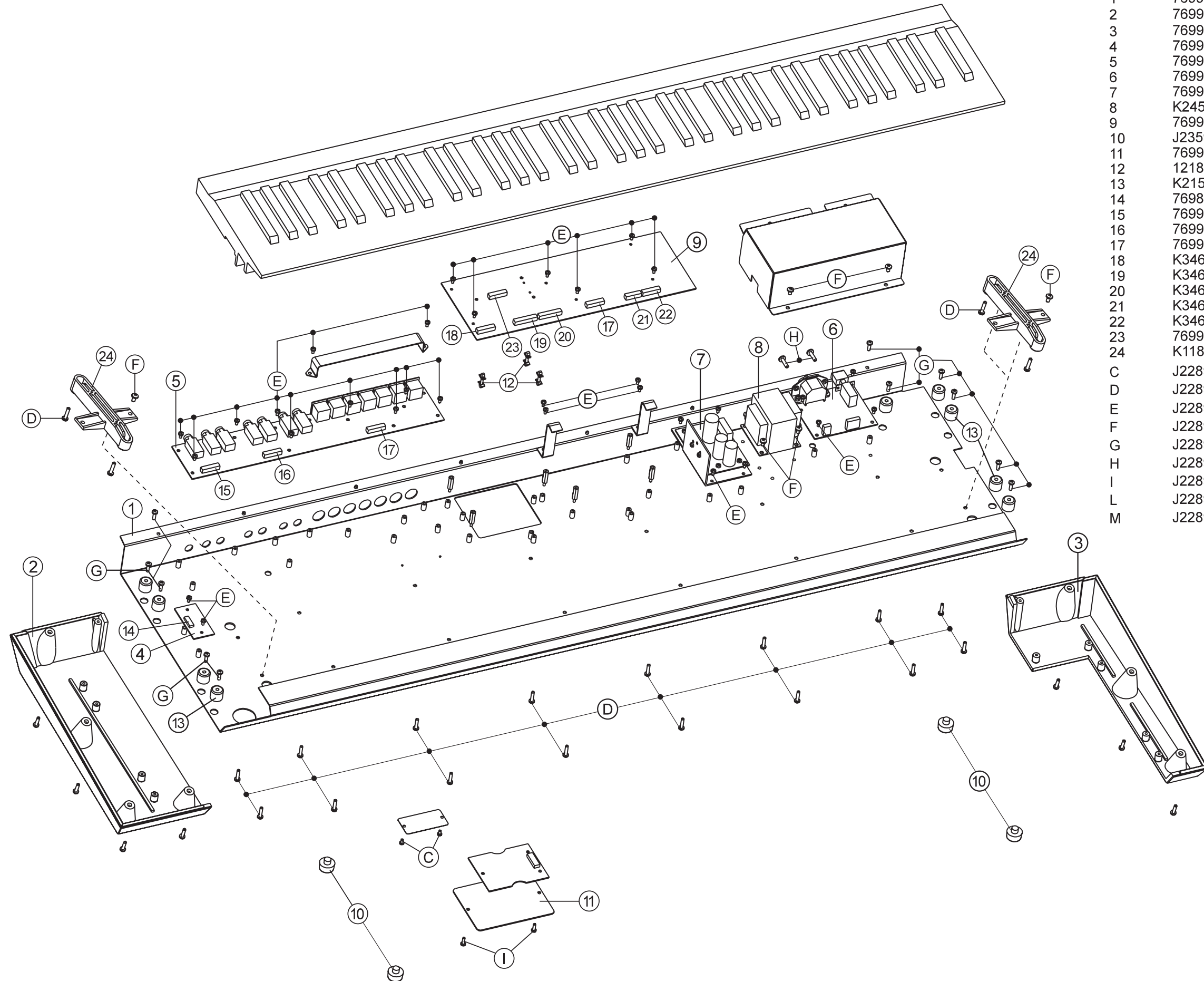
### LOCATION OF CONTROLS & REAR VIEW



### PART LIST

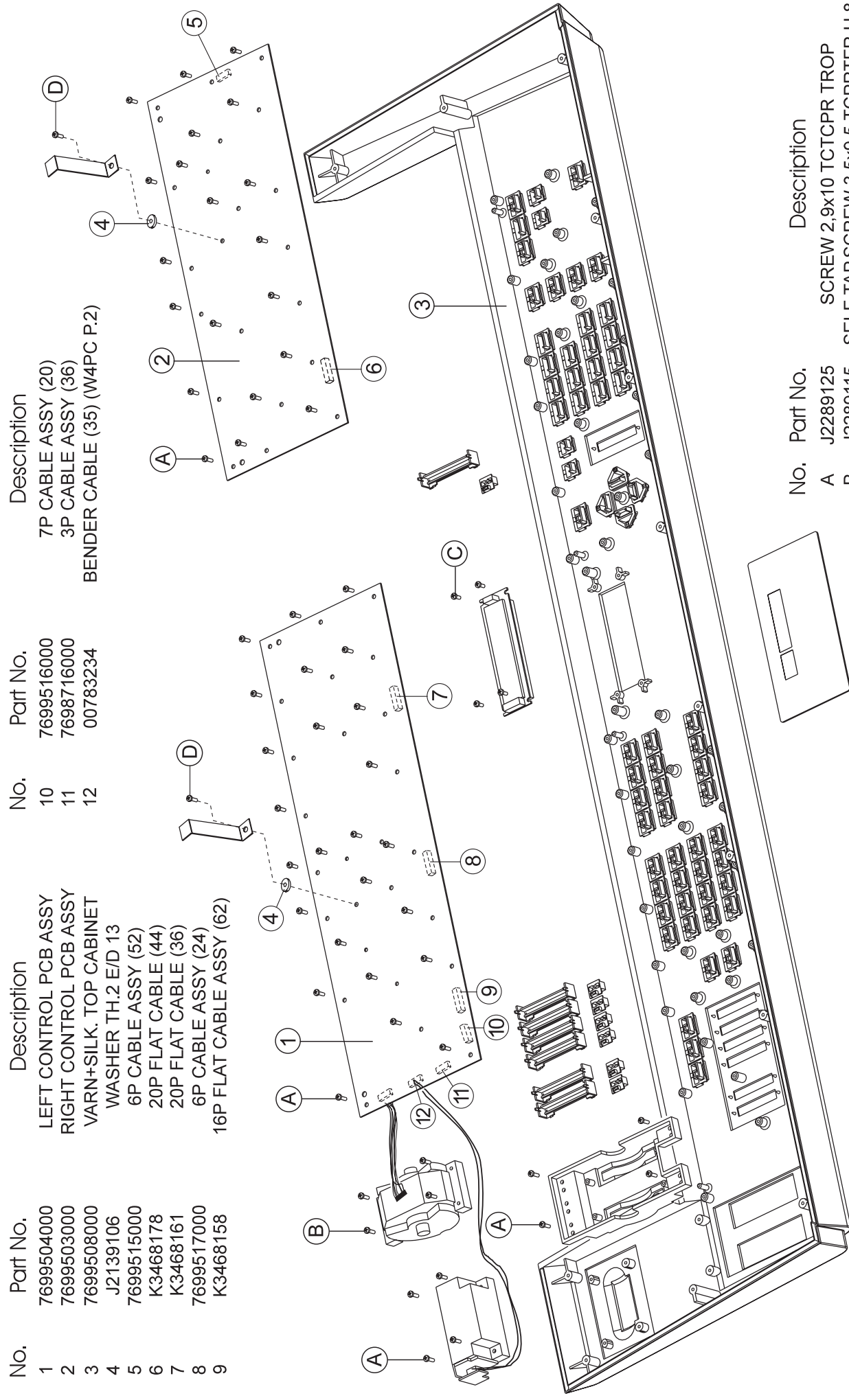
| No. | Part No.   | Description                     | No. | Part No.   | Description                      |
|-----|------------|---------------------------------|-----|------------|----------------------------------|
| 1   | 23275893   | WHEEL BW-A0000 327-893 W/CABLES | 13  | J3449103   | UNIVERSAL AC INLET ON PCB        |
| 2   | 00788990   | WHEEL CAP                       | 14  | 13429664RI | DIN SOCKET MG/PR 5L              |
| 3   | 22485253   | BLACK CAP F/POT                 | 15  | 13449125   | JACK SOCKET HLJ0520-01-110       |
| 4   | 70564101   | TURBOLESS PITCH BENDER PBH0201  | 16  | 13449126   | JACK SOCKET HLJ0520-01-010       |
| 5   | 22205543   | GUIDE F/4 POTENTIOMETERS        | 17  | 7699510000 | 76-K. WEIGHTED KEYBOARD TP/8S-AT |
| 6   | K2478200   | BUTTON GROUP 22X8+DIFF. -BLACK- |     |            |                                  |
| 7   | K2238119   | SILKSCREENED PLEXIGLASS         |     |            |                                  |
| 8   | 7699511000 | LCD ASSY                        |     |            |                                  |
| 9   | K2478255   | TRIANG. BUTTON -BLACK-          |     |            |                                  |
| 10  | K2478203   | BUTTON GROUP (4) 15x8 -BLACK-   |     |            |                                  |
| 11  | K2478202   | BUTTON GROUP (4) 22x8 -BLACK-   |     |            |                                  |
| 12  | 22488183   | POWER SWITCH KNOB N.001-BLACK   |     |            |                                  |
|     | 13129160   | SWITCH SDDLBI-TV5               |     |            |                                  |

**EXPLODED VIEW N.1**



| No. | Part No.   | Description                     |
|-----|------------|---------------------------------|
| 1   | 7699509000 | VARN+SILK. BOTTOM CABINET       |
| 2   | 7699521000 | VARN. LEFT SIDE PANEL           |
| 3   | 7699520000 | VARN. RIGHT SIDE PANEL          |
| 4   | 7699507000 | BOUNCE-TO-AFTERTOUCH ASSY       |
| 5   | 7699505000 | JACK SOCKET ASSY                |
| 6   | 7699506000 | PRIMARY ASSY 230/240V           |
| 7   | 7699502000 | POWER SUPPLY PCB ASSY           |
| 8   | K2458140   | POWER TRANSFORMER 100/240V      |
| 9   | 7699501000 | MAIN BOARD PCB ASSY             |
| 10  | J2359105   | PRESSURE RUBBER SFF-018         |
| 11  | 7699519000 | VARN. COVER F/EXPANSION BOARD   |
| 12  | 12189810   | SPRING SPACER F/PCB             |
| 13  | K2158103   | BUSHING H.14 I.D.14 E.D.16      |
| 14  | 7698716000 | 3P CABLE ASSY (36)              |
| 15  | 7699516000 | 7P CABLE ASSY (20)              |
| 16  | 7699517000 | 6P CABLE ASSY (24)              |
| 17  | 7699513000 | 11P CABLE ASSY (34)             |
| 18  | K3468158   | 16P FLAT CABLE ASSY (62)        |
| 19  | K3468161   | 20P FLAT CABLE (36)             |
| 20  | K3468178   | 20P FLAT CABLE (44)             |
| 21  | K3468177   | 16P FLAT CABLE (56)             |
| 22  | K3468152   | 20P FLAT CABLE (44)             |
| 23  | 7699514000 | 8P CABLE ASSY (44)              |
| 24  | K1188127   | SUPPORT F/KEYBOARD ASSY         |
| C   | J2289126   | SELF TAP.SCREW 2,9x8 TCTCPRBZ   |
| D   | J2289131   | SELF TAP. SCREW 3,5x16 TCTCPRBZ |
| E   | J2289193   | SELF LOCK.SCREW M3x6 TCTC H.6   |
| F   | J2289135   | SELF LOCK.SCREW M4x7 TCTC T.8   |
| G   | J2289186   | SCREW 3,5x16 TCPRTFR H.8        |
| H   | J2289213   | SELF TAP SCREW 3,9x16 TCTC      |
| I   | J2289107   | SELF LOCK.SCREW M3x6 TCTC H.6   |
| L   | J2289108   | SELF LOCK.SCREW M3x10 TCTC H.6  |
| M   | J2289113   | NUT 3MA H.3                     |

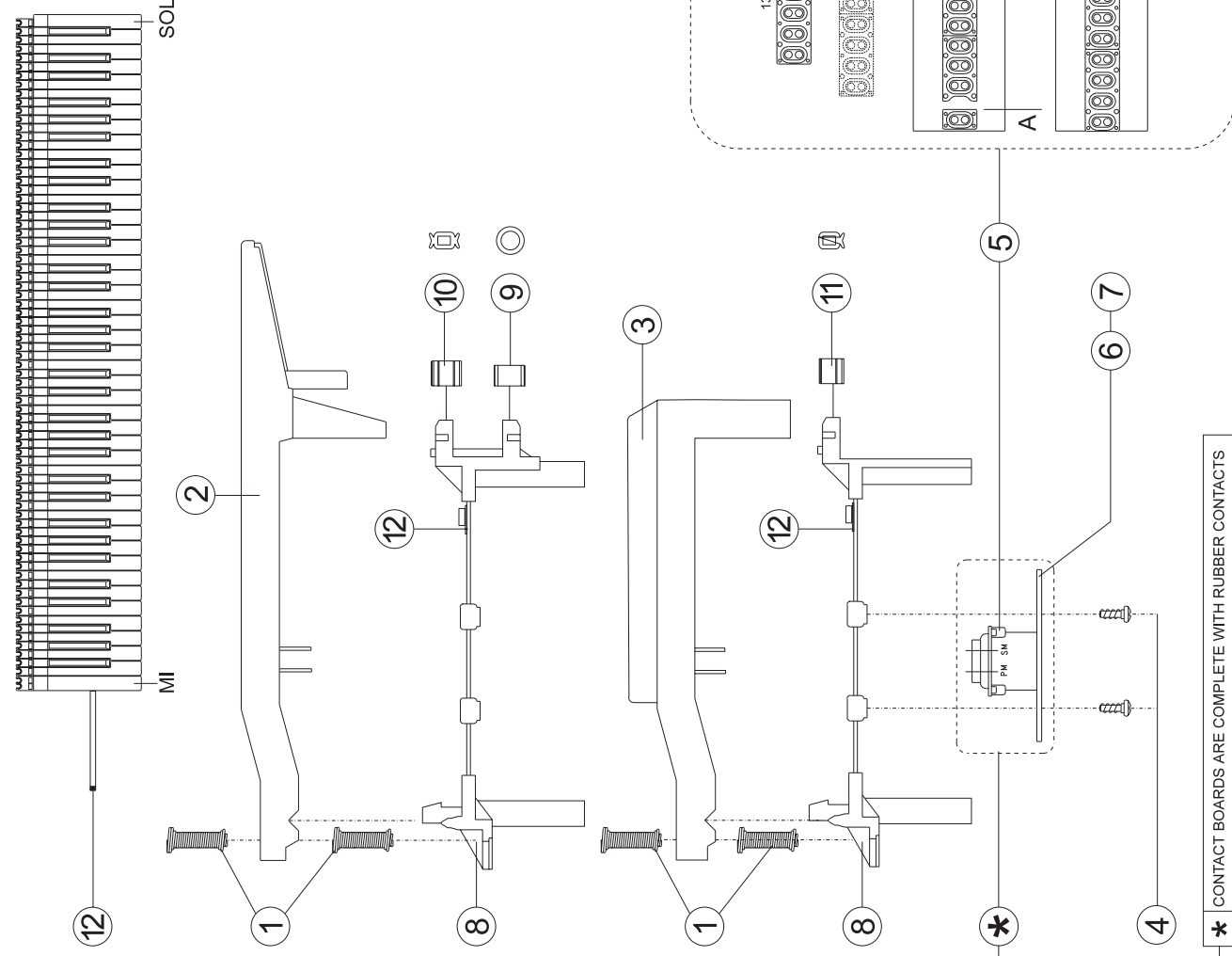
# EXPLODED VIEW N. 2



| No. | Part No.   | Description              | No. | Part No.   | Description                  |
|-----|------------|--------------------------|-----|------------|------------------------------|
| 1   | 7699504000 | LEFT CONTROL PCB ASSY    | 10  | 7699516000 | 7P CABLE ASSY (20)           |
| 2   | 7699503000 | RIGHT CONTROL PCB ASSY   | 11  | 7698716000 | 3P CABLE ASSY (36)           |
| 3   | 7699508000 | VARN+SILK. TOP CABINET   | 12  | 00783234   | BENDER CABLE (35) (W4PC P.2) |
| 4   | J2139106   | WASHER TH.2 E/D 13       |     |            |                              |
| 5   | 7699515000 | 6P CABLE ASSY (52)       |     |            |                              |
| 6   | K3468178   | 20P FLAT CABLE (44)      |     |            |                              |
| 7   | K3468161   | 20P FLAT CABLE (36)      |     |            |                              |
| 8   | 7699517000 | 6P CABLE ASSY (24)       |     |            |                              |
| 9   | K3468158   | 16P FLAT CABLE ASSY (62) |     |            |                              |

| No. | Part No. | Description                        |
|-----|----------|------------------------------------|
| A   | J2289125 | SCREW 2,9x10 TCTCPR TROP           |
| B   | J2289115 | SELF TAP.SCREW 3,5x9,5 TCRTRFR H.8 |
| C   | J2289121 | SELF TAP. SCREW 2,2x10 TCTC        |
| D   | J2289130 | SELF TAP.SCREW 2,9x13 TCTCPRBZ     |

## KEYBOARD PARTS LIST/76 KEY KEYBOARD TP/8S-AT (7699510000)



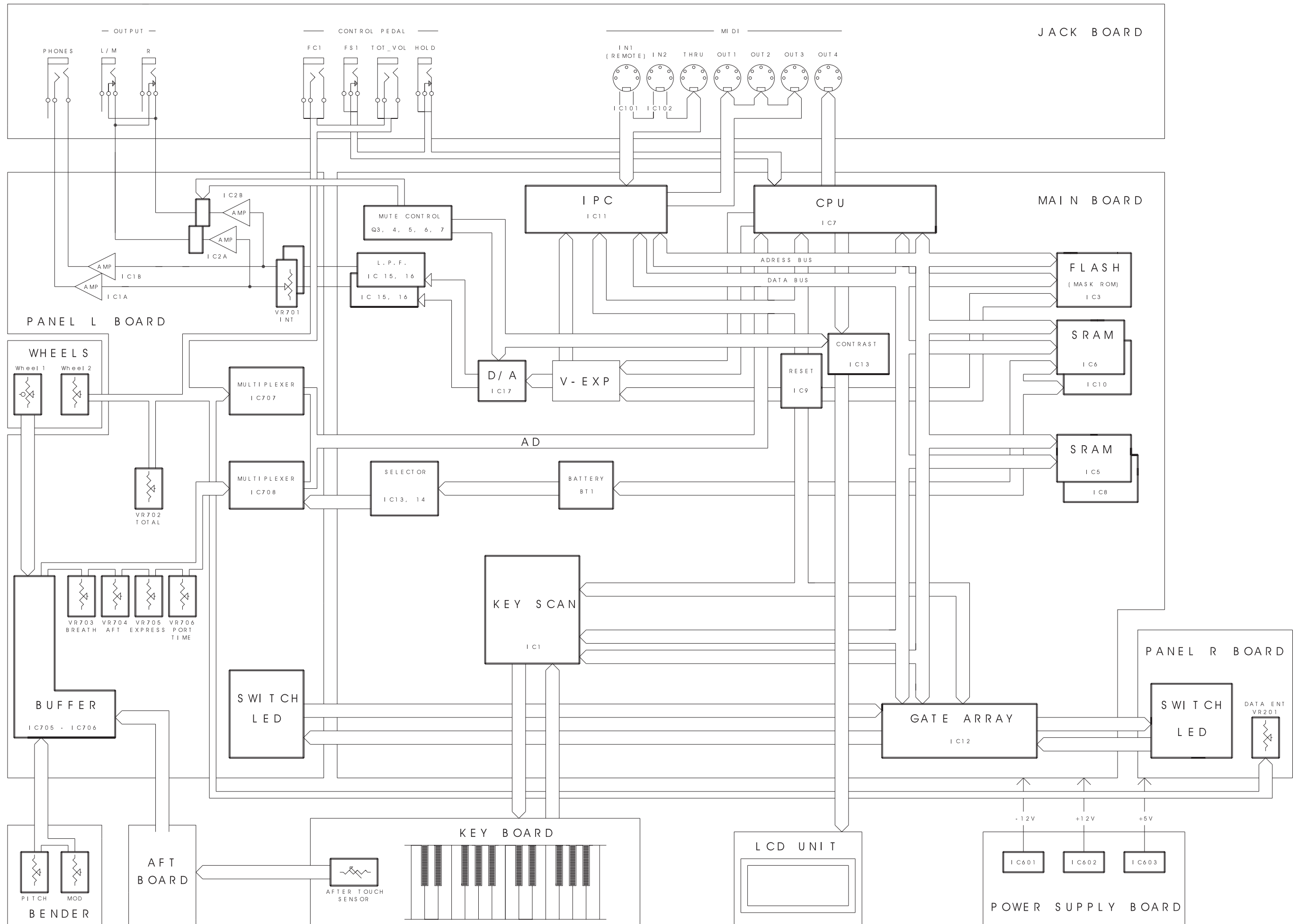
### KEYBOARD PARTS LIST

| Ref | Description                            | Code        | n.  |
|-----|--|-------------|-----|
| 1   | KEY SPRING gr60 or 122                 | J2179107    | 76  |
| 2   | NATURAL KEY C8 (gr20) TP/8S-AT MI(I)   | J2579171    | 1   |
|     | NATURAL KEY C (gr20) TP/8S-AT DO       | J2579172    | 6   |
|     | NATURAL KEY D (gr20) TP/8S-AT RE       | J2579173    | 6   |
|     | NATURAL KEY E (gr20) TP/8S-AT MI       | J2579174    | 6   |
|     | NATURAL KEY F (gr20) TP/8S-AT FA       | J2579175    | 6   |
|     | NATURAL KEY G (gr20) TP/8S-AT SOL      | J2579176    | 6   |
| 3   | NATURAL KEY A (gr20) TP/8S-AT LA       | J2579177    | 6   |
|     | NATURAL KEY B (gr20) TP/8S-AT SI       | J2579178    | 6   |
| 3   | NATURAL KEY G2 (gr20) TP/8S-AT SOL(F)  | J2579179    | 6   |
| 3   | SHARP KEY (gr16) TP/8S                 | J2579180    | 31  |
| 4   | SELF TAP SCREW 2,9x8mm TC TC PR BZ     | J2289126    | 42  |
| 5   | 13P RUBBER CONTACT                     | J3169101    | 7** |
| 6   | LEFT CONTACT PCB ASSY+RUBBER           | 76995005000 | 1   |
| 7   | RIGHT CONTACT PCB ASSY+RUBBER          | 76995004000 | 1   |
| 8   | 76-KEY KEYBOARD CHASSIS TP/8S-AT       | J2579181    | 1   |
| 9   | GUIDE BUSHING INFERIOR                 | J2359104    | 45  |
| 10  | GUIDE BUSHING SUPERIOR FOR NATURAL KEY | J2359109    | 45  |
| 11  | GUIDE BUSHING SUPERIOR FOR SHARP KEY   | J2359110    | 31  |
| 12  | SENSOR AFTER_TOUCH                     | J3169108    | 1   |

\*\* CUT AND ASSEMBLY OF RUBBER CONTACTS

\* CONTACT BOARDS ARE COMPLETE WITH RUBBER CONTACTS

# BLOCK DIAGRAM



1 2 3 4 5 6 7 8 9 10 11 12 13 14 15 16 17 18 19 20 21 22 23 24 25 26 27 28 29 30

A  
B  
C  
D  
E  
F  
G  
H  
I  
J  
K  
L  
M  
N  
O  
P  
Q  
R  
S  
T  
U**MAIN PCB ASSY**  
ASSY 7699501000**NOTE**

When you replace the MAIN BOARD or Lithium battery,  
You must reperform bender adjustment.  
Refer to [Bender value setting] item in the test mode.

For Nordic Countries

**Apparatus containing Lithium batteries****ADVARSEL!**

Lithiumbatteri - Eksplosionsfare ved fejlagtig håndtering.  
Udskiftning må kun ske med batteri af samme fabrikat og type.  
Levér det brugte batteri tilbage til leverandøren.

**ADVARSEL!**

Lithiumbatteri - Eksplosjonsfare.  
Ved utskifting benyttes kun batteri som anbefalt av apparatfabrikanten.  
Brukt batteri returneres apparatleverandøren.

**VARNING!**

Eksplosionsfara vid felaktigt batteribyte.  
Använd samma batterityp eller en ekvivalent typ som rekommenderas av apparatillverkaren.  
Kassera använt batteri enligt fabrikantens instruktion.

**VAROITUS!**

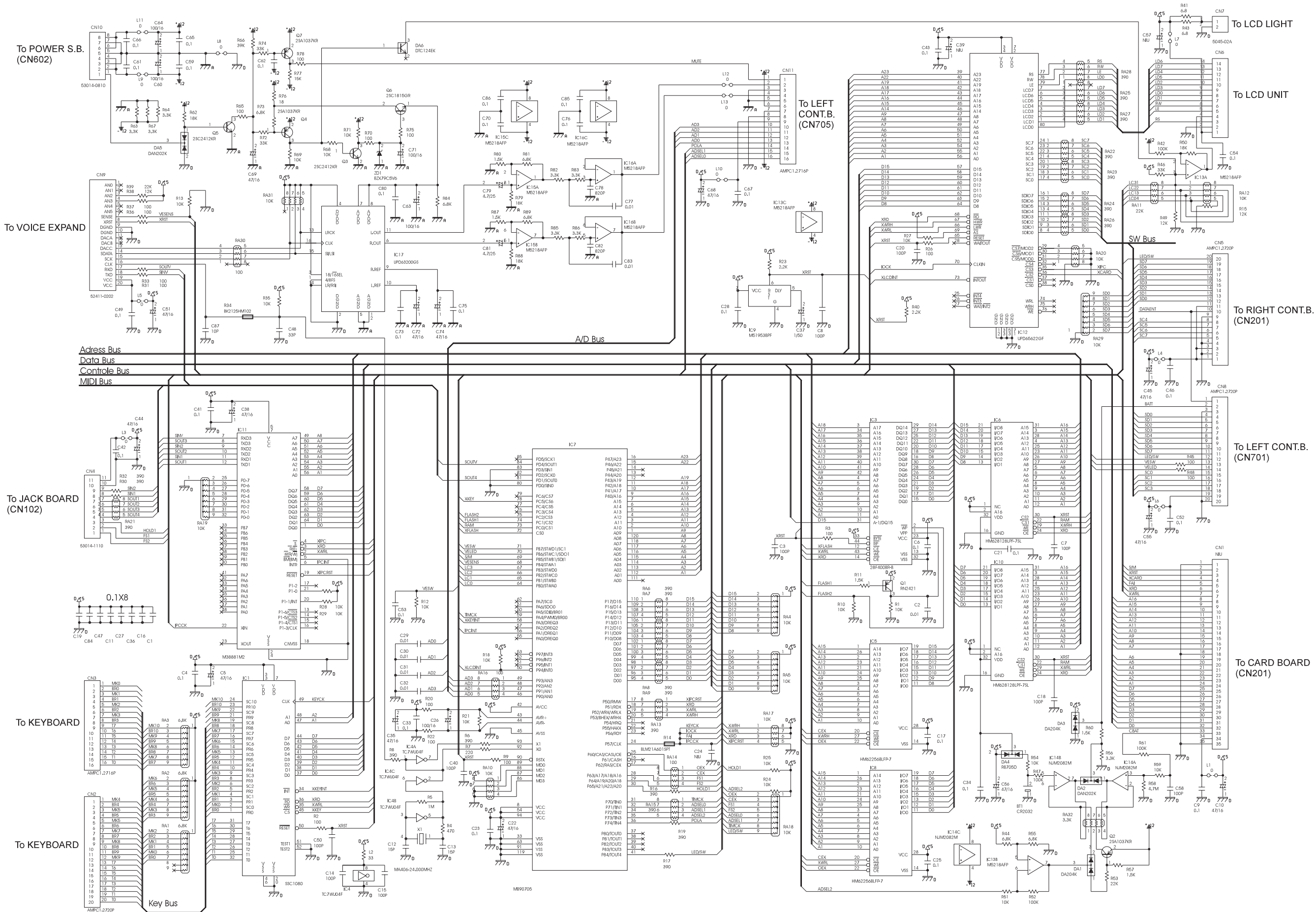
Paristo voi räjähtää, jos se on virheellisesti asennettu.  
Vaihda paristo ainoastaan laitevalmistajan suosittelemaan tyyppiin. Hävitä käytetty paristo valmistajan ohjeiden mukaisesti.

View from component side

1 2 3 4 5 6 7 8 9 10 11 12 13 14 15 16 17 18 19 20 21 22 23 24 25 26 27 28 29 30

A  
B  
C  
D  
E  
F  
G  
H  
I  
J  
K  
L  
M  
N  
O  
P  
Q  
R  
S  
T  
U

# MAIN PCB ASSY CIRCUIT DIAGRAM



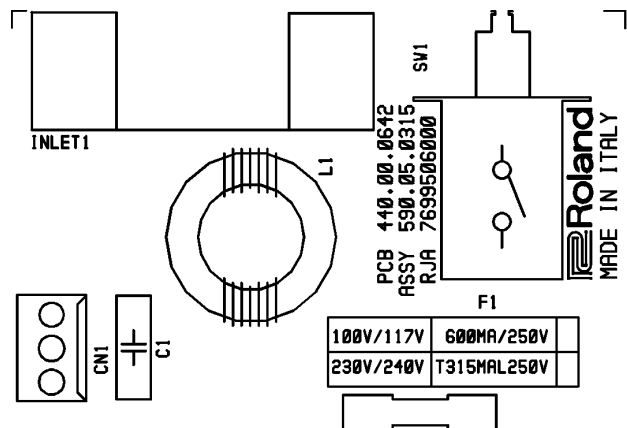
1 2 3 4 5 6 7 8 9 10 11 12 13 14 15 16 17 18 19 20 21 22 23 24 25 26 27 28 29 30

A  
B  
C  
D  
E  
F  
G  
H  
I  
J  
K  
L  
M  
N  
O  
P  
Q  
R  
S  
T  
U

### PRIMARY PCB ASSY & CIRCUIT DIAGRAM

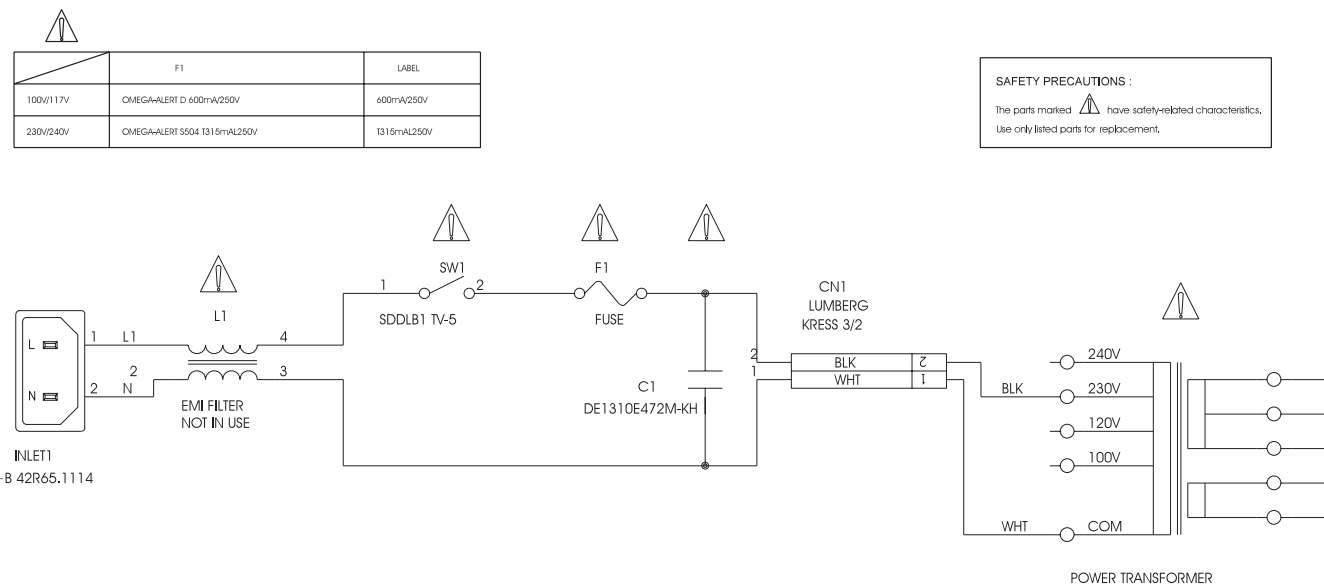
ASSY 7699506000 230V/240V

ASSY 7699512000 100V/117V

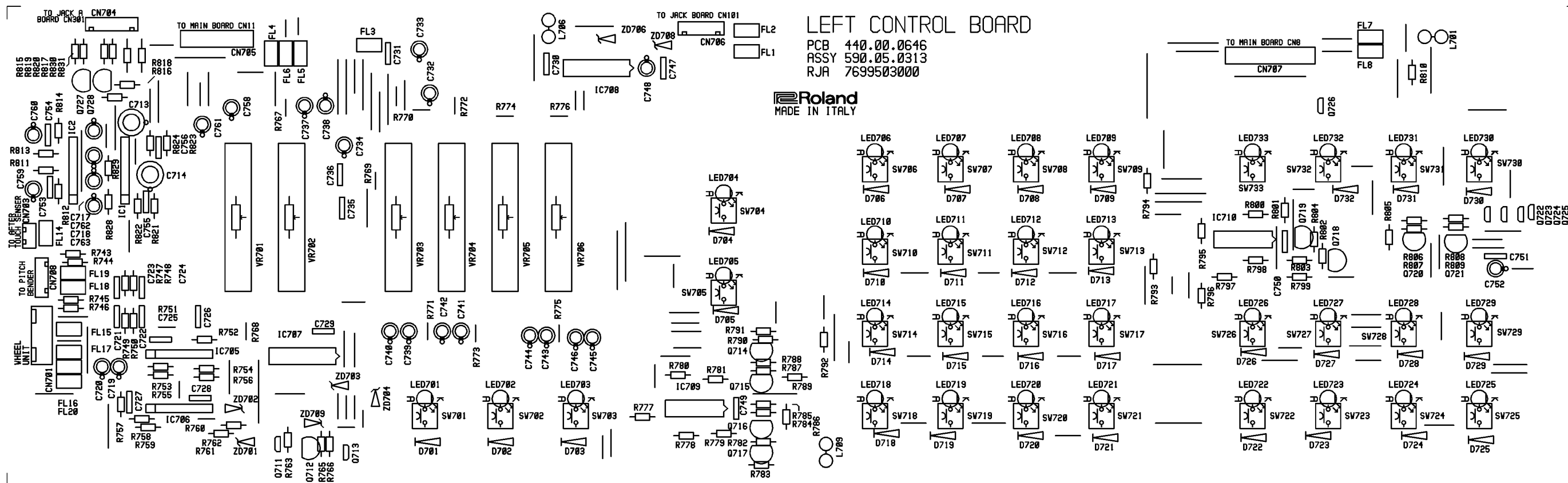


### PRIMARY BOARD

View from component side



### LEFT PCB ASSY ASSY 7699504000



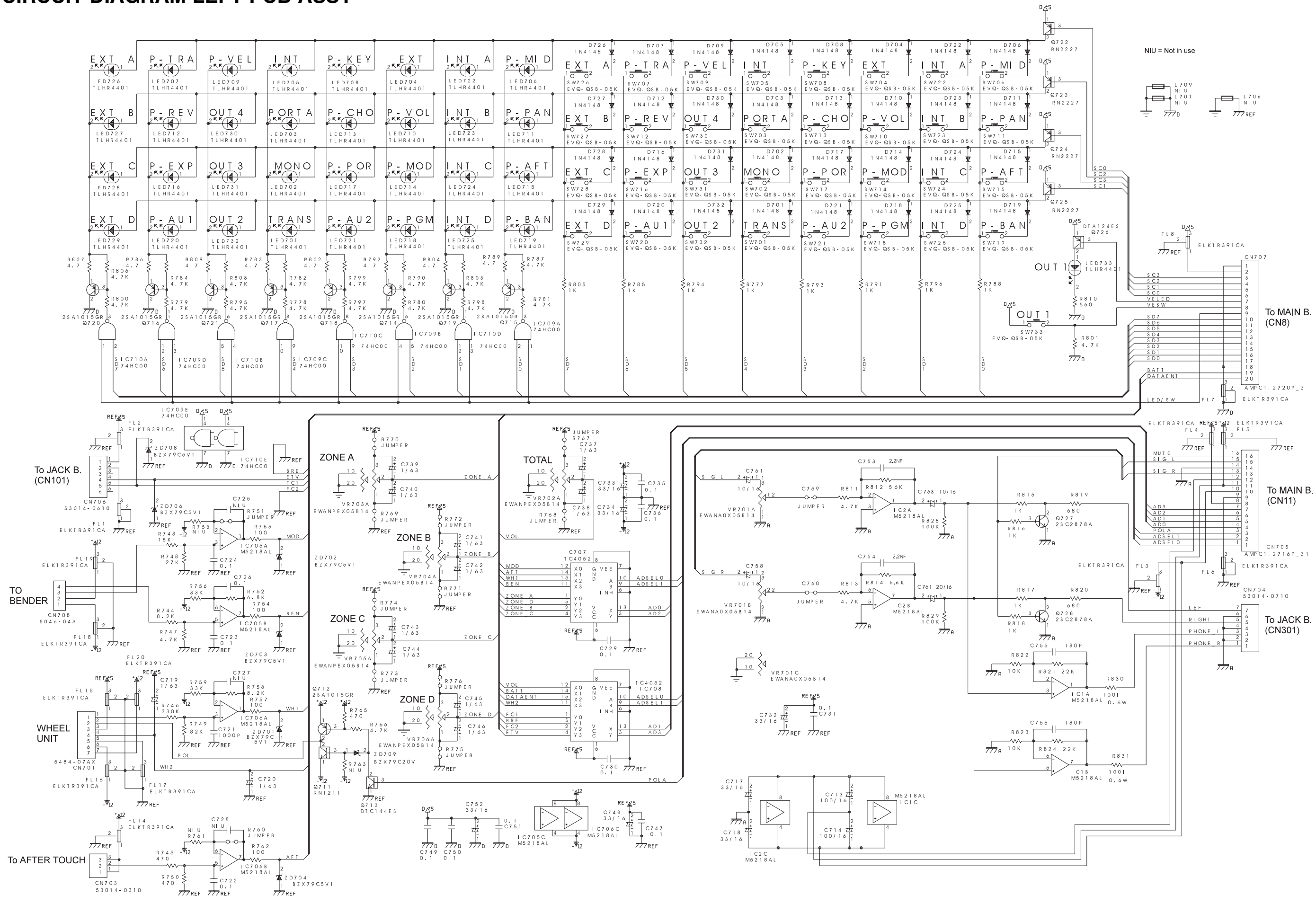
View from component side



1 2 3 4 5 6 7 8 9 10 11 12 13 14 15 16 17 18 19 20 21 22 23 24 25 26 27 28 29 30

A  
B  
C  
D  
E  
F  
G  
H  
I  
J  
K  
L  
M  
N  
O  
P  
Q  
R  
S  
T  
U

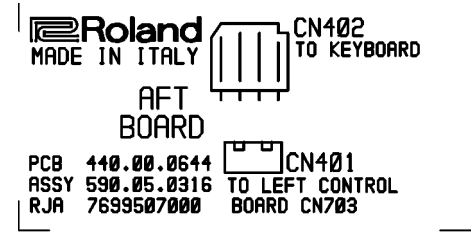
### CIRCUIT DIAGRAM LEFT PCB ASSY



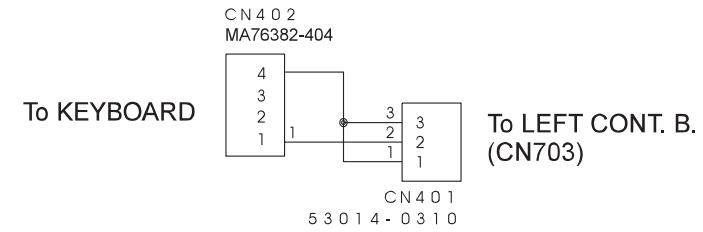
1 2 3 4 5 6 7 8 9 10 11 12 13 14 15 16 17 18 19 20 21 22 23 24 25 26 27 28 29 30

A  
B  
C  
D  
E  
F  
G  
H  
I  
J  
K  
L  
M  
N  
O  
P  
Q  
R  
S  
T  
U

### AFT PCB ASSY & CIRCUIT DIAGRAM. ASSY 7699507000

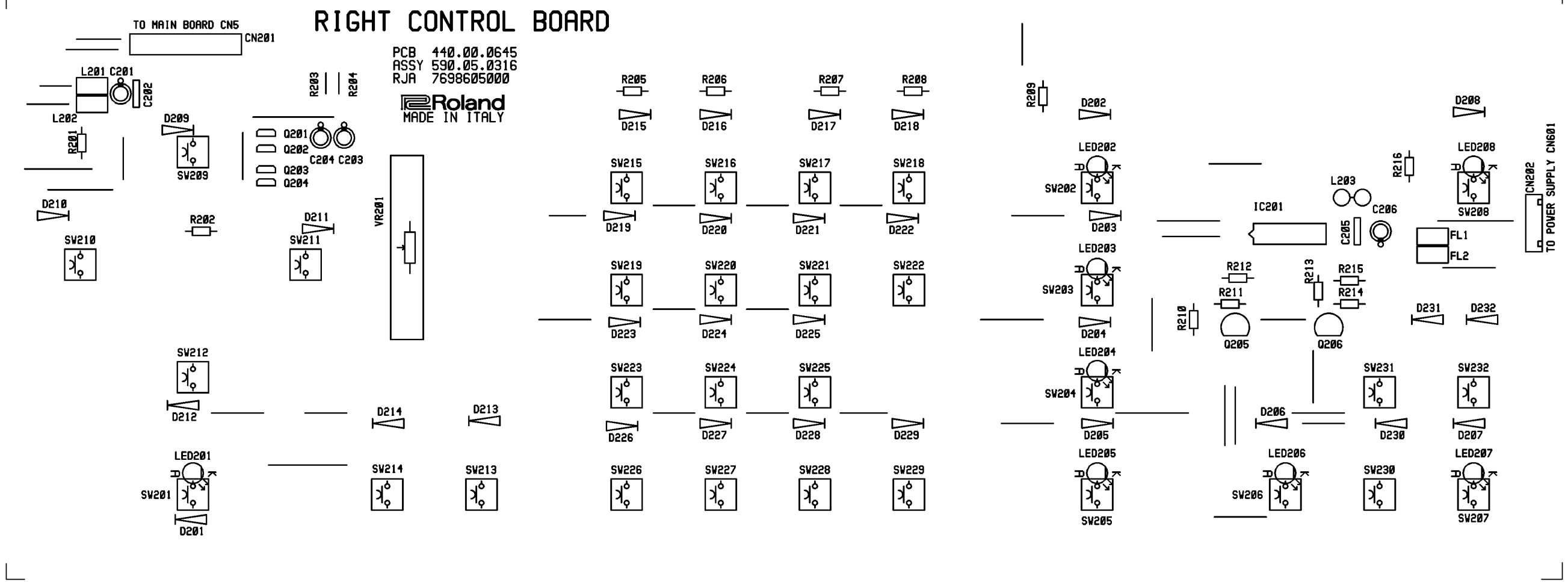


View from component side



### RIGHT PCB ASSY ASSY 7699503000

View from component side

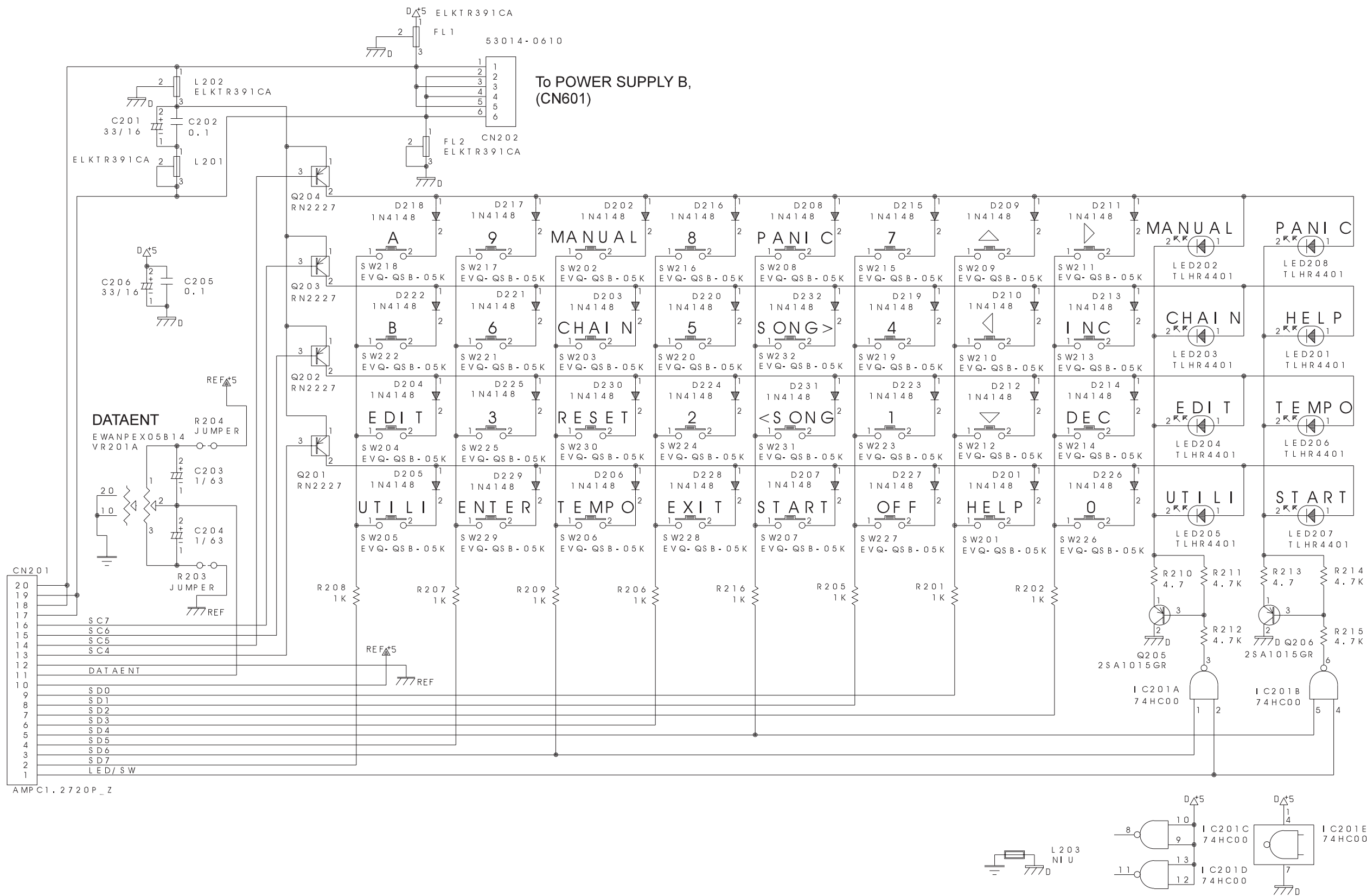


1 2 3 4 5 6 7 8 9 10 11 12 13 14 15 16 17 18 19 20 21 22 23 24 25 26 27 28 29 30

# A CIRCUIT DIAGRAM RIGHT PCB ASSY

B  
C  
D  
E  
F  
G  
H  
I  
J  
K  
L  
M  
N  
O  
P  
Q  
R  
S  
T  
U

To MAIN B.  
(CN5)



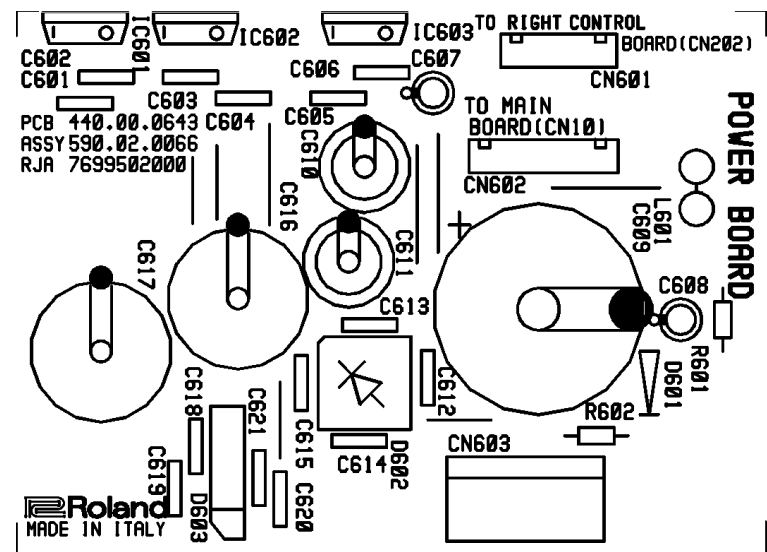
AMPC1.2720P\_Z

1 2 3 4 5 6 7 8 9 10 11 12 13 14 15 16 17 18 19 20 21 22 23 24 25 26 27 28 29 30

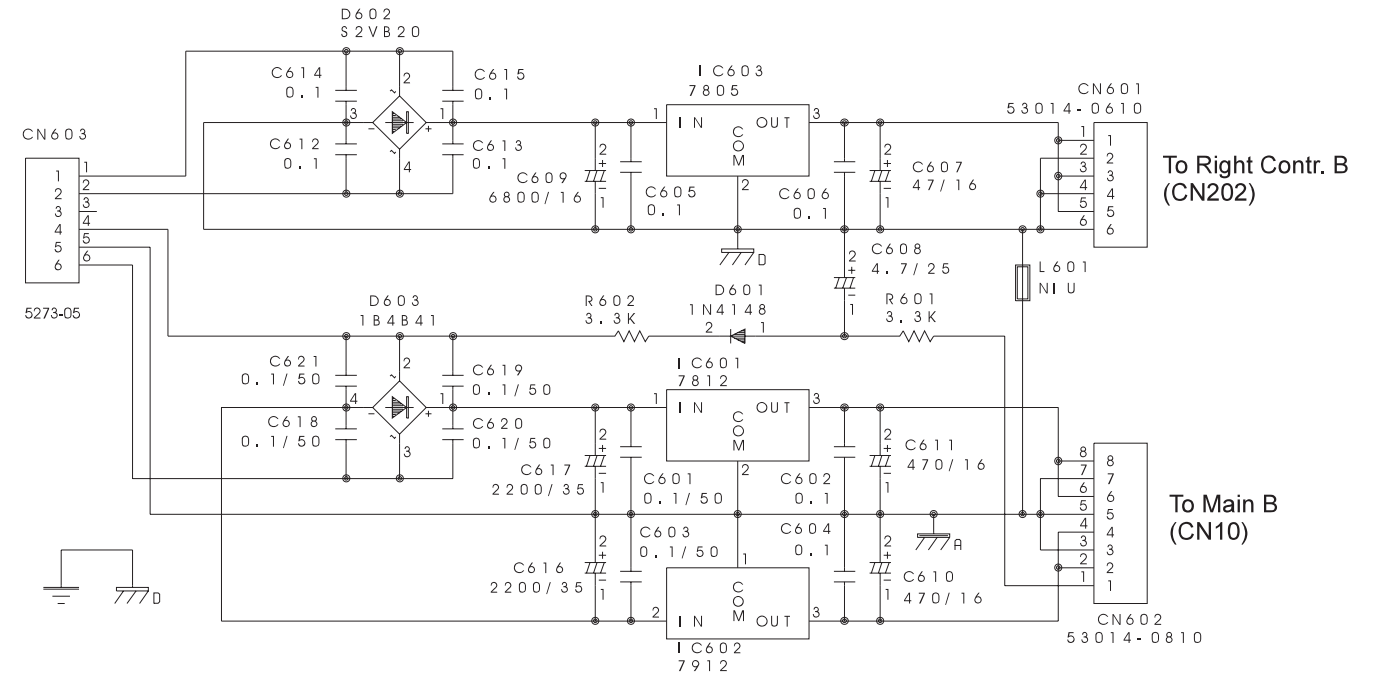
A  
B  
C  
D  
E  
F  
G  
H  
I  
J  
K  
L  
M  
N  
O  
P  
Q  
R  
S  
T  
U

### POWER PCB ASSY & CIRCUIT DIAGRAM

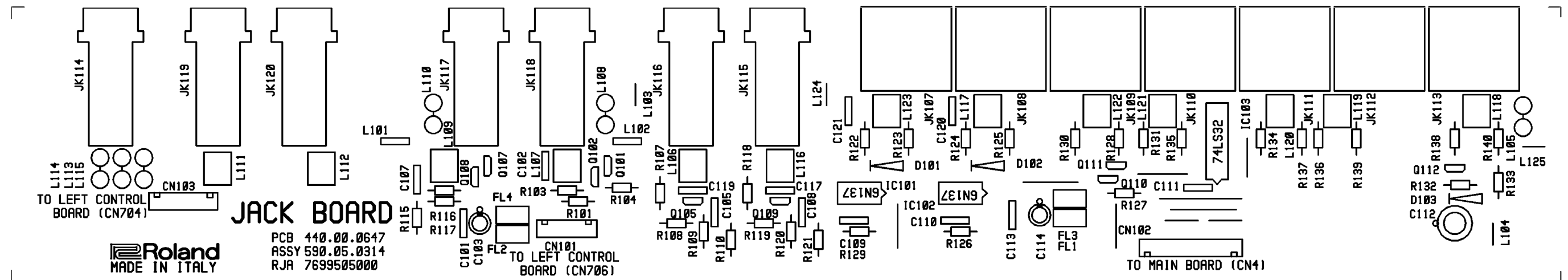
ASSY 7699502000



View from component side



### JACK PCB ASSY ASSY 7699505000

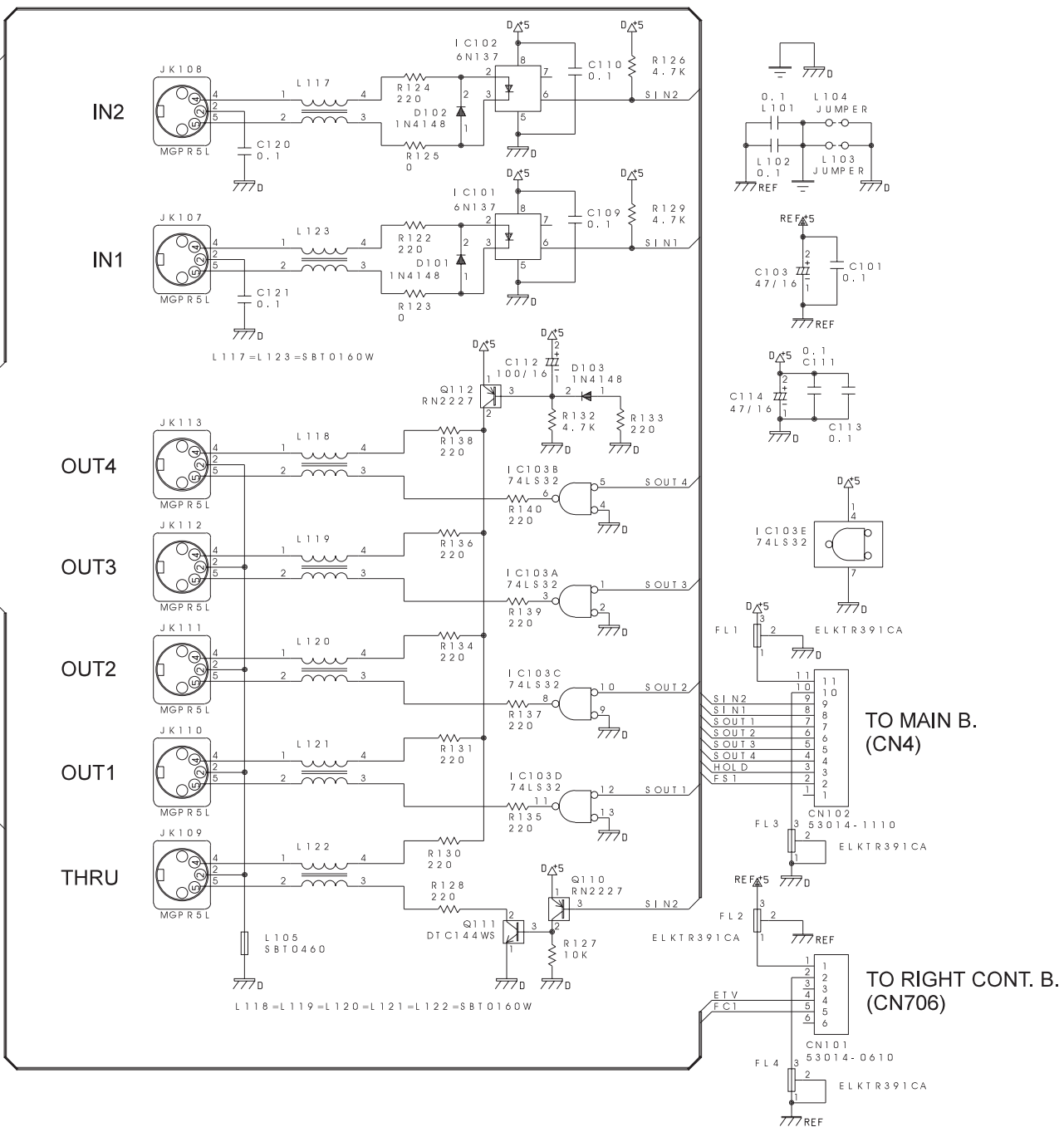
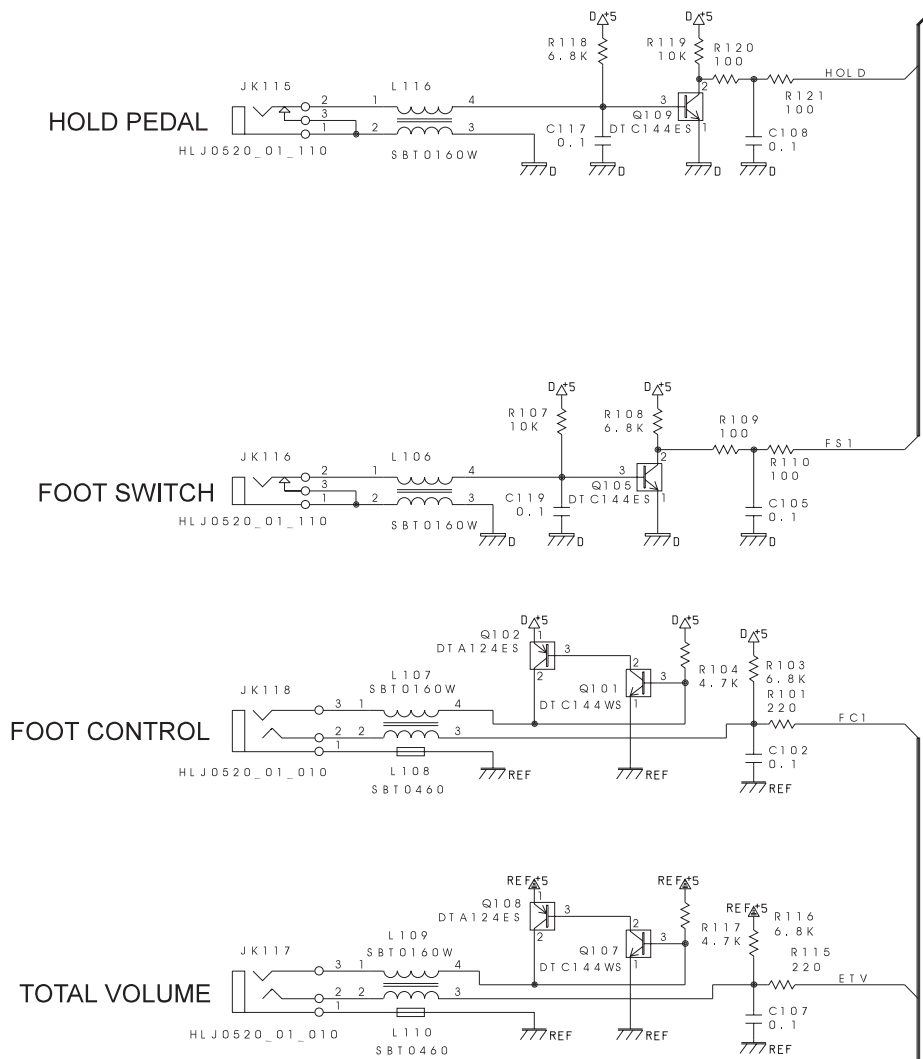
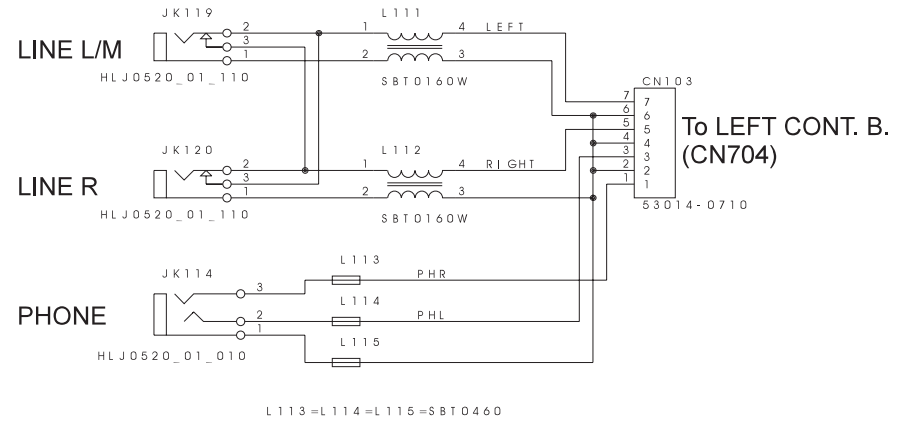


View from component side

1 2 3 4 5 6 7 8 9 10 11 12 13 14 15 16 17 18 19 20 21 22 23 24 25 26 27 28 29 30

A CIRCUIT DIAGRAM JACK PCB ASSY

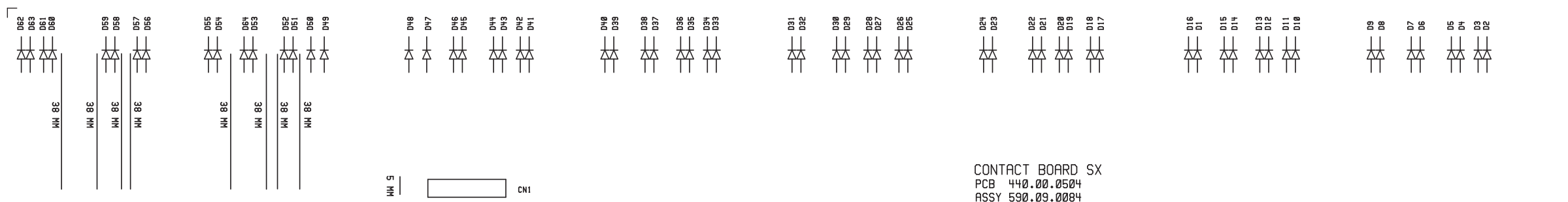
B  
C  
D  
E  
F  
G  
H  
I  
J  
K  
L  
M  
N  
O  
P  
Q  
R  
S  
T  
U



1 2 3 4 5 6 7 8 9 10 11 12 13 14 15 16 17 18 19 20 21 22 23 24 25 26 27 28 29 30

A  
B  
C  
D  
E  
F  
G  
H  
I  
J  
K  
L  
M  
N  
O  
P  
Q  
R  
S  
T  
U

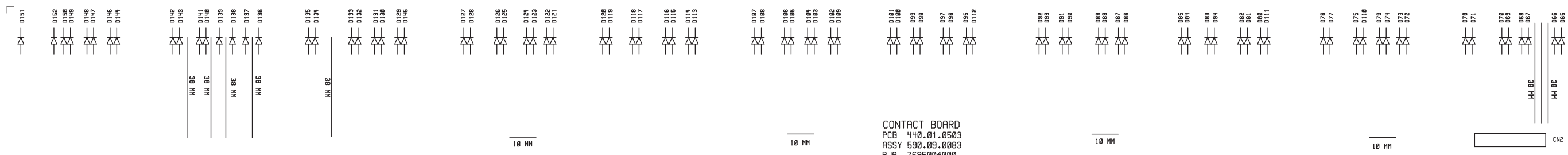
**LEFT CONTACT PCB ASSY w/RUBBER** ASSY 7695005000



CONTACT BOARD SX  
 PCB 440.00.0504  
 ASSY 590.09.0084  
 RJA 7695005000

View from component side

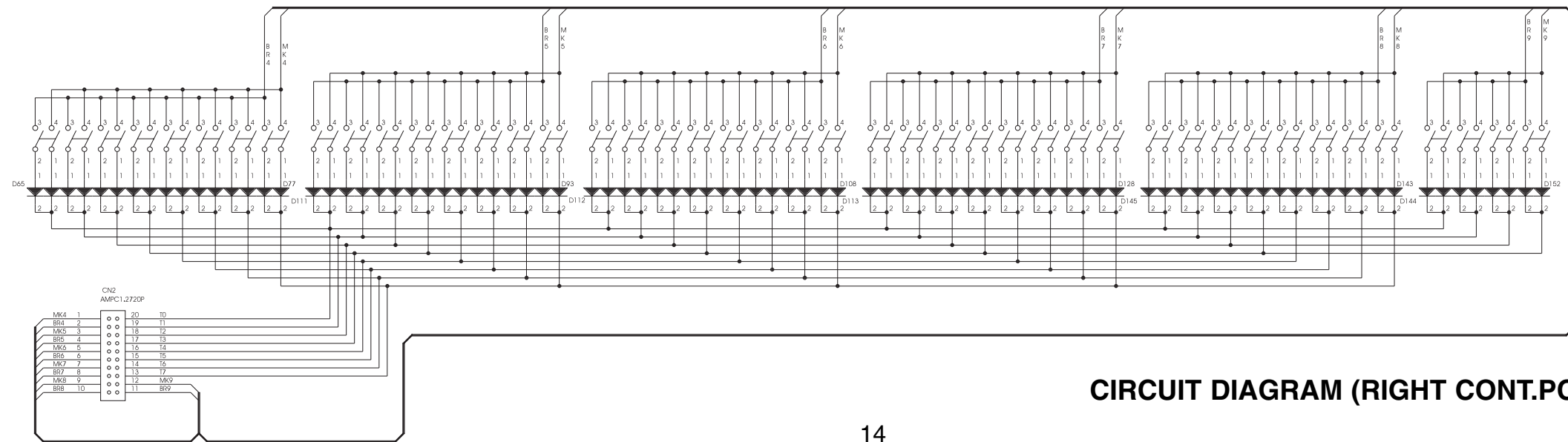
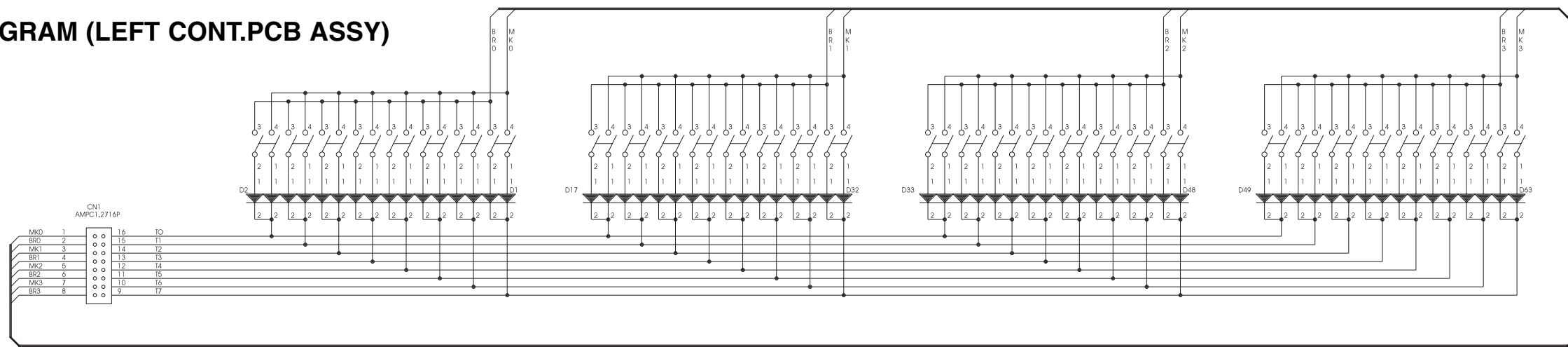
**RIGHT CONTACT PCB ASSY w/RUBBER** ASSY 7695004000



CONTACT BOARD  
 PCB 440.01.0503  
 ASSY 590.09.0083  
 RJA 7695004000

View from component side

**CIRCUIT DIAGRAM (LEFT CONT.PCB ASSY)**



**CIRCUIT DIAGRAM (RIGHT CONT.PCB ASSY)**

## TEST MODE

NOTE :Before executing test mode, be sure to backup user data as explained in the section "Saving and loading user data."

When you execute test mode, the various parameters will be given special settings. After executing test mode, be sure to either load the user data, or initialize the internal RAM.

### ✧ Necessary items

- DP-6 (foot pedal)
- EV-5 (expression pedal)
- MIDI Sequencer
- MIDI cable x 2
- VE-GS1 (voice expansion board)
- Oscilloscope
- Headphones
- Devices for measurement ( mono dummy plug x 2)

### ✧ Entering test mode

While simultaneously holding down numeric keys 1, 3, and 5, turn the power on. The backup RAM and internal battery will be checked, and the result displayed in the LCD. If there is a problem, check MAIN BOARD IC6, 10, and BT1.

Following this, the version and test item menu will appear, and the A-70 will wait for test items to be selected.

### ✧ Exiting test mode

Turn the power on once again to return to normal mode.

### ✧ Test items

The A-70/EX has the following test items.

Each test item is assigned to the following data entry keys.

Press the appropriate number to enter the corresponding test item. For details on each test, refer to the explanations for each item.

- 0 : Version and test item menu display
- 1 : SW/LED test
- 2 : LCD test
- 3 : Slider VR test
- 4 : Pedal test
- 5 : Bender value setting
- 6 : Bender/wheel test
- 7 : MIDI test
- 8 : Not Available
- 9 : Keyboard test and audio signal output test

### 0 : Version and test item menu display

Summary : Display the version and test items in the LCD

Procedure : Press numeric key 0 to display the menu.



The system program version and the test item menu will be displayed.



The test program will wait for an item to be selected.

### 1 : SW/LED test

Summary : Check LED and switch operation

Procedure : Press numeric key 1 to enter the SW/LED test item.



All LEDs will light. Check that there are no LEDs that fail to light.  
(If there is a problem, refer to check 1.)



Press each SW, and check that each of the corresponding LEDs or LCD characters go dark.  
(If there is a problem, refer to check 1.)



This completes the SW/LED test.

NOTE:To exit the SW/LED test item and go to another item, hold down ENTER and press the numeric key corresponding to the desired test item.

Action :

check 1 :

```
PANEL L BOARD SW/LED
PANEL R BOARD SW/LED
PANEL L BOARD IC709, 710
PANEL R BOARD IC201
PANEL L BOARD CN707 <=> MAIN BOARD CN8
PANEL R BOARD CN201 <=> MAIN BOARD CN5
MAIN BOARD IC12
```

### 2 : LCD test

Summary : Check for unevenness or defects in the LCD and the operation of the contrast control circuit

Procedure : Press numeric key 2 to enter the LCD test item.



All pixels of the LCD will light. Check that there is no unevenness or defect in the LCD.  
(If there is a problem, refer to check 1.)



Check that the contrast of LCD changes by pressing the INC/DEC button (or moving the DATA ENTRY slider).  
(If there is a problem, refer to check 1.)



This completes the LCD test.

Action :

check 1 :

```
LCD UNIT
LCD UNIT <=> MAIN BOARD CN6
MAIN BOARD IC12
```

### 3 : Slider VR test

Summary : Check the operation of the slider VRs.

Procedure : Press numeric key 3 to enter the slider VR test item.



Raise and lower the six sliders TOTAL through DATAENTRY, and check that the value changes from 0—10 in correspondence to the slider movements.  
(If there is a problem, refer to check 1.)



This completes the slider VR test.

Action :

check 1 :

L BOARD BR702...706, IC707, 708  
R BOARD VR201  
PANEL L BOARD CN705 <=> MAIN BOARD CN11  
PANEL R BOARD CN201 <=> MAIN BOARD CN5  
MAIN BOARD IC7

#### 4 : Pedal controller test

Summary : Check the operation of the pedal controller.

Procedure : Press numeric key 4 to enter the pedal controller test.



Connect the EV-5 to FC, and TOTAL VOL and move the pedal, checking that the displayed "FC", and "Vo" values change from 0—10.  
(If there is a problem, refer to check 1.)



Connect the DP-6 to FS, and HOLD and move the pedal, checking that the displayed "FS" and "Hold" values change from "O" to "-".  
(If there is a problem, refer to check 2.)



This ends the pedal/breath controller test.

Action :

check 1 :

JACK B BOARD JK 117, 118  
JACK B BOARD CN101<=> PANEL L BOARD CN706  
PANEL L BOARD IC708  
PANEL L BOARD CN705 <=> MAIN BOARD CN11  
MAIN BOARD IC7

check2 :

JACK BOARD JK 115, 116  
JACK BOARD CN102 <=> MAIN BOARD CN4  
MAIN BOARD IC7

#### 5 : Bender value setting

Summary : Specify the dead region at the center of the bender

Procedure : Press numeric key 5 to enter the bender setting item.



The MIN and MAX values of the current dead area will be displayed.  
Lower the bender all the way to the left, gradually return it to the center and press TRANSPOSE to set the MIN value.



Raise the bender all the way to the right, gradually return it to the center and press PORTAMENTO to set the MAX value.

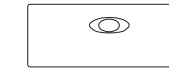
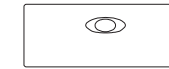


This completes the bender settings.

TRANSPOSE

MONO

PORTAMENTO



NOTE: After setting the bender values, be sure to perform the bender/wheel test to check operation.

\* If after performing the bender/wheel test you were unsuccessful in making the setting, use the following procedure to manually set the dead region.

§ Manual adjustment of the dead region

1. Use the "<" cursor key to select MIN setting mode.
2. Use the ">" cursor key to select MAX setting mode.
3. Use the INC and DEC keys to increase/decrease the setting.

#### 6 : Bender/wheel test

**B- | B+ | Bm | W+ | W- | Wm |**  
(1) (2) (3) (4) (5) (6)

Summary : Check the operation of the bender and wheels.

Procedure : Press numeric key 6 to enter bender/wheel test mode.



Move the bender toward the left and check that (1) in the diagram changes from 0 to over 6(See NOTE1).

When the bender is released, the value should be 0.

(If there is a problem, check the bender value setting, and the items of check 1.)



Move the bender toward the right and check that (2) in the diagram changes from 0 to over 6(See NOTE1).

When the bender is released, the value should be 0.

(If there is a problem, check the bender value setting, and the items of check 1.)



Move the bender toward the rear and check that (3) in the diagram changes from 0 to over 6(See NOTE1).

(If there is a problem, check the items of check 1.)



Move wheel 1 toward the rear and check that (4) in the diagram changes from 0 to over 6(See NOTE1).

(If there is a problem, check the items of check 2.)



Move wheel 1 toward yourself and check that (5) in the diagram changes from 0 to over 6(See NOTE1).

(If there is a problem, check the items of check 1.)



Move wheel 2 toward yourself and check that (6) in the diagram changes from 0 to over 6(See NOTE1).



(If there is a problem, check the items of check 1.)



This completes the bender/wheel test.

Action :

check 1 :

BENDER <=> PANEL L BOARD CN708  
 PANEL L BOARD IC705, 707  
 PANEL L BOARD CN705 <=> MAIN BOARD CN11  
 MAIN BOARD IC7

check 2 :

WHEEL <=> PANEL L BOARD CN701  
 PANEL L BOARD IC706, 707, 708  
 PANEL L BOARD CN705 <=> MAIN BOARD CN11  
 MAIN BOARD IC7

**7 : MIDI test**

**I1 | I2 | O1 | O2 | O3 | O4 |**  
 (1) (2) (3) (4) (5) (6)

Summary : Test the operation of the MIDI IN, OUT, and THRU jacks  
 Procedure : Press numeric key 7 to enter the MIDI test item.



Use a single MIDI cable to connect IN2 and OUT1, and check that display items (2) and (3) change from “-” to “0”.



Use another MIDI cable to connect IN1 and THRU, and check that display item (1) changes from “-” to “0”.  
 (If there is a problem, refer to check 1.)



Leaving the IN2/OUT1 MIDI cable connected to IN2, connect the other end of the cable successively to OUT2, OUT3, and OUT4, and check that display items (4), (5), and (6) change from “-” to “0”.  
 (If there is a problem, refer to check 1.)



This ends the MIDI test.

Action :

check 1 :

JACK BOARD Q110,Q111,Q112, IC101, 102, 103  
 JACK BOARD CN102 <=> MAIN BOARD CN4  
 MAIN BOARD IC11

**8 : N.C.**

**9 : Keyboard test**

Summary : Test keyboard and audio signal operation  
 Procedure : Press numeric key 9 to enter the keyboard test item.



Press a desired key and check that the key number, on-velocity, and off-velocity are displayed correctly. Check that the piano sound appropriate for each key is output.\*  
 (If there is a problem, refer to check 1.)



Apply pressure to a desired key, and check that aftertouch changes in the range 0 to over 6(See NOTE1).  
 (If there is a problem, refer to check 2.)



This ends the keyboard test.

\* If a VE series unit is installed in the A-70 and the OUTPUT jack is connected to an amp, a piano sound will be heard.

Action :

check 1 :

KEYBOARD <=> MAIN BOARD CN2,3  
 MAIN BOARD IC1

check 2 :

KEYBOARD <=> AFT BOARD CN402  
 AFT BOARD CN401 <=> PANEL L BOARD CN703  
 PANEL L BOARD IC706, 707  
 PANEL L BOARD CN705 <=> MAIN BOARD CN11  
 MAIN BOARD IC7

**9 : Audio signal output test**

Summary : Check LINE-OUT (unbalanced L(MONO)) etc.

Supplementary explanations (functions) :

\* Line out impedance : 1680 ohms  
 L(mono) impedance : 840 ohms

\* If a plug is not inserted into LINE OUT R, the L and R channels will be mixed and output from LINE OUT L. This is referred to as L(MONO).

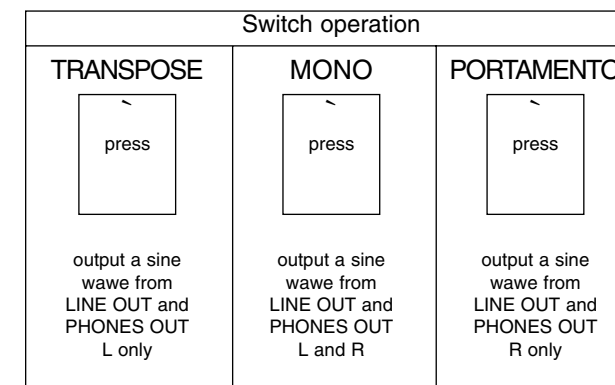
Procedure : Turn off the power, and install the VE-GS1 into the A-70.



Enter test mode, and press numeric key 9 to enter the keyboard test item.



As shown in the following diagram, press the TRANSPOSE, MONO, or PORTAMENTO keys to output a sine wave from LINE OUT.



The following table shows the values that should be detected. Check that the oscilloscope shows a clean sine wave, and that the wave height value of each waveform is correct.  
 (If there is a problem, refer to check 1.)

Checking the output

|        |        | Switch operation   |                  |                     |
|--------|--------|--------------------|------------------|---------------------|
|        |        | TRANSCOPE<br>press | MONO<br>press    | PORTAMENTO<br>press |
| Stereo | L      | VOUT<br>Vpp=2,5V   |                  | No Output           |
|        | R      | No Output          |                  | VOUT<br>Vpp=2,5V    |
| Mono   | L Mono | VOUT<br>Vpp=1,25   | VOUT<br>Vpp=1,5V | VOUT<br>Vpp=1,25V   |

Mute check

Procedure : Connect an amp to the line output.  
Raise the amp and the INT slider volume of the A-70 to maximum.



Check that when the A-70 power is turned on, there is no pop noise from the amp and the LCD is not garbled.  
(If there is a problem, refer to check 1.)



Check for the same items when the power is turned off.

Headphone output check

Procedure : Turn off the power, and connect headphones and the VE-GS1 to the A-70.



Enter test mode, and press numeric key 9 to enter the keyboard test item.



Press the TRANSCOPE, MONO, and PORTAMENTO switches and check that sound is output from the headphones as shown in the following table.  
(If there is a problem, refer to check 2.)

| Switch operation                                 |   |   |
|--|---|---|
| TRANSCOPE<br>press                               | MONO<br>press                           | PORTAMENTO<br>press                             |
| Heard from only the right side in the headphones | Heard from both sides in the headphones | Heard from only the left side in the headphones |



Continue with the volume check.  
Press the MONO switch, and move the INT slider volume from top to bottom, and check that the sound does not crackle or break.  
(If there is a problem, refer to check 3.)



This completes the audio output check.

Action :

check 1 :  
VE-GS1 CONNECT RETRY  
PANEL L <=> MAIN CN11 (CABLE)  
PANEL L <=> JACK CN103 (CABLE)  
MAIN IC17, IC15, IC16  
PANEL L IC2

check 2 :  
PANEL L <=> JACK CN103(CABLE)  
MAIN Q3, Q4, Q5, Q6, Q7  
MAIN DA5, DA6  
PANEL L IC1

check 3 :  
PANEL L VR701

SAVING AND LOADING USER DATA

You can send the contents of internal memory to a sequencer or MIDI device that can record bulk data.  
Data that has been recorded in this way can be received via MIDI IN2 at any time  
\* The contents of the internal memory are overwritten by any data that is received.

This procedure will save the following data to sequencer;

- \* Performance and Chain setting in the temporary area
- \* Manual mode settings
- \* System settings (except for controller assignments and User Name Maps)
- \* Controller assignment
- \* All performances and chains internal memory
- \* User Name Maps

First of all, you need to set device ID (EDIT:SYS,E01).

1. Change to the Edit mode, and use the menu or the shortcut to select "Dev ID"

|            |                |               |
|------------|----------------|---------------|
| <b>E01</b> | <b>Ctrl ch</b> | <b>Dev ID</b> |
|            | ▶ 16           | ▶ 17          |

2. Use the CURSOR button to move the cursor to the right, and use DATA ENTRY to set the device ID (the initial setting is "17").  
If you're exchanging data between two A-70/EX units, they should both be set to the same device ID

This setting is saved automatically as a system setting.

Next, choose what you want to send and select the MIDI OUT to be used (UTILITY:BLK,U50).

3. Change the Utility mode, and use the menu or the shortcut to select "Bulk Dump"

|                      |
|----------------------|
| <b>U50 Bulk Dump</b> |
| TmpP&C ▶ OFF 000000  |

↑↑↑↑↑↑  
a b c d e f

- a Performance and Chain setting in the temporary area
- b Manual mode settings

- c System settings (except for controller assignments and User Name Maps)
  - d Controller assignment
  - e All performances and chains internal memory
  - f User Name Maps
5. Use the corresponding MIDI OUTPUT switch to choose the MIDI OUT
  6. Press [ENTER]. A confirmation message asking you if you want to sent the data appears Press [ENTER]. for "yes" or [EXIT] for "No"



### INITIALIZING THE INTERNAL RAM

1. If the MANUAL button is held down while you turn the power on, the voice expansion board that is installed will automatically be detected, and internal RAM will be initialized for that expansion board. If the CHAIN button is held down while you turn the power on, internal RAM will be initialized for the VE-RD1 regardless of whether or not a voice expansion board is present. If the EDIT button is held down while you turn the power on, internal RAM will be initialized to the settings for when an expansion board is not installed, regardless of whether a voice expansion board is present.
2. After turning on the power while holding down a button, press the ENTER button to execute the desired type of initialization.

### UPGRADING THE FLASH ROM SOFTWARE VERSION

The A-70 contains flash ROM, allowing the program version to be updated via MIDI.

**Caution :** If the power supply fails while flash ROM is being written into, the data in flash ROM will be destroyed and it will be impossible to ever again rewrite it. If this occurs it will be necessary to replace the ROM. Perform this operation in an environment where it is unlikely that the power to the A-70 will be interrupted, or that other accidents could occur.

#### ✧ Necessary items

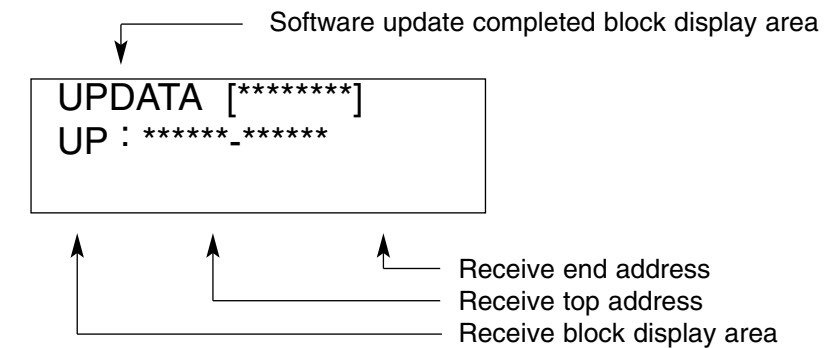
A-70/EX software update disk SMF player (SB-55 etc. Anything that will playback SMF will do.)  
Foot pedal (DP-6) x 2 (or two mono dummy (=open)plugs are also ok.) MIDI cable

- \* The software update disk contains the A-70 program converted into SMF data. Obtain the latest version from the service center. The filenames are as follows.

\_00001.mid  
\_00002.mid  
:  
\_00008.mid  
\_00008.mid will always exist, and \_00001 - \_00007.mid may or may not exist depending on the program size.

#### ✧ Update procedure

0. As necessary, save the user memory to a sequencer. The contents of user memory will be lost during the software update.
1. Connect pedals (or mono dummy (=open) plugs) to the HOLD and FS jacks of the A-70.
2. Connect the MIDI OUT of the SMF player to the MIDI \*IN2\* of the A-70.
3. Press both pedals (if you have inserted mono dummy plugs those connections will be sufficient), and while holding down the OUT1 button turn on the power. The LCD will show as follows;



and the A-70 will enter software update mode.

4. Starting from the lowest-numbered filename, playback the files on the SMF player. (In the case of the SB-55, playback will begin automatically from \_00001.mid.) During reception, the Receive Block / Top Address / End Address will indicate the current status.

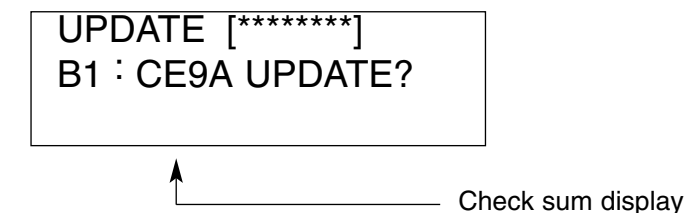
- \* The Receive Block will indicate;

\_00001.mid            B1 (Block 1)  
\_00002.mid            B2 (Block 2)  
:  
\_00008.mid            B8 (Block 8)

- \* The Receive Top/End Blocks will indicate;

\_00001.mid            FF0000-FFFFFF  
\_00002.mid            FE0000-FFFFFF  
:  
\_00008.mid            F80000-FFFFFF

5. When each file has finished playing, pause the SMF player. (In the case of the SB-55, caution must be used since the next file will begin to play.)
6. Check that the lower four digits of the Receive Top Address are 0000 and that the lower four digits of the Receive End Address are FFFF. Then press the ENTER button of the A-70 to get a display like the following.



After you confirm this by comparing the displayed value with the check sum printed on the disk label, press the ENTER button and the software update will begin. If the check sum is different, press the EXIT button to return to the display of step 3, and transmit the file once again.

- \* When you press ENTER, the display will indicate

Erase -> Write -> CE9A-CE9A OK

During Erase or Write, be very careful to never let the power be interrupted. In the worst case, the A-70 may become incapable of starting up.

7. When the software update is completed, the display will indicate

```
UPDATE [1*****]
B1 : CE9A CE9A OK
```

and the block number will appear in the software update completed block display area to indicate that block 1 has been updated.

8. Press ENTER to get a display like the following.

```
UPDATA [1*****]
** : *****_*****
```

Now transmit the next file.

9. Repeat steps 4 through 8 until all of the files have been transmitted. When the software has been updated for all blocks, all of the asterisks "\*" will be gone from the software update completed block display area, as in the following display.

```
UPDATA [12345678]
** : *****_*****
```

After verifying this status, turn the power off.

- ✧ Adjustment following software update  
A software update will cause the user memory of the A-70 to be lost. Thus, the following adjustments will be necessary.  
The necessary adjustments are;  
Bender value setting.  
Initialization of user memory.  
Loading of user memory from card (as necessary).

1. Center calibration of the bender  
Refer to the bender value setting (number 5) in the test items.
2. Initialization of user memory  
Refer to the item for initialization of internal RAM.  
As necessary, load data from a sequencer.  
Refer to the items for saving and loading user memory.

## PARTS LIST A-70 (100V/117V/230V/230VE/240VA)

**SAFETY PRECAUTIONS :**  
The parts marked  $\Delta$  have safety-related characteristics. Use only listed parts for replacement.

**CONSIDERATION ON PARTS ORDERING**  
When ordering any parts listed in the parts list, please specify the following items in the order sheet.  
QTY PART NUMBER DESCRIPTION MODEL NUMBER  
Ex. 10 22575241 Sharp Key C-20/50  
15 2247017300 Knob (orange) DAC-15D  
Failure to completely fill the above items with correct number and description will result in delayed or even undelivered replacement.

**NOTE :** The parts marked "\*" are new (Initial Parts).  
The parts marked  $\Delta$  have Safety - Related characteristics. Use only listed parts for replacement.

**RCB** = Right Contact Board    **MB** = Main Board  
**LCB** = Left Contact Board    **PSB** = Power Sup. Board  
**JB** = Jack Board    **RB** = Right Control Board  
**PB** = Primary Board    **LB** = Left Control Board  
**AFTB** = After Touch Board

<< EMI >> : Component for EMC.

### CASING

|   |            |                               |      |
|---|------------|-------------------------------|------|
| # | 7699508000 | VARN+SILK. TOP CABINET        | A-70 |
| # | 7699509000 | VARN+SILK. BOTTOM CABINET     | A-70 |
| # | 7699520000 | VARN. RIGHT SIDE PANEL        | A-70 |
| # | 7699521000 | VARN. LEFT SIDE PANEL         | A-70 |
| # | 7699519000 | VARN. COVER F/EXPANSION BOARD |      |
|   | 22205543   | GUIDE F/4 POTENTIOMETERS      |      |
|   | 00788990   | WHEEL CAP                     |      |
| # | K2238119   | SILKSCREENED PLEXIGLAS        | A-70 |

### KNOB BUTTON

|  |          |                   |                   |
|--|----------|-------------------|-------------------|
|  | 22485253 | BLACK CAP F/POT.  |                   |
|  | K2478200 | BUTTON GROUP      | 22X8+DIFF. -BLACK |
|  | K2478202 | BUTTON GROUP      | (4) 22X8 -BLACK-  |
|  | K2478203 | BUTTON GROUP      | (4) 15X8 -BLACK-  |
|  | K2478255 | TRIANG. BUTTON    | (BLACK)           |
|  | 22488183 | POWER SWITCH KNOB | N.001-BLACK       |

### SWITCH

|  |            |        |                    |                   |
|--|------------|--------|--------------------|-------------------|
|  | 1312975301 | SWITCH | EVQ-QSB 05K GR.160 | on LB ; on RB     |
|  | 13129160   | SWITCH | SDDL1-TV5          | SW1 on PRIMARY B. |

### JACK, SOCKET

|  |            |             |                |                         |
|--|------------|-------------|----------------|-------------------------|
|  | 13449125   | JACK SOCKET | HLJ0520-01-110 | JK115,116,119,120 on JB |
|  | 13449126   | JACK SOCKET | HLJ0520-01-010 | JK114,117,118 on JB     |
|  | 13429664RI | DIN SOCKET  | MG/PR 5L       | JK107/113 on JB         |

### DISPLAY UNIT

|   |            |  |      |  |
|---|------------|--|------|--|
| # | 7699511000 | LCD ASSY   | A-70 |  |
|   |            | (Including LCD, PCB and WIRING)  |      |  |
|   |            | <b>NOTE :</b> Replacement LCD Unit should be made on a unit basis. No replacements available for individual parts. |      |  |
|   |            | Replacement only be a unit.  |      |  |

### BENDER UNIT

|  |          |   |  |  |
|--|----------|---|--|--|
|  | 70564101 | TURBOLESS PITCH BENDER PBH0201  |  |  |
|  | 23275893 | WHEEL BW-A0000-327-893 W/CABLES   |  |  |
|  |          | <b>NOTE :</b> Replacement BENDER Unit should be made on a unit basis. No replacements available for individual parts. |  |  |
|  |          | Replacement only be a unit.   |  |  |

### KEYBOARD ASSY

|   |            |   |  |  |
|---|------------|---|--|--|
| # | 7699510000 | 76-K.WEIGHTED KEYBOARD TP/8SAT                                  |  |  |
|   |            | <b>NOTE :</b> For details, refer to KEYBOARD PARTS LIST (Pag.4) |  |  |

### PCB ASSY

|       |            |  |          |      |
|-------|------------|--|----------|------|
| #     | 7699502000 | POWER SUPPLY PCB ASSY  | A-70     |      |
| #     | 7699503000 | RIGHT CONTROL PCB ASSY   | A-70     |      |
| #     | 7699504000 | LEFT CONTROL PCB ASSY  | A-70     |      |
| #     | 7699505000 | JACK SOCKET ASSY   | A-70     |      |
| #     | 7699506000 | PRIMARY ASSY   | 230/240V | A-70 |
| #     | 7699512000 | PRIMARY ASSY   | 100/117V | A-70 |
| #     | 7699507000 | BOUNCE-TO-AFTERTOUCH ASSY  | A-70     |      |
|       | 7695004000 | RIGHT CONTACT BOARD W/RUBBER ASSY  |          |      |
|       | 7695005000 | LEFT CONTACT BOARD W/RUBBER ASSY   |          |      |
| [E] # | 7699501000 | MAIN BOARD PCB ASSY  | A-70     |      |
|       |            | <b>NOTE :</b> When you replace the MAIN BOARD or Lithium Battery, You must reperform bender adjustment. Refer to [Bender Value Setting] item in the Test Mode. |          |      |

### IC

|  |            |                            |                        |                              |
|--|------------|----------------------------|------------------------|------------------------------|
|  | 15229718RI | I.C. 6N 137                | Photo-Coupler          | IC101,102 on JB              |
|  | 00342723   | I.C. MB90705 H             | Cpu FMC16              | IC7 on MB                    |
|  | 15169515   | I.C. 74 HC 00              | Quad 2-input NAND Gate | IC201 on RB, IC709,710 on LB |
|  | 15249111   | I.C. TC7WU04 F (Flat)      | Triple Inverter        | IC4 on MB                    |
|  | 00349690   | I.C. UPD 65622GF-138-3B9   | Custom IC              | IC12 on MB                   |
|  | 00129278   | I.C. SSC1080 FOB           | Custom IC              | IC1 on MB                    |
|  | 00788356   | I.C. M38881M2-058FP        | Sub CPU (IPC)          | IC11 on MB                   |
|  | J5259107   | I.C. HM628128ALFP-7 (Flat) | SRAM                   | IC6,10 on MB                 |
|  | J5259110   | I.C. HM62256LFP-7T (Flat)  | SRAM                   | IC5,8 on MB                  |
|  | J5169108   | I.C. TC 4052               | Multip./Demultip.      | IC707,708 on LB              |
|  | J5169107   | I.C. SN 74LS32 NDS         | Quad 2-input OR Gate   | IC103 on JB                  |
|  | 15189210   | I.C. BA 5218F              | Dual Op. Amplifier     | IC13,15,16 on MB             |
|  | 15289710   | I.C. UPD 63200GS           | D/A Converter          | IC17 on MB                   |
|  | 15189250   | I.C. M5218 AL              | Dual Op..Amplifier     | IC1,2,705,706 on LB          |

|              |                       |                    |              |
|--------------|-----------------------|--------------------|--------------|
| 15199937     | I.C. M51953 BP (Flat) | Reset IC           | IC9 on MB    |
| 15289116     | I.C. NJM2082M         | Dual Op. Amplifier | IC14 on MB   |
| J5199102     | I.C. UA 7812 CV       | REGUL.(+12V)       | IC601 on PSB |
| J5199197RI   | I.C. UA 7805 SCNC     | REGUL.(+5V)        | IC603 on PSB |
| J5199103     | I.C. 7912F            | REGUL. (-12V)      | IC602 on PSB |
| # 7699518000 | I.C. FLASH ROM A70    |                    | IC3 on MB    |

**TRANSISTOR**

|          |            |                   |  |
|----------|------------|-------------------|--|
| 15129114 | TRANSISTOR | 2SC-1815GR        | Q6 on MB   |
| 15119113 | TRANSISTOR | 2SA-1015 GR       | Q712,714/721 on LB, Q205,206 on RB               |
| 15129136 | TRANSISTOR | 2SC-2878-A/B      | Q727,728 on LB                                   |
| 15319101 | TRANSISTOR | 2SC-2412          | Q3,5 on MB                                       |
| 15309101 | TRANSISTOR | 2SA-1037KR        | Q2,4,7 on MB                                     |
| 15119163 | TRANSISTOR | RN2227            | Q110,112 on JB ; Q201/204 on RB ; Q722/725 on LB |
| 15129199 | TRANSISTOR | RN1211            | Q711 on LB                                       |
| 00898201 | TRANSISTOR | RN2421            | Q1 on MB   |
| 15129198 | TRANSISTOR | DTA-124 ES        | Q726 on LB ; Q102,108 on JB                      |
| 15129197 | TRANSISTOR | DTC-144 WS        | Q101,107,111 on JB                               |
| 15129160 | TRANSISTOR | DTC-144 ES        | Q105,109 on JB ; Q713 on LB                      |
| 15329502 | TRANSISTOR | DTC-124 EK (CHIP) | DA6 on MB  |

**DIODE**

|            |              |                 |  |
|------------|--------------|-----------------|--|
| 15019159RI | DIODE        | 1N-4148         | on LB ; on RB ; on LCB ; on RCB ; D601 on PSB ; D101/103 on JB |
| 15339105   | DIODE        | DAN-202K (CHIP) | DA2,5 on MB  |
| 15339108   | DIODE        | DA-204K (CHIP)  | DA1,3 on MB  |
| 15339142   | DIODE        | RB705D (CHIP)   | DA4 on MB  |
| 15029284RI | LED DIODE    | TLHR4401 - RED  | on LB ; on RB  |
| 15019345RI | ZENER DIODE  | BZX79C 5.6V     | ZD1 on MB  |
| J5019106   | ZENER DIODE  | BZX79C 5.1V     | ZD701/704,706,708 on LB  |
| J5019114   | DIODE ZENER  | BZX79C 20V      | ZD709 on LB  |
| J5019245   | JUMPER DIODE | 1B4B41 1A/100V  | D603 on PSB  |
| J5019284   | JUMPER DIODE | S2VB20 2A/200V  | D602 on PSB  |

**RESISTOR**

|            |             |                  |                         |
|------------|-------------|------------------|-------------------------|
| 15399917   | CHIP RES.   | ARRAY 4X10K E/U  | RA10,12,17,20,31 on MB  |
| 15399965   | CHIP RES.   | ARRAY 8X10K +C   | RA4,5,18,19,29 on MB    |
| 15399932   | CHIP RES.   | ARRAY 4X100 E/U  | RA13,16,30 on MB        |
| 15399991   | CHIP RES.   | ARRAY 4X22K E/U  | RA11 on MB              |
| 00346690   | CHIP RES.   | ARRAY 8X6.8K +C  | RA1,2,3 on MB           |
| 15399941   | CHIP RES.   | ARRAY 4X390 E/U  | RA6/9,14,15,21/28 on MB |
| 15399946   | CHIP RES.   | ARRAY 4X3.3K E/U | RA32 on MB              |
| 13819132RI | UNINFL.RES. | 100 OHM 0.6W 5%  | R830,831 on LB          |
| J3809150   | UNINFL.RES. | 33 OHM 1/4W 5%   | L2 on MB                |
| J3809144   | UNINFL.RES. | 6.8KOHM 0.6W 5%  | R41,43 on MB            |

**POTENTIOMETER**

|          |             |             |                               |
|----------|-------------|-------------|-------------------------------|
| 13359366 | SLIDER POT. | NA0-X05-B14 | VR701 on LB                   |
| 00891789 | SLIDER POT. | NPE-X05-B14 | VR702/706 on LB ; VR201 on RB |

**CAPACITOR**

|            |                |                  |   |
|------------|----------------|------------------|---|
| J3629123   | ELECTRL.COND.  | 6800U 25V R      | C609 on PSB   |
| J3629103   | ELECTRL.COND.  | 100U 25V P5      | C112 on JB ; C26,60,63,64,71 on MB                  |
| J3629153   | ELECTRL.COND.  | 2200UF 35V R     | C616,617 on PSB                                     |
| J3629135   | ELECTRL. COND. | 470U 35V P5      | C610,611 on PSB                                     |
| J3629105   | ELECTRL.COND.  | 47U 50V P5       | C607 on PSB ; C103,114 on JB ; on MB                |
| J3629106   | ELECTRL.COND.  | 4.7U 63V P5      | C608 on PSB ; C79,81 on MB                          |
| J3629107   | ELECTRL.COND.  | 1UF 100V P5      | C37 on MB   |
| J3629143   | ELECTR. COND.  | 10U 16V H.7      | C758,761,762,763 on LB                              |
| J3629137   | ELECTR. COND.  | 33U 16V H.7      | C717,718,732,733,734,748,752 on LB ; C201,206 on RB |
| J3629142   | ELECTR. COND.  | 1U 63V H.7       | C203,204 on RB ; C719,720,737/746 on LB             |
| J3629149   | ELECTR.COND.   | 100U 16V H.7     | C713,714 on LB                                      |
| J3529104RI | CAPACITOR      | DE1310E472MVA-KH | C1 on PRIMARY B                                     |

**INDUCTOR, COIL, FILTER**

|         |          |            |                     |                       |
|---------|----------|------------|---------------------|-----------------------|
| <<EMI>> | 12449370 | NOISE SUP. | SBT-0160W           | on JB                 |
| <<EMI>> | 12449326 | NOISE SUP. | SBT-0460            | on JB                 |
| <<EMI>> | 13529187 | NOISE SUP. | ELKTR391CA          | on LB ; on RB ; on JB |
| <<EMI>> | 00452034 | NOISE SUP. | BK2125HM102 (CHIP)  | R34 on MB             |
| <<EMI>> | 00907856 | NOISE SUP. | BLM21A601SPT (CHIP) | R14 on MB             |

**CRYSTAL, RESONATOR**

|          |        |                   |          |
|----------|--------|-------------------|----------|
| 00891801 | QUARTZ | 24.000 MHZ MA-406 | X1 on MB |
|----------|--------|-------------------|----------|

**FUSE, FUSE HOLDER**

|             |                  |                   |              |           |
|-------------|------------------|-------------------|--------------|-----------|
| J12559606RI | FUSE 5X20        | 315MAL/250V SEMKO | For 230/240V | F1 on P.B |
| J12559607RI | FUSE 5X20        | 600MA/250V ULCSA  | For 100/117V | F1 on P.B |
| 12199597RI  | FUSE HOLDER T.P1 |                   |              | on P.B    |

**CONNECTOR**

|            |                    |          |  |
|------------|--------------------|----------|--|
| 13419677RI | 16P FEM. CONN. AMP | P. 1.27  | CN3,11 on MB; CN705 on LB ;CN1 on LCB                  |
| 13369689RI | 20P FEM. CONN. AMP | P. 1.27  | CN2,5,8 on MB ; CN707 on LB ; CN201 on RB ; CN2 on RCB |
| J3439108   | 14P MALE CONN.     | P. 1.27  | CN6 on MB  |
| J3439112   | 2P MALE CONN.      | P. 2.5 M | CN7 on MB  |

|            |                   |               |  |
|------------|-------------------|---------------|--|
| J3439121   | 6P MALE CONN.     | P.2 M         | CN706 on LB ; CN101 on JB ; CN202 on RB ; CN601 on PSB |
| J3439122   | 8P MALE CONN.     | P.2 M         | CN10 on MB;CN602 on PSB                                |
| J3439146   | 11P MALE CONN.    | P.2 M         | CN4 on MB ; CN102 on JB                                |
| J3429120   | 3P MALE CONN.     | P.2 M         | CN703 on LB; CN401 on AFTB                             |
| J3439148   | 7P MALE CONN.     | P.2 M         | CN704 on LB; CN103 on JB                               |
| J3439152   | 5P MALE CONN.     | P.3.96 M      | CN603 on PSB   |
| # J3439157 | 20P MALE CONN.    | (52411-0220)  | CN9 on MB  |
| # J3439158 | 4P MALE CONN.     | MA76382-404   | CN402 on AFTB  |
| # J3439159 | 4P MALE CONN.     | 53254 90°.P.2 | CN708 on LB  |
| # J3439160 | 7P MALE CONN. 90° | P2.5          | CN701 on LB  |
| 13439611RI | 3P SCREW CLAMP    | P10           | CN1 on P.B.  |

**WIRING, CABLE**

|              |                |      |        |     |                              |
|--------------|----------------|------|--------|-----|------------------------------|
| 00783234     | BENDER CABLE   | (35) | (W4PC) | P.2 | CN708 on LB to bender        |
| K3468158     | 16P FLAT CABLE | (62) | -2C    |     | CN11 on MB to CN705 on LB    |
| # K3468177   | 16P FLAT CABLE | (56) | -2C    |     | CN3 on MB to CN1 on LCB      |
| K3468152     | 20P FLAT CABLE | (44) | -2C    |     | CN2 on MB to CN2 on RCB      |
| K3468161     | 20P FLAT CABLE | (36) | -2C    |     | CN8 on MB to CN707 on LB     |
| # K3468178   | 20P FLAT CABLE | (44) | -2C/D  |     | CN5 on MB to CN201 on RB     |
| 7698716000   | 3P CABLE ASSY  | (36) | -2C    | P.2 | CN703 on LB to CN401 on AFTB |
| # 7699515000 | 6P CABLE ASSY  | (52) | -2C    | P.2 | CN202 on RB to CN601 on PSB  |
| # 7699516000 | 7P CABLE ASSY  | (20) | -2C    | P.2 | CN704 on LB to CN103 on JB   |
| # 7699517000 | 6P CABLE ASSY  | (24) | -2C    | P.2 | CN706 on LB to CN101 on JB   |
| # 7699514000 | 8P CABLE ASSY  | (44) | -2C    | P.2 | CN10 on MB to CN602 on PSB   |
| # 7699513000 | 11P CABLE ASSY | (34) | -2C    | P.2 | CN4 on MB to CN102 on JB     |

**TRANSFORMER**

|          |                            |     |
|----------|----------------------------|-----|
| J2458140 | POWER TRANSFORMER 100/240V | A70 |
|----------|----------------------------|-----|

**AC INLET**

|            |                          |               |
|------------|--------------------------|---------------|
| # J3449103 | UNIVERSAL AC INLET ON PB | INLET1 on P.B |
|------------|--------------------------|---------------|

**BATTERY**

|            |                        |
|------------|------------------------|
| J2569149RI | LITHIUM BATTERY CR2032 |
|------------|------------------------|

**SCREW**

|            |                 |                      |
|------------|-----------------|----------------------|
| J2289121   | SELF TAP.SCREW  | 2.2X10 TC TC         |
| J2289102   | SELF TAP.SCREW  | 2.9X10 TC TC         |
| J2289213   | SELF TAP.SCREW  | 3.9X16 TC TC PR TROP |
| J2289125   | SCREW           | 2.9X10 TC TC PR TROP |
| J2289130   | SELF TAP.SCREW  | 2.9X13 TC TC PR TROP |
| J2289131   | SELF TAP.SCREW  | 3.5X16 TCTCPRBZ      |
| J2289107   | SELF LOCK.SCREW | M3X6 TC TC H.6       |
| J2289108   | SELF LOCK.SCREW | M3X10 TCTC H.6       |
| J2289193   | SELF LOCK.SCREW | M3X6 TC TC H.6       |
| J2289135   | SELF LOCK.SCREW | M4X 7 TCTC T.8       |
| J2289115   | SELF TAP.SCREW  | 3.5X9.5 TCPRTFR H.8  |
| J2289186   | SCREW           | 3.5X16 TC PR TFR H.8 |
| J2289113   | NUT             | 3MA H.3              |
| K215810301 | BUSHING         | H.14 I.D.14 E.D.16   |

**PACKING**

|            |                               |      |
|------------|-------------------------------|------|
| # K2638178 | RIGHT POLYST. END-SIDE        | A-70 |
| # K2638179 | LEFT POLYST. END-SIDE         | A-70 |
| K2678119   | CARTENE ENVELOPE HD CM.170X56 |      |
| K2678102   | POLYETH. ENVELOPE 25X45       |      |
| # K2618184 | OUTER PACKING                 | A-70 |

**MISCELLANEOUS**

|          |                               |
|----------|-------------------------------|
| J2139106 | WASHER TH.2 E7D 13            |
| K2168102 | SPACER FOR LED H.2.8 D.E. 5.5 |
| J2359105 | PRESSURE RUBBER SFF-018       |
| 12189810 | SPRING SPACER F/PCB           |
| 12569420 | SOCKET FOR BATTERY CR2032     |

**ACCESSORIES**

|             |                              |       |
|-------------|------------------------------|-------|
| J3439150    | MAINS CABLE H05VV+POL.SOCKET | 230V  |
| J3439128    | CABLE 49B/35JT 2X18 AWG-C17  | 117V  |
| J13499108   | MAINS CABLE DC 545 J03       | 100V  |
| J13499152RI | CABLE BS/13/H05VV-F3G 0.75-V | 230VE |
| J13499150RI | CABLE SAA/3-OA3CCFC 3X0.75-V | 240VA |
| 7710610000  | PEDAL DP-2                   |       |
| K6018109    | MIDI GUIDE                   |       |
| # K6018292  | MIDI IMPLEMENTATION MANUAL   | A70   |
| # K6018288  | OWNER'S MANUAL (E)           | A-70  |
| # K6018291  | OWNER'S MANUAL (J)           | A-70  |
| # K6018301  | OWNER'S MANUAL (D)           | A-70  |
| # K6018302  | OWNER'S MANUAL (F)           | A-70  |
| # K6018300  | OWNER'S MANUAL (I)           | A-70  |

## TRANSLATION FROM ENGLISH INTO JAPANESE

### 和文対訳

注意： このサービスノートは英文のみで作成されています。  
和文に関しては、以下を参照してください。

和文目次： テストモード  
ユーザーデータのセーブとロード  
内部RAMの初期化  
フラッシュROMのバージョンアップ方法

### テストモード

注意： テストモードを実行する前に、「ユーザーデータのセーブとロード」の項目を参照して必ずユーザーデータをバックアップして下さい。

テストモードを実行すると各種設定が特殊な設定になります。テストモードを実行した後は、ユーザーデータをロードするか内部RAMの初期化を必ず行って下さい。本体メモリー上のユーザーデータが失われます。

#### ◇用意するもの

- ・ DP-6 (フットペダル)
- ・ EV-5 (エクスペッション・ペダル)
- ・ MIDIシーケンサー
- ・ MIDIケーブル×2
- ・ VEGS1 (ボイスエクспанションボード)
- ・ オシロスコープ
- ・ ヘッドフォン
- ・ 測定用治具 (モノ空プラグ×2)

#### ◇テストモードの入り方

データエントリーのテンキー1, 3, 5を同時に押しながら電源を入れます。バックアップRAMと内蔵バッテリーのチェック結果をLCDに表示します。  
異常があればMAIN BOARD IC6, 10, BT1をチェックして下さい。その後は、バージョンとテスト項目のメニューを表示し、テスト項目受け待ち状態となります。

#### ◇テストモードの抜け方

もう一度電源を入れ直すことにより、通常モードに戻ります。

#### ◇テスト項目

A-70/EXには以下に示すテスト項目があります。  
各テスト項目はデータエントリーのテンキーに割り当てられていて、該当する番号を押すと、それぞれのテスト項目に入ります。各テストの詳細はそれぞれのテスト項目を参照してください。

- 0：バージョン、テスト項目メニュー表示
- 1：SW/LEDテスト
- 2：LCDテスト
- 3：スライダVRテスト
- 4：ペダルテスト
- 5：ペンダー値設定
- 6：ペンダー/ホイールテスト
- 7：MIDIテスト
- 8：(このテスト項目は実行せずに省いて、次の項目に進んで下さい。)
- 9：キーボードテスト 及び 音声信号出力テスト

#### 0：バージョン、テスト項目メニュー表示

概要： バージョンとテスト項目をLCDに表示  
作業： テンキーの0を押してメニュー表示項目に入ります。  
↓  
システムプログラムバージョンとテスト項目のメニューが表示されます。  
↓  
各種の項目入力待ちとなります。

#### 1：SW/LEDテスト

概要： LEDとスイッチの動作確認  
作業： テンキーの1を押してSW/LEDテスト項目に入ります。  
↓  
LEDが全点灯されます。この時点灯していないものがないかを確認します。  
(異常があればcheck 1を参考にして下さい。)  
↓  
それぞれのSWを押して行き、対応するLEDやLCDの文字がすべて消灯する事を確認します。  
(異常があればcheck 1を参考にして下さい。)  
↓  
SW/LEDテスト終了です。

注意： SW/LEDテスト項目からぬけて他の項目に行くためには、ENTERを押しながら各テスト項目に対応したテンキーを押し、各テスト項目に入って下さい。

対処方法：

check 1：  
PANEL L BOARD SW/LED  
PANEL R BOARD SW/LED  
PANEL L BOARD IC709, 710  
PANEL R BOARD IC201  
PANEL L BOARD CN707 <-> MAIN BOARD CN8  
PANEL R BOARD CN201 <-> MAIN BOARD CN5  
MAIN BOARD IC12

## 2 : LCDテスト

概要： LCDのムラやカケ等の異常表示やコントラストのコントロール回路の動作確認  
 作業： テンキーの2を押して、LCDのテスト項目に入ります。  
 ↓  
 LCDのピクセルが全点灯します。  
 LCDの表示にムラ及びカケがないか確認をします。  
 (異常であれば check 1 を確認して下さい。)  
 ↓  
 INC/DEC (または DATA ENTRY スライダー) でLCDのコントラストが変化することを確認  
 します。  
 (異常であれば check 1 を確認して下さい。)  
 ↓  
 LCDテスト終了です。

対処方法：  
 check 1 :  
 LCD UNIT  
 LCD UNIT <-> MAIN BOARD CN6  
 MAIN BOARD IC12

## 3 : スライダーVRテスト

概要： スライダーボリュームの動作確認  
 作業： テンキーの3を押してスライダーVRテスト項目に入ります。  
 ↓  
 TOTAL から DATAENTRY までの6つのスライダーをそれぞれ上下に動かしながら、  
 動きに追従し値が0-10と変化することを確認します。  
 (異常であれば check 1 を確認して下さい。)  
 ↓  
 スライダーVRテスト終了です。

対処方法：  
 check 1 :  
 L BOARD VR702~708  
 R BOARD VR201  
 PANEL L BOARD CN705 <-> MAIN BOARD CN11  
 PANEL R BOARD CN201 <-> MAIN BOARD CN5  
 MAIN BOARD IC7

## 4 : ペダルテスト

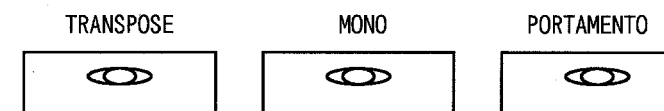
概要： ペダルの動作確認  
 作業： テンキーの4を押してペダルテスト項目に入ります。  
 ↓  
 EV-5をFC, TOTAL VOLに接続してペダリングすると共に、"FC", "Vo"の表示の値が0-10に  
 変化することを確認します。  
 (異常であれば check 1 を確認して下さい。)  
 ↓  
 DP-6をFS, HOLDに接続してペダリングすると共に、"FS", "HOLD"の表示の値が"0", "-"に  
 変化することを確認します。  
 (異常であれば check 2 を確認して下さい。)  
 ↓  
 ペダルテスト終了です。

対処方法：  
 check 1 :  
 JACK B BOARD JK117,118  
 JACK B BOARD CN101 <-> PANEL L BOARD CN706  
 PANEL L BOARD IC708  
 PANEL L BOARD CN705 <-> MAIN BOARD CN11  
 MAIN BOARD IC7

check 2 :  
 JACK B BOARD JK115,116  
 JACK B BOARD CN102 <-> MAIN BOARD CN4  
 MAIN BOARD IC7

## 5 : ベンダー値設定

概要： ベンダーのセンター付近不感帯を設定  
 作業： テンキーの5を押して、ベンダー設定項目に入ります。  
 ↓  
 現在の不感帯のMIN,MAXが表示されます。  
 ベンダーを左いっぱい下げゆっくりセンターへ戻して、TRANSPOSEを押してMINの値を  
 設定します。  
 ↓  
 ベンダーを右いっぱい上げゆっくりセンターへ戻して、PORTAMENTOを押してMAXの値  
 を設定します。  
 ↓  
 ベンダー設定終了です。



注意： ベンダー値の設定を行った後は必ずベンダー/ホイールテストで動作確認を行って下さい。  
 \* ベンダー/ホイールテストを行っても、設定がうまくいかない場合は、次の方法でマニュアル  
 で不感帯を設定できます。

### ◇不感帯のマニュアル調整法

1. カーソルキー" <" でMINの設定モードへ
2. カーソルキー" >" でMAXの設定モードへ
3. INC、DECキーで値の増減

## 6 : ベンダー/ホイールテスト

|     |     |     |     |     |     |
|-----|-----|-----|-----|-----|-----|
| B-  | B+  | Bm  | W+  | W-  | Wm  |
| (1) | (2) | (3) | (4) | (5) | (6) |

概要： ベンダーやホイールの動作確認  
 作業： テンキー6を押してベンダー/ホイールテストモードに入ります。  
 ↓  
 ベンダーを左側に動かしながら図の(1)が0-6以上(注意1参照)で変化することを確認します。  
 ベンダーを離なしているときは値が0であること。  
 (異常であればベンダー値の設定、check 1 を確認して下さい。)  
 ↓  
 ベンダーを右側に動かしながら図の(2)が0-10で変化することを確認します。  
 ベンダーを離なしているときは値が0であること。  
 (異常であればベンダー値の設定、check 1 を確認して下さい。)  
 ↓

ベンダーをリア側に動かしながら図の(3)が0-10で変化することを確認します。  
(異常であれば check 1 を確認して下さい。)

↓

ホイール 1 をリア側に動かしながら図の(4)が0-10で変化することを確認します。  
(異常であれば check 2 を確認して下さい。)

↓

ホイール 1 を手前に動かしながら図の(5)が0-10で変化することを確認します。  
(異常であれば check 1 を確認して下さい。)

↓

ホイール 2 を手前からリア側に動かしながら図の(6)が0-10で変化することを確認します。  
(異常であれば check 1 を確認して下さい。)

↓

ベンダー/ホイールテスト終了です。

対処方法:

check 1 :  
BENDER <-> PANEL L BOARD CN708  
PANEL L BOARD IC705,707  
PANEL L BOARD CN705 <-> MAIN BOARD CN11  
MAIN BOARD IC7

check 2 :  
WHEEL <-> PANEL L BOARD CN701  
PANEL L BOARD IC706,707,708  
PANEL L BOARD CN705 <-> MAIN BOARD CN11  
MAIN BOARD IC7

## 7 : M I D I テ ス ト

|     |     |     |     |     |     |
|-----|-----|-----|-----|-----|-----|
| I1  | I2  | O1  | O2  | O3  | O4  |
| (1) | (2) | (3) | (4) | (5) | (6) |

概要: M I D I の I N、O U T、T H R U 端子の動作確認  
作業: テンキーの7を押して、M I D I テスト項目に入ります。

↓

一本の M I D I ケーブルを I N2, O U T1 に接続して、図(2), (3)の表示が"- "から"0"に変わることを確認します。

↓

もう一本を I N1, T H R U に接続して、図(1)の表示が"- "から"0"に変わることを確認します。  
(異常があれば check 1 を参考にして下さい。)

↓

I N2, O U T1 の M I D I ケーブルの I N2 を接続したまま、もう一方を順次 O U T2 と O U T3 と O U T4 に接続して、図(4), (5), (6)の表示が"- "から"0"に変わるかを確認します。  
(異常があれば check 1 を参考にして下さい。)

↓

M I D I テスト終了です。

対処方法:

check 1 :  
JACK BOARD Q110,111,112,IC101,102,103  
JACK BOARD CN102 <-> MAIN BOARD CN4  
MAIN BOARD IC11

8 : このテスト項目は実行せずに省いて、次の項目に進んで下さい。

## 9 : (1) キーボードテスト

概要: キーボードの動作及び音声信号確認  
作業: テンキーの9を押して、キーボードテスト項目に入ります。

↓

任意のキーを叩いて、キーナンバー、オンベロシティ、オフベロシティは正しくであることを確認します。  
各キーに対応したピアノの音が出ていることを確認します。\*  
(異常があれば check 1 を参考にして下さい。)

↓

任意のキーを押し込んでみる。アフタータッチが0-6以上に変化することを確認します。  
(異常があれば check 2 を参考にして下さい。)

↓

キーボードテスト終了です。

\* V E シリーズを本体にセットし、O U T P U T ジャックにアンプを接続しておけば、ピアノの音が出ます。

対処方法:

check 1 :  
KEYBOARD <-> MAIN BOARD CN2,3  
MAIN BOARD IC1

check 2 :  
KEYBOARD <-> AFT BOARD CN402  
AFT BOARD CN401 <-> PANEL L BOARD CN703  
PANEL L BOARD IC706,707  
PANEL L BOARD CN705 <-> MAIN BOARD CN11  
MAIN BOARD IC7

## 9 : (2) 音声信号出力テスト

概要: L I N E - O U T (アンバランス、バランス、L ( M O N O ) ) 等のチェック。

追記説明 (機能):

・ L I N E O U T インピーダンス : 1680Ω  
L ( m o n o ) インピーダンス : 840Ω

・ L I N E O U T R にプラグが挿してないと、L c h と R c h がミックスされて L I N E O U T L から出力されます。これを、L ( M O N O ) といいます。

作業:




電源オフにして、V E - G S 1 を本体にセットします。

↓

テストモードに入り、テンキーの9を押して、キーボードテスト項目に入ります。

↓

下図指示の、TRANSPOSE, MONO, PORTAMENTO のキーを押すことにより L I N E O U T に正弦波が出力されます。

| スイッチ操作  |  |  |
|---|--|--|
| TRANSPOSE<br><br>押す<br>正弦波を LINE OUT と PHONES OUT L のみに出力する。 | MONO<br><br>押す<br>正弦波を LINE OUT と PHONES OUT L と R に出力する。 | PORTAMENTO<br><br>押す<br>正弦波を LINE OUT と PHONES OUT R のみに出力する。 |



下の表に測定値を記しています。オシロスコープで綺麗な正弦波であることと、各波形の波高値が正しい事を確認して下さい。(異常が有れば、check1を参考にして下さい。)

出力の確認

|        |         | スイッチ操作          |                |                  |
|--------|---------|-----------------|----------------|------------------|
|        |         | TRANSPOSE<br>押す | MONO<br>押す     | PORTAMENTO<br>押す |
| Stereo | L       | V OUT Vpp=2.5V  |                | No Output        |
|        | R       | No Output       |                | V OUT Vpp=2.5V   |
| Mono   | L(MONO) | V OUT Vpp=1.25V | V OUT Vpp=1.5V | V OUT Vpp=1.25V  |

下の表に測定値を記しています。オシロスコープで綺麗な正弦波であることと、各波形の波高値が正しい事を確認して下さい。(異常が有れば、check1を参考にして下さい。)

ミュートチェック

作業:

ラインアウトにアンプをつなげます。  
アンプと本体 INT スライダーボリュームは最大にします。  
↓  
A-70の電源ON時に、アンプからポップノイズがしないことやLCDが乱れないことを確認します。  
(異常が有れば、check1を参考にして下さい。)  
↓  
また、電源オフ時のときも同様に確認をします。

ヘッドホン出力チェック

作業:

電源オフにして、ヘッドホンとVE-GS1を本体にセットします。  
↓  
テストモードに入りテンキーの9を押して、キーボードテスト項目に入ります。  
↓  
TRANSPOSE, MONO, PORTAMENTOのスイッチを押して下図に振り当てたとおりに、ヘッドホンから音が出ていることを確認します。(異常が有れば、check2を参考にして下さい。)

| スイッチ操作                 |                            |                        |
|------------------------|----------------------------|------------------------|
| TRANSPOSE              | MONO                       | PORTAMENTO             |
| 押す<br>ヘッドホンから右だけ聞こえます。 | 押す<br>ヘッドホンから両方同じ音量で聞こえます。 | 押す<br>ヘッドホンから左だけ聞こえます。 |

↓  
ひきつづきボリュームのチェック  
MONOスイッチを押して、INTスライダーボリュームを上から下まで動かして、ガリや音が絞れるかを確認します。  
(異常が有れば、check3を参考にして下さい。)  
↓  
音声出力検査終了です。

対処方法:

- check1:  
VE-GS1 CONNECT RETRY  
PANEL L <-> MAIN CN11 (CABLE)  
PANEL L <-> JACK CN103(CABLE)  
MAIN IC17, IC15, IC16  
PANEL L IC2
- check2:  
PANEL L <-> JACK CN103 (CABLE)  
MAIN Q3, Q4, Q5, Q6, Q7  
MAIN DA5, DA6  
PANEL L IC1
- check3:  
PANEL L VR701

ユーザーデータのセーブとロード

A-70のメモリーの内容を、シーケンサーやバルクデータを記録できるMIDI機器に対して送信することができます。記録されたデータはMIDI IN2でいつでも受信することができます。  
・データを受信した場合、メモリーの設定は上書きされます。

この操作で、下記内容がシーケンサーに保存できます。

- ・テンポラリー・エリアのパフォーマンス/チェーンの設定
- ・マニュアル・モードの設定
- ・システムの設定 (コントローラーのアサインとユーザー・ネーム・マップを除く)
- ・コントローラーのアサイン
- ・インターナル・メモリーのパフォーマンス/チェーンすべて
- ・ユーザー・ネーム・マップ

はじめに、デバイスIDを設定します。(EDIT:SYS、E01)

1. [EXIT]を押して(インジケータ点灯)エディット・モードに切り換え、メニューまたはショートカットでDev IDを選びます。

|            |                |               |
|------------|----------------|---------------|
| <b>E01</b> | <b>Ctrl ch</b> | <b>Dev ID</b> |
|            | >16            | >17           |

2. CURSOR [>]でカーソルを右に移動し、DATA ENTRYでデバイスID(初期設定:17)を設定します。  
A-70/EX同士で送受信する場合はお互いのデバイスIDを合わせて下さい。

この設定は、システムの設定として自動的に保存されます。

次に送信する内容と出力するMIDI OUTを設定します。  
(UTILITY:BLK U50)

3. [UTILITY] を押して(インジケータ点灯) ユーティリティー・モードに切り替え、メニューまたはショートカットでBulk Dumpを選びます。



- a. テンポラリー・エリアのパフォーマンス/チェーンの設定  
 b. マニュアル・モードの設定  
 c. システムの設定 (コントローラーのアサインとユーザー・ネーム・マップを除く)  
 d. コントローラーのアサイン  
 e. インターナル・メモリーのパフォーマンス/チェーンすべて  
 f. ユーザー・ネーム・マップ
5. MIDI OUTPUT スイッチを使用して、出力する MIDI OUT を選びます。
6. [ENTER] を押すと、送信するかどうかを確認するメッセージが表示されます。送信してもよければ [ENTER] を押します。中止する場合は [EXIT] を押します。



## 内部RAMの初期化

- MANUAL ボタンを押しながら電源を入れると、内蔵しているボイスエキスパンションボードを自動判別し、そのエキスパンション用にイニシャライズされます。  
CHAIN ボタンを押しながら電源を入れると、ボイスエキスパンションボードの有無に関わらず VE-RD1 用にイニシャライズされます。  
EDIT ボタンを押しながら電源を入れると、ボイスエキスパンションボードの有無に関わらずエキスパンションボードを差さない設定にイニシャライズされます。
- 各ボタンを押しながら電源を入れた後 ENTER ボタンを押すと、各設定にイニシャライズされます。

## フラッシュROMのバージョンアップの方法

- ◇ A-70はフラッシュメモリーを搭載したことでMIDIからプログラムのバージョンアップが可能です。

注意： フラッシュROMに書き込み時に電源が落ちると、フラッシュROMのデータが破壊され二度と書換えができない状態になります。その場合はROMの張り替えが必要になります。途中でA-70の電源が落ちるなどの事故が起きにくい環境で作業を進めてください。

### ◇用意するもの

A-70/EXバージョンアップ用ディスク  
 SMFプレイヤー (SB-55等 SMFが再生できればなんでもよい)  
 フットペダル (DP-6) × 2 (モノ空プラグ2個でも可)  
 MIDIケーブル

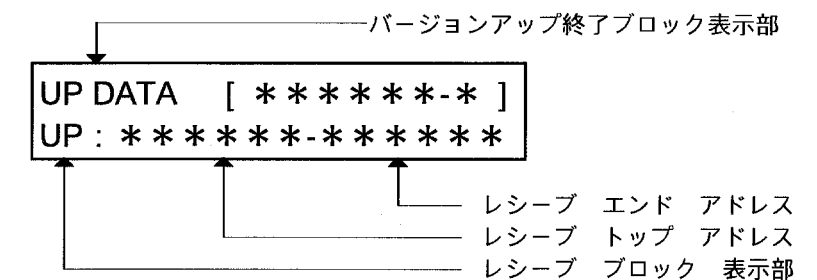
\* バージョンアップディスクにはA-70のプログラムをSMFにコンバートしたものが入っています。サービスセンターから最新の物を取り寄せて下さい。

ファイルネームは  
 \_00001.mid  
 \_00002.mid  
 :  
 \_00008.mid

となっており、\_00008.mid は必ず存在し、\_00001.mid ~ \_00007.mid はプログラムのサイズにより存在する場合としない場合があります。

### ◇バージョンアップ作業

- ユーザーメモリーを必要に応じてシーケンサーにセーブしておいて下さい。バージョンアップによりユーザーメモリーの内容は失われます。
- ペダル (またはモノ空プラグ) をA-70のHOLDとFSに接続します。
- SMFプレイヤーのMIDI OUTをA-70のMIDI IN2に接続します。
- 2つのペダルを踏み、(モノ空プラグの場合は接続するだけでよい) OUT1ボタンを押しながら電源を入れるとLCDに



と表示され、バージョンアップモードになります。

- SMFプレイヤーでファイルネームの番号の小さいものから順に一つずつプレイします。(SB-55の場合は自動的に\_00001.mid から再生されます。)  
レシーブ中はレシーブ ブロック/トップ アドレス/エンド・アドレスにそれぞれの情報が表示されます。

\*レシーブ ブロックには  
 \_00001.mid B1 (Block 1)  
 \_00002.mid B2 (Block 2)  
 :  
 \_00008.mid B8 (Block 8)

と表示。

\*レシーブ トップ・エンド アドレスには  
 \_00001.mid FF0000-FFFFFF  
 \_00002.mid FE0000-FFFFFF  
 :  
 \_00008.mid F80000-FFFFFF

と表示。

- ひとつのファイルをプレイし終わったら、SMFプレイヤーを一旦止めます。(SB-55の場合は連続して次のファイルをプレイし始めるので注意が必要です)

6. レシーブ トップ アドレスの下4桁が 0000 であることと、レシーブ エンド アドレスの下4桁が FFFF であることを確認して、A-70のENTERボタンを押すと

```
UPDATE [ * * * * * * * * ]
B1:CE9A UPDATE ?
```

↑ チェックサム表示

といった表示になります。ディスクラベルのチェックサムと照合し確認後、ENTERボタンを押すとバージョンアップが開始されます。チェックサムが異なる場合は、EXITボタンを押して上記3の画面に戻り、もう一度ファイルを転送して下さい。

\*ENTERを押すと表示部に

ERASE → WRITE → CE9A-CE9A OK

と表示されますが、ERASE及びWRITE中には絶対に電源を落とさないよう御注意願います。最悪の場合A-70が立ち上がらなくなることがあります。

7. バージョンアップが終了すると

```
UPDATE [ 1 * * * * * * * * ]
B1:CE9A CE9A OK
```

と表示され、ブロック1がバージョンアップ出来たことを示すバージョンアップ終了ブロック表示部にブロックのNoが表示されます。

8. ENTERを押すと

```
UPDATA [ 1 * * * * * * * * ]
* * : * * * * * * - * * * * * *
```

といった表示になりますので、ここで次のファイルを送信してください。

9. 上記 4から8の作業を全てのファイルを転送するまで行なって下さい。  
全てのブロックのバージョンアップが終了すると

```
UPDATA [ 1 2 3 4 5 6 7 8 ]
* * : * * * * * * - * * * * * *
```

といったようにバージョンアップ終了ブロック表示部から\*がなくなります。この状態を確認の後、電源を落として下さい。

#### ◇バージョンアップ後の調整

バージョンアップにより、A-70のユーザーメモリーは失われています。このために調整が必要です。調整が必要なものは

ベンダー値設定  
ユーザーメモリーの初期化  
ユーザーメモリーへのカードからのロード（必要に応じて）  
です。

1. ベンダーのセンター合わせ  
テストモード項目のベンダー値設定（5番）を参照して下さい。
2. ユーザーメモリーの初期化  
内部RAMの初期化の項目を参照して下さい。  
必要に応じてシーケンサーからデータをロードして下さい。  
ユーザーデータのセーブとロードの項目を参照して下さい。