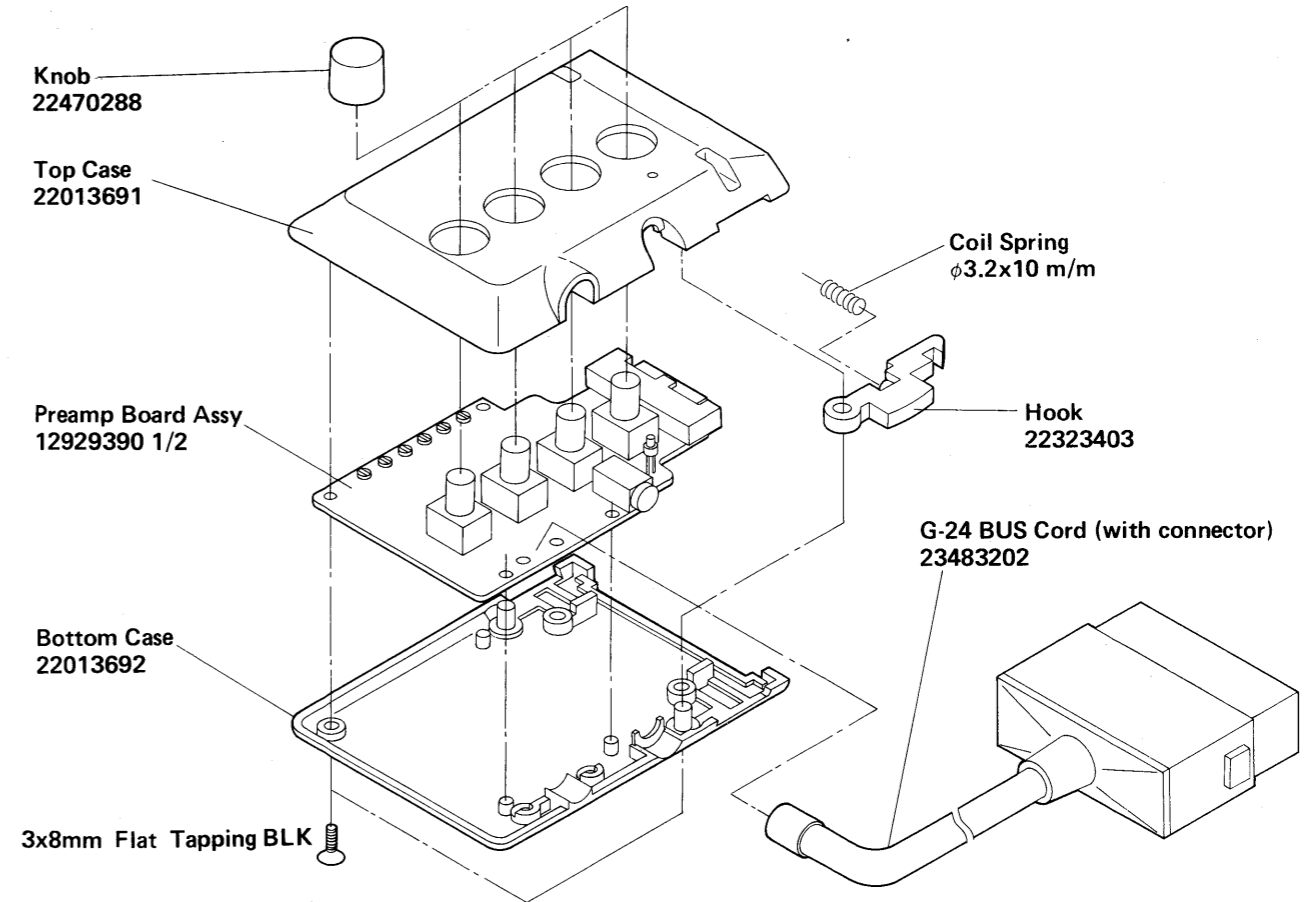
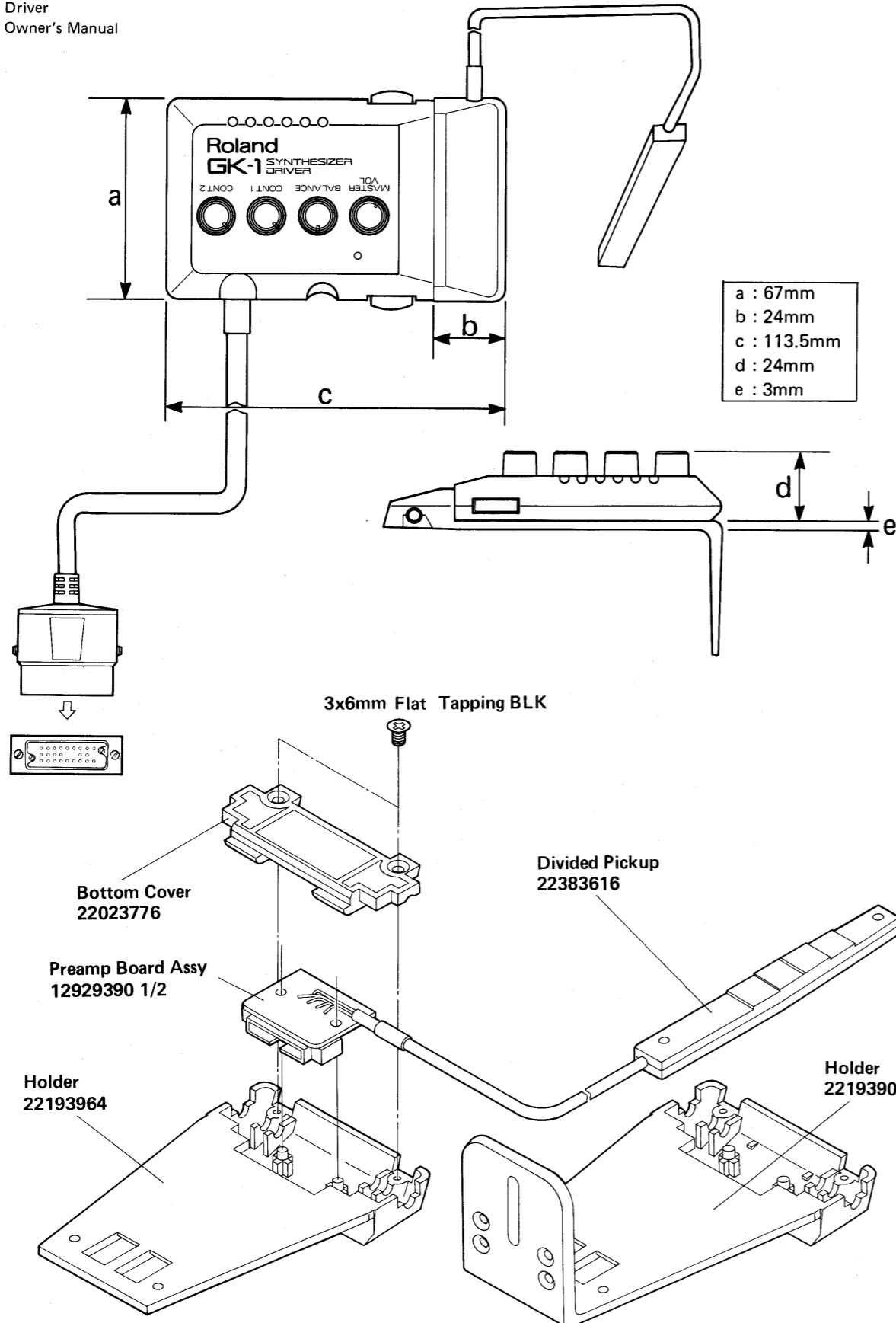


GK-1

SERVICE NOTES *First Edition*

SPECIFICATIONS

- Weight : 428 g./15 oz.
 Accessories : Cord for Normal Guitar x 1
 Parts for installation
 Driver
 Owner's Manual



PARTS LIST

CASING

22013691	Top Case
22013692	Bottom Case
22323403	Hook
22470288	Knob
22173179	Coil Spring 3.2 x 10mm
22193907	Holder
22193964	Holder
22023776	Bottom Cover

PCB ASSY

12929390	Preamp Board (with connector board)
----------	-------------------------------------

POTENTIOMETER

13279814	EVU-F2A15B14	10KB
----------	--------------	------

CONNECTOR

13429810	PICL-S15S-LT-1
13429809	PICL-S15P-LT-1

PICKUP

22383616	Divided Pickup
----------	----------------

CORD

23483202	G-24 BUS Cord (with connector)
----------	--------------------------------

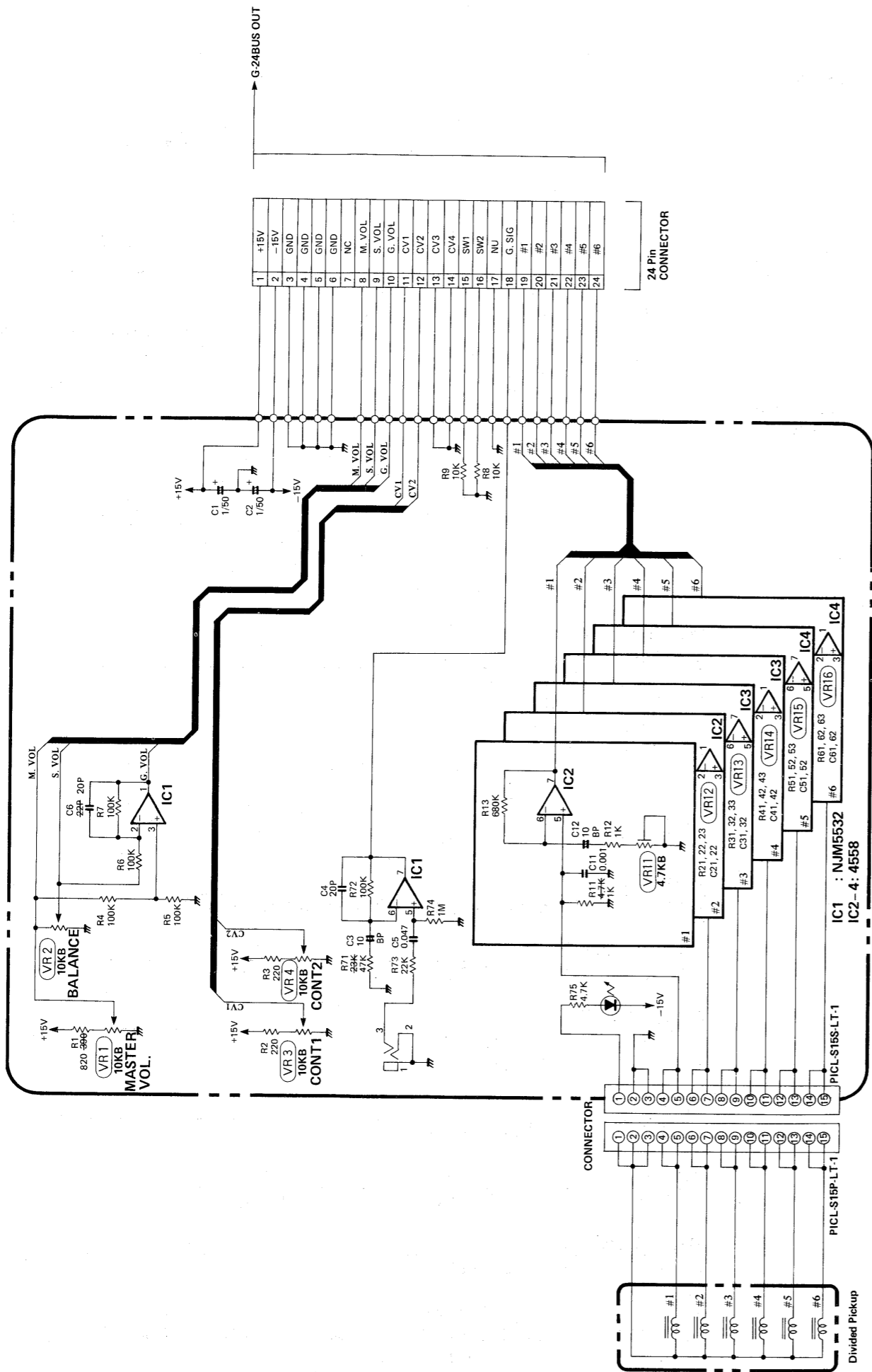
MISCELLANEOUS

22263377	Pickup Cushion	
22263378	Holder Spacer	
22163546	Pickup Spacer	
22173181	Coil Spring 3.2 x 16mm	Divided Pickup
23483204	Normal Guitar Cord	
22353367	Double Sided Adhesive Tape	
22563334	Screwdriver	

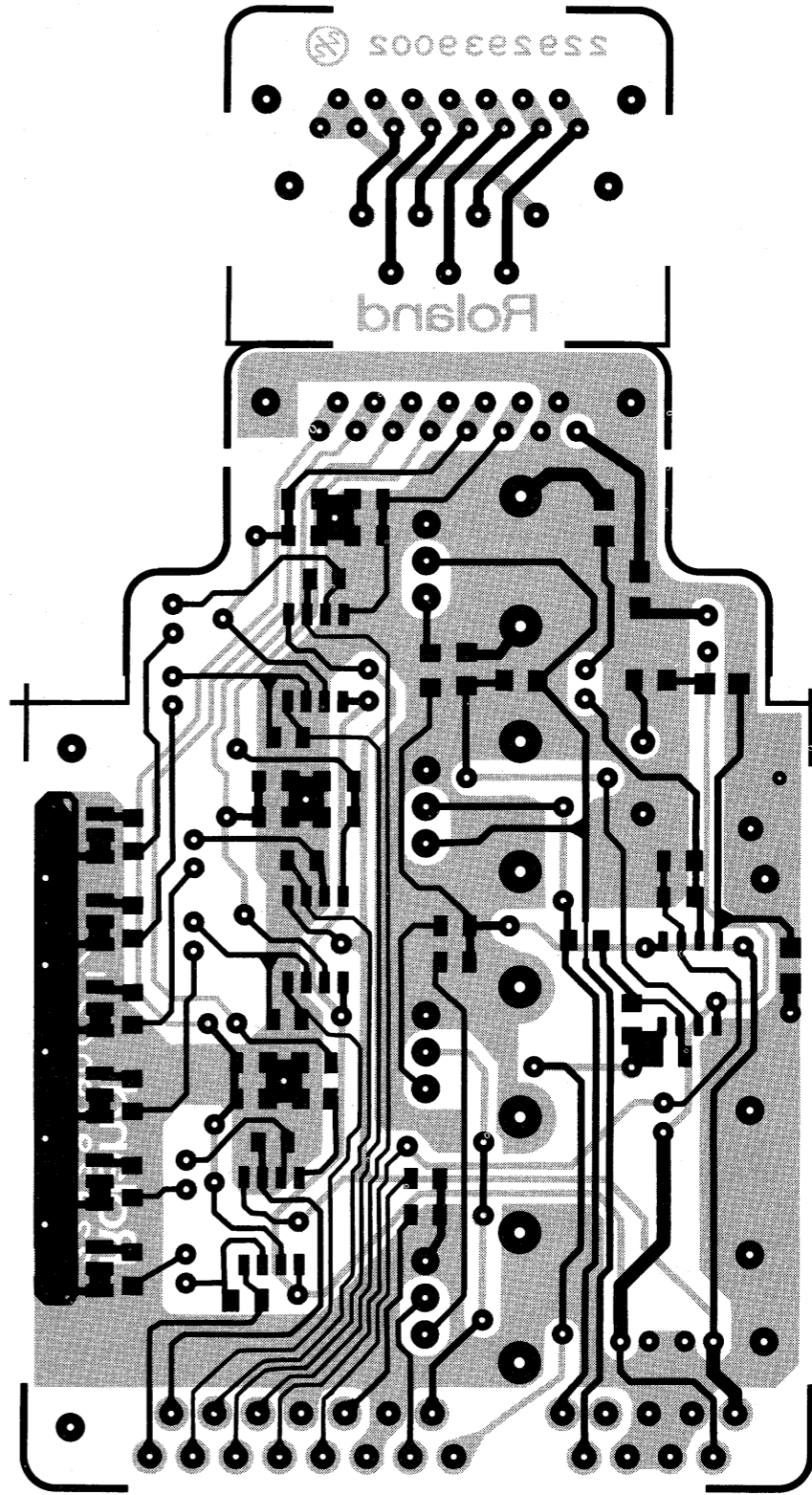
1 2 3 4 5 6 7 8 9 10 11 12 13 14 15 16 17 18 19 20 21 22 23 24 25 26 27 28 29 30 31 32 33 34 35 36 37 38

A B C D E F G H I J K L M N O P Q R S T U V W X Y Z

CIRCUIT DIAGRAM



PRE AMP BOARD
ASSY 12929390



View from component side