

KC-500

STEREO MIXING KEYBOARD AMPLIFIER

SERVICE NOTES

First Edition

Issued by RJA

TABLE OF CONTENTS

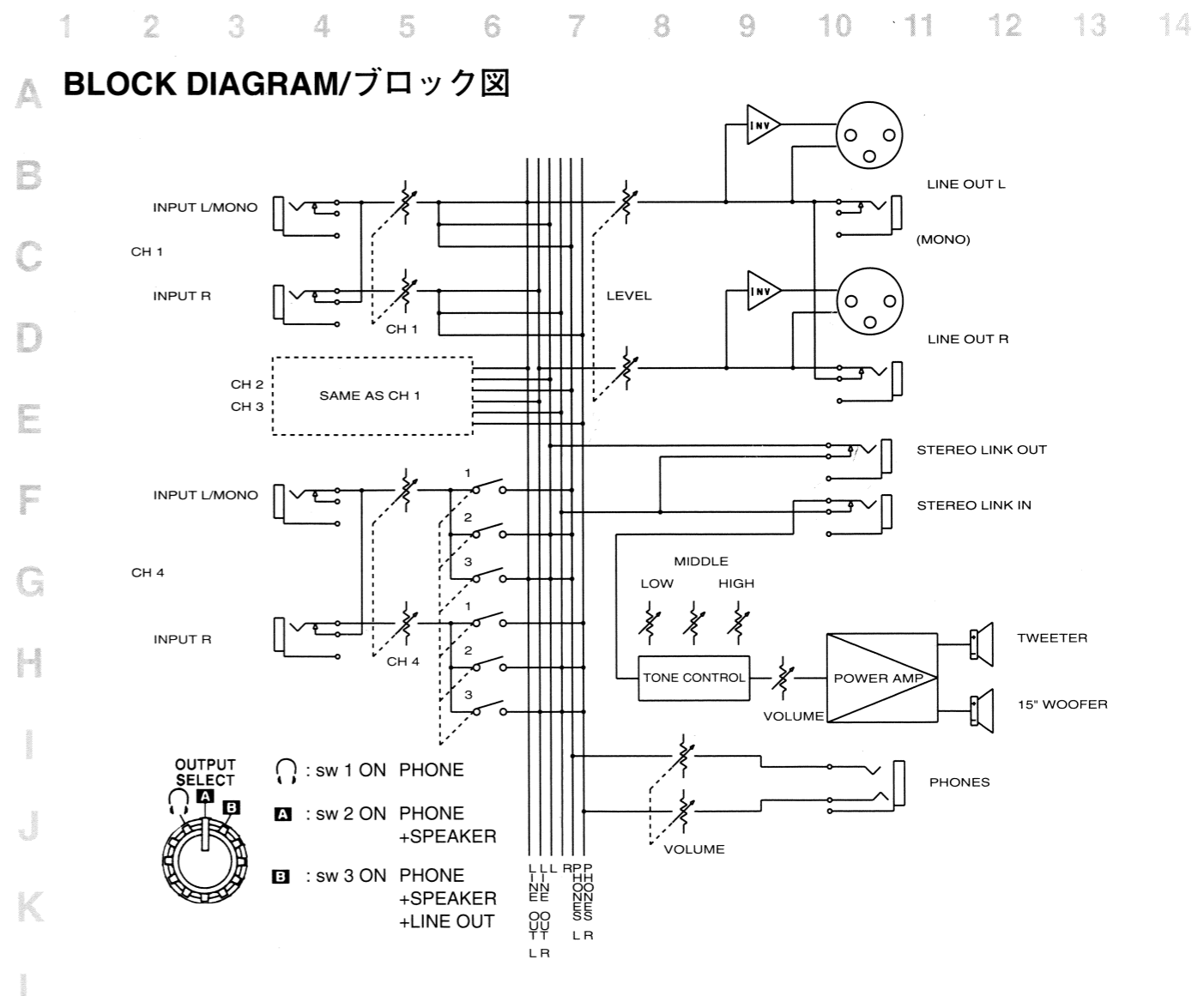
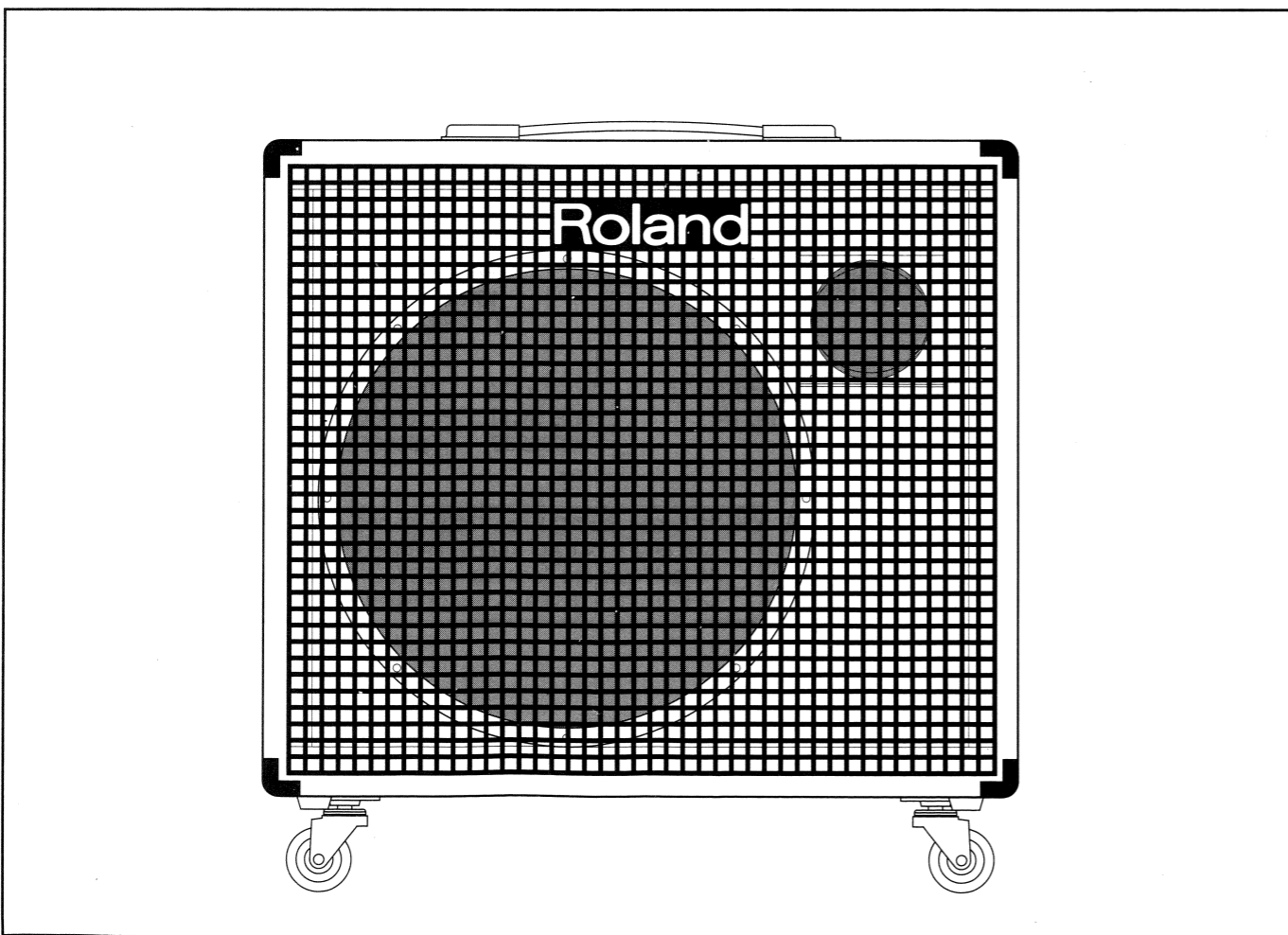
目次

Page

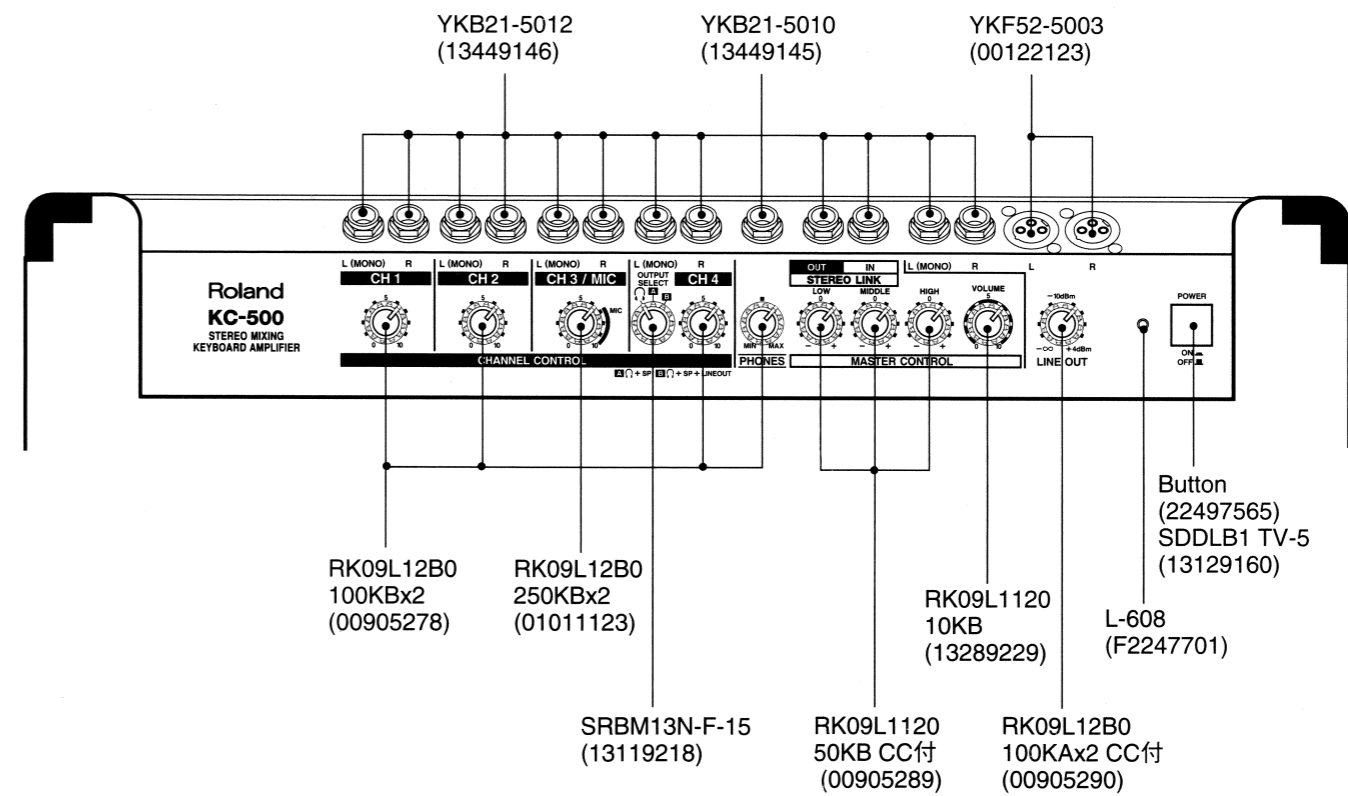
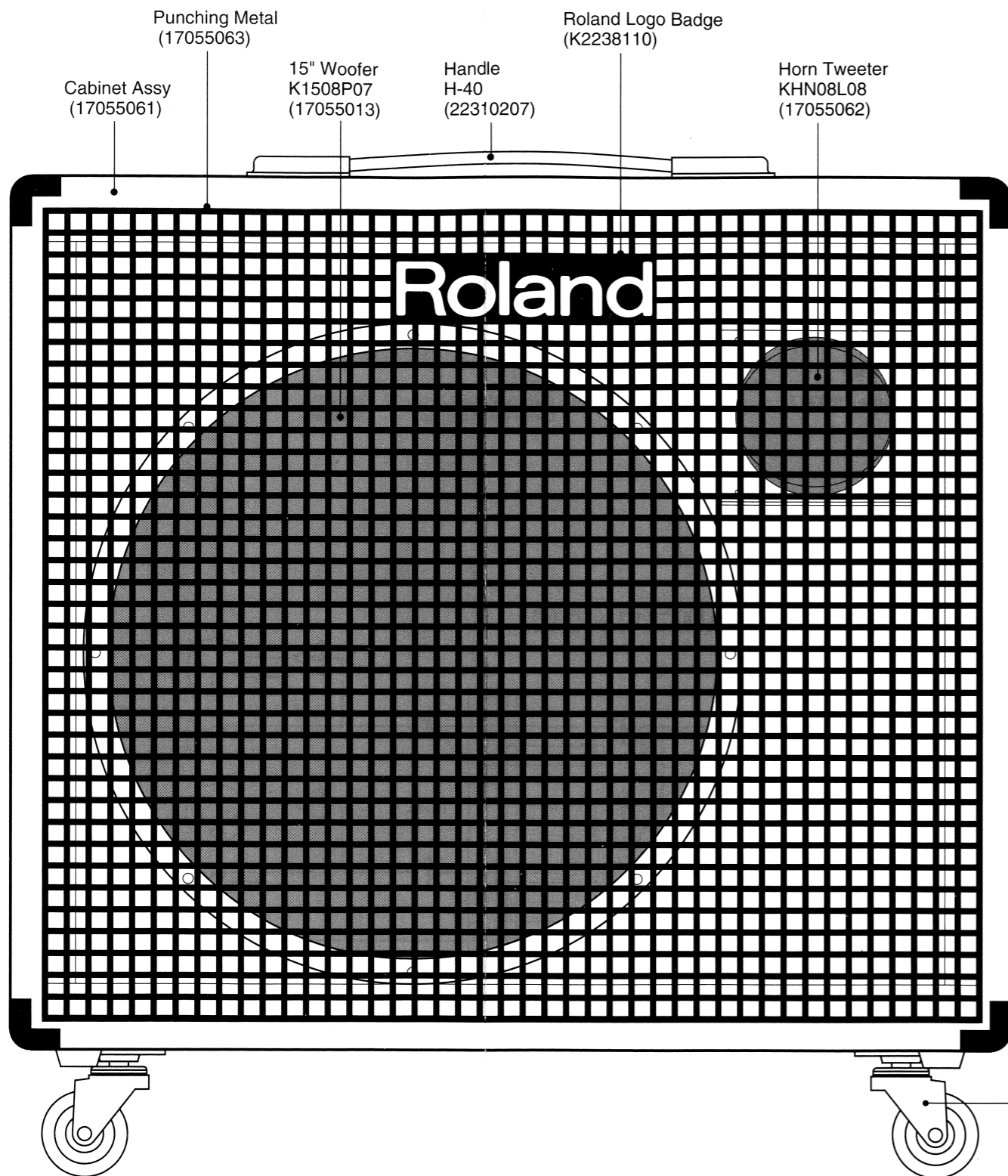
SPECIFICATIONS	仕様	1
BLOCK DIAGRAM	ブロック図	1
LOCATION OF CONTROLS	パネル配置図	2
EXPLODED VIEW	分解図	3、4
PARTS LIST	パーツリスト	5
MAIN AMP BOARD ASS'Y	MAIN AMP BOARD ASS'Y	6、7
PRE AMP BOARD ASS'Y	PRE AMP BOARD ASS'Y	8~10

SPECIFICATIONS / 仕様

- Rated Power Output / 定格出力 : Speaker / スピーカー出力:150W
Phones / ヘッドフォン出力:90mW+90mW (両チャンネル100Ω負荷時)
- Nominal Input Level / 規定入力レベル : INPUT Channel 1,2,4 : -20dBm
Channel 3 : -50dBm
- Nominal Output Level / 規定出力レベル : STEREO LINK IN : 0dBm
STEREO LINK OUT : 0dBm
LINE OUT : +4dBm 0dBm=0.775Vrms
- Speaker / スピーカー : 38cm (15")×1+Horn Tweeter×1
- Controls / コントロール : Channel 1 VOLUME
Channel 2 VOLUME
Channel 3 VOLUME
Channel 4 OUTPUT SELECT Switch
PHONES VOLUME
LOW
MIDDLE
HIGH
VOLUME
LINE OUT LEVEL
- Connectors / 接続端子 : Channel 1 INPUT Jack (L/MONO, R)
Channel 2 INPUT Jack (L/MONO, R)
Channel 3 INPUT Jack (L/MONO, R)
Channel 4 INPUT Jack (L/MONO, R)
PHONES Jack
STEREO LINK Jack (IN, OUT)
LINE OUT Jack
(XLR Balanced L, R, 1/4" Phone Unbalanced L/MONO, R)
- Power Consumption / 消費電力 : 85W (AC100V)
125W (AC117V, 230V or 240V)
- Dimensions / 外形寸法 : 590 (W) ×448 (D) ×591 (H) mm
23-1/4(W)×17-11/16(D)×23-5/16(H)inches
- Weight / 重量 : 31.5kg
69lbs 8oz
- Accessories / 付属品 : Owner's Manual(Japanese) (00908978)
Owner's Manual(English) (00908956)



LOCATION OF CONTROLS/パネル配置図



Caster
3020-11-SR
(00677923)

※ All knobs are AC Knob (7098605000).
つまみはすべてAC Knob (7098605000)です。
All jack nuts are Jack Nut #756 (2215075600).
ジャックナットはすべてJack Nut #756 (2215075600)です。

EXPLODED VIEW(CABINET)/分解図 (キャビネット)

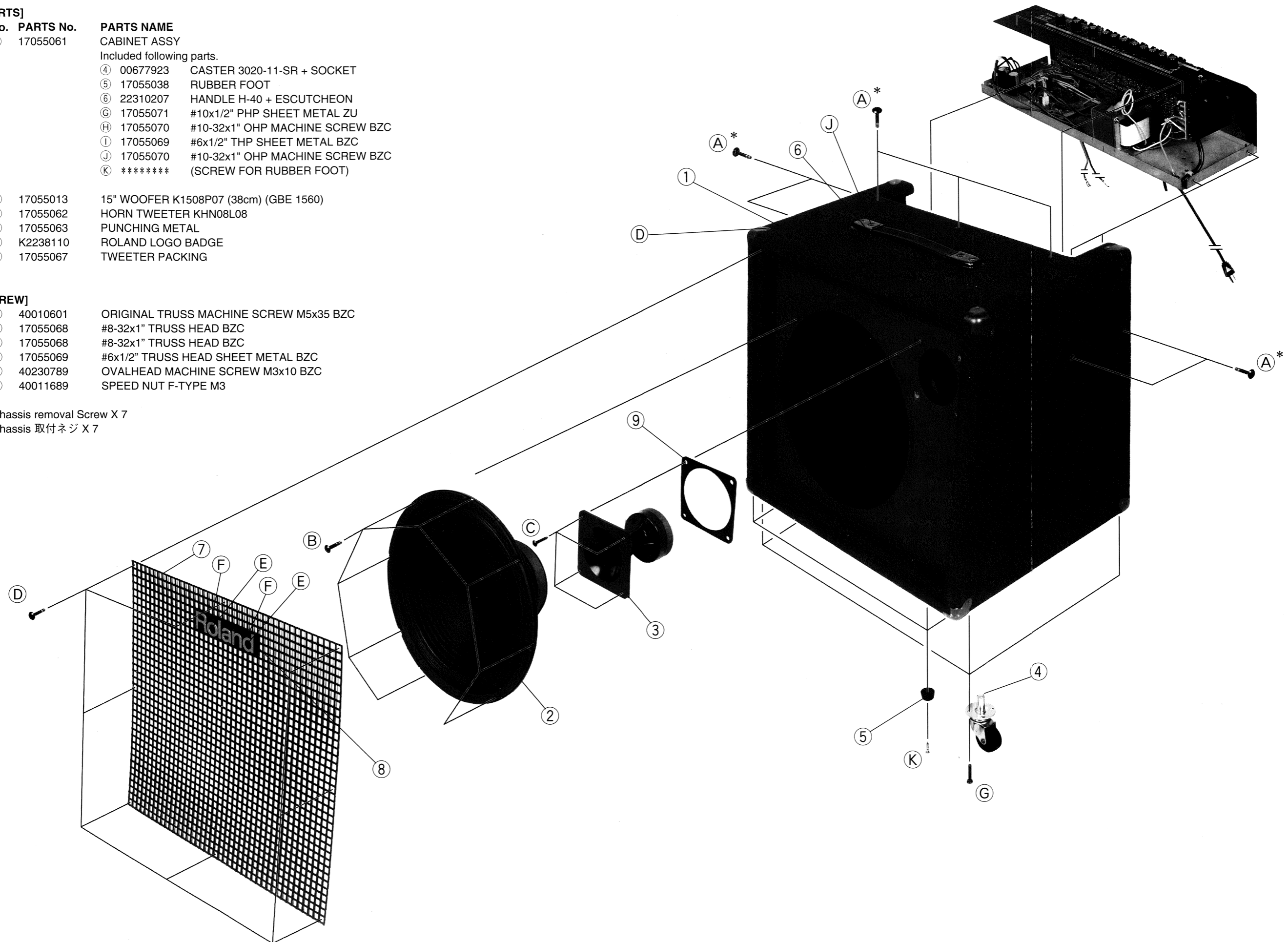
[PARTS]

No.	PARTS No.	PARTS NAME
①	17055061	CABINET ASSY Included following parts.
④	00677923	CASTER 3020-11-SR + SOCKET
⑤	17055038	RUBBER FOOT
⑥	22310207	HANDLE H-40 + ESCUTCHEON
⑥	17055071	#10x1/2" PHP SHEET METAL ZU
⑧	17055070	#10-32x1" OHP MACHINE SCREW BZC
①	17055069	#6x1/2" THP SHEET METAL BZC
②	17055013	15" WOOFER K1508P07 (38cm) (GBE 1560)
③	17055062	HORN TWEETER KHN08L08
⑦	17055063	PUNCHING METAL
⑧	K2238110	ROLAND LOGO BADGE
⑨	17055067	TWEETER PACKING

[SCREW]

Ⓐ	40010601	ORIGINAL TRUSS MACHINE SCREW M5x35 BZC
Ⓑ	17055068	#8-32x1" TRUSS HEAD BZC
Ⓒ	17055068	#8-32x1" TRUSS HEAD BZC
Ⓓ	17055069	#6x1/2" TRUSS HEAD SHEET METAL BZC
Ⓔ	40230789	OVALHEAD MACHINE SCREW M3x10 BZC
Ⓕ	40011689	SPEED NUT F-TYPE M3

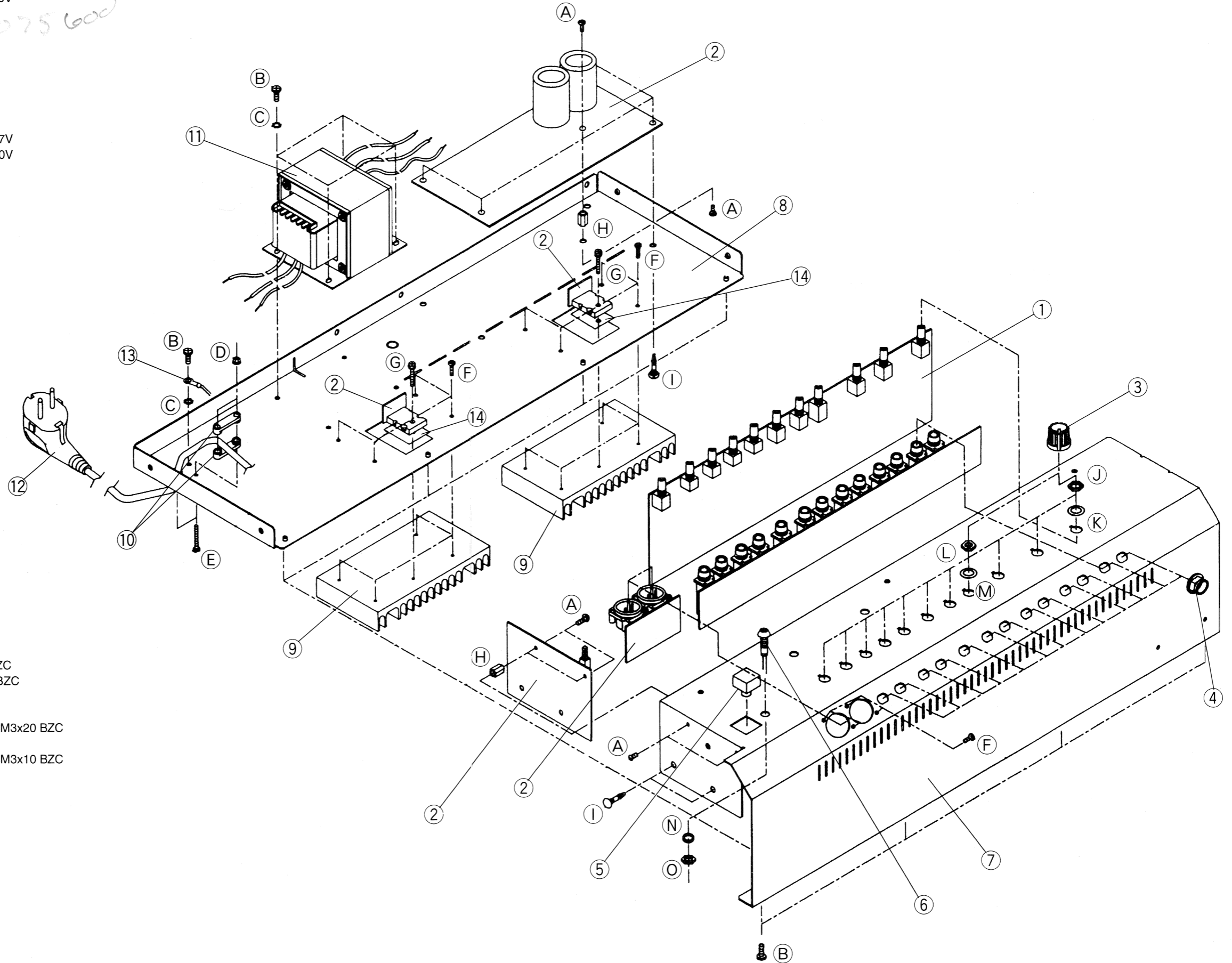
* Chassis removal Screw X 7
Chassis 取付ネジ X 7



EXPLODED VIEW(CHASSIS)/分解図 (シャーシ)

[PARTS]

No.	PARTS No.	PARTS NAME
①	0090615600	PREAMP BOARD ASSY
②	0090618900	MAINAMP BOARD ASSY 230/240V
③	2215075600	AC KNOB
④	7098605000	JACK NUT #756
⑤	22497565	POWER BUTTON
⑥	F2247701	POWER LED L-608
⑦	G2217114	PANEL
⑧	G2817112	CHASSIS
⑨	G2467104	HEATSINK K-123
⑩	12369410RT	CORD HOLDER 1702B
⑪	G2457129	POWER TRANSFORMER 100/117V
	G2457130	230/240V
⑫	G3497123	AC CORD VCTF 100V
	G3497124	SJT 3P 117V
	G3497125	SY010 BLK 230V
	G3497127	5722-660-4527 230VE
	G3497126	FC-305 240VA
⑬	F4009831	230/240V WIRING J
⑭	G2257113	TO-3P INSULATING SHEET



[SCREW]

Ⓐ	40010178	BINDING MACHINE SCREW M3x6 ZC
Ⓑ	40010334	BINDING MACHINE SCREW M4x8 BZC
Ⓒ	40011889	EXT TOOTH WASHER M4 ZC
Ⓓ	40011756	FLANGE NUT M3 ZC
Ⓔ	H5019411	BINDING MACHINE SCREW W/SW M3x20 BZC
Ⓕ	40011312	BINDING TAPTITE P 3x8 BZC
Ⓖ	40010434	BINDING MACHINE SCREW W/SW M3x10 BZC
Ⓗ	22157501	STAND OFF M3 L10
Ⓘ	F2199505	SPACER SCB-10
Ⓝ	*****	VR NUT M9
Ⓚ	*****	VR WASHER M9
Ⓛ	*****	VR NUT M7
Ⓜ	*****	VR WASHER M7
Ⓝ	*****	LED WASHER M8
Ⓞ	*****	LED NUT M8

PARTS LIST/パーツリスト

SAFETY PRECAUTIONS:
The parts marked Δ have safety-related characteristics. Use only listed parts for replacement.
安全上の注意：
 Δ が付いている部品は、安全上特別な規格でつくられたものです。交換の際は、指定された部品番号以外の部品は使わないようにして下さい。

CONSIDERATIONS ON PARTS ORDERING
When ordering any parts listed in the parts list, please specify the following items in the order sheet.
Ex. QTY PART NUMBER DESCRIPTION MODEL NUMBER
10 22575241 Sharp Key C-20/50
15 2247017300 Knob (orange) DAC-15D
Failure to completely fill the above items with correct number and description will result in delayed or even undelivered replacement.
パーツ発注に関するお願い
オーダーシートには、必ず下記の4項目は正確に記入して下さい。(例外は除く)
必要数 パーツナンバー 品名 使用機種
例) 10 22575241 Sharp Key C-20/50
15 2247017300 Knob (orange) DAC-15D
もし記入漏れ、誤記等がある場合、必要部品が発送出来なかったり、大遅れの原因になります。御協力をお願いします。

PR	====>	PRE AMP BOARD	JK	====>	JACK BOARD
MN	====>	MAIN AMP BOARD	PS	====>	POWER SW BOARD
XLR	====>	XLR BOARD			

NOTE: The parts marked # are new (initial parts)
注: #のついた部品は新規部品です。

CABINET/キャビネット

17055061 Cabinet Assy
NOTE: Replacement Cabinet Assy includes the following parts.
注意: 補修用 Cabinet Assy は以下の部品を含みます。

22310207	Handle H-40 + Escutcheon
17055035	Corner Protector
17055038	Rubber Foot
# 00677923	Caster 3020-11-SR + Socket

17055063 Punching Metal
K2238110 Roland Logo Badge

SPEAKER/スピーカー

17055013 15" Woofer K1508P07 (38cm)
17055062 Horn Tweeter KHN08L08

CHASSIS/シャーシ

G2217114 PANEL
G2817112 CHASSIS

KNOB,BUTTON/ツマミ、ボタン

7098605000 AC Knob
22497565 Button POWER SW

SWITCH/スイッチ

Δ 13129160 SDDL1 TV-5 POWER SW SW2 on PS
13119218 SRBM13N-F-15 ROTARY SW SW1 on PR

JACK, SOCKET/ジャック、ソケット

13449145 YKB21-5010 JK9 on JK
13449146 YKB21-5012 JK1,2,3,4,5,6,7,8,10,11,12,13 on JK
00122123 YKF52-5003 JK14,15 on XLR

PCB ASSY/基板完成品

0090615600 PREAMP BOARD ASSY
NOTE: Replacement PREAMP BOARD ASSY includes the following PCBs.
注意: 補修用 PREAMP BOARD ASSY は以下の部品を含みます。

Pre Amp Board/Jack Board.

0090618900 MAINAMP BOARD ASSY 230V/240V
NOTE1: Replacement MAINAMP BOARD ASSY 230V/240V includes the following PCBs.
注意1: 補修用 MAINAMP BOARD ASSY 230V/240V は以下の部品を含みます。

Main Amp Board/XLR Board/Power SW Board.

NOTE2: Replacement MAINAMP BOARD ASSY (Power SW Board) is 230V/240V version only. 230V/240V version differ from 100V/117V version only in fuse system. When using Power SW Board for 100V/117V version, replace fuse of specify voltage version. (refer to TABLE A)

注意2: 補修用 MAINAMP BOARD ASSY (Power SW Board) は 230V/240V 仕様のみが供給されます。100V/117V 仕様との違いはヒューズのみです。
Power SW Board を 100V/117V 仕様の製品に使用する際はヒューズを適切なものに交換して下さい。(TABLE A参照)

	FUSE 1
100V/117V	FUSE SB 5.2x20 4A
230V/240V	FUSE CEE 2.5A

FUSE, FUSE HOLDER/ヒューズ、ヒューズホルダー

Δ 12559444 Fuse SB 5.2x20 4A 100V/117V on PS
Δ F2559105 Fuse CEE 2.5A 230V/240V on PS
 Δ 12199550RT Fuse Holder on PS
 Δ F2029601 Fuse Cover FH-1 on PS

POWER TRANSFORMER/トランス

Δ G2457129 TRANSFORMER 100V/117V
Δ G2457130 TRANSFORMER 230V/240V

AC CORD/ACコード

Δ G3497123 AC Cord VCTF 100V
Δ G3497124 AC Cord SJT 3P 117V
Δ G3497125 AC Cord SY010 BLK 230V
Δ G3497127 AC Cord 5722-660-4527 230VE
Δ G3497126 AC Cord FC-305 240VA

IC/集積回路

15189250 M5218AL

TRANSISTOR/トランジスタ

15119158 2SA970GR Q205,206 on MN
15119132 2SA1015GR Q207 on MN
Δ 00905256 2SA1553O Q213 on MN
 Δ 15119723 2SA1837 Q211 on MN
 Δ 15119820 2SB1017Y Q202 on MN
15129151 2SC1815GR Q204,208 on MN
15129410 2SC2229Y Q209 on MN
15129192 2SC2240GR Q5,6 on PR
Δ 00905267 2SC4029O Q212 on MN
 Δ 15129732 2SC4793 Q210 on MN
 Δ 15129835 2SD1408Y Q201 on MN
15139103 2SK30 Q1,2,3,4 on PR
Q203 on MN

DIODE/ダイオード

15019126 1SS133 D2,3,4,5 on PR
D204,206 on MN
D205,207 on MN
Δ F5019203 1N4004 D201,202 on MN
Δ F5019401 RD16EB2 D203 on MN
 Δ F5039112DG PBPC803 D1 POWER LED
F2247701 L-608

POTENTIOMETER/ボリューム

13289229 RK09L1120 10KB VR9 on PR
00905289 RK09L1120 50KB CC VR6,7,8 on PR
00905290 RK09L12B0 100Kx2 CC VR10 on PR
00905278 RK09L12B0 100KBx2 VR1,2,4,5 on PR
01011123 RL09L12B0 250KBx2 VR3 on PR

CAPACITOR/コンデンサー

F3519851 Ceramic 150p/500V C219,231 on MN
F3519501 Ceramic PY17FY472MC0 C62 on PS
F3519502 Ceramic EC8472MH C212 on MN
01015678 Metallized Polyester 1.8u/100V C229
13649101M0 Electrolytic Bi-polar 1u/50V C211 on MN
F3639441 Electrolytic 3300u/100V C201,202 on MN

RESISTOR/抵抗

13749101 Carbon 4.7k Ω 1/2W R203,204 on MN
13749301 Carbon 470 Ω 2W R201,202 on MN
Δ 13829165 Oxyde Metal 1.3k Ω 1W R230 on MN
Δ F2559801 Fuseble 3.3 Ω 1/4W R215,216 on MN
Δ F2559802 Fuseble 150 Ω 1/4W R217 on MN
 Δ 13839615RT Cement 0.33 Ω 5W R232,233 on MN
13839198 Cement 15 Ω 5W R241 on MN

WIRING/ワイヤリング

F3439110 Wiring A CN6(on PR)→CN7(on XLR)
F3439111 Wiring B CN1(on PR)→CN201(on MN)
G3477127 Wiring C CN2(on PR)→CN3(on JK)
G3477128 Wiring D CN4(on PR)→CN5(on JK)
F3439109 Wiring E POWER LED
H4019318 Wiring F Speaker Cable RED,BLACK
H4019321 Wiring G Speaker Cable RED,YELLOW
F4009791 Wiring H Q212
F4009811 Wiring I Q213
F4009831 Wiring J T1(on PS)→Chassis GND (for 230V,230VE,240VA)

SCREWS/ネジ類

22157501 Stand Off #501 M3 10mm
40010178 Binding Machine Screw M3x6 ZC
40010334 Binding Machine Screw M4x8 BZC
40010434 Binding Machine Screw W/SW M3x10 BZC
H5019411 Binding Machine Screw W/SW M3x20 BZC
40011312 Binding Taptite P 3x8 BZC
40011889 Exi Tooth Washer M4 ZC
40011756 Flange Nut M3 ZC
***** VR Nut M9
***** VR Washer M9
***** VR Nut M7
***** VR Washer M7
***** LED Washer M8
***** LED Nut M8
40010601 Original Truss Machine Screw M5x35 BZC
40011689 Speed Nut F-type M3
40230778 Oval Machine Screw M3x8 BZC
17055042 #6x1/2" THP Black Oxide (fix Corner Protector to cabinet/Corner Protector固定用)
17055068 #8-32x1" Truss Head BZC (fix 15" Woofer and Tweeter to cabinet/15" Woofer, Tweeter固定用)
17055069 #6x1/2" THP Sheet Metal BZC (fix Punching Metal to cabinet/Punching Metal固定用)
17055070 #10-32x1" OHP Machine Screw BZC (fix Handle to cabinet/Handle固定用)
17055071 #10x1/2" PHP Sheet Metal ZU (fix Caster to cabinet/Caster固定用)

MISCELLANENOUS/その他

17055067 Tweeter Packing for Tweeter
G2467104 Heatsink K-123
2215075600 Jack Nut #756
12369410RT Cord Holder 1702B
G2257113 TO-3P Insulating Sheet
 Δ 12199550RT Fuse Holder on PS
 Δ F2029601 Fuse Cover FH-1 on PS
17055066 Packing case for packing

ACCESSORIES(Standard)/標準付属品

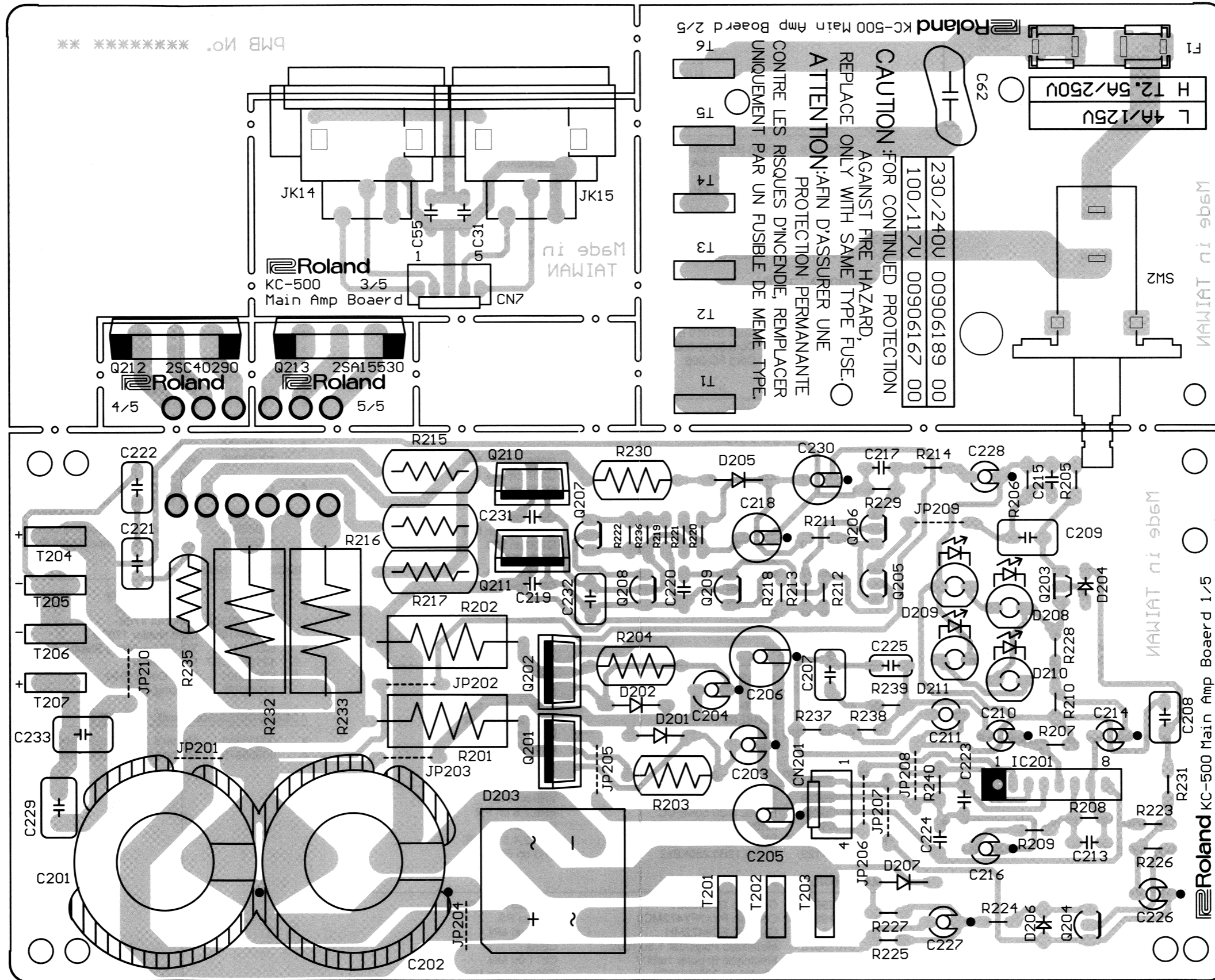
00908956 Owner's Manual (English)
00908978 Owner's Manual (Japanese)

1 2 3 4 5 6 7 8 9 10 11 12 13 14 15 16 17 18 19 20 21 22 23 24 25 26 27 28 29 30

A
B
C
D
E
F
G
H
I
J
K
L
M
N
O
P
Q
R
S
T
U

MAIN AMP BOARD ASS'Y

ASSY 0090618900

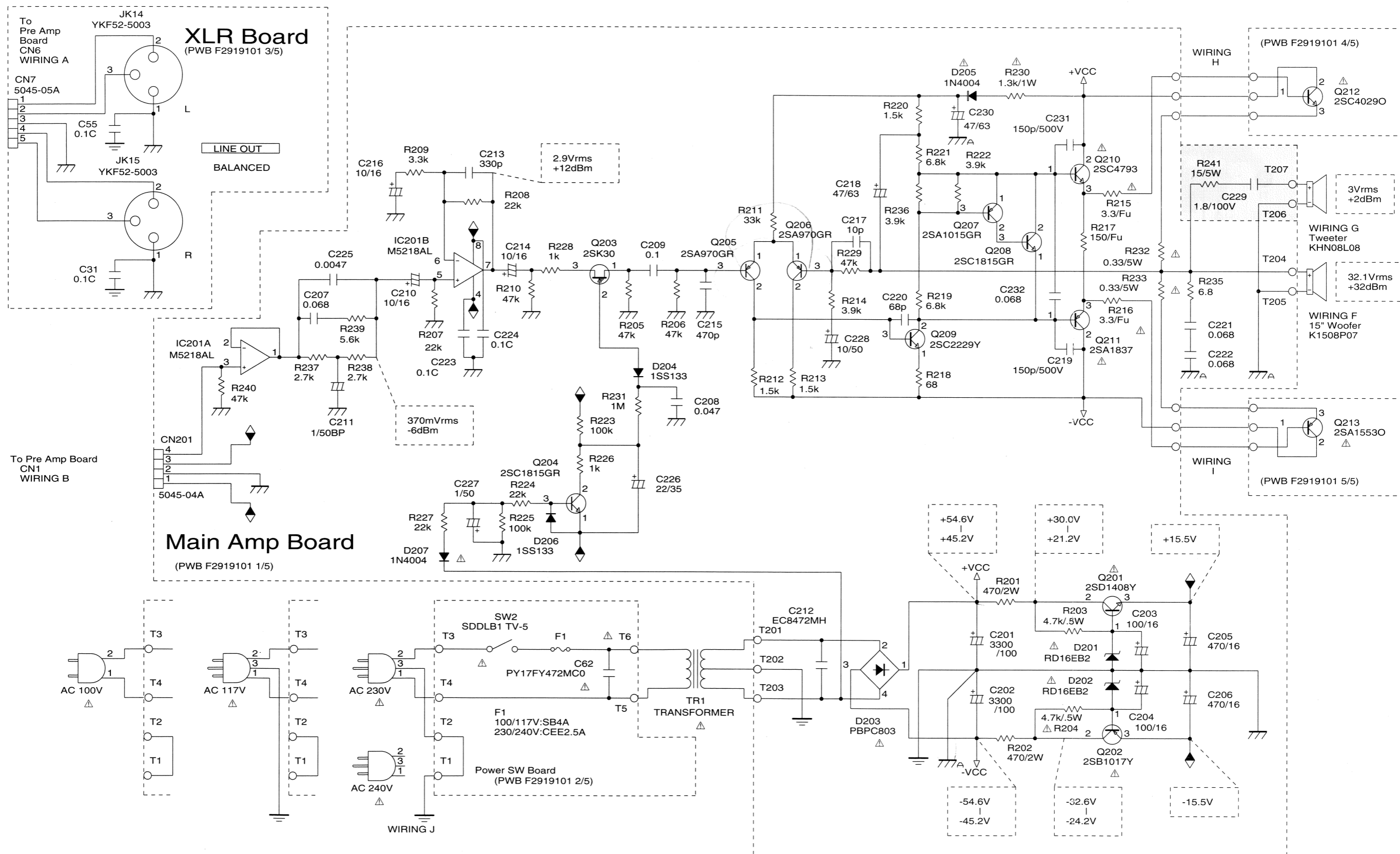


View from component side

1 2 3 4 5 6 7 8 9 10 11 12 13 14 15 16 17 18 19 20 21 22 23 24 25 26 27 28 29 30

A
B
C
D
E
F
G
H
I
J
K
L
M
N
O
P
Q
R
S
T
U

MAIN AMP BOARD ASS'Y

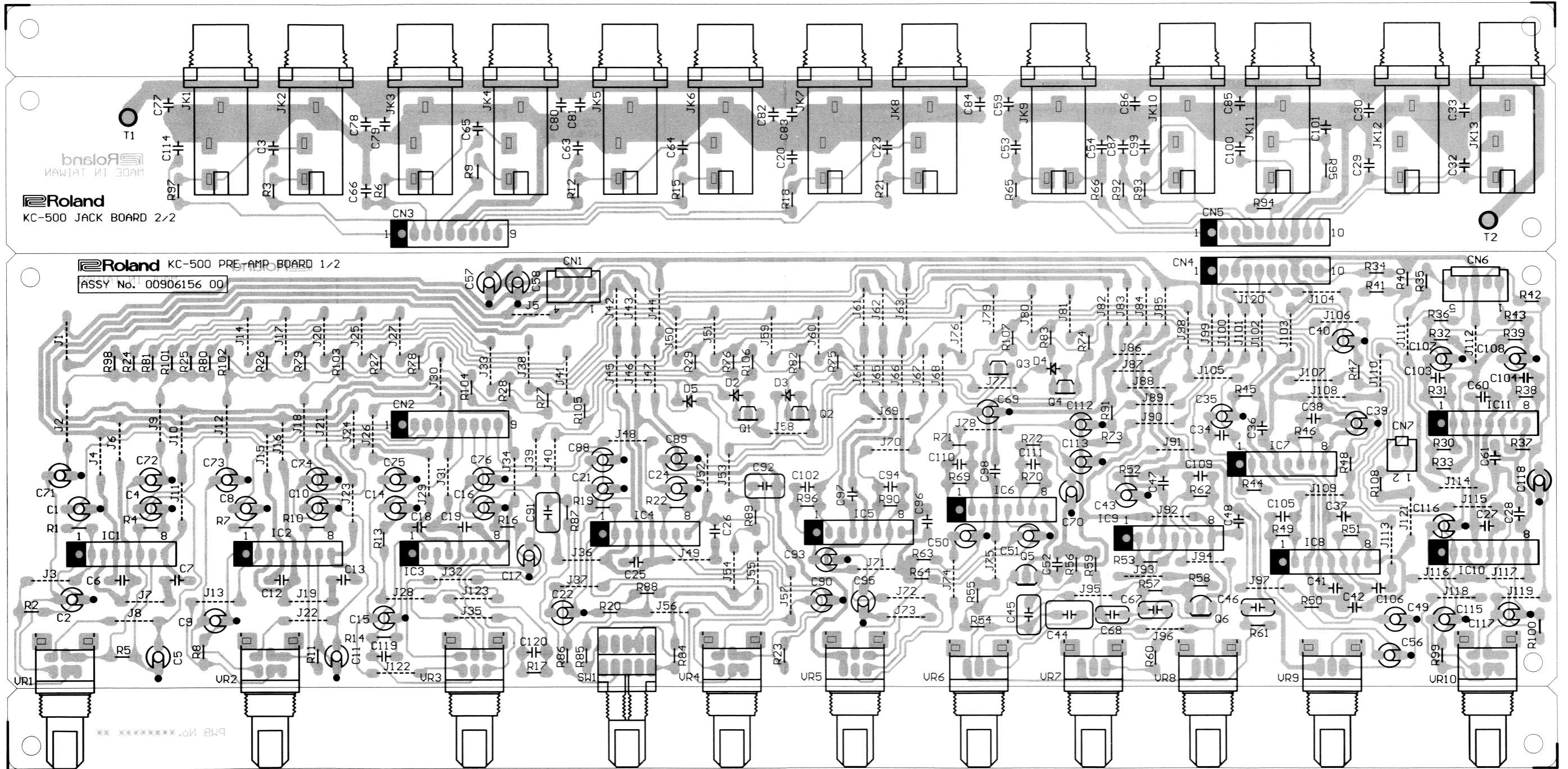


※ 1st lot のみ、別基板供給

1 2 3 4 5 6 7 8 9 10 11 12 13 14 15 16 17 18 19 20 21 22 23 24 25 26 27 28 29 30

A
B
C
D
E
F
G
H
I
J
K
L
M
N
O
P
Q
R
S
T
U

PRE AMP BOARD ASS'Y
ASSY 0090618900

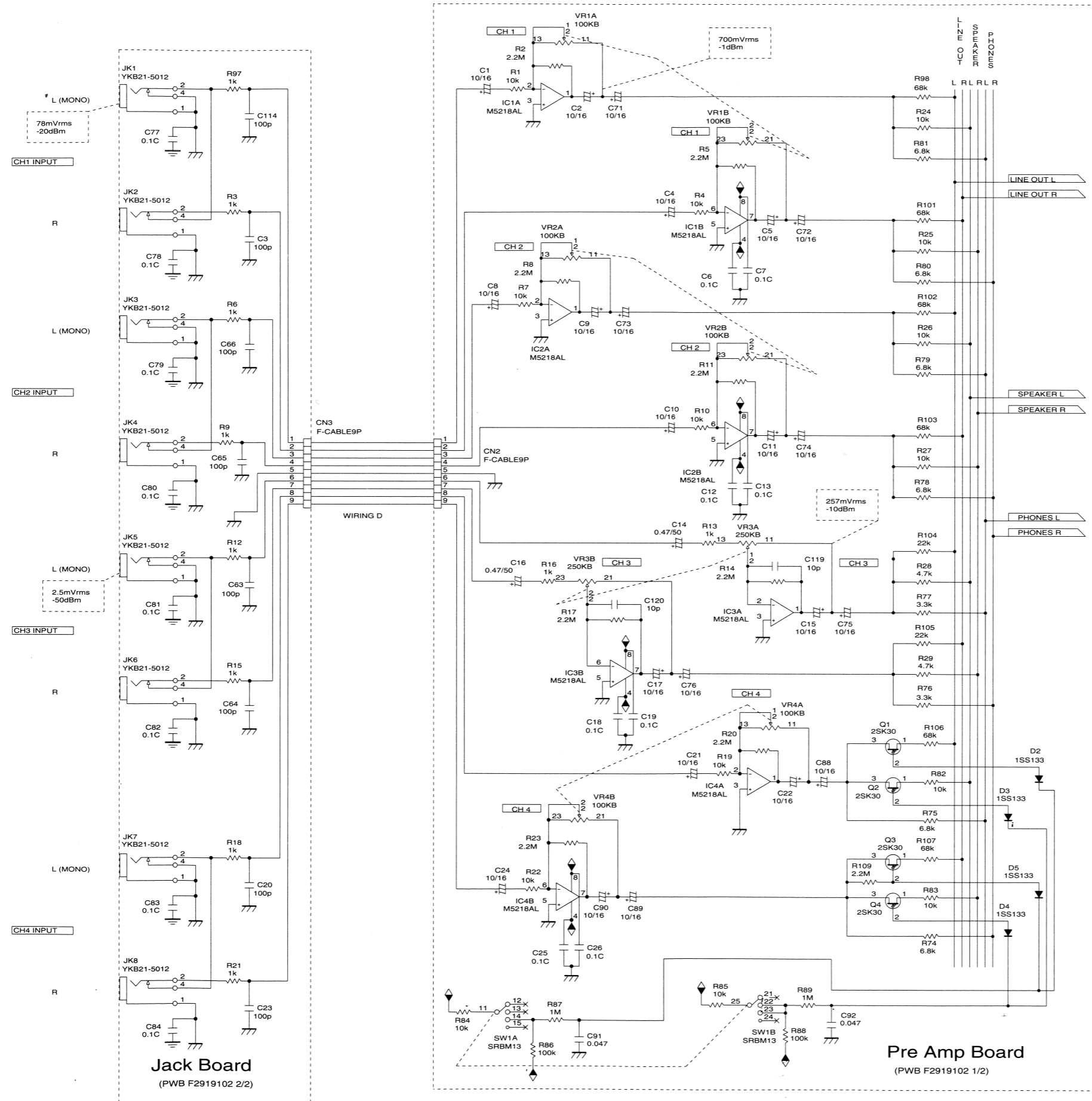


View from component side

1 2 3 4 5 6 7 8 9 10 11 12 13 14 15 16 17 18 19 20 21 22 23 24 25 26 27 28 29 30

A
B
C
D
E
F
G
H
I
J
K
L
M
N
O
P
Q
R
S
T
U

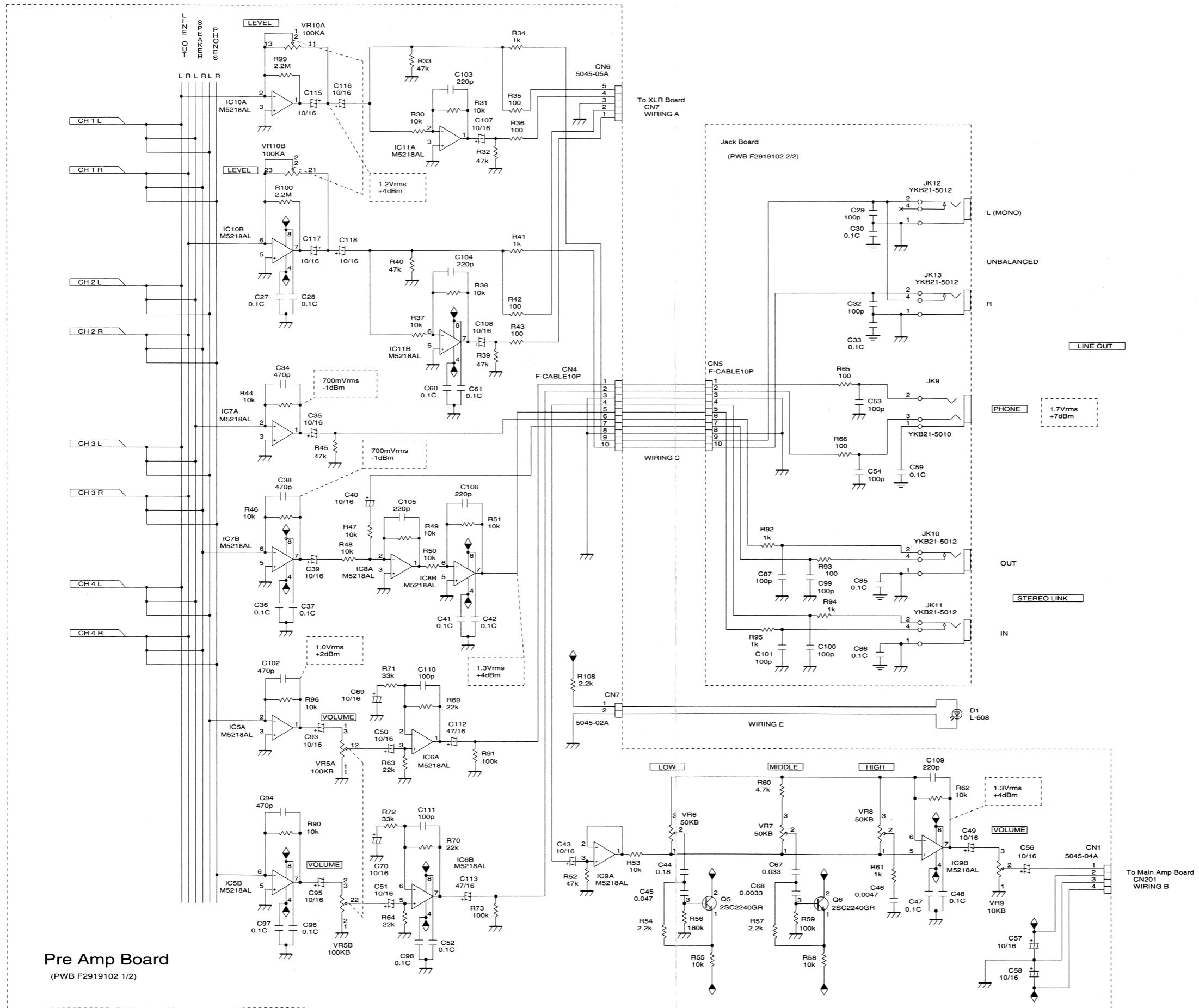
PRE AMP BOARD ASS'Y 1/2



1 2 3 4 5 6 7 8 9 10 11 12 13 14 15 16 17 18 19 20 21 22 23 24 25 26 27 28 29 30

A
B
C
D
E
F
G
H
I
J
K
L
M
N
O
P
Q
R
S
T
U

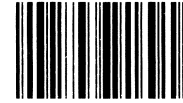
PRE AMP BOARD ASS'Y 2/2



 Roland®

17059833

UPC 17059833



10981

Roland