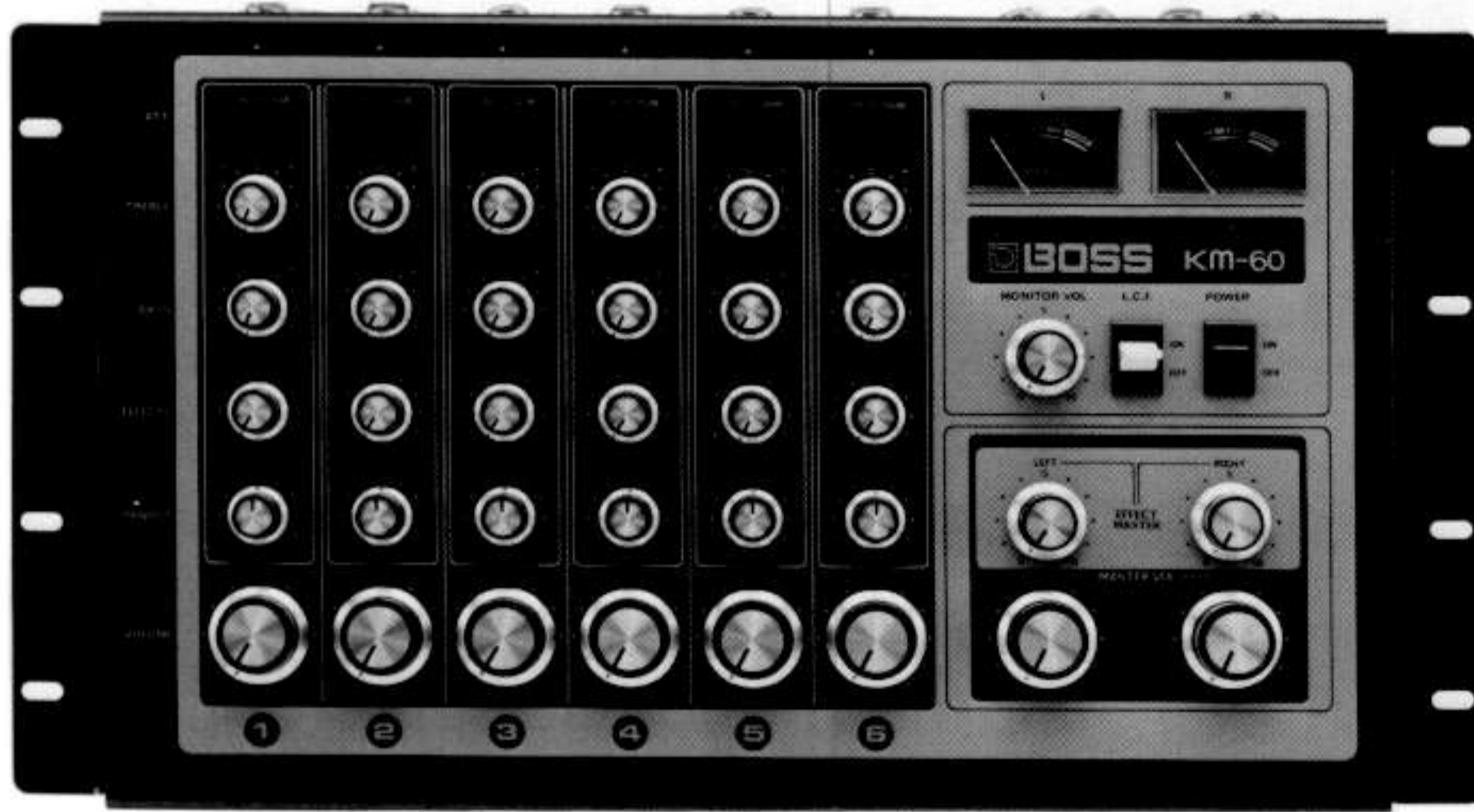


# Mixer **KM-60** SERVICE NOTES



# BOSS KM-60 SERVICE NOTES

## KM-60 SPECIFICATIONS

		LEVEL	IMPEDANCE	NO.
CHANNEL	INPUT	-50/-35/-20dB	L: 3.9kΩ; H: 33kΩ	6
	EFFECTS	SEND	0dB	300Ω
		RETURN	0dB	10kΩ
MIXED	EFFECTS	SEND	0dB	1
		RETURN	-26dB	20kΩ
	STACKING	0dB	3kΩ	2
	STEREO MONITOR OUT	-	8Ω	1
	OUTPUT	+4dB(0VU)	300Ω	2

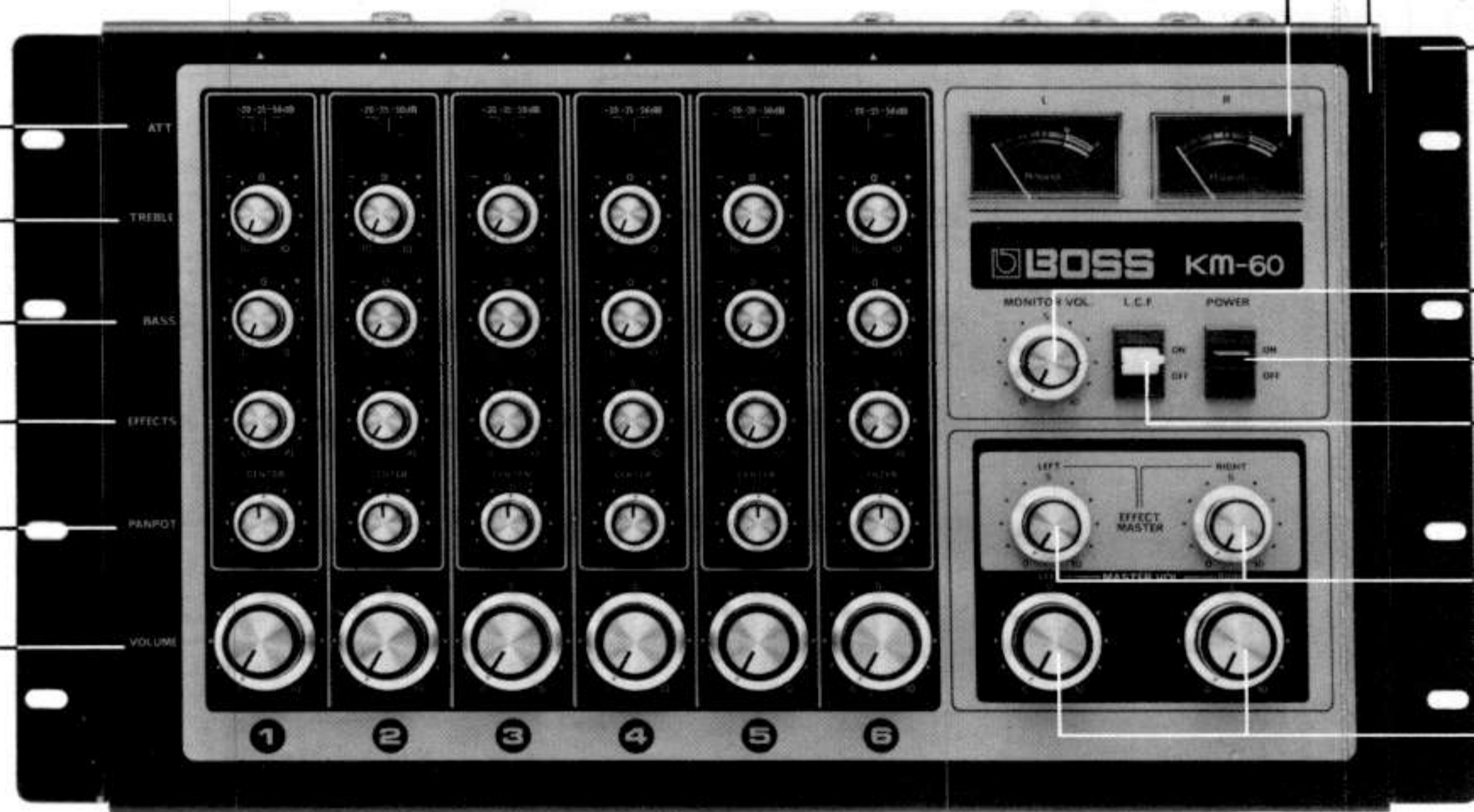
Power consumption . . . . . 7W  
 S/N ratio . . . . . Over 64dB  
 Semiconductors . . . . . 16 IC's, 6 transistors, 8 diodes  
 Dimensions . . . . . 480(W) x 95(H) x 273(D) mm  
 18.9(W) x 3.7(H) x 10.8(D) in  
 Weight . . . . . 4.7kg, 10.4lbs.

Switch  
 HSW-478-1-7  
 (001-168)

Pot.  
 EVHCCA15 B50K  
 (028-508) or  
 EVH6PA360B50K

Pot.  
 EVHCCA15 B10K  
 (028-506) or  
 EVH6PA360B10K

Pot.  
 EVHCCA15 B20K  
 (028-507) or  
 EVH6PA360B20K

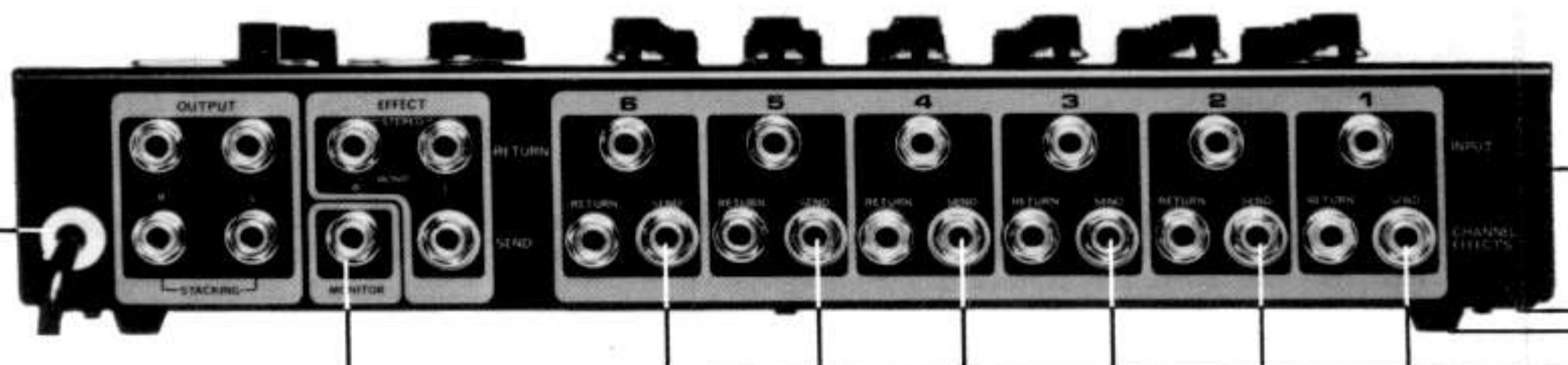


\* Jacks not defined: TJ-241-2 (009-004)

Line Cord Strain Relief

EA-5

Jack TJ240-1 (009-003)



**PARTS LIST**

Meter  
BK-560 (046-004)  
Lamp  
BQ045-32704A (025-007)

Chassis  
NO.192 (061-192)

Rack Angle  
NO.162 (064-162)

Pot.  
EWKDOAK15B50K x 2  
(028-529)

Knob  
TK-1113 (016-026)

Switches  
MS-311(blk) (001-261B)  
MS-311(wht) (001-261W)

Pot.  
EVHBOAK15A10K  
(028-514)

Pot.  
EVHBOAK15A250K (028-521)  
Knob  
TK-1112 (016-020)

Cover  
NO.163 (065-163)

Rubber Foot  
G-14 (111-025)

Jack  
SG-7615 (009-001)

POWER TRANSFORMERS

022-086C no.86C (100/117v)  
022-086D no.86D (220/240v)

ICs

020-080 HA-1457  
020-097  $\mu$ PC4558C

TRANSISTORS

017-003 2SC1000-GR  
017-008 2SC828-R  
017-012 2SA733-Q  
017-010 2SD234-0  
017-022 2SB434-0

DIODES

018-022 1N4003  
018-014 1S2473  
018-024 05Z15A zener

POTENTIOMETERS

028-521 EVHBOAK15A250K  
028-514 EVHBOAK15A10K  
028-529 EWKDOAK15B50K dual  
028-508 EVHCCAK15B50K or  
EVH6PA-360B50K  
028-506 EVHCCAK15B10K or  
EVH6PA-460B10K  
028-507 EVHCCAK15B20K or  
EVH6PA-360B20K  
028-006 EVTR4A00B54 50K trim.

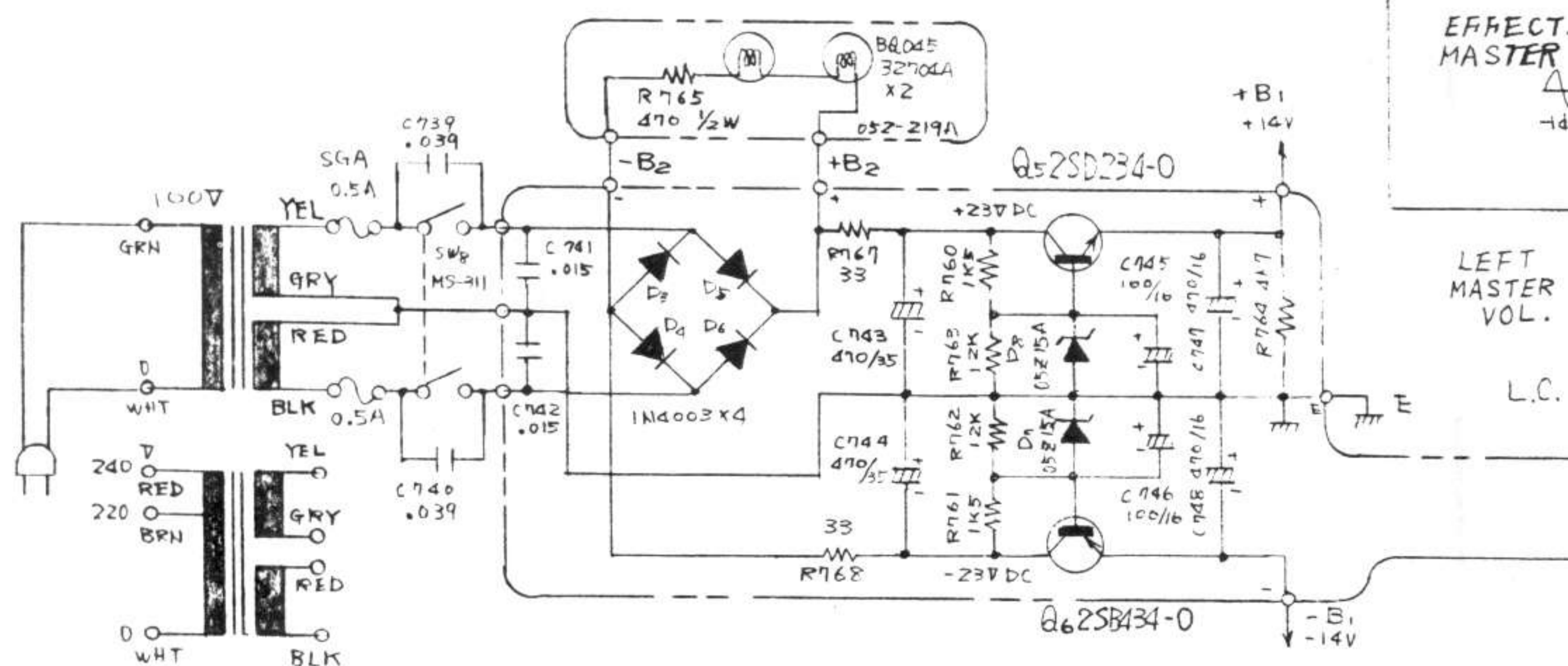
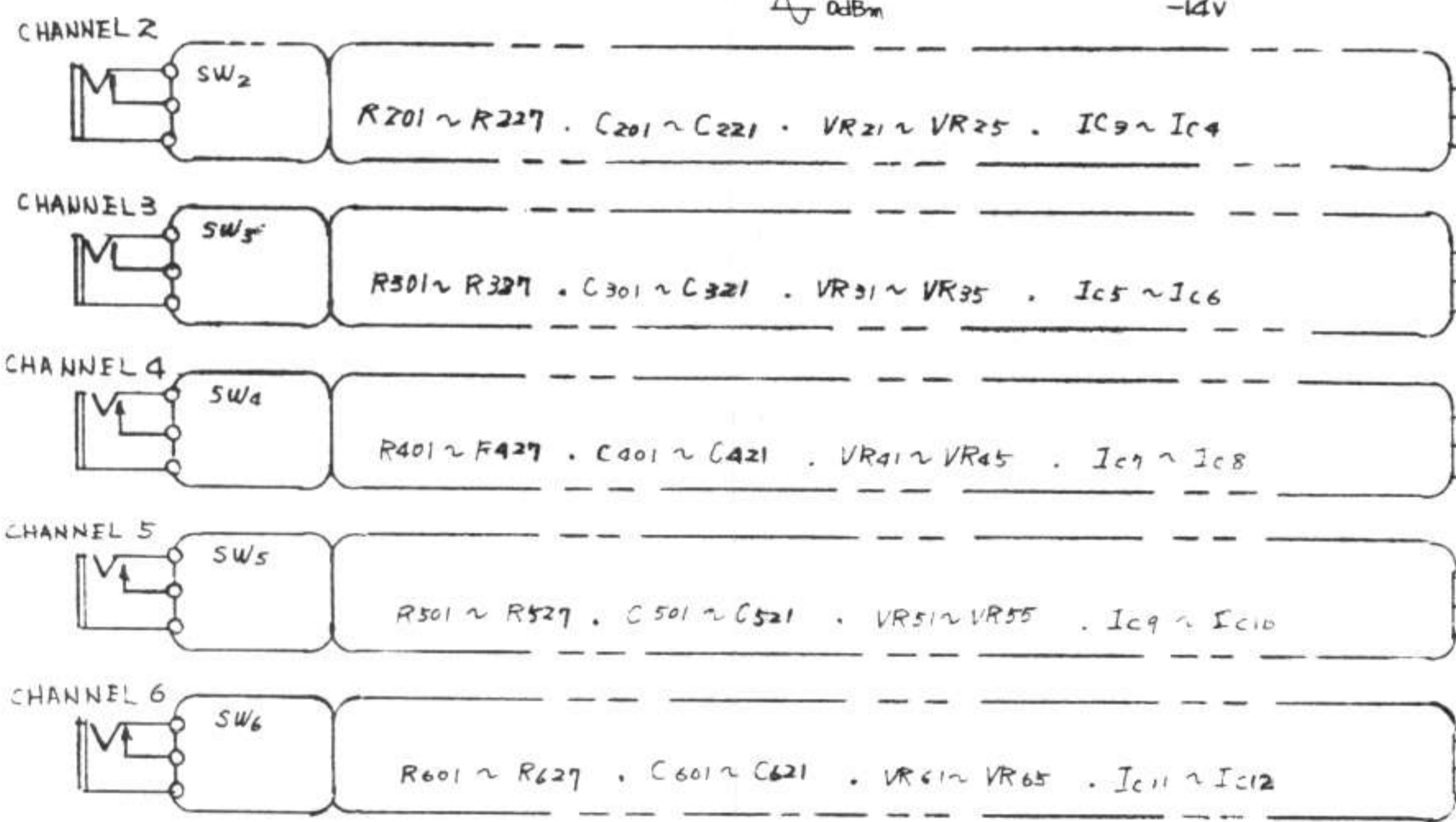
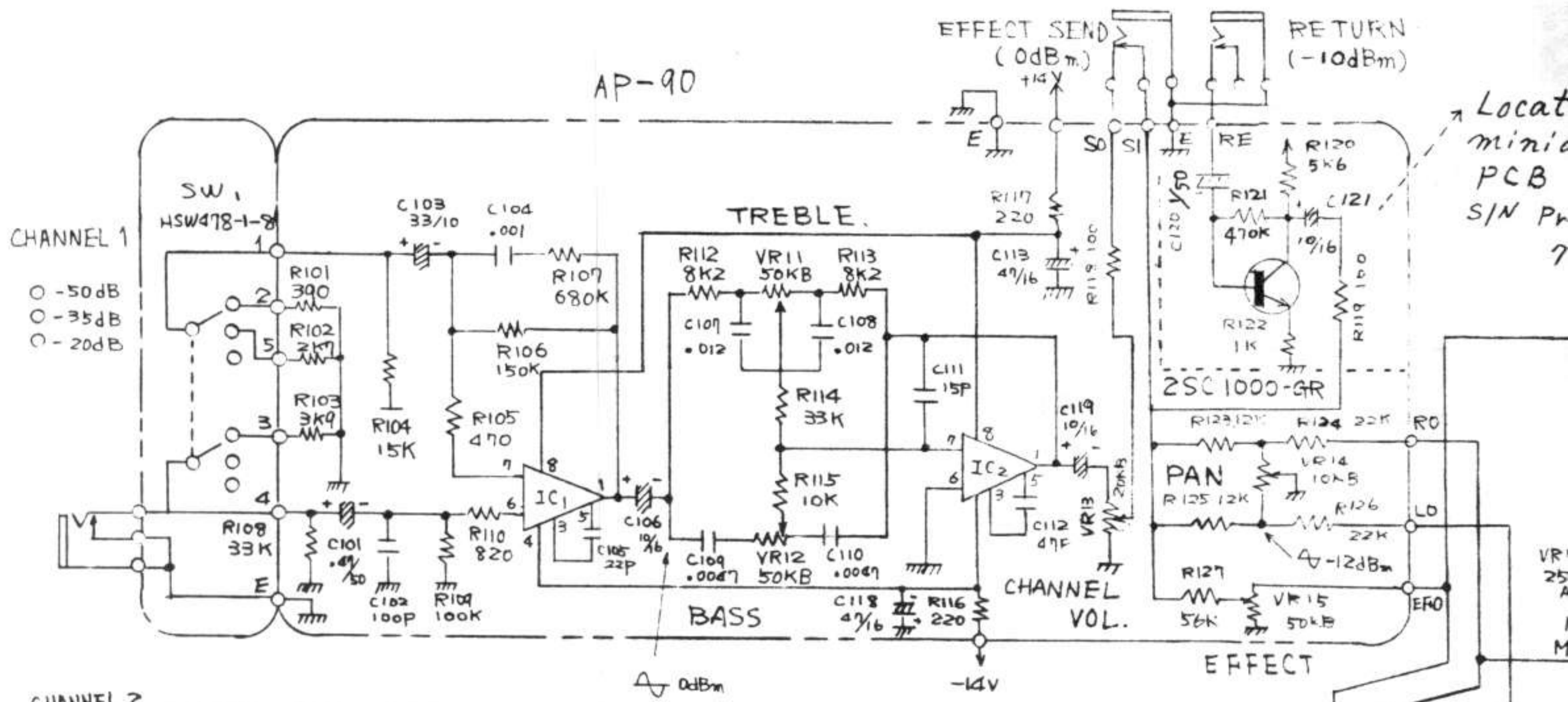
PCBs

141-091A AP-91A Assy  
052-311A AP-91A less parts  
052-219A Lamp Holder less parts

FUSES

008-024 SGA 0.5A sec.  
(except J type)  
008-050 MGP 0.25A prim.(117v 3P)  
008-063 CEE 500mA sec. (J)  
008-060 CEE 250mA prim. (J)

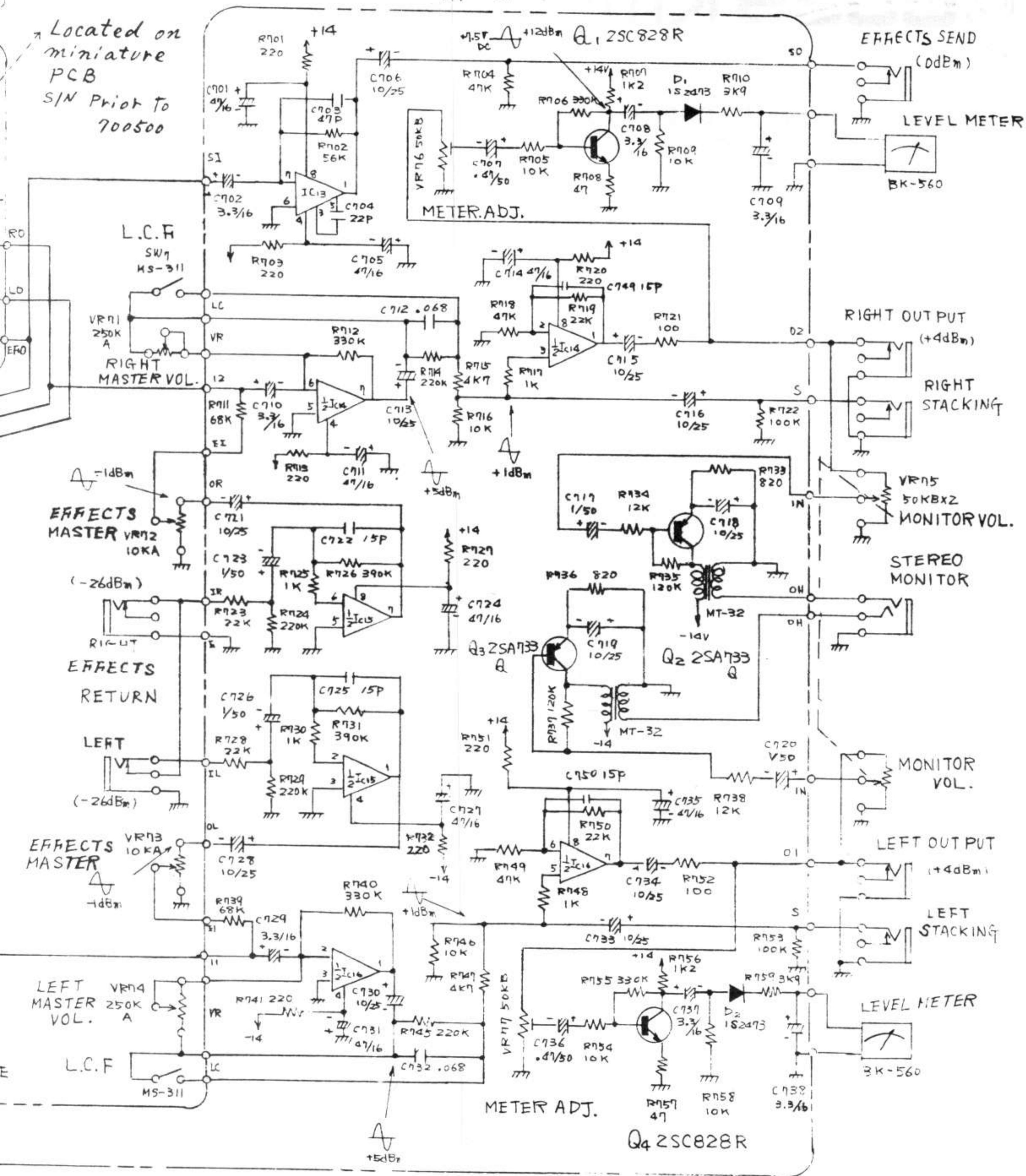
048-018 Heat Sink SB-7  
120-001 Long Nut no.1 3x10mm (stand off)  
120-003 Long Nut no.3 3x18mm  
141-090B PCB Assy AP-90B  
052-310B AP-90B less parts



IC<sub>1</sub> ~ IC<sub>13</sub> HA1457  
 IC<sub>14</sub> ~ IC<sub>16</sub> UA4558

AP-01

Located on miniature PCB S/N Prior to 700500



EFFECTS SEND (+0dBm)  
LEVEL METER  
BK-560

RIGHT OUTPUT (+4dBm)  
RIGHT STACKING

VR75 50KBx2  
MONITOR VOL.  
STEREO MONITOR

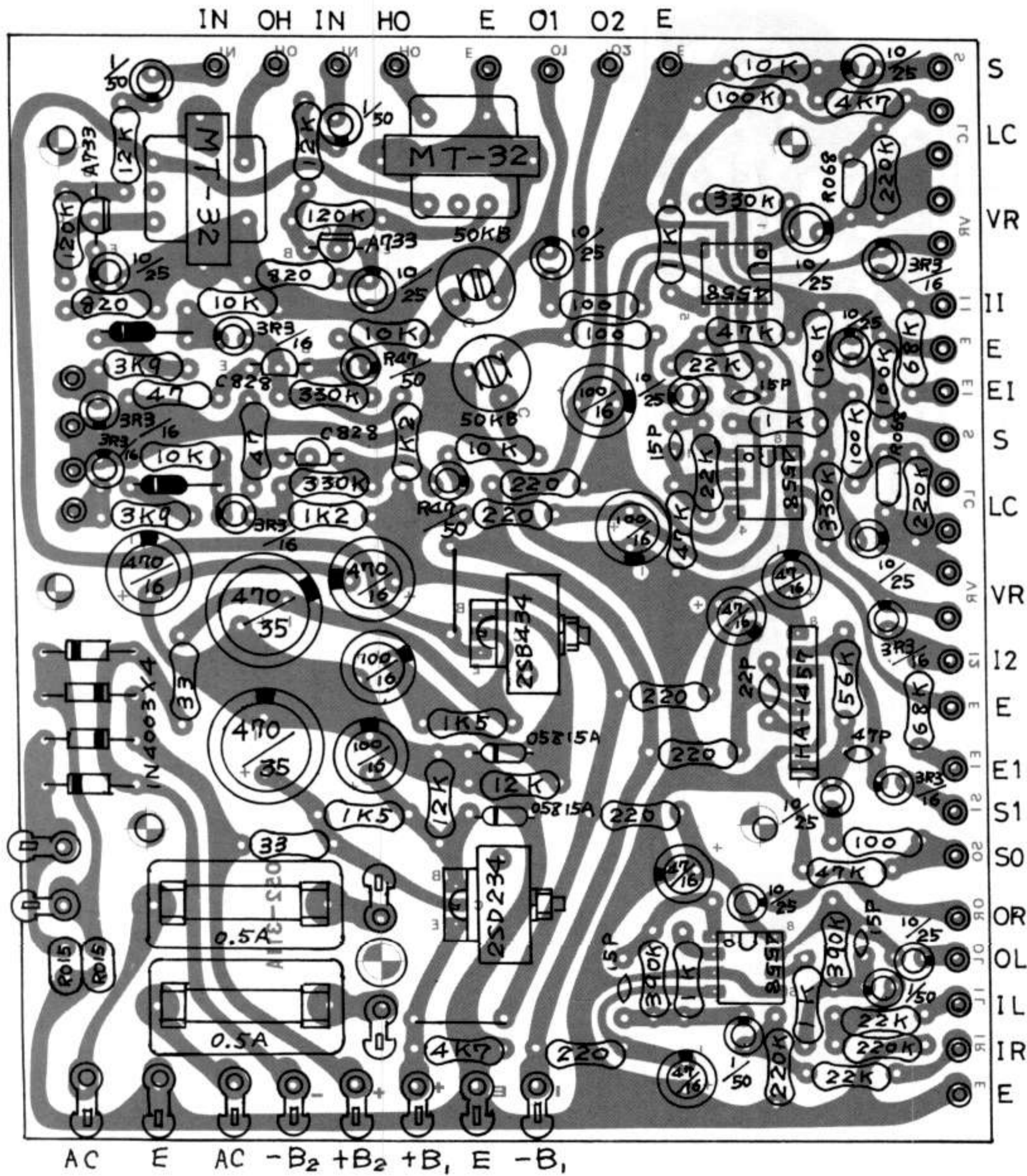
MONITOR VOL.  
LEFT OUTPUT (+4dBm)

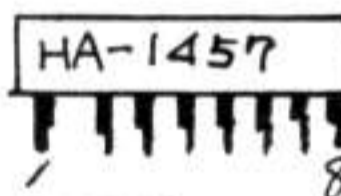
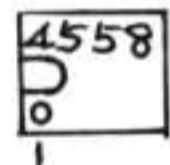
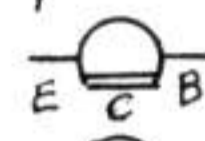
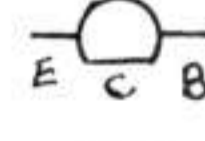



LEFT STACKING  
LEVEL METER  
BK-560

METER ADJ.  
Q4 2SC828R

METER ADJ.  
Q1 2SC828R

AP-91A (141-091A)



-  HA-1457
-  MPC4558  
Top VIEW
-  2SA733Q
-  2SC828R
-  05Z15A
-  IS2473
-  IN4003

**METER CALIBRATION**  
 Adj. VR76, VR77  
 0 VU = 4 dBm 1 kHz Sine  
 (at Output jack)

LAMP HOLDER



