

# PM-30

Personal Monitor

## SERVICE NOTES

*Issued by RJA*

### Table of Contents

Cautionary Notes .....	2	Test Mode .....	17
Specifications .....	3	Block Diagram .....	20
Package Contents .....	4	Circuit Board (Main Board 1: Preamp/PS Amp/ Output) .....	22
Location of Controls .....	6	Circuit Board (Main Board 2: Preamp/PS Amp/ Output) .....	24
Location of Controls Parts List .....	7	Circuit Diagram (Preamp/Output Board 1/2) .....	26
Exploded View (Cabinet 1/2) .....	8	Circuit Diagram (Preamp/Output Board 2/2) .....	28
Exploded View (Cabinet 1/2) Parts List .....	9	Circuit Diagram (PS Amp Board 1/2) .....	30
Exploded View (Cabinet 2/2) .....	10	Circuit Diagram (PS Amp Board 2/2) .....	32
Exploded View (Cabinet 2/2) Parts List .....	11	Circuit Board (Jack Board 1) .....	34
Exploded View (Top Chassis) .....	12	Circuit Board (Jack Board 2) .....	35
Exploded View (Top Chassis) Parts List .....	13	Circuit Diagram (Jack Board) .....	36
Exploded View (Amp Chassis) .....	14		
Exploded View (Amp Chassis) Parts List .....	15		
Parts List .....	16		



**Copyright © 2006 ROLAND CORPORATION**

All rights reserved. No part of this publication may be reproduced in any form without the written permission of ROLAND CORPORATION.

**Roland**

17058435E0

Printed in Japan (0390) (SC-MZ)

---

## Cautionary Notes

---

Before beginning the procedure, please read through this document.

The matters described may differ according to the model.

## No User Data

This product cannot save user data. Backing up user data during servicing is not required.

## Parts List

A component whose part code is \*\*\*\*\* cannot be supplied as a service part because one of the following reasons applies.

- Because it is supplied as an assembled part (under a different part code).
- Because a number of circuit boards are grouped together and supplied as a single circuit board (under a different part code).
- Because supply is prohibited due to copyright restrictions.
- Because reissuance is restricted.
- Because the part is made to order (at current market price).

## Circuit Diagram

In the circuit diagram, 'NIU' is an abbreviation for 'NOT IN USE'. The circuit board and circuit-board diagram show silkscreened indications, but no components are mounted.

# Specifications

PM-30: PERSONAL MONITOR

## Declared Power

200 W (Main Unit 100 W + Satellite Speaker 50W x 2)

## Nominal Input Level (1 kHz)

CHANNEL1	V-DRUMS	STEREO	-10+4 dBu
CHANNEL1	LINE IN	L/MONO, R	-20+4 dBu
CHANNEL2	LINE IN	L/MONO, R	-10+4 dBu
CHANNEL2	LINE IN	L/MONO, R	-10+4 dBu

## Nominal Output Level

LINE OUT	L/MONO, R	+4 dBu
SPEAKER OUT	L, R	50 W/4 Ω Min.

\* 0 dBu = 0.775 Vrms

## Speakers

### Main Unit

30 cm (12 inches) x 1 (Woofer)  
7.7 cm (3-1/16 inches) x 1 (Tweeter)

### Satellite Speaker

10 cm (4 inches) x 1 (Full Range)

## Controls

### V-DRUMS/Channel1

PUNCH Switch  
Volume Knob

### Channel2

VOLUME Knob

### Channel3

VOLUME Knob

### Woofer Control

Mode Select Switch  
Volume Knob

### MASTER

BASS Knob (Equalizer)  
MIDDLE knob (Equalizer)  
TREBLE knob (Equalizer)  
VOLUME Knob

POWER Switch

## Indicator

POWER

## Connectors

### Main Unit

#### V-DRUMS/Channel1

V-DRUMS INPUT Jack (stereo 1/4" phone type)  
LINE IN Jack (1/4" phone type)

#### Channel2

LINE IN Jack (1/4" phone type)

#### Channel3

LINE IN Jack (1/4" phone type/RCA PIN type)

LINE OUT Jack (1/4" phone type)

SPEAKER OUT Jack (1/4" phone type)

PHONES Jack (stereo 1/4" phone type)

### Satellite Speaker

INPUT Jack (1/4" phone type) x 2

## Power Supply

AC 117 V, AC 230 V, AC 240 V (50/60 Hz)  
AC 220 V (60 Hz)

## Power Consumption

63 W

## Dimensions

### Main Unit

(Excluding casters) 451 (W) x 482 (D) x 482 (H) mm  
17-13/16 (W) x 19 (D) x 19 (H) inches  
(Including casters) 451 (W) x 482 (D) x 533 (H) mm  
17-13/16 (W) x 19 (D) x 21 (H) inches

### Satellite Speaker

152 (W) x 158 (D) x 209 (H) mm  
6 (W) x 6-1/4 (D) x 8-1/4 (H) inches

## Weight

### Main Unit

24.3 kg/53 lbs 10 oz (Excluding casters)  
25.0 kg/55 lbs 2 oz (Excluding casters)

### Satellite Speaker

2.2 kg/4 lbs 14 oz

## Accessories

Caster x 4 (#SD000856)  
Owner's Manual English (#SD000905)

### For Satellite Speaker

Mount Bar x 2 (STAND ARM) (#SD000959)  
Clamp x 2 (#SU000072)  
Speaker Cable (3.5 m) x 2 (#SD000957)

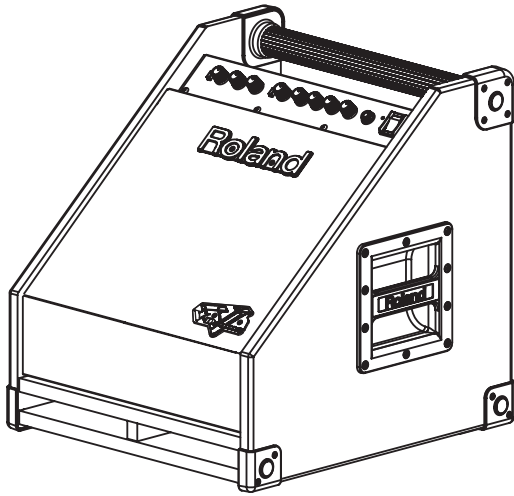
\* In the interest of product improvement, the specifications and/or appearance of this unit are subject to change without prior notice.

---

# Package Contents

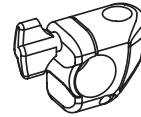
---

## Main Unit



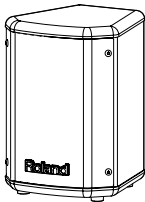
## Clamp

(#SU000072) HATCHED DRUM CLAMP



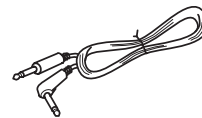
## Satellite Speaker

(#SD000958) SATELLITE SPEAKER



## Speaker Cable

(#SD000957) SPEAKER CABLE



## Mount Bar

(#SD000959) STAND ARM



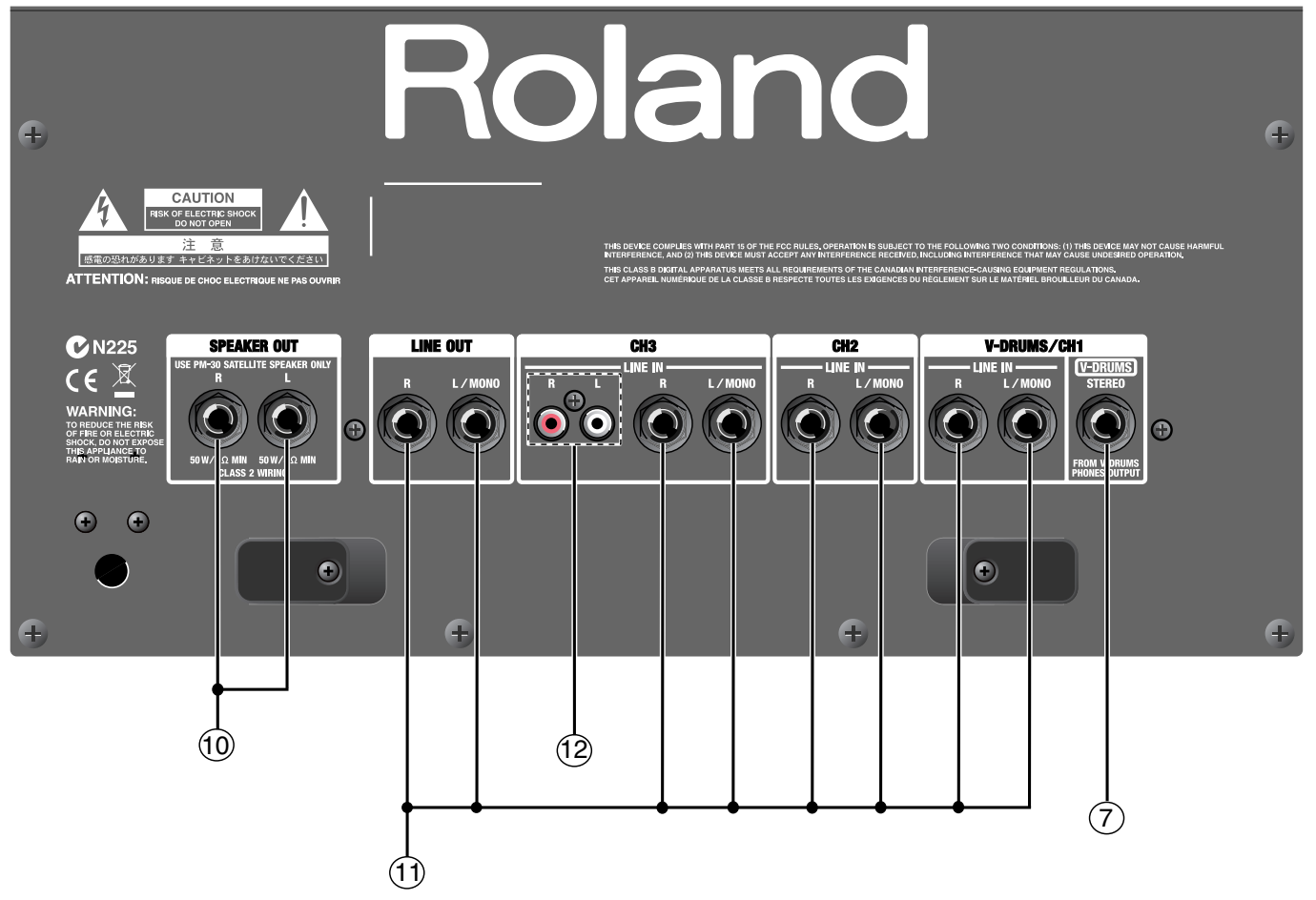
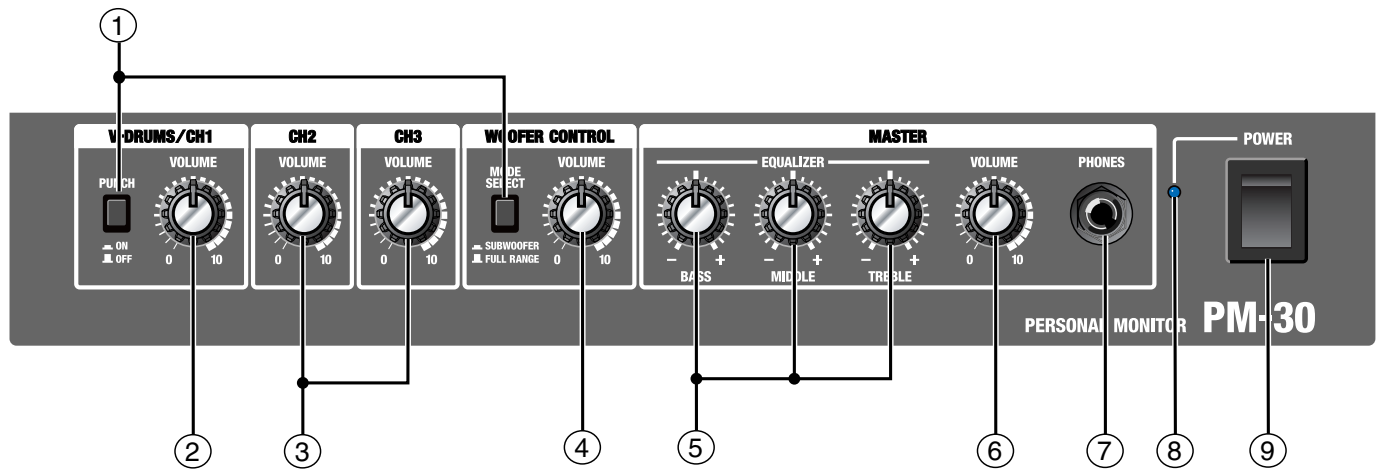
## Caster

(#SD000856) CASTER (W/O SOCKET)





# Location of Controls

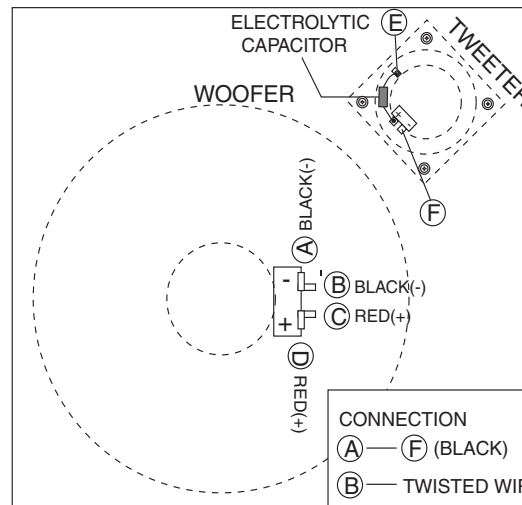


## Location of Controls Parts List

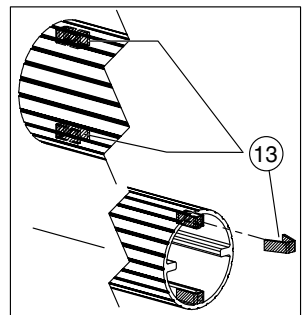
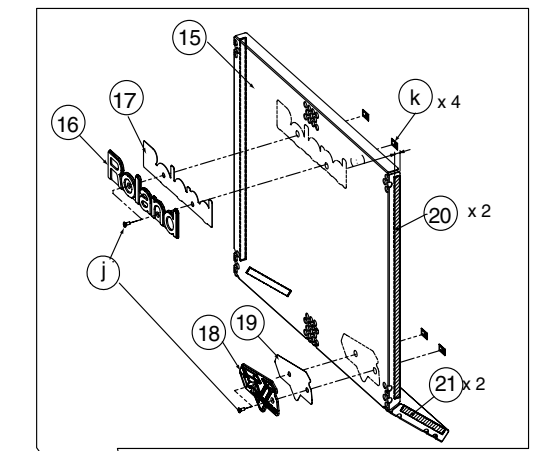
No.	PART CODE	PART NAME	DESCRIPTION	Q'TY
1	01348745	SWITCH(PUSH)	SPUP192700	2
	2249752100	PUSH BUTTON	BLACK#521	2
2	SD000935	POTENTIOMETER	RD904F-20B3-15FW-0B100K-00Q2	1
	17048651	VR ACCESSORY WASHER M7	M7x12x0.5NO.476	1
	H5039521	VR ACCESSORY NUT M7		1
3	SD000937	POTENTIOMETER	RD902F-20E3-15FW-0B100K-00DN8	2
	17048631	VR ACCESSORY WASHER M9		2
	17048630	VR ACCESSORY NUT M9		2
4	SD000939	ROTARY POTENTIOMETER	RD901F-20E3-15FW-B10K-00DN6	1
	17048631	VR ACCESSORY WASHER M9		1
	17048630	VR ACCESSORY NUT M9		1
5	SD000941	POTENTIOMETER	RD901F-20E3-15FW-B10K-0CDN6	3
	17048631	VR ACCESSORY WASHER M9		3
	17048630	VR ACCESSORY NUT M9		3
6	SD000943	POTENTIOMETER	RD904F-20B3-15FW-0B10K-00Q2	1
	17048651	VR ACCESSORY WASHER M7		1
	H5039521	VR ACCESSORY NUT M7		1
7	13449252	6.5MM JACK	YKB21-5006(STEREO W/SW)	2
	22150756	JACK NUT 2	PLASTIC/BLK	2
8	02902278	L-934MBD	LED(BLUE)	2
9	03782367	SEESAW SWITCH	JW-L11RKK	1
	03782323	SW HOLDER	AT-218K	1
10	SD000495	JACK	S2/BNB-PC-C-KINKED	2
	SD000485	JACK ACCESSORY WASHER	S2 BNB	2
	SD000484	JACK ACCESSORY NUT	S2 BNB	2
11	13449146	6.5MM JACK	YKB21-5012(W/SW)	8
	22150756	JACK NUT 2	PLASTIC/BLK	8
12	03234590	RCA(PIN) JACK	YKC21-3503	1

# Exploded View (Cabinet 1/2)

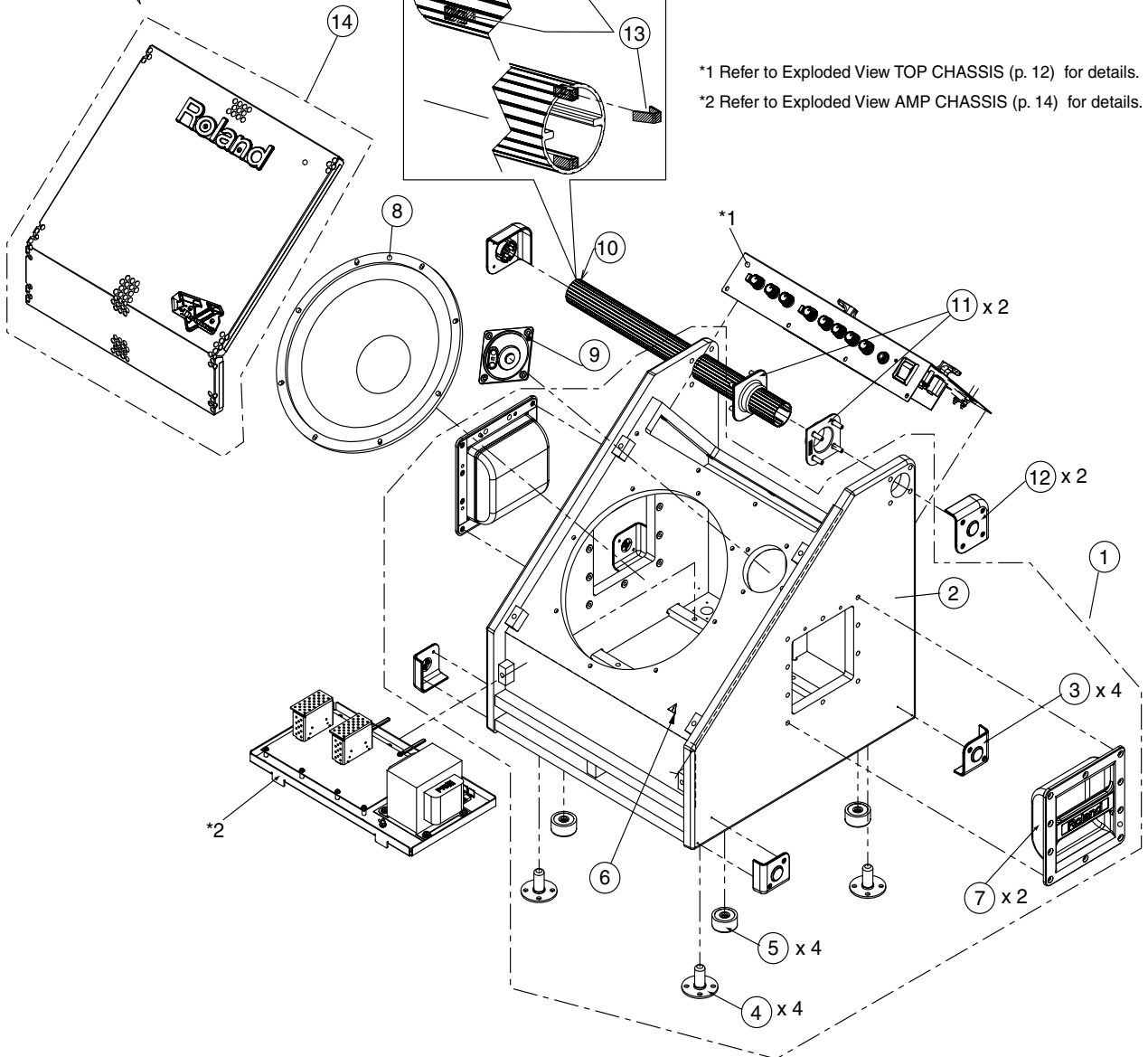
## SPEAKER CONNECTION (FRONT VIEW)



- CONNECTION**
- (A) — (F) (BLACK)
  - (B) — TWISTED WIRE (BLACK)
  - (C) — TWISTED WIRE (RED)
  - (D) — (E) (RED)



\*1 Refer to Exploded View TOP CHASSIS (p. 12) for details.  
 \*2 Refer to Exploded View AMP CHASSIS (p. 14) for details.

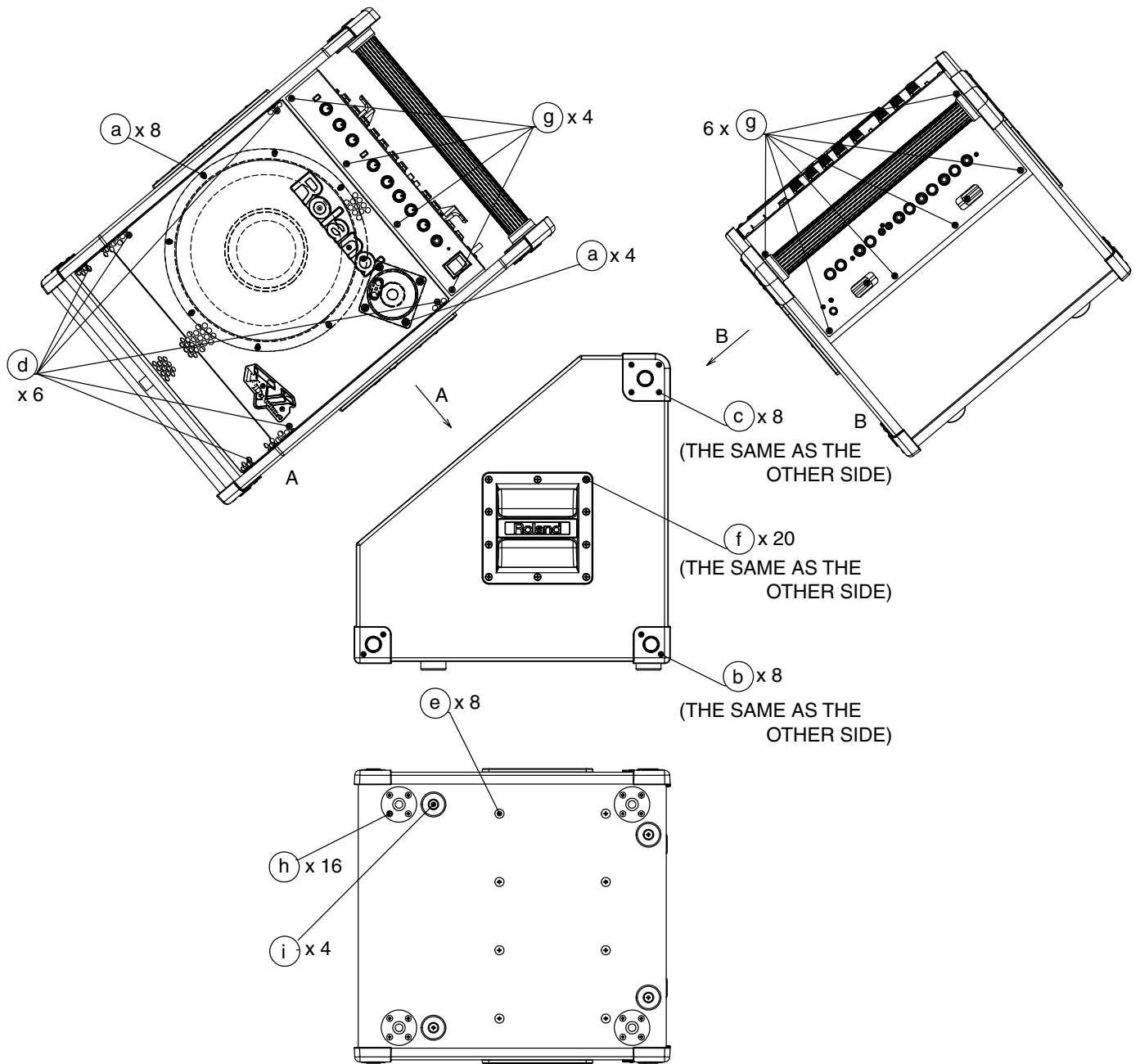




## Exploded View (Cabinet 1/2) Parts List

No.	PART CODE	PART NAME	DESCRIPTION	QTY
1	SD000927	CABINET ASSY		1
		NOTE:'CABINET ASSY' includes the following parts.		
2	*****	CABINET		1
3	*****	CORNER COVER		4
4	SD000780	CASTER SOCKET		4
5	SD000781	FOOT D38 T19 W		4
6	40562234	UL LIGHTNING FLASH SEAL		1
	*****	ACOUSTIC FOAM FRONT		1
	*****	ACOUSTIC FOAM SIDE		2
	*****	WIRING ASSY		1
7	SD000778	SIDE HANDLE ASSY		2
	*****	CABLE SADDLE	YL-3	4
	*****	LOCKING CABLE TIE	YJ-266	6
8	SD000934	SPEAKER 12' FULL RANGE	W1208-429A	1
9	SD000936	SPEAKER 3' TWEETER	TC308-429A	1
10	SD000928	HANDLE GRIP ASSY		1
		NOTE:'HANDLE GRIP ASSY' includes the following parts.		
	*****	HANDLE GRIP		1
11	SD000930	HANDLE HOLDER		2
12	SD000933	HANDLE BRACKET		2
13	*****	CUSHION GRIP		4
14	SD000929	GRILLE ASSY		1
		NOTE:'GRILLE ASSY' includes the following parts.		
15	*****	GRILLE		1
16	*****	BADGE R H37		1
17	*****	CUSHION BADGE R H37		1
18	*****	BADGE V-DRUMS		1
19	*****	CUSHION V-DRUMS		1
20	*****	CUSHION GRILLE L		2
21	*****	CUSHION GRILLE S		2
j	40230778	SCREW M3X8	OVAL MACHINE BZC	4
k	40011689	SPEED NUT M3	F_TYRE	4

# Exploded View (Cabinet 2/2)



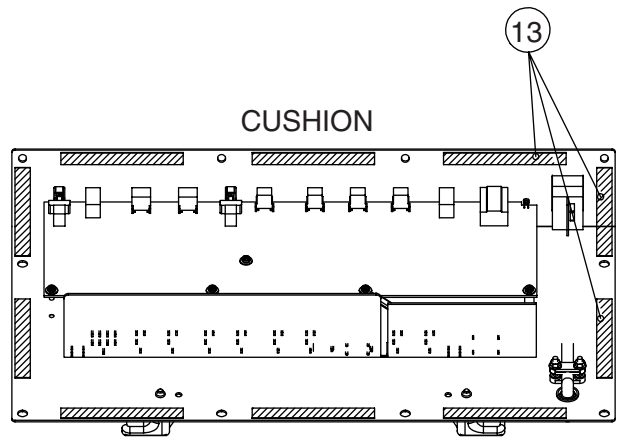
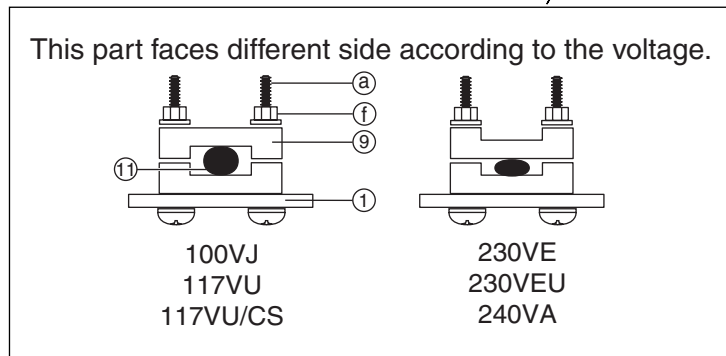
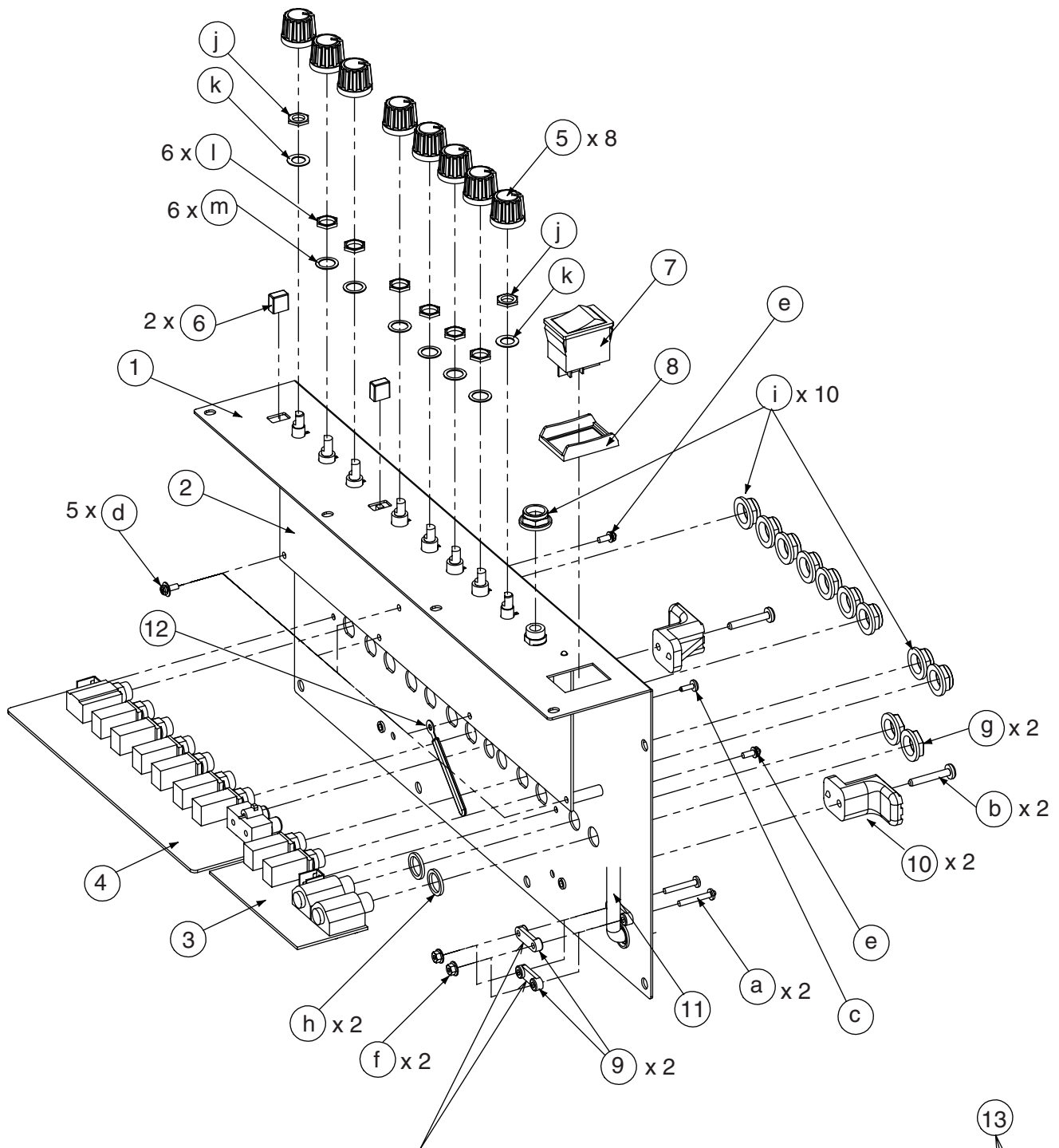
---

**Exploded View (Cabinet 2/2) Parts List**

---

No.	PART CODE	PART NAME	DESCRIPTION	Qty.
a	40010356	SCREW 4X20	BINDING MACHINE BZC	12
b	40010790	SCREW 3X16	BINDING TAPPING A BZC	8
c	40011323	SCREW 3X10	BINDING TAPTITE P BZC	8
d	40010578	SCREW M4X40	SPECIAL TRUSS BZC	6
e	40010612	SCREW M5X40	ORIGINAL TRUSS FE BZC	8
f	40010478	SCREW M5X25	OVAL MACHINE BZC FOR HANDLE	20
g	40010134	SCREW M4X20	TRUSS MACHINE BZC	10
h	40010678	SCREW M4X20	TRUSS TAPPING A FE BZC	16
i	SD000942	SCREW M5X25	TRUSS TAPPING A BZC	4

# Exploded View (Top Chassis)



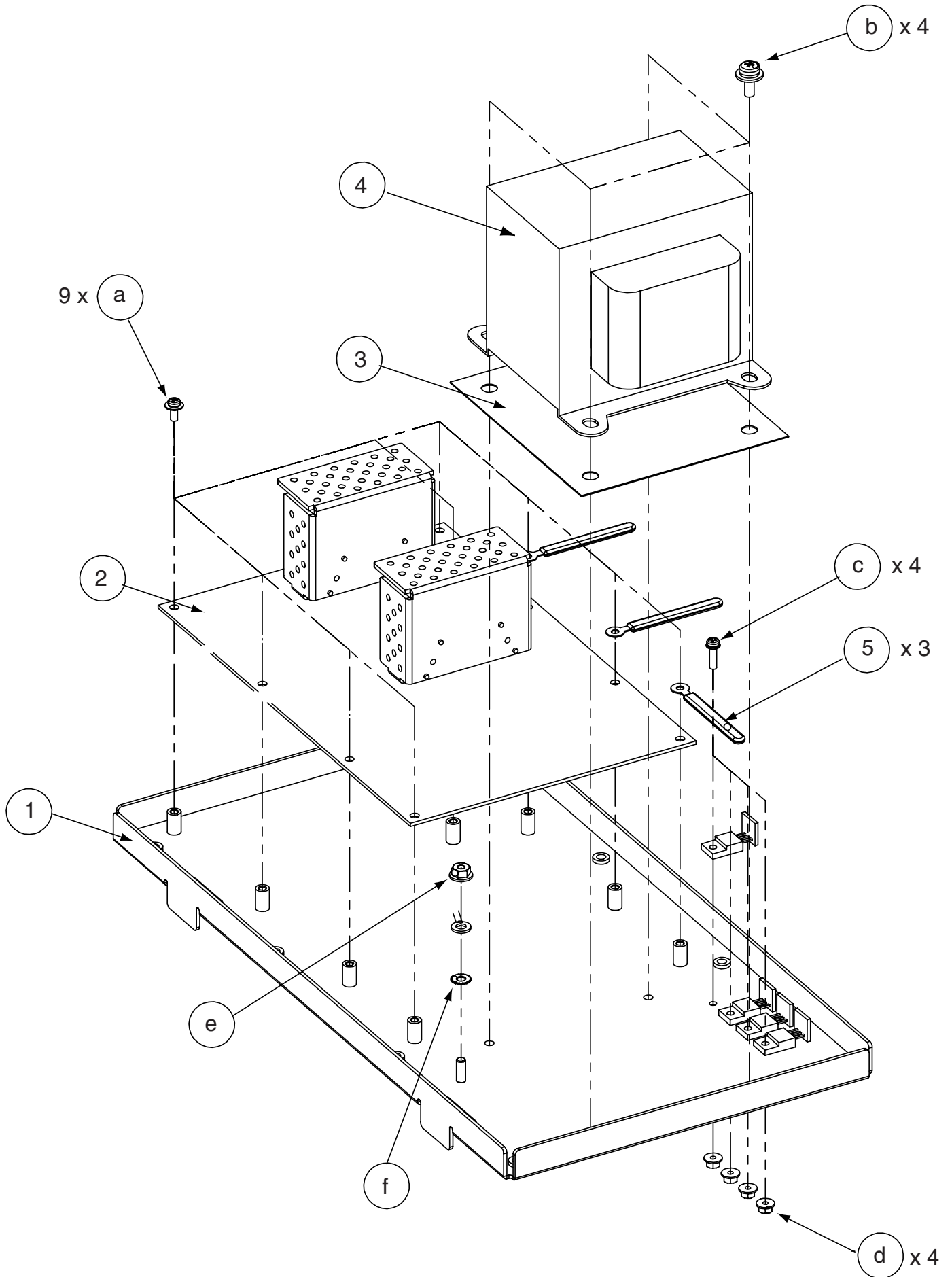
## Exploded View (Top Chassis) Parts List

No.	PART CODE	PART NAME	DESCRIPTION	Q'TY
1	SD000931	TOP CHASSIS		1
2	SD000887	MAIN BOARD ASSY	PREAMP BOARD	1
3	SD000887	MAIN BOARD ASSY	OUTPUT BOARD	1
4	SD000886	JACK BOARD ASSY		1
5	SD000043	R_KNOB	W/HOT STAMP	8
6	2249752100	PUSH BUTTON	BLACK#521	2
7	03782367	SEESAW SWITCH	JW-L11RKK	1
8	03782323	SW HOLDER	AT-218K	1
9	12369410RT	CORD CLAMP	1702B	2
10	22360705	CORD HOOK		2
11	SD000177	AC CORD PSE	SP_18A WITH TERIMINAL 100V	1
	SD000912	AC CORD ASSY	SP_20 117V(2P)	1
	SD000913	AC CORD ASSY	SP_026A 230V(2P)	1
	SD000914	AC CORD ASSY	SP_61 230VE(2P)	1
	SD000915	AC CORD ASSY	SP_501 240V(2P)	1
12	SD000327	WIRING CLIP	CS-3U	1
13	*****	CUSHION CHASSIS		

No.	PART CODE	PART NAME	DESCRIPTION	Q'TY
a	40010301	SCREW M3X20	BINDING MACHINE BZC	2
b	40565489	SCREW M4X25	PAN MACHINE W/SW BZC	2
c	40011312	SCREW 3X8	BINDING TAPTITE P BZC	1
d	40012867	SCREW M3X8	PAN MACHINE W/SW+PW ZC	5
e	40237101	SCREW M3X8	PAN MACHINE W/SW+SMALL PW BZC	2
f	40011756	FLANGE HEX NUT M3	ZC	2
g	SD000484	JACK NUT	S2 BNB	2
h	SD000485	JACK WASHER	S2 BNB	2
i	22150756	JACK NUT 2	PLASTIC/BLK	10
j	H5039521	VR ACCESSORY NUT M7	M7x12x0.5 NO.476	2
k	17048651	VR ACCESSORY WASHER M7		2
l	17048630	VR ACCESSORY NUT M9		6
m	17048631	VR ACCESSORY WASHER M9		6

# Exploded View (Amp Chassis)



## Exploded View (Amp Chassis) Parts List

No.	PART CODE	PART NAME	DESCRIPTION	QTY
1	SD000932	AMP CHASSIS		1
2	SD000887	MAIN BOARD ASSY	PS AMP BOARD	1
3	SD000954	TRANS SHEET		1
4	SD000938	TRANSFORMER 100V/117V		1
	SD000940	TRANSFORMER 230V/240V		1
5	SD000327	WIRE CLIP	CS-3U	3
No.	PART CODE	PART NAME	DESCRIPTION	QTY
a	40012867	SCREW M3X8	PAN MACHINE W/SW+PW ZC	9
b	40564590	SCREW M5X12	PAN MACHINE W/SW PW ZC	4
c	40455490	SCREW M3X12	PAN MACHINE W/SW+SMALL PW	4
d	40011756	FLANGE HEX NUT M3	ZC	4
e	40011767	FLANGE HEX NUT M4	FEZC	1
f	40011889	EXT TOOTH WASHER M4	FECM	1

# Parts List

**SAFETY PRECAUTIONS:**  
The parts marked  $\Delta$  have safety-related characteristics. Use only listed parts for replacement.

Due to one or more of the following reasons, parts with parts code \*\*\*\*\* cannot be supplied as service parts.

- Part supplied only as a component in a complete assembly
- Copyright does not permit the part to be supplied
- Part is sold commercially

NOTE: The parts marked # are new. (initial parts) The description "Q'TY" means a necessary number of the parts per one product.

<b>CASING</b>					
#		SD000927	CABINET ASSY		1
	$\Delta$	SD000780	CASTER SOCKET		4
		SD000781	FOOT D38 T19 W		4
#		SD000929	GRILLE ASSY		1
#	$\Delta$	SD000933	HANDLE BRACKET		2
#	$\Delta$	SD000928	HANDLE GRIP ASSY		1
#	$\Delta$	SD000930	HANDLE HOLDER		2
	$\Delta$	SD000778	SIDE HANDLE ASSEMBLY		2
<b>CHASSIS</b>					
#		SD000932	AMP CHASSIS		1
		22360705	CORD HOOK		2
#		SD000931	TOP CHASSIS		1
<b>KNOB,BUTTON</b>					
		SD000043	R-KNOB	W/HOT STAMP	8
		2249752100	PUSH BUTTON	BLACK #521	2
<b>SWITCH</b>					
	$\Delta$	01348745	SWITCH(PUSH)	SPUP192700	PSW1, PSW2 on PREAMP
		03782367	SEESAW SWITCH	JW-L11RKK	1
<b>JACK,EXT TERMINAL</b>					
		03234590	RCA(PIN) JACK	YKC21-3503	JK14 on JACK BOARD
		13449146	6.5MM JACK	YKB21-5012 (W/SW)	JK7, JK8, JK10, JK11, JK12, JK13 on JACK BOARD
		13449252	6.5MM JACK	YKB21-5006 (STEREO W/SW)	JK1 on PREAMP, JK5 on JACK BOARD
	$\Delta$	SD000495	JACK	S2 BNB PC-P KINKED	JK2, JK4 on OUTPUT BOARD
<b>SPEAKER, BUZZER</b>					
#	$\Delta$	SD000934	SPEAKER 12-INCH FULL RANGE	W1208-429A	1
#	$\Delta$	SD000936	SPEAKER 3-INCH TWEETER	TC308-429A	1
<b>PWB ASSY</b>					
#	$\Delta$	SD000886	JACK BOARD ASSY		1
#	$\Delta$	SD000887	MAIN BOARD ASSY		1
		NOTE: 'MAIN BOARD ASSY' includes the following parts.			
		*****	PS AMP BOARD		1
		*****	PRE AMP BOARD		1
		*****	OUTPUT BOARD		1
<b>DIODE</b>					
		02902278	L-934MBD	LED (BLUE)	LED1 on PREAMP BOARD
<b>POTENTIOMETER</b>					
#		SD000943	POTENTIOMETER	RD904F-20B3-15FW-0B10K-00Q2	VR4 on PREAMP
#		SD000935	POTENTIOMETER	RD904F-20B3-15FW-0B100K-00Q2	VR1 on PREAMP
#		SD000937	POTENTIOMETER	RD902F-20E3-15FW-0B100K-00DN8	VR2, VR3 on PREAMP
#		SD000941	POTENTIOMETER	RD901F-20E3-15FW-B10K-0CDN6	VR5, VR6, VR7 on PREAMP
#		SD000939	POTENTIOMETER	RD901F-20E3-15FW-B10K-00DN6	VR8 on PREAMP



<b>FUSE,FUSE HOLDER</b>						
	△	03670512	FUSE	5ST 5-R 5A/250V	FUSE1 on PREAMP	1
	△	03673801	FUSE	5ST 3.15 3.15A/250V	FUSE1 on PREAMP	1
<b>TRANSFORMER</b>						
#	△	SD000940	TRANSFORMER	(230V/240V)		1
#	△	SD000938	TRANSFORMER	(100V/117V)		1
<b>AC CORD ASSY (Installed)</b>						
	△	SD000914	AC CORD ASSY	SP-61 230VE(2P)		1
	△	SD000915	AC CORD ASSY	SP-501 240V(2P)		1
	△	SD000912	AC CORD ASSY	SP-20 117V(2P)		1
	△	SD000177	AC CORD PSE	SP-18A WITH TERMINAL 100V		1
	△	SD000913	AC CORD ASSY	SP-026A 230V(2P)		1
<b>SCREWS</b>						
		40011756	FLANGE HEX NUT M3	ZC	for CORD CLAMP 1702B	6
		40010678	SCREW 4X20	TRUSS TAPPING A FE BZC	for CASTER SOCKET	16
#		SD000942	SCREW M5X25	TRUSS TAPPING A BZC	for Foot	4
		40010134	SCREW M4X20	TRUSS MACHINE BZC	for TOP CHASSIS	10
		40010578	SCREW M4X40	SPECIAL TRUSS BZC	for GRILLE	6
		SD000484	JACK NUT	S2 BNB		2
		SD000485	JACK WASHER	S2 BNB		2
		22150756	JACK NUT 2	PLASTIC/BLK		10
		40455490	SCREW M3X12	PAN MACHINE W/ SW+SMALL PW	for REGULATOR	4
		40237101	SCREW M3X8	PAN MACHINE W/ SW+SMALL PW BZC	for OUTPUT BOARD	2
		40012867	SCREW M3X8	PAN MACHINE W/SW+PW ZC	for PREAMP BOARD, PS AMP BOARD	14
		40564590	SCREW M5X12	PAN MACHINE W/SW FW ZC	for TRANSFORMER	4
		40565489	SCREW M4X25	PAN MACHINE W/SW BZC	for CORD HOOK	2
		40010478	SCREW M5X25	OVAL MACHINE FE BZC FOR HANDL	for SIDE HANDLE	20
		40230778	SCREW 3X8	OVAL MACHINE BZC	for BADGE	4
		40010612	SCREW M5X40	ORIGINAL TRUSS FE BZC	for AMP CHASSIS	8
		17048651	VR ACCESSORY WASHER M7	M7X12X0.5 NO.476		2
		40011312	SCREW 3X8	BINDING TAPTITE P BZC		1
		40011889	EXTERNAL TOOTH WASHER M4	FECM	for CHASSIS GND	1
		40011767	FLANGE HEX NUT M4	FE ZC	for CHASSIS GND	1
		40011689	SPEED NUT M3	F-TYPE	for BADGE	4
		40011323	SCREW 3X10	BINDING TAPTITE P BZC	for HANDLE BLACKET	8
		40011101	SCREW 3X8	BINDING TAPTITE B BZC	for RCA (PIN) JACK	1
		40010790	SCREW 3X16	BINDING TAPPING A BZC	for CORNER COVER	8
		40010301	SCREW M3X20	BINDING MACHINE BZC	for CORD CLAMP 1702B	2
		40010356	SCREW 4X20	BINDING BZC	for SPEAKER	12
		H5039521	VR ACCESSORY NUT M7			2
		17048630	VR ACCESSORY NUT M9			6
		17048631	VR ACCESSORY WASHER M9			6
<b>PACKING</b>						
#		SD000949	PAD BOTTOM	POLYFOAM		1
#		SD000947	PAD MIDDLE	POLYFOAM		1
#		SD000944	PAD TOP	POLYFOAM		1
#		SD000945	PACKING CASE			1
<b>MISCELLANEOUS</b>						
		SD000327	WIRING CLIP	CS-3U		4
	△	40562234	UL LIGHTNING FLASH SEAL	CAUTION		1
	△	03782323	SW HOLDER	AT-218K		1
	△	12369410RT	AC CORD HOLDER	1702B		2
#	△	SD000954	TRANS SHEET		for TRANSFORMER	1
<b>ACCESSORIES (Standard)</b>						
#		SD000905	OWNER'S MANUAL	ENGLISH		1
#		SD000904	OWNER'S MANUAL	JAPANESE	OPTION	1
#	△	SD000957	SPEAKER CABLE	L=3.5M		2
#		SD000959	STAND ARM	L=250MM		2
		SU000072	HATCHED DRUM CLAMP	(#14645) ASSEMBLY		2
	△	SD000856	CASTER (W/O SOCKET)			4
#		SD000958	SATELLITE SPEAKER			2

# Test Mode

## Items Required

PM-30 unit  
Oscillator  
Digital meter  
Headphones

## Entering the Test Mode

### Connections

Have nothing connected to the PM-30 unit.

### Panel Settings

POWER SW: OFF  
PUNCH SW: OFF  
MODE SELECT SW: FULL RANGE  
All VRs: Minimum ("0" or "--")

Switch on the power, and within 2 to 6 seconds, operate the PUNCH SW twice (OFF -> ON, ON -> OFF).

After that, press the MODE SELECT SW twice (FULL RANGE -> SUBWOOFER, SUB WOOFER -> FULL RANGE).

## Quitting the Test Mode

Switching off the power quits the Test mode.

## Skipping

Inspection items cannot be skipped.

## Inspection Items

1. Version Confirmation
2. DSP Inspection
3. Volume Control Inspection
4. Mute Circuit Inspection
5. Headphones Inspection
6. Signal Level Inspection

## Proceeding with the Inspection Items

### 1. Version Confirmation

The duration and number of flashes of the LED indicate the version number.

Version	Long flashed	Short flashed
1.00	1	0
1.10	1	1
1.20	1	2
1.30	1	3
1.40	1	4
1.50	1	5

### 2. DSP Inspection

While the LED is displaying the version number, press the PUNCH SW once. When it comes on, the LED goes dark and DSP inspection starts automatically.

LED when inspection results are OK: Illuminated  
LED when inspection results are not OK: Flashing

If the inspection results are OK, press the PUNCH SW once to turn it off. The LED goes dark and execution advances to the next inspection item.

### 3. Volume Control Inspection

Working in the sequence shown below, turn each control from minimum to maximum. (Do not return any to minimum.)

1. MASTER VOLUME
2. EQ TREBLE
3. EQ MIDDLE
4. EQ BASS
5. WOOFER CONTROL VOLUME

Turn the control while verifying the following.

- The sound of test signal must become louder as the control is turned toward maximum.
- When the control has been turned to the middle position, the sound of test signal must become high-pitched and the LED must light up.
- When the control has been turned all the way to maximum, the sound of test signal must disappear and the LED must go dark.
- For the EQ controls, a click must be felt at the middle position.

If the inspection results are OK, press the PUNCH SW once to turn it on. sound of test signal is output from WOOFER and execution advances to the next inspection item.

### 4. Mute Circuit Inspection

While the sound of test signal is being output from WOOFER, press the MODE SELECT SW once, and when the SUBWOOFER MODE is enabled, make sure that the sound of test signal disappears and the LED flashes.

When the MODE SELECT SW has been pressed once more and the FULL RANGE MODE has been entered, make sure that the sound of test signal is output again and the LED lights up, then proceed to the next inspection item.

### 5. Headphones Inspection

While the sound of test signal is being output, connect headphones to the PHONES jack and make sure that the sound of test signal is output from the headphones and that the LED changes from being steadily lighted to flashing. When the MODE SELECT SW has been pressed once and the SUB WOOFER MODE has been entered, make sure the sound of test signal disappears from the headphones and the LED flashes.

When the MODE SELECT SW has been pressed once and the FULL RANGE MODE has been entered, make sure that the sound of test signal is output again and the LED lights up steadily, then disconnect the headphones from the PHONES jack.

After verifying that the sound of test signal is output from WOOFER, press the PUNCH SW once to turn it off. The sound of test signal disappears and execution advances to the next inspection.

## 6. Signal Level Inspection

### Oscillator Signal Levels

V-DRUMS input	+0.5 dBu at 1 kHz
LINE IN input	-7.6 dBu at 1 kHz

### PM-30 Settings

PUNCH switch	OFF
CH1 VOLUME control	Maximum
CH2 and 3 VOLUME controls	Minimum
MODE SELECT SWITCH	FULL RANGE
WOOFER VOLUME control	Maximum
BASS, MIDDLE, and TREBLE controls	Maximum
MASTER VOLUME	Middle position

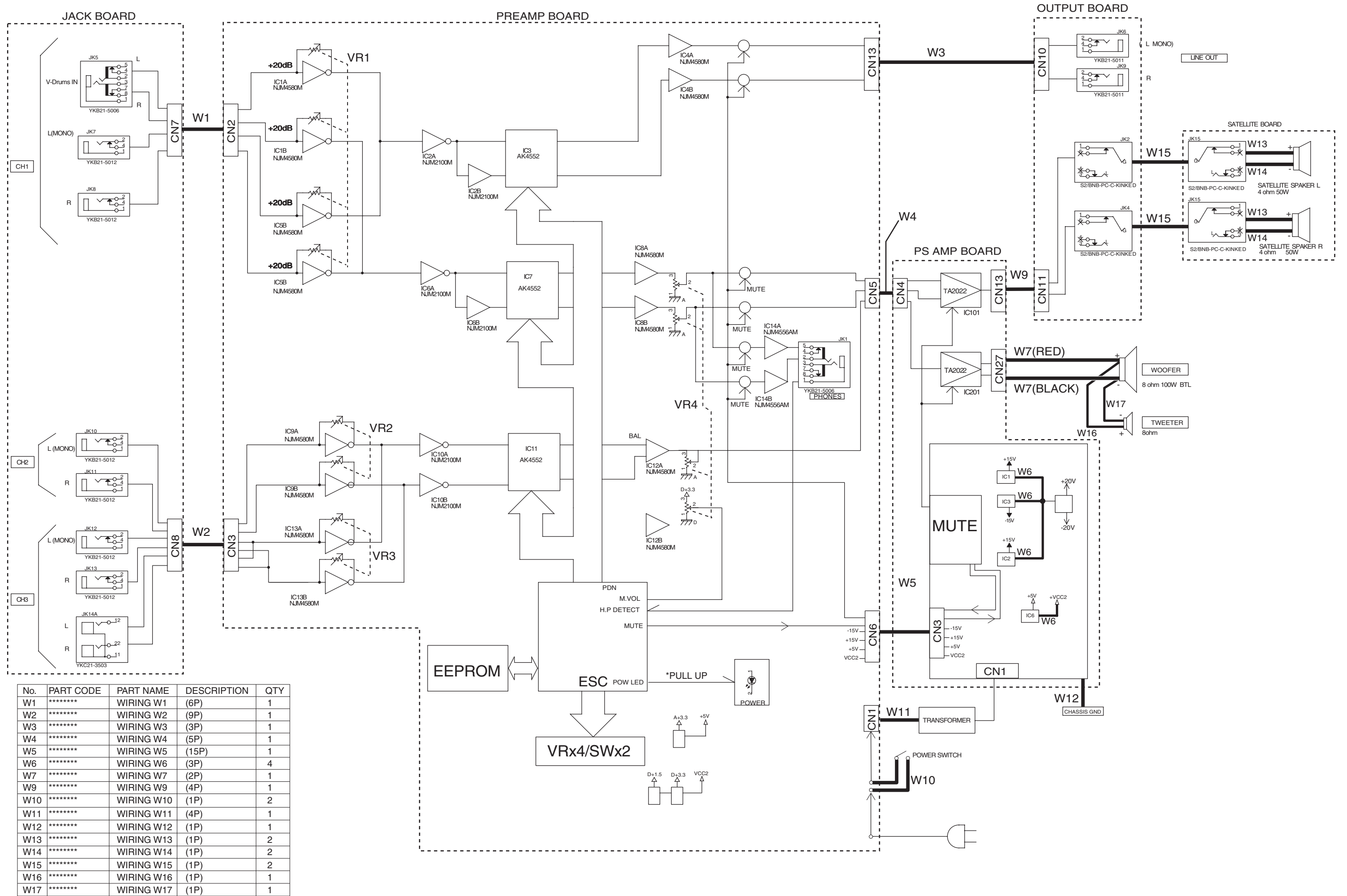
### Checkpoint Signal-level Confirmation

Input a signal from the oscillator to CH1 and turn the CH1 VOLUME control to maximum.

Make sure the specified level is output at the 17 points indicated on **Circuit Diagram (Preamp/Output Board 1/2)** (p. 26).

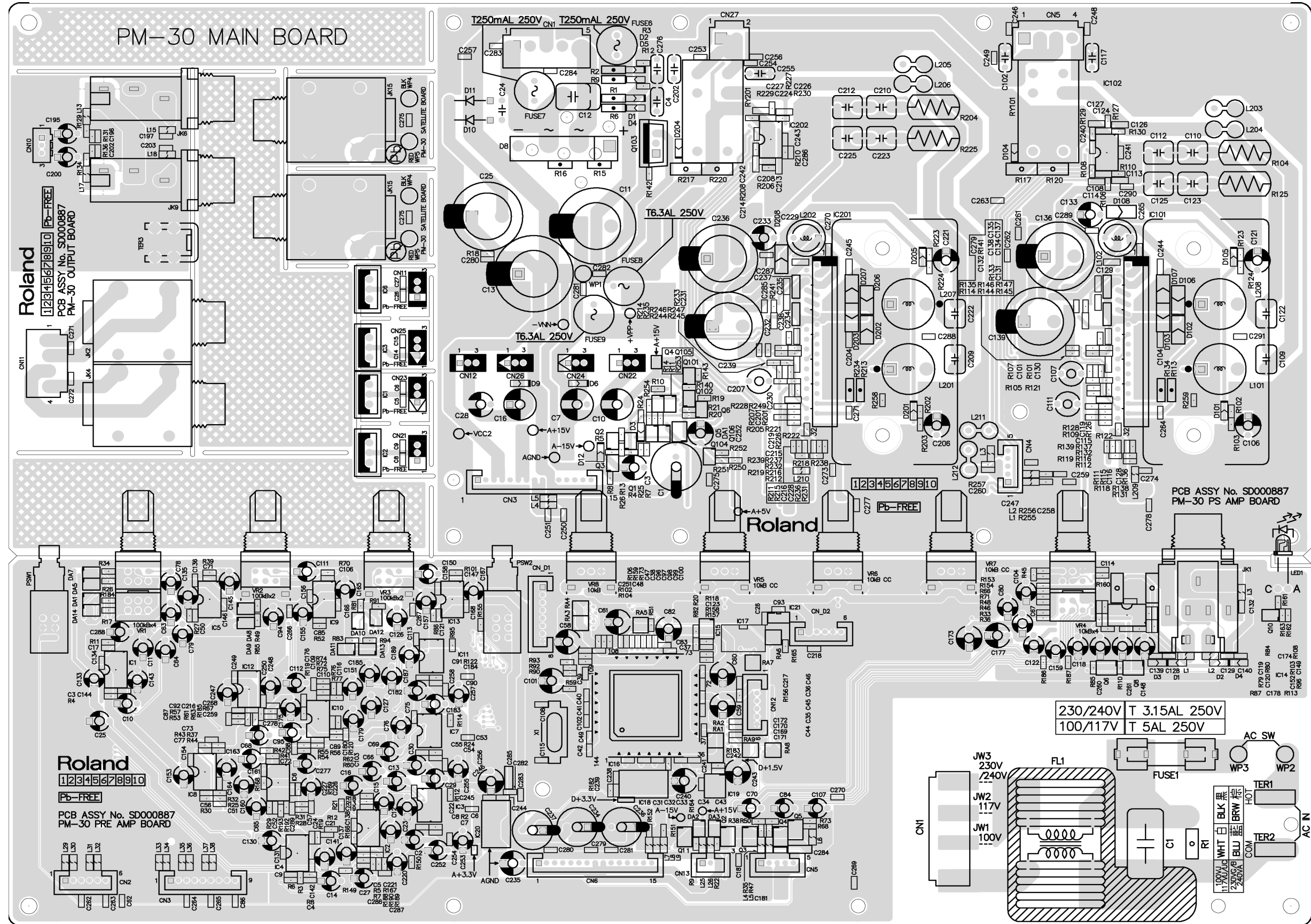
This completes the inspection.

# Block Diagram



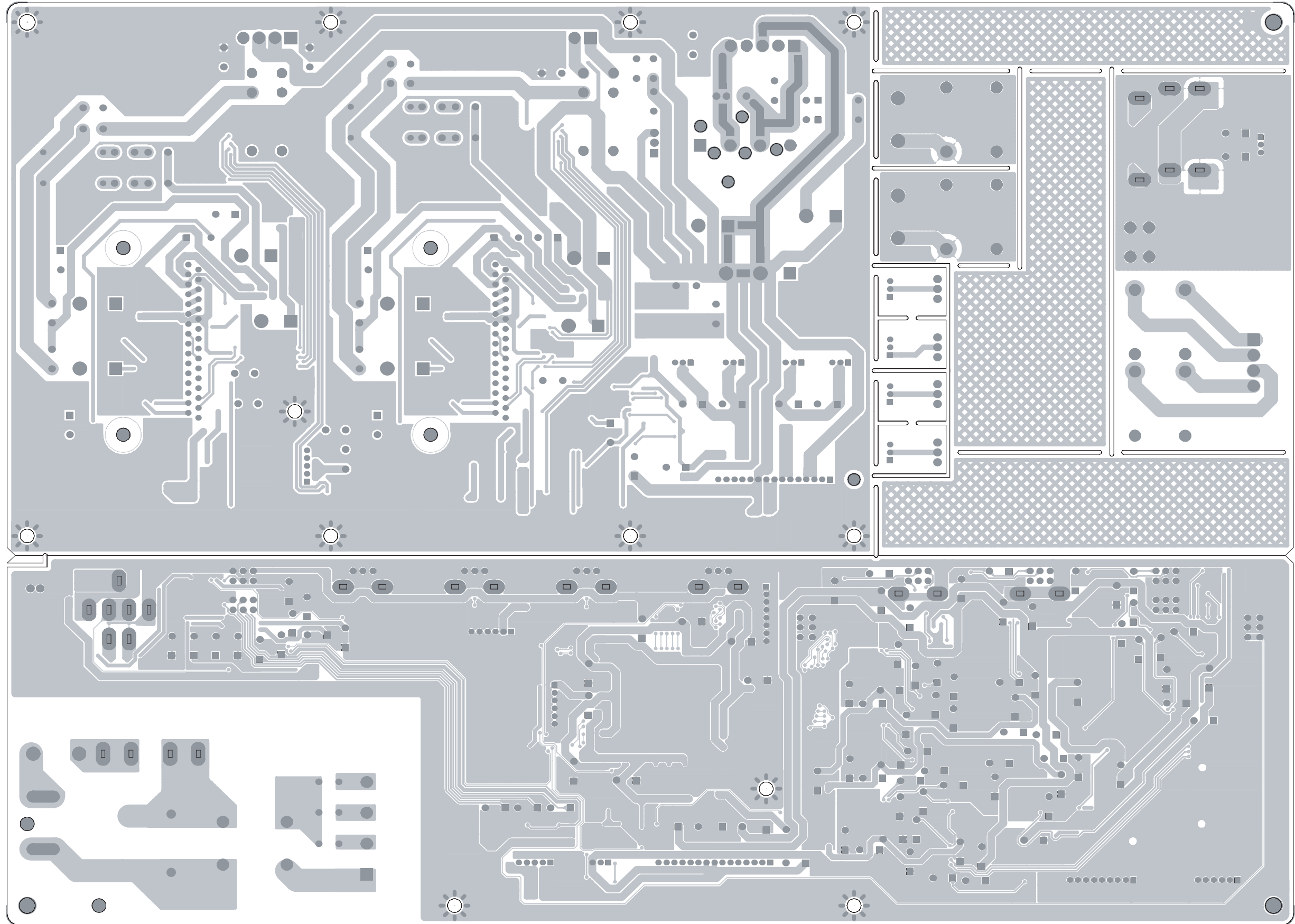
No.	PART CODE	PART NAME	DESCRIPTION	QTY
W1	*****	WIRING W1	(6P)	1
W2	*****	WIRING W2	(9P)	1
W3	*****	WIRING W3	(3P)	1
W4	*****	WIRING W4	(5P)	1
W5	*****	WIRING W5	(15P)	1
W6	*****	WIRING W6	(3P)	4
W7	*****	WIRING W7	(2P)	1
W9	*****	WIRING W9	(4P)	1
W10	*****	WIRING W10	(1P)	2
W11	*****	WIRING W11	(4P)	1
W12	*****	WIRING W12	(1P)	1
W13	*****	WIRING W13	(1P)	2
W14	*****	WIRING W14	(1P)	2
W15	*****	WIRING W15	(1P)	2
W16	*****	WIRING W16	(1P)	1
W17	*****	WIRING W17	(1P)	1

# Circuit Board (Main Board 1: Preamp/PS Amp/Output)



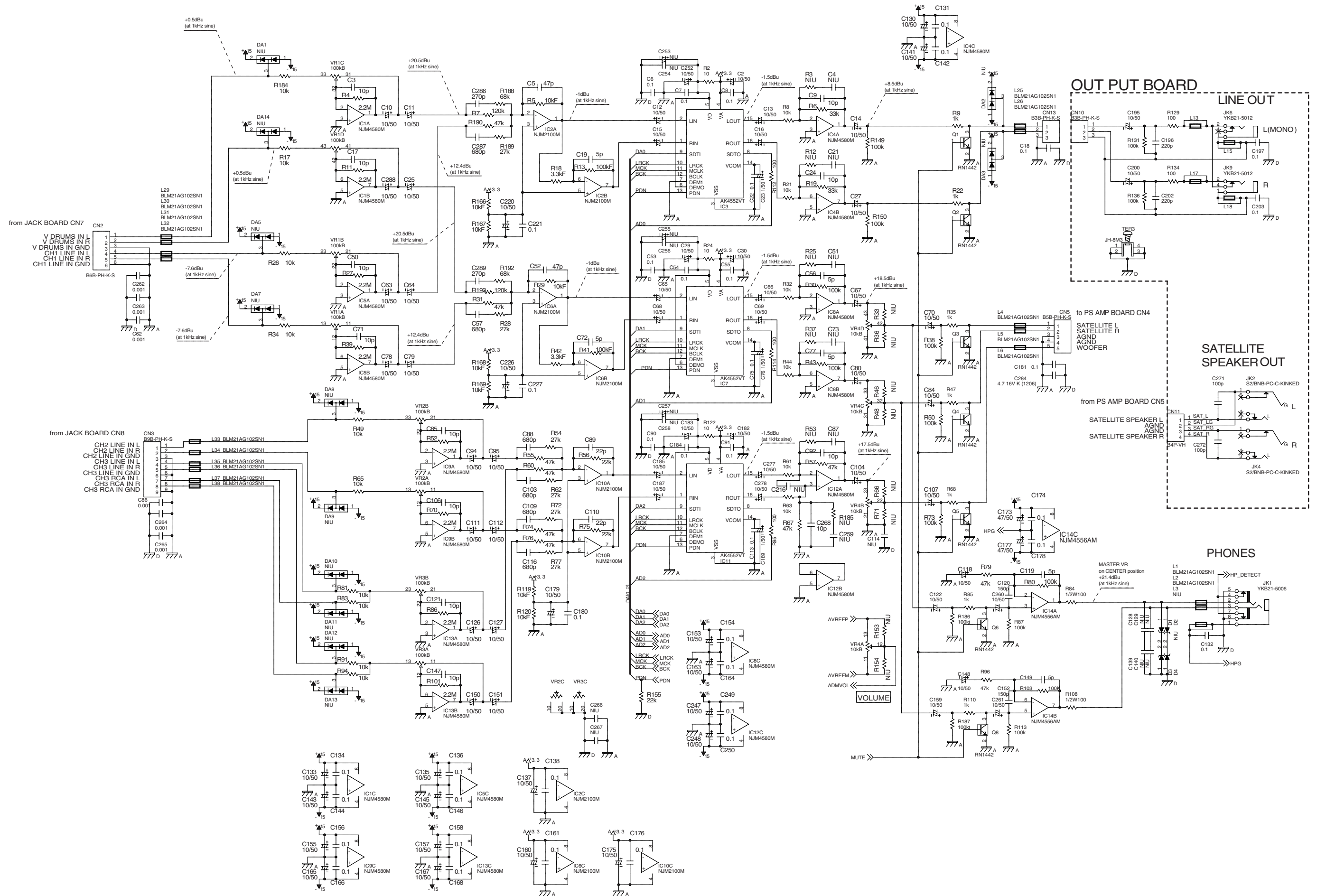
View from Components Side

### Circuit Board (Main Board 2: Preamp/PS Amp/Output)

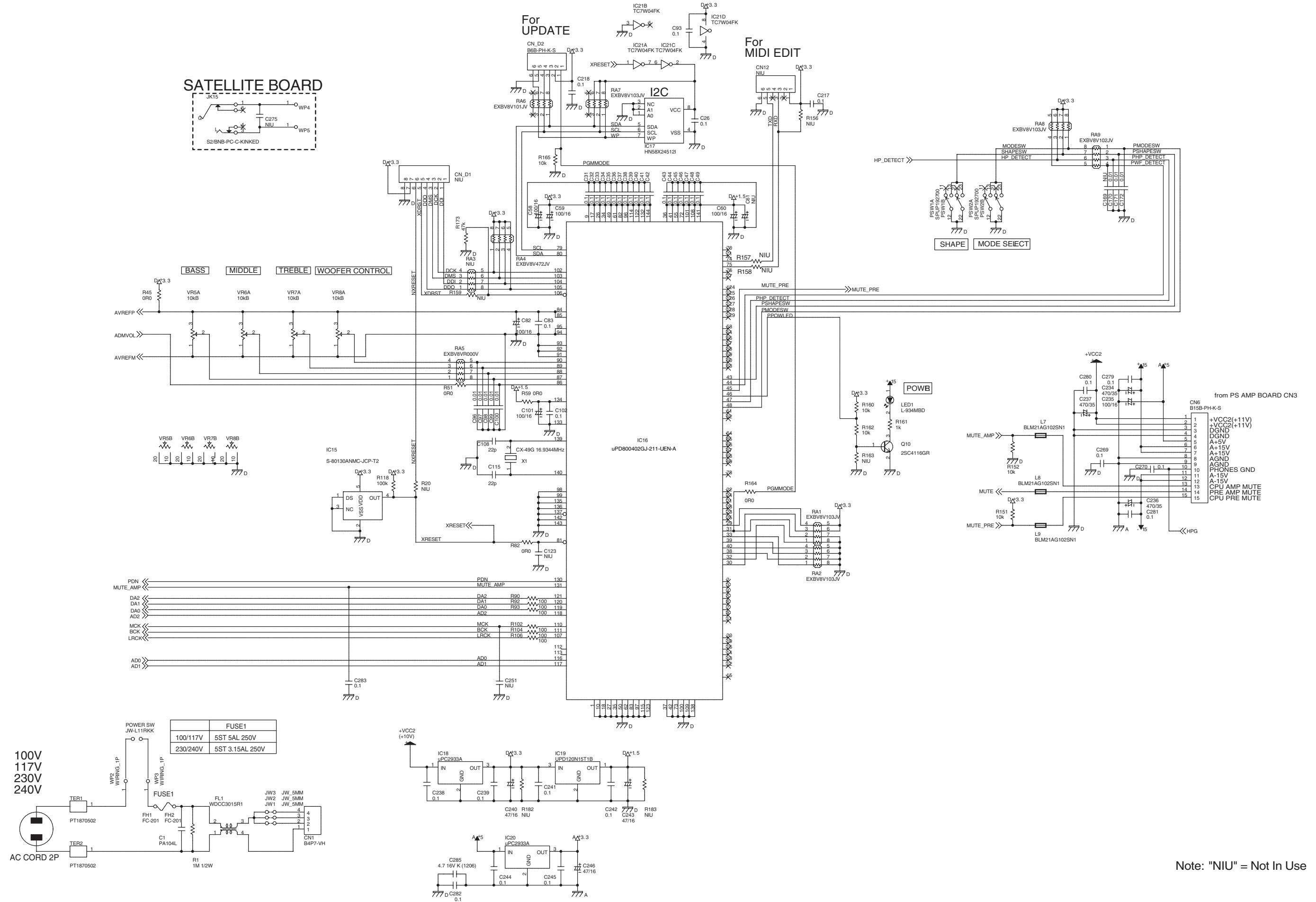


View from Foil Side

# Circuit Diagram (Preamp/Output Board 1/2)

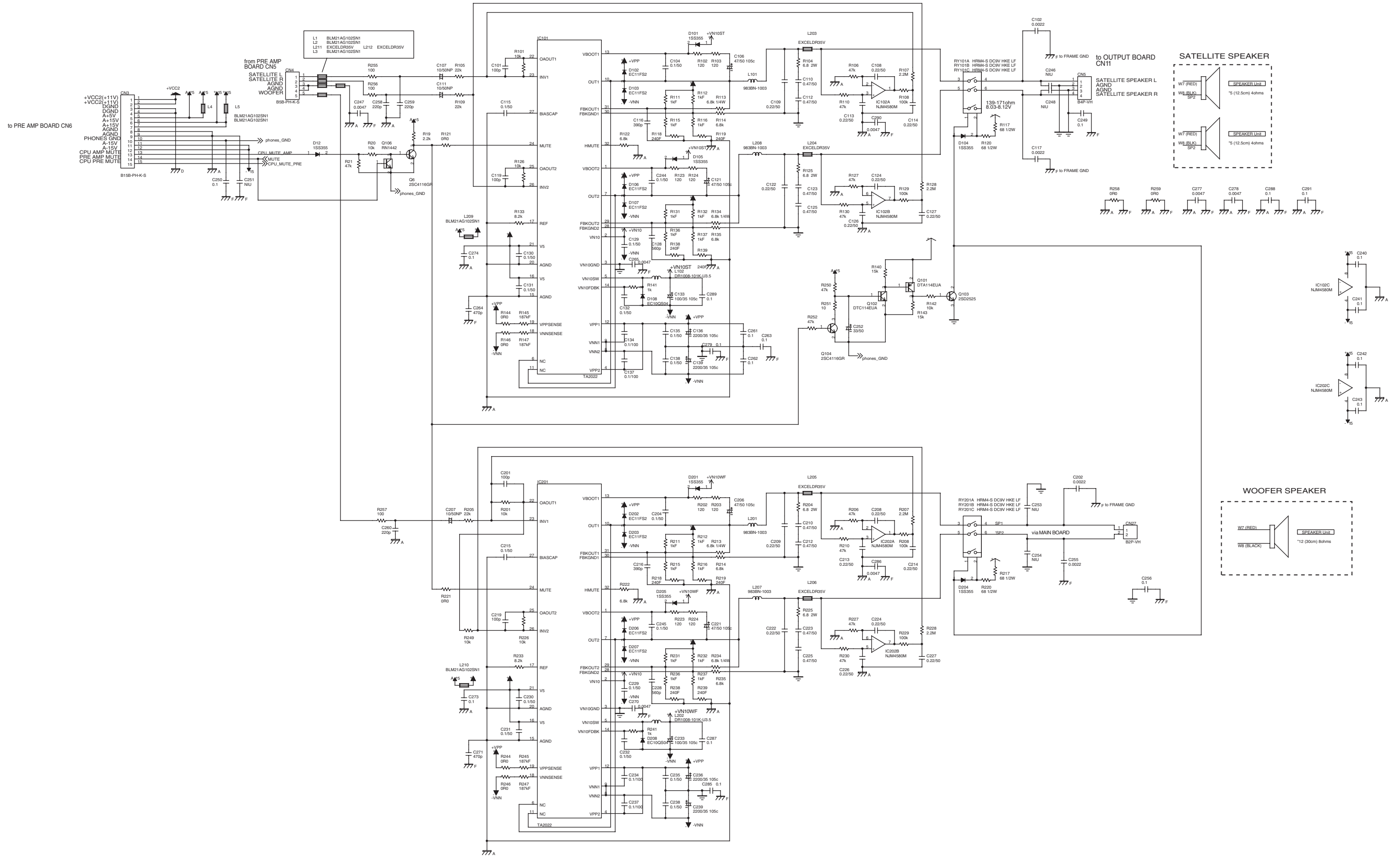


# Circuit Diagram (Preamp/Output Board 2/2)

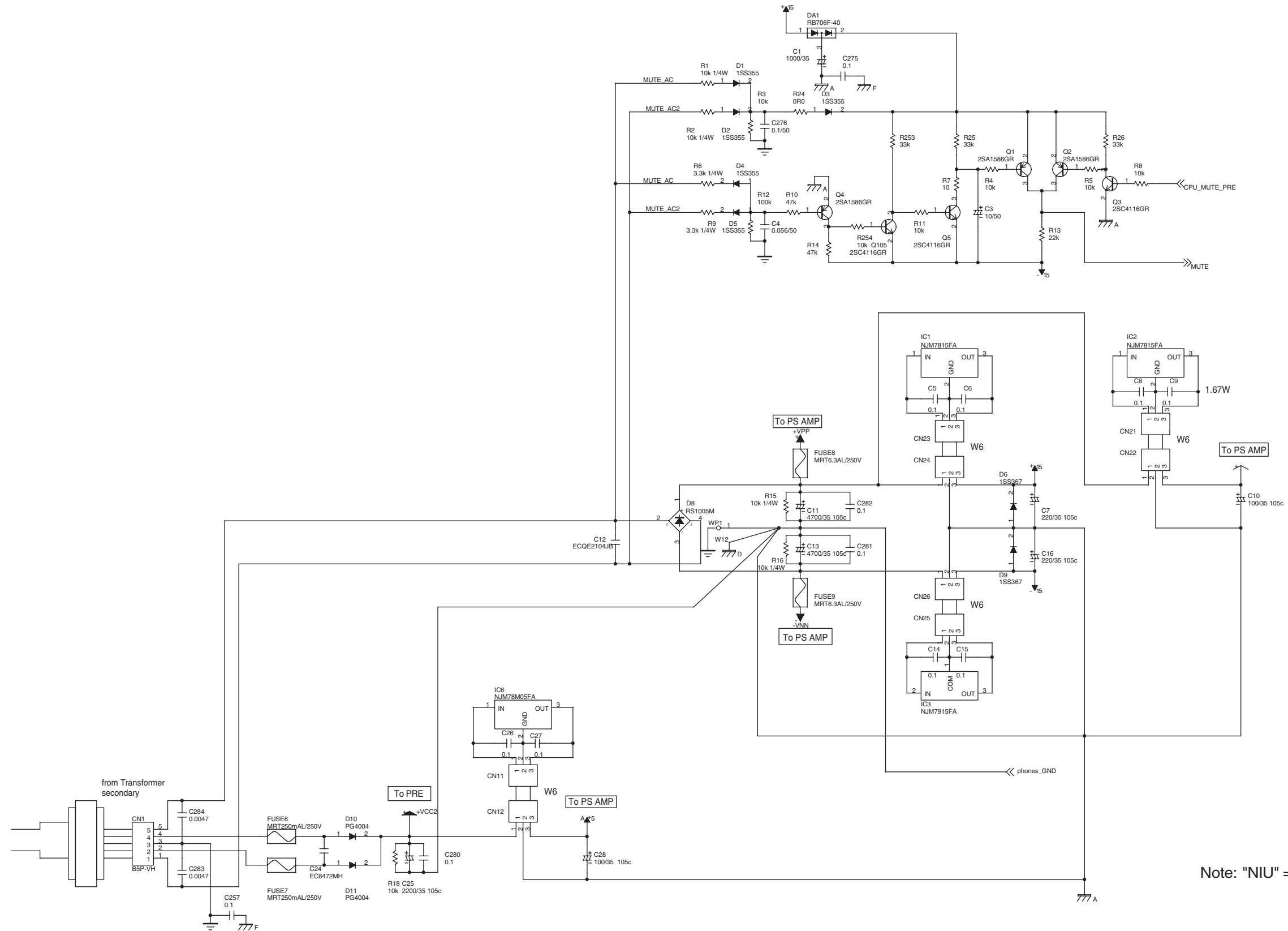




# Circuit Diagram (PS Amp Board 1/2)

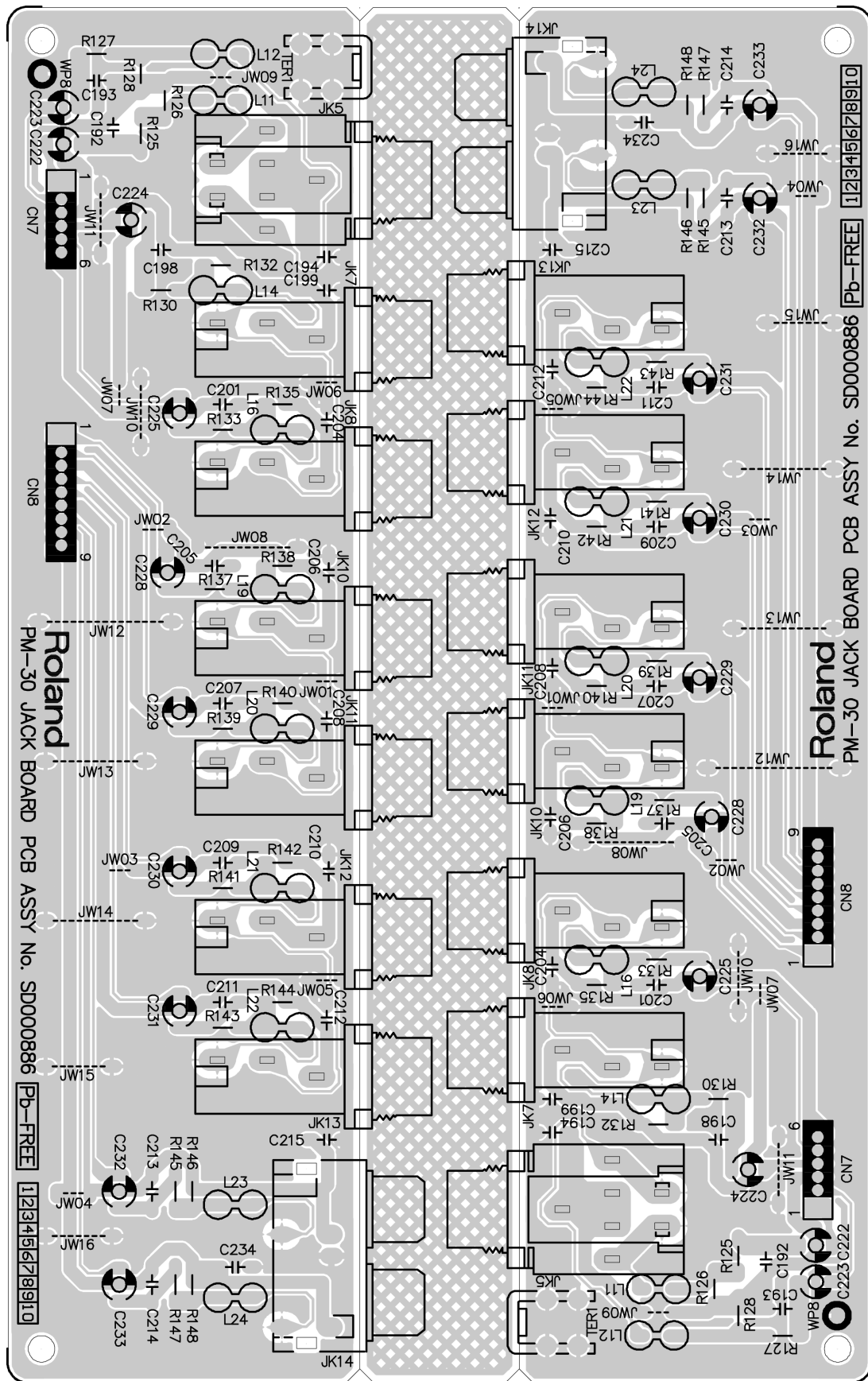


# Circuit Diagram (PS Amp Board 2/2)



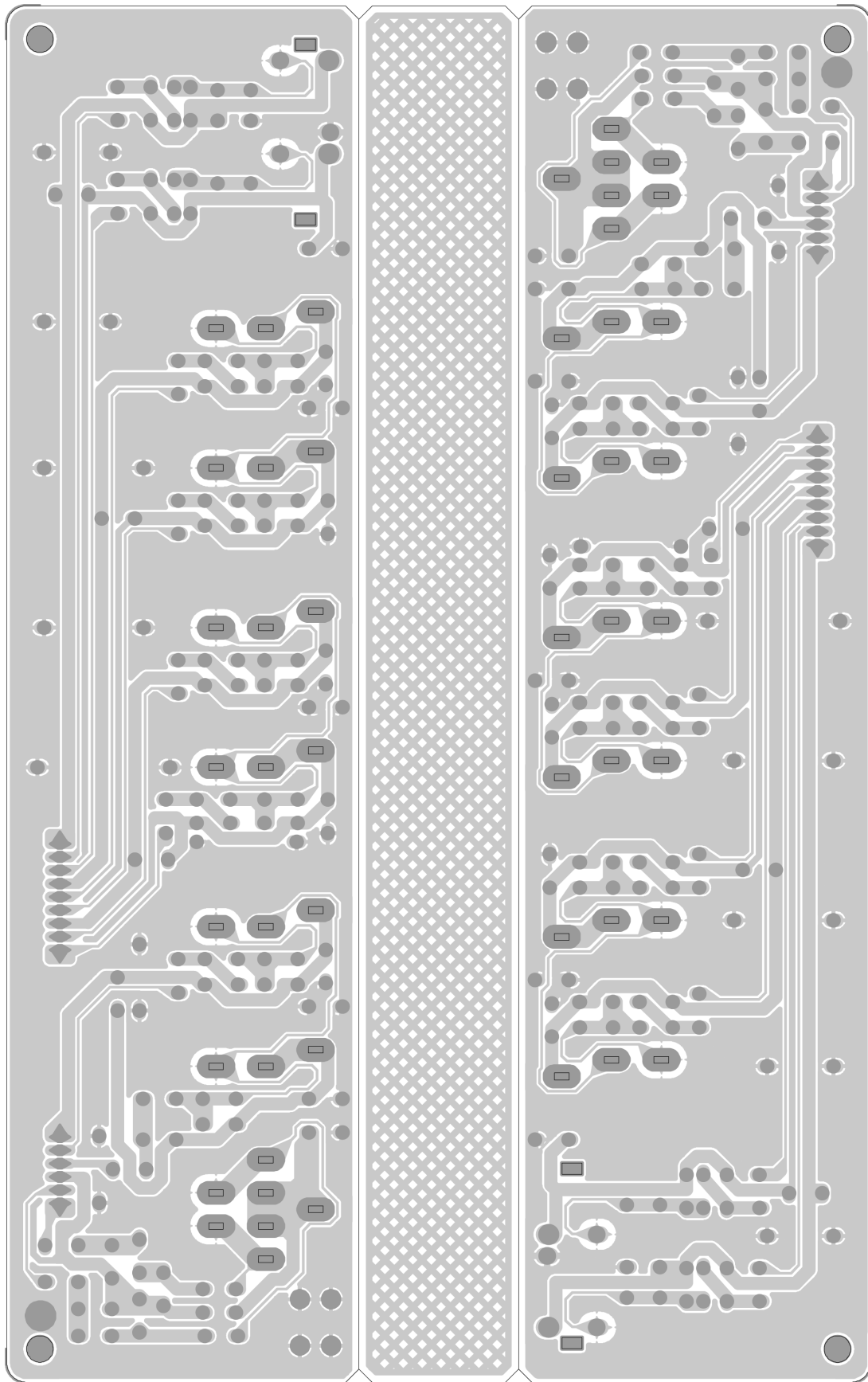
Note: "NIU" = Not In Use

# Circuit Board (Jack Board 1)



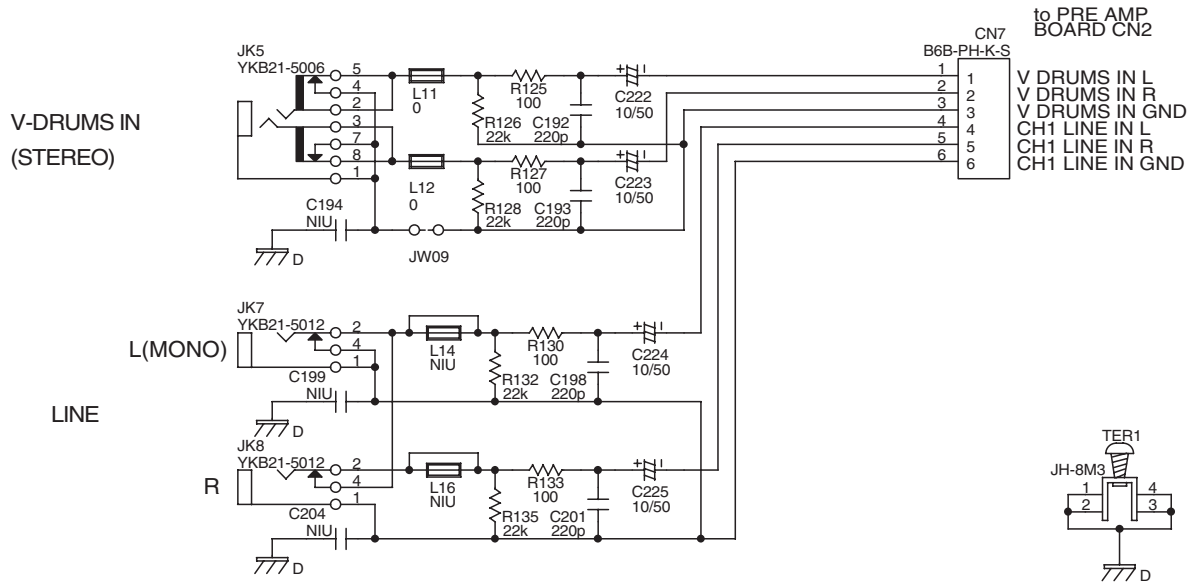
View from Components Side

# Circuit Board (Jack Board 2)

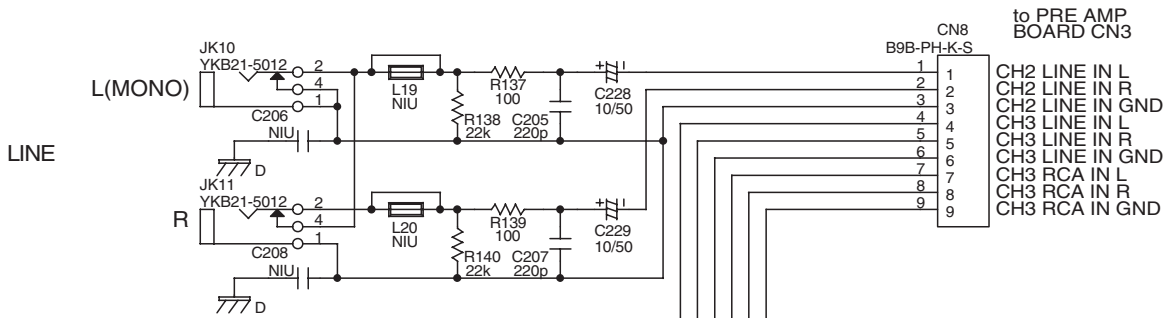


View from Foil Side

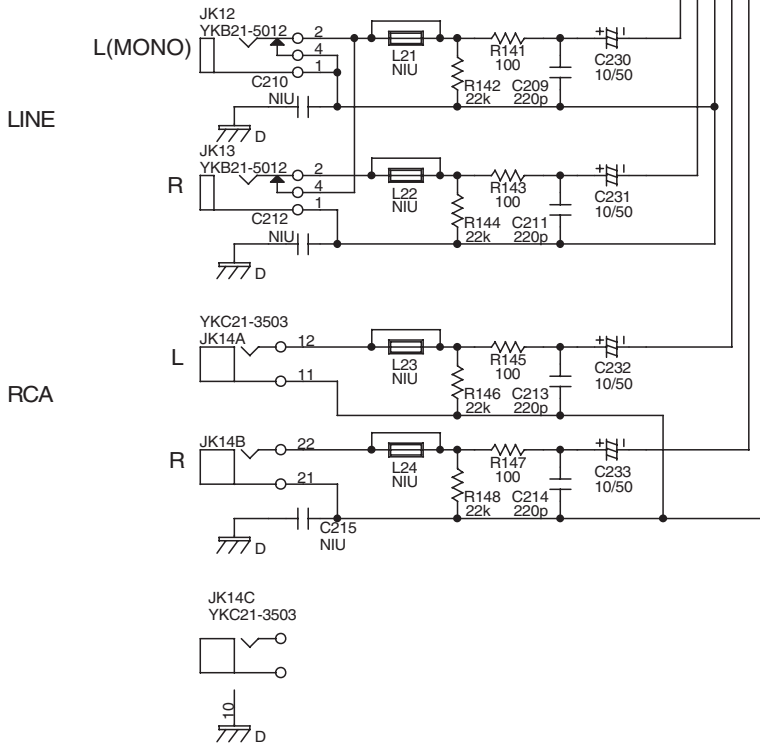
# Circuit Diagram (Jack Board)



## CH2



## CH3











---

# MEMO