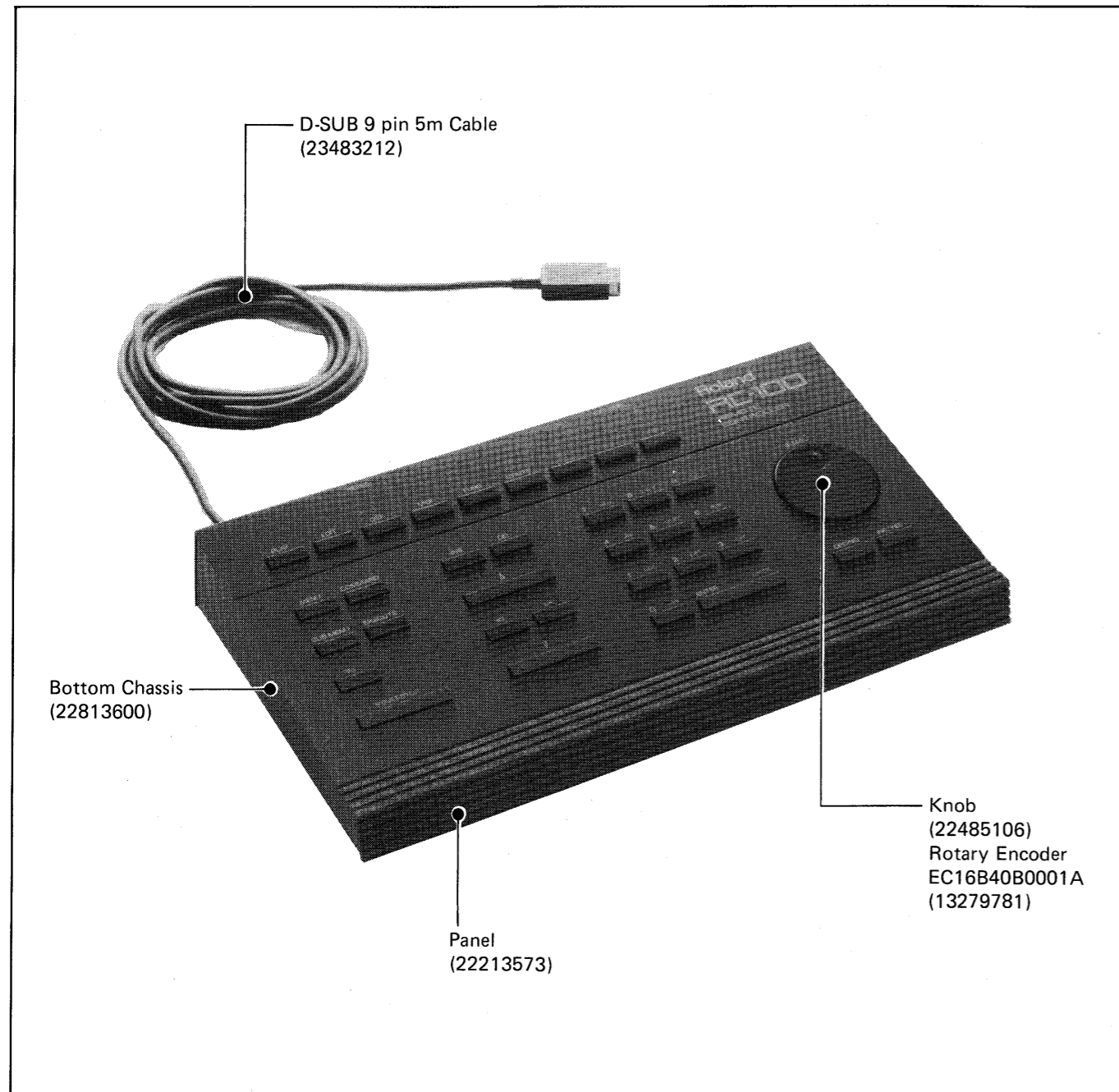
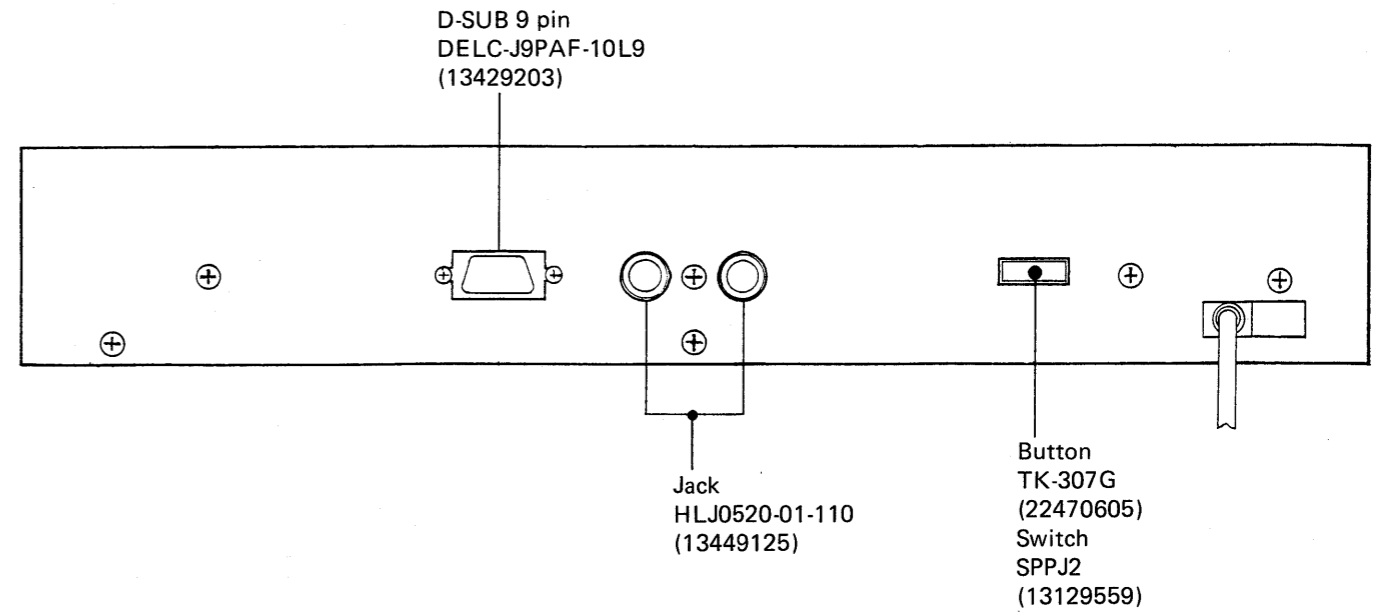


RC-100

SERVICE NOTES *First Edition*

SPECIFICATIONS

Dimensions : 300 (W) x 173 (D) x 53 (H) mm
 11-13/16 x 6-13/16 x 2-1/16 in.
Consumption : 1W
Weight : 1.4 kg
Connection Cord : 5.0 m x 1
Connection Connector : D SUB, 9 PIN



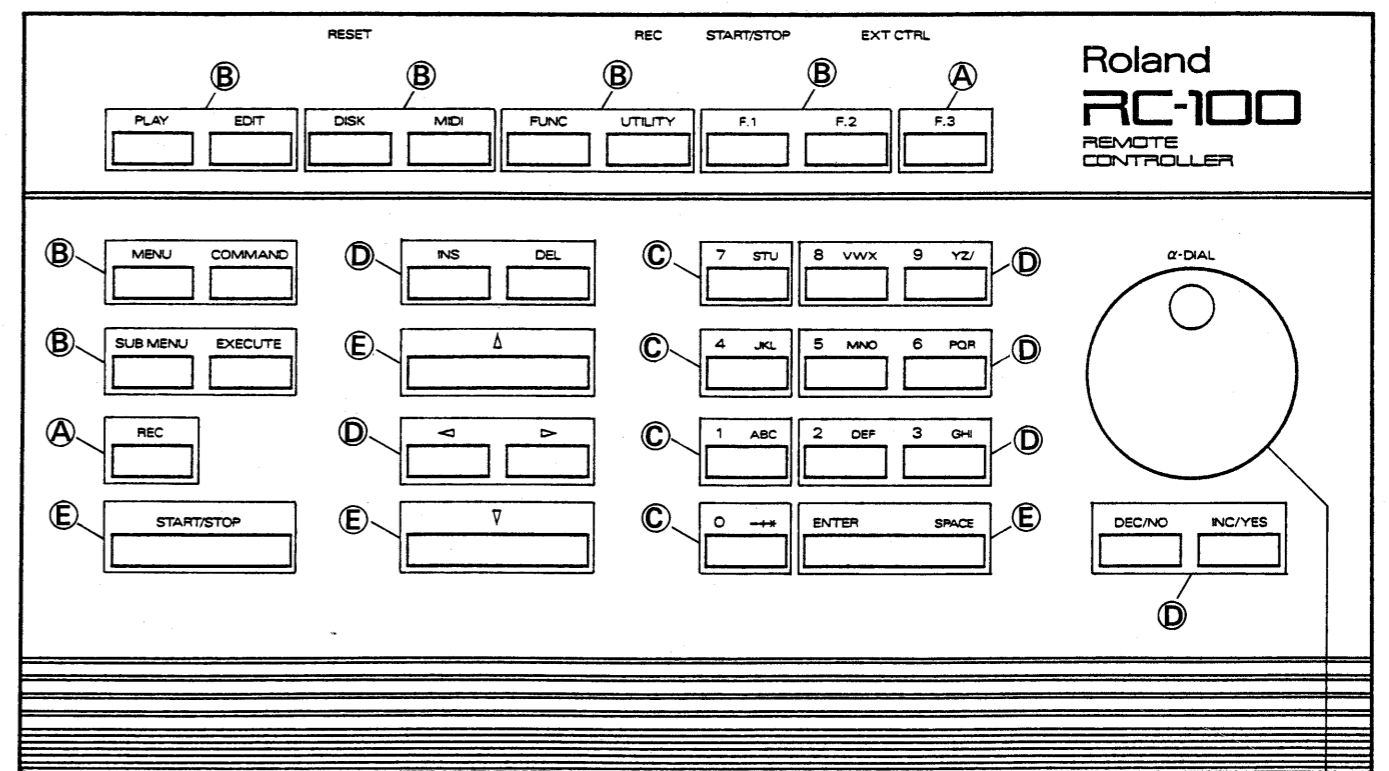
BUTTON

- (A) 22475656
- (B) 22475657
- (C) 22475658
- (D) 22475659
- (E) 22493182

- BUTTON LED 1P
- BUTTON LED 2P
- BUTTON 1P
- BUTTON 2P
- BUTTON L

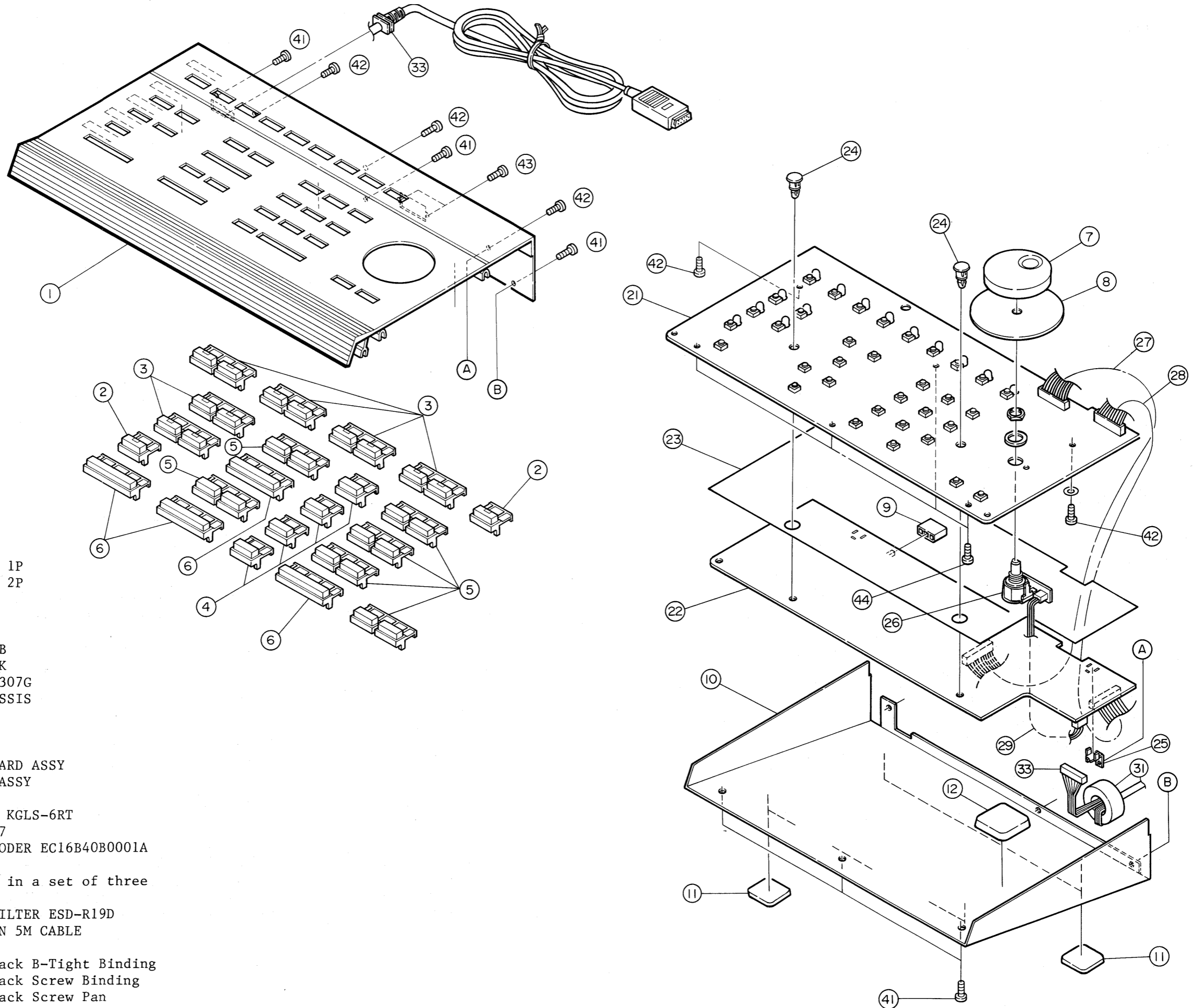
SWITCH

- 13169633 SKHHAD039A



Knob
 (22485106)
 Rotary Encoder
 EC16B40B0001A
 (13279781)

EXPLODED VIEW



- | | | |
|----|------------|------------------------------|
| 1 | 2221357301 | PANEL |
| 2 | 22475656 | BUTTON LED 1P |
| 3 | 22475657 | LED 2P |
| 4 | 22475658 | 1P |
| 5 | 22475659 | 2P |
| 6 | 22493182 | L |
| 7 | 22485106 | α DIAL KNOB |
| 8 | 22245142 | VOLUME MASK |
| 9 | 22470605 | BUTTON TK-307G |
| 10 | 22813600 | BOTTOM CHASSIS |
| 11 | 22350313 | BASE |
| 12 | 22355334 | BASE |
| | | |
| 21 | 7938411002 | CONTROL BOARD ASSY |
| 22 | 7938412002 | CPU BOARD ASSY |
| 23 | 22163131 | SPACER |
| 24 | 12199565 | PCB HOLDER KGLS-6RT |
| 25 | 22190757 | HOLDER #757 |
| 26 | 13279781 | ROTARY ENCODER EC16B40B0001A |
| 27 | 23493650 | WIRING A |
| 28 | | WIRING B |
| 29 | | WIRING C |
| | | } in a set of three |
| 31 | 12449299 | DATALINE FILTER ESD-R19D |
| 33 | 23483212 | D-SUB 9 PIN 5M CABLE |
| | | |
| 41 | | 3x6 mm Black B-Tight Binding |
| 42 | | 3x6 mm Black Screw Binding |
| 43 | | 2.6x5mm Black Screw Pan |
| 44 | | 3x6 mm B-Tight Binding |

PARTS LISTCASE

22213573	Panel
22813600	Bottom Chassis
22355313	Base

BUTTON, KNOB

22475656	Button LED 1P	REC,F-3
22475657	Button LED 2P	PLAY EDIT:DISK MIDI;FUNC UTILITY:F-1 F-2:MENU COMMAND;SUB MENU EXECUTE
22475658	Button 1P	7, 4, 1, 0
22475659	Button 2P	INS DEL:◀▶:8 9:5 6:2 3:DEC/NO INC/YES
22493182	Button L	START/STOP, ▲, ▼, ENTER
22470605	Button TK-307 G	RESET
22485106	Knob	α DIAL

PCB ASSY

79384110	CONTROL Board	(pcb 22923512)
79384120	CPU Board w/rotary encoder board	(pcb 22923512)

IC

15179253	MSM80C31RS	CPU
15229861	M60003A-0117SP	Gate Array
15169515B0	M74HC00P	quad 2-input NAND gate
15169514B0	M74HC04P	hex inverter
15169555B0	M74HC393P	dual 4-bit binary counter
15169544B0	M74HC573P	3 state octal D-type latch
15179855	LH5764-20	one time P-ROM

TRANSISTOR

15129150	DTC 114EF	with built-in resistors
----------	-----------	-------------------------

LED

15029222	SLR-55VC3F	(red)
----------	------------	-------

SWITCH

13169633	SKHHAD039A	tact
13279781	EC16B40B0001A	rotary encoder
13129559	SPPJ 2	push

RESISTOR ARRAY

13919140	RGLD 8-103J	10KΩ x 8
13919188	RGLD 9-103J	10KΩ x 9

CONNECTOR

13429203	DELC-J9PAF-10L9	D-SUB 9 pin
13439330	IL-S-3P-S2T2-EF	
13439423	M84-09-70-114P	

JACK

13449125	HLJ0520-01-110	REC.START/STOP
----------	----------------	----------------

INDUCTOR

22445240	BLO2RNS-R62	ferrite beads
13529158	ZJSC-2R2-101	EMI filter

WIRING ASSY

2349365001	Wiring A	120mm 12 pin
	Wiring B in a set of three	120mm 12 pin
	Wiring C	150mm 3 pin

MISCELLANEOUS

12389800	Ceramic Resonator	KMFC1005T1
23483212	D-SUB Cable 9 pin 5m	
12199565	PCB Holder	KGLS-6RT
22190757	Holder #757	
22355334	Base	
12449299	Data Line Filter	ESD-R19D

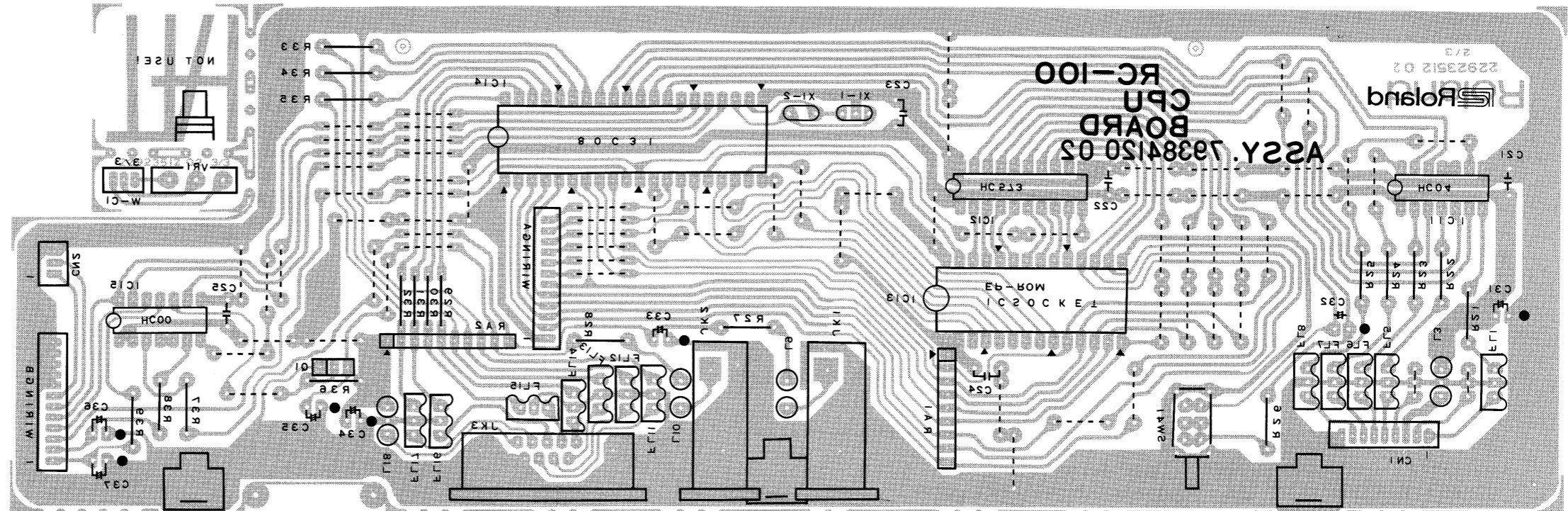
1 2 3 4 5 6 7 8 9 10 11 12 13 14 15 16 17 18 19 20 21 22 23 24 25 26 27 28 29 30 31 32 33 34 35 36 37 38

A
B
C
D
E
F
G
H
I
J
K
L
M
N
O
P
Q
R
S
T
U
V

↑

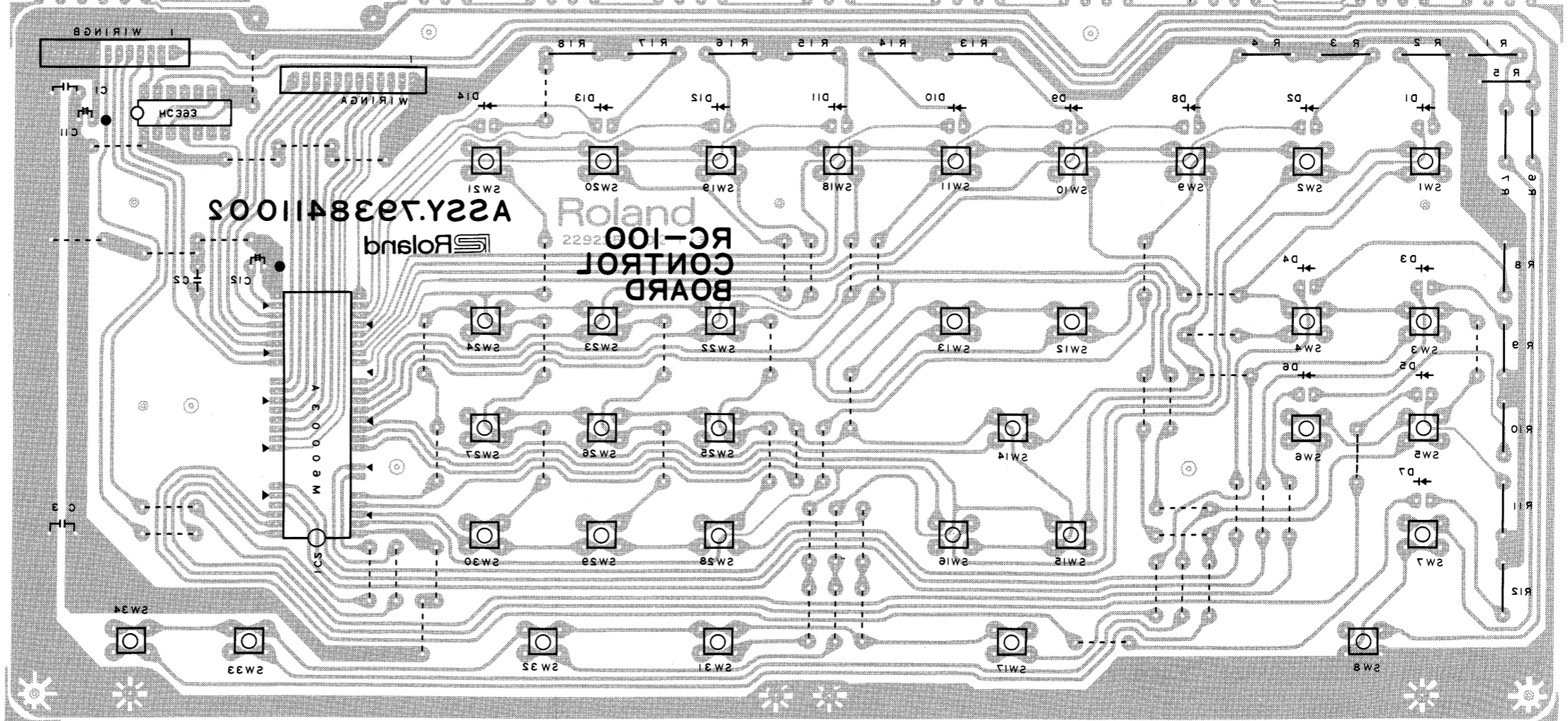
CPU BOARD
ASSY 79384120
(pcb 22923512)

View from foil side



CONTROL BOARD
ASSY 79384110
(pcb 22923512)

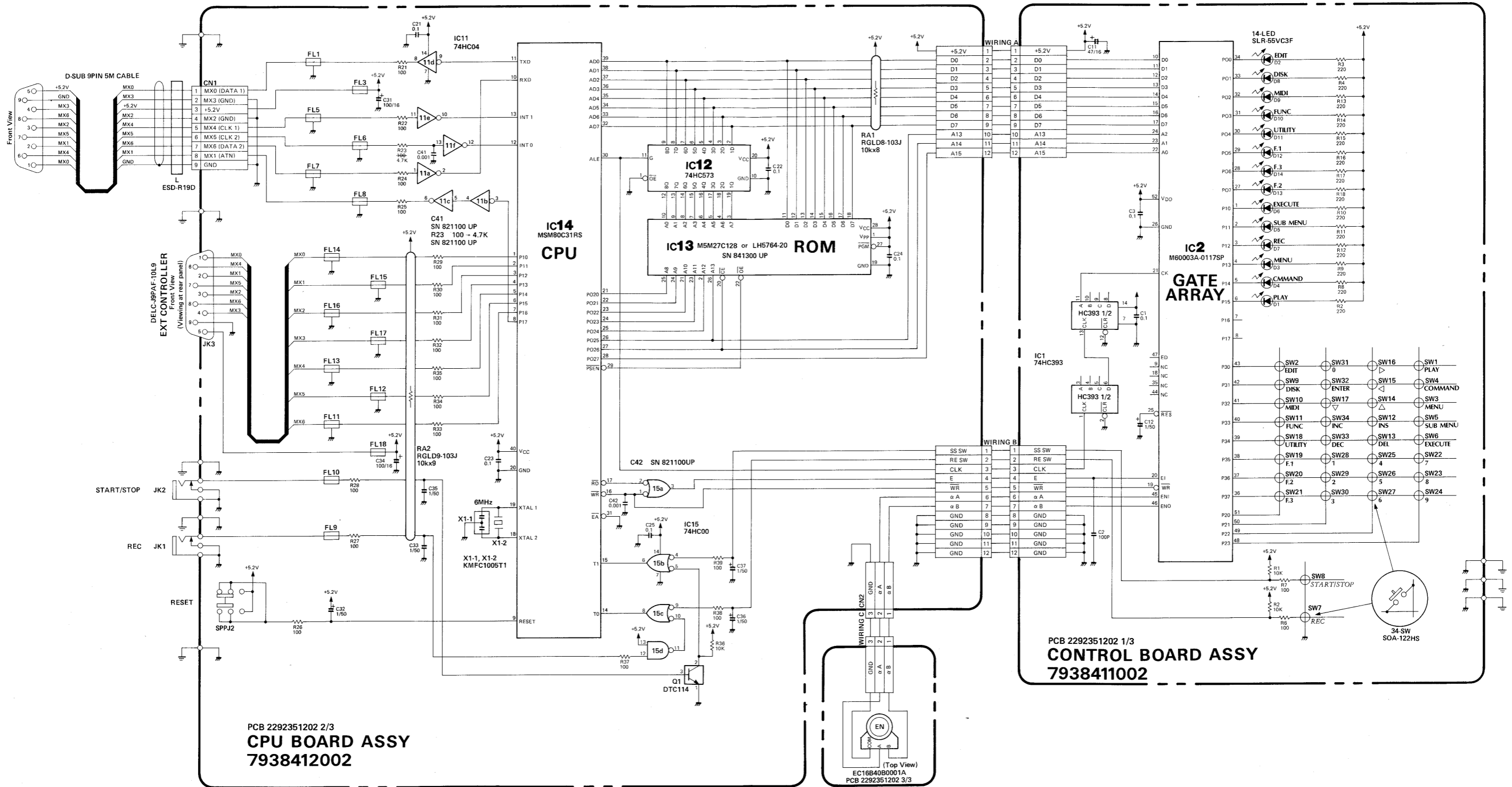
View from foil side



1 2 3 4 5 6 7 8 9 10 11 12 13 14 15 16 17 18 19 20 21 22 23 24 25 26 27 28 29 30 31 32 33 34 35 36 37 38 39

CIRCUIT DIAGRAM

A
B
C
D
E
F
G
H
I
J
K
L
M
N
O
P
Q
R
S
T
U



CHANGE INFORMATION**PROM IC13 CPU Board**

From EP-ROM M5M27C128-2 to compatible One Time P-ROM (OTP-ROM) LH5764-20.

Eff. SN841300

Replacement: OTP-ROM LH5764-20 (PN 15179855) only.

Data Line Filter

From ESD-R-25D to smaller size ESD-R-19D (compatible)

Eff. SN841300

Replacement: ESD-R-19D (PN 12449299) only.

C41, C42 and R23 CPU Board

Add two 0.001 μ F capacitors and increase R23 to 4.7k Ω to prevent accumulation of statics, which causes the CPU to go hangup.

Note that the CPU can escape hangup status when RESET switch is pressed.

Eff. SN821100

変更案内

EP-ROM CPU BOARD IC13 M5M27C128-2を
ONE TIME P-ROM LH5764-20に変更

実施製番 SN841300

サービスパーツはOTP-ROM LH5764 (PART No. 15179855)を支給します。

データラインフィルタを小型のものに変更

ESD-R-25D→ESD-R-19D(互換性有り)

実施製番 SN841300

サービスパーツはESD-R-19D(PART No. 12449299)を支給します。

CPU BOARD C41, C42(0.001 μ F)追加, R23(100 Ω)を4.7k Ω に変更

理由 静電気対策

静電気によりCPUが誤動作し、パネルのSWの入力を一切受け付けなくなる、これを防止するため。

(但し、RESET SW を押すことにより、上記症状は取り除かれ正常にもどります)

実施製番 SN82110