

# RD-100

## DIGITAL PIANO

### SERVICE NOTES

*First Edition*

**Issued by RES**

#### TABLE OF CONTENTS

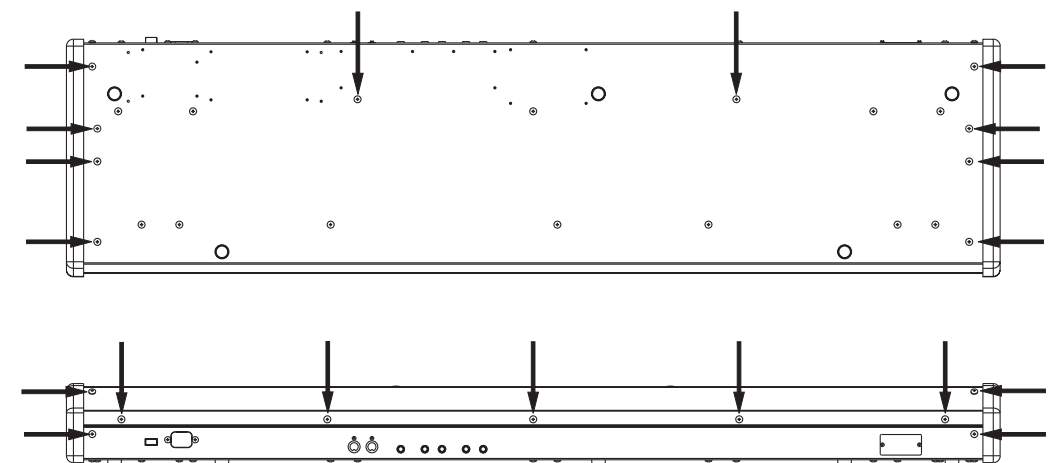
	Page
SPECIFICATIONS	1
LOCATION OF CONTROLS	2
EXPLODED VIEW	3
KEYBOARD PARTS LIST	4
PARTS LIST	5/6
BLOCK DIAGRAM	7
MAIN PCB ASSY	8
CIRCUIT DIAGRAM MAIN PCB ASSY	9
PRIMARY PCB ASSY & CIRCUIT DIAGRAM	10
CONTROL PCB ASSY	10
CIRCUIT DIAGRAM CONTROL PCB ASSY	11
JACK PCB ASSY	12
CIRCUIT DIAGRAM JACK PCB ASSY	13
RIGHT CONTACT PCB ASSY w/RUBBER CONTACT & CIRCUIT DIAGRAM	14
LEFT CONTACT PCB ASSY w/RUBBER CONTACT & CIRCUIT DIAGRAM	14
TEST MODE	15/16

#### Specifications

- Keyboard** ..... 88 keys
- Keyboard action** ..... Hammer Action mechanism
- Sound Source** ..... 64 voices polyphonic
- Tones** ..... Piano1, Piano2, Harpsichord, Vibraphone, El. Piano1, El. Piano2, Pipe Organ, Strings, Honky Tonk\* (\*in Dual mode)
- Display** ..... 7-segment LED / 3 characters
- Digital effects** ..... Chorus (7 types), Reverb (7 types)
- Tuning** ..... Equal Temperament, Pythagorean, Just (Major/minor), Mean Tone, Werckmeister, Kirnberger.
- Stretch Tuning** ..... Two types
- Key Touch** ..... 3 levels (Light/Medium/Heavy)
- Key Transpose** ..... -6~+5 semitones (Keyboard entry/button Entry)
- Sequencer** ..... 2 Tracks (with Track Muting Function) Approx. 5.000 notes
- Metronome** ..... 0/4, 2/4, 3/4, 4/4, 5/4, 6/4, 7/4, 3/8, 6/8, 9/8, 12/8, adjustable volume (7 levels), adjustable tempo =20~250
- Jacks** ..... Headphone Jack x 2 (stereo), Output Jacks (stereo/mono), MIDI Connectors (In/Out), Pedal jack
- Pedals** ..... Damper (Soft via special break-out cable, PEDAL jack is stereo)
- Finish** ..... Black stage look.
- Power Consumption** ..... 8W (100V), 8W (117V), 8W (230V, 240V),
- Dimensions** ..... 1360 x 121 x 346 mm
- Net Weight** ..... 24.0 kg
- Accessories** ..... See page 6
- Options** ..... Music rest, MSC series MIDI cables, KC series keyboard amplifiers, RH series headphones, ..... KS series keyboard stand

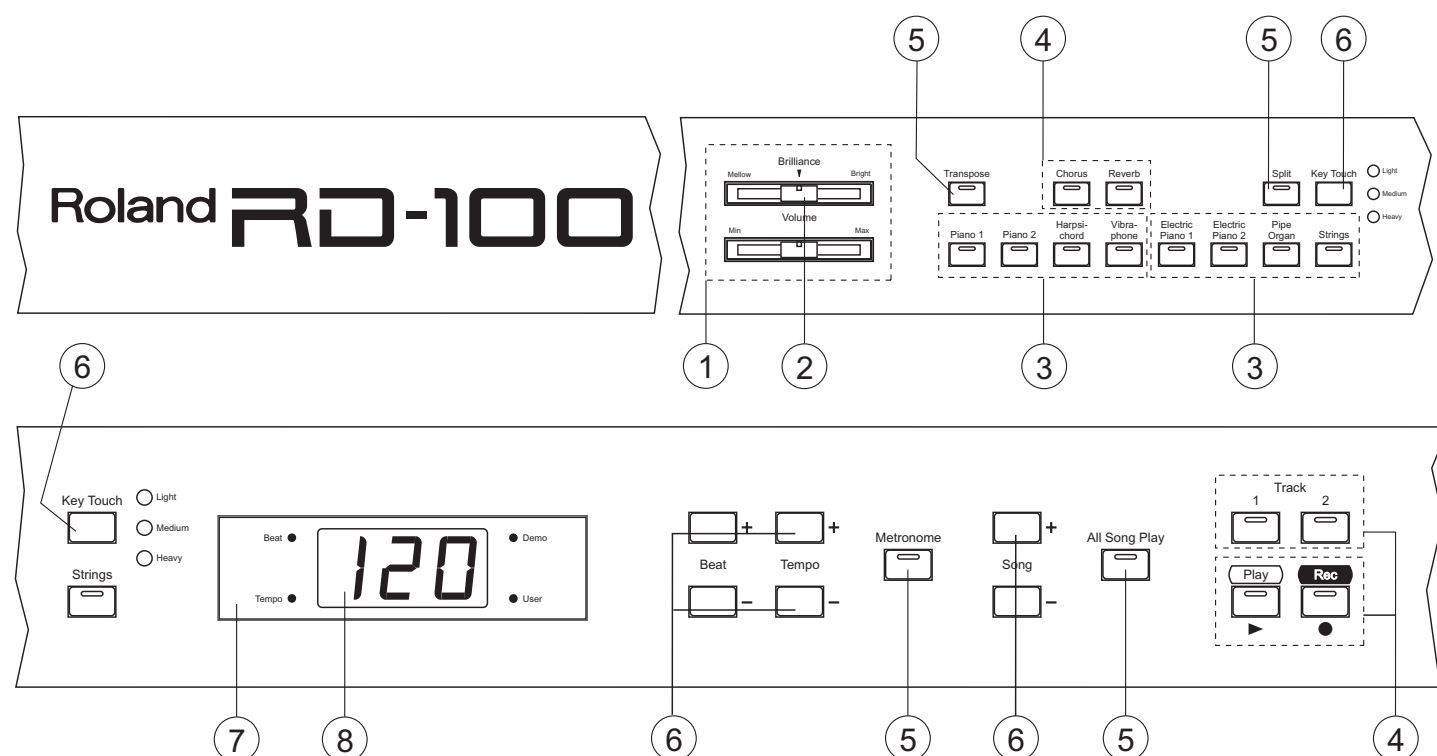


#### DISASSEMBLY

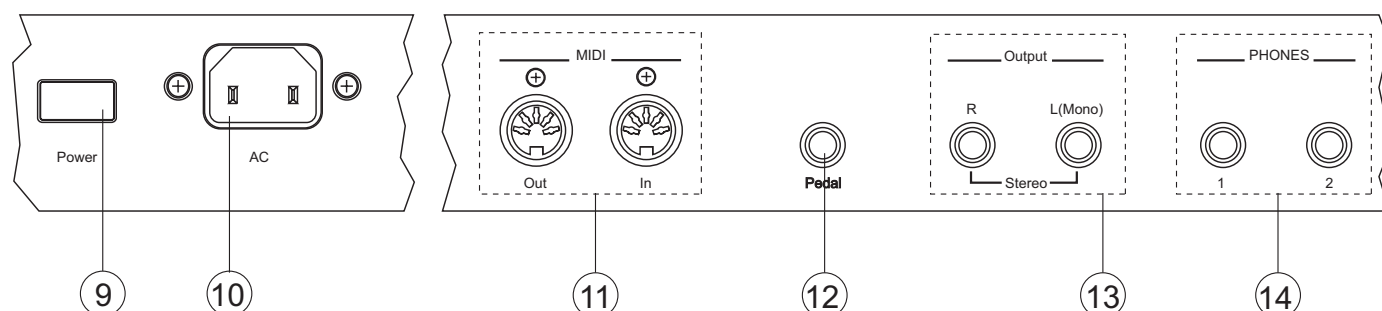


SELFLOCK SCREW M4X10 TCTC TFR 9,5 COD. J2289221

## LOCATION OF CONTROLS



## REAR VIEW



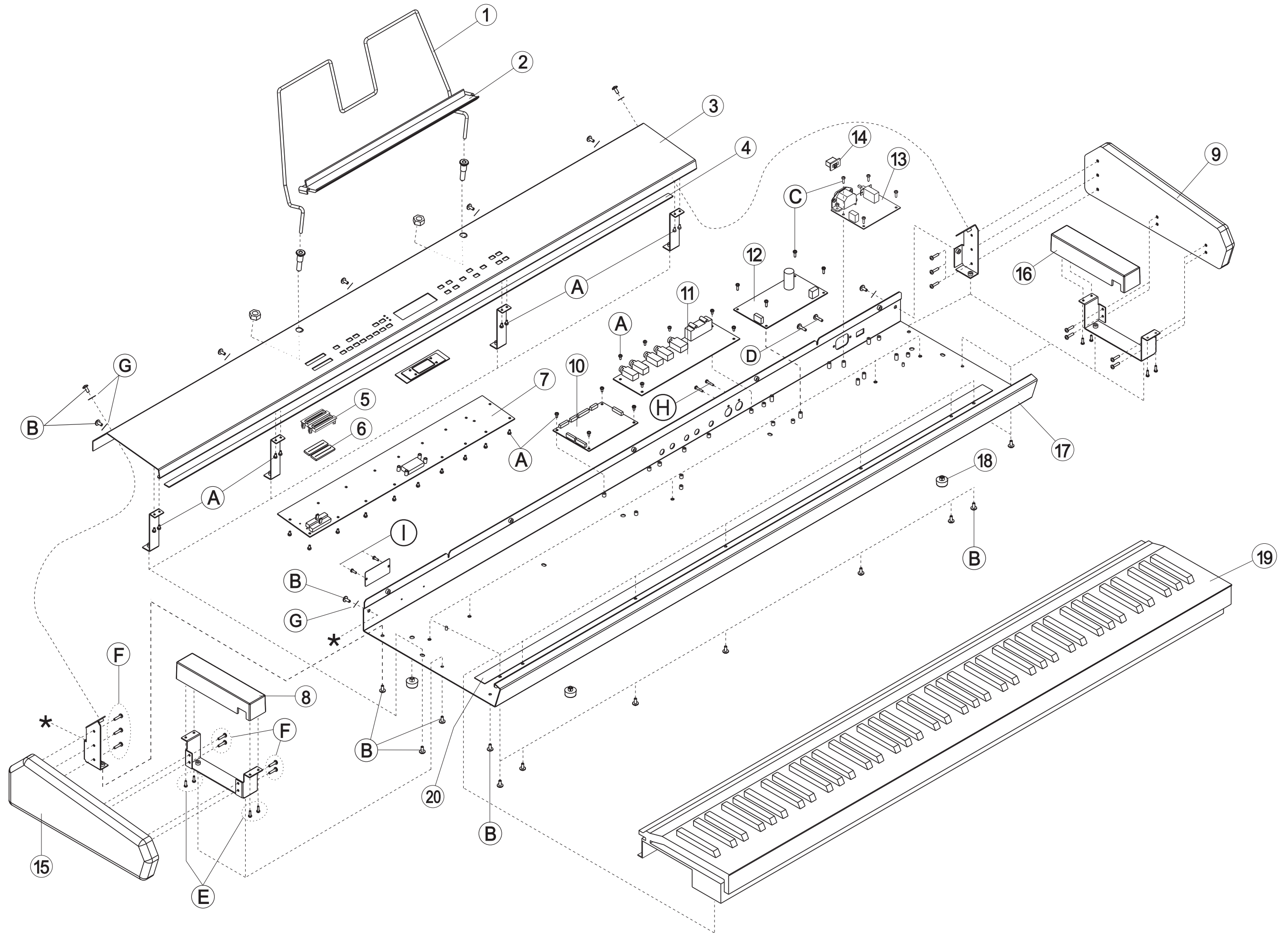
## PART LIST

No.	Part No.	Description
1	00671556	Slider Pot NNK-X10-B14
2	22485192	Black Knob W/White Indicator
3	00900178	4-Button Group W/Diff. (Black)
4	00900156	Double Button+Diff.(Black)
5	0900145	Single Button+Diff.(Black)
6	00900189	Black Single Button
7	00239767	Red Display Type LB-603VF
8	7700905000	Silkscreened Plexiglass
9	13129160	Power Switch SDDL B1 TV-5
10	J3449103	Universal AC INLET On PCB
11	13429825	5P DIN Socket 2pz YKF51-5054
12	13449258	Jack (Stereo) HLJ4306-01-3080
13	13449125	Jack (Mono) HLJ0520-01-110
14	13449126	Jack (Mono) HLJ0520-01-010

## PARTS LIST OF EXPLODED VIEW

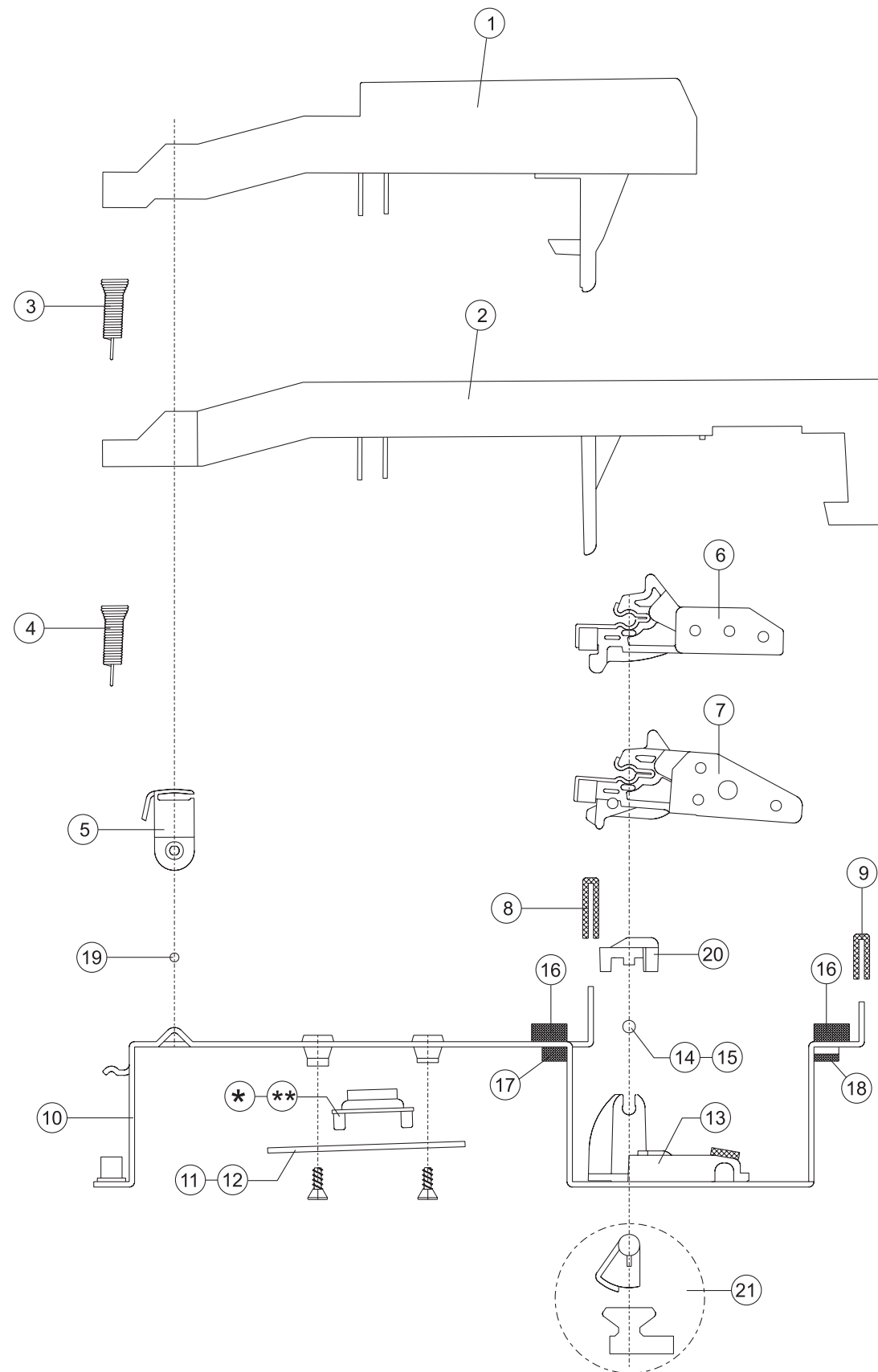
No	PART NAMES	PART NUMBERS
1	MUSIC REST	K2198103
2	MUSIC SCORE HOLDER	22208320
3	VARN.+SILK. TOP CABINET	7700904000
4	RED FELT 1250x12x1,5 mm	K2268121
5	GUIDE F/POT. COVER	32225353
6	ANTIDUST COVER PL30N	K2248129
7	PCB CONTROL	7699401000
8	RIGHT END-BLOCK	K1168105
9	BORED RIGHT SIDE PANEL	7700909000
10	MAIN BOARD ASSY	7700903000
11	JACK SOCKET ASSY	7700902000
12	SWITC. POWER SUPPLY SWM18N	K2458138
13	PRIMARY ASSY	7700908000
14	POWER SWITCH KNOB (BLACK)	K2478258
15	BORED LEFT SIDE PANEL	7700910000
16	RIGHT END-BLOCK	K1168105
17	VARN+SILK.BOTTOM CABINET	7700906000
18	PRESSURE RUBBER SFF-018	J2359105
19	88-KEY KEYBOARD ASSY TP/10 MDF	7699905000
20	BLACK ADHESIVE FELT 25x1x1240 mm	K2268148
<b>SCREW</b>		
A	SCREW M3x6	J2289193
B	SCREW M4x10	J2289221
C	SCREW M3x10	J2289108
D	SCREW 3,9x16	J2289213
E	SCREW 2,9x10 TCTCPR TROP	J2289125
F	SCREW 3,5x16	J2289186
G	MYLAR WASHER E.D.8 I.D.9,5	J2139119
H	SELF TAP SCREW 2,9x16 TC TC	J2289202
I	SELF TAP SCREW 2,9x10 TC TC	J2289102

# EXPLODED VIEW



## KEYBOARD PARTS LIST


88 KEY TP10MDF KEYBOARD ASSY code : 7699905000



Ref	DESCRIPTION	N.	Code RJA
1	SHARP KEY TP/10MDF	36	J2579203
2	NATURAL KEY -C- TP/10MDF	7	J2579195
	NATURAL KEY -D- TP/10MDF	7	J2579196
	NATURAL KEY -E- TP/10MDF	7	J2579197
	NATURAL KEY -F- TP/10MDF	7	J2579198
	NATURAL KEY -G- TP/10MDF	7	J2579199
	NATURAL KEY -A- TP/10MDF	7	J2579200
	NATURAL KEY -B- TP/10MDF	8	J2579201
2a	NATURAL KEY -C- TP/10MDF	1	J2579202
2b	NATURAL KEY -A- TP/10MDF	1	J2579194
3	SPRING F/SHARP KEY TP/10MDF	36	J2179111
4	SPRING F/NATURAL KEY TP/10MDF	52	J2179110
5	ABS KEY FIXING	88	No service
6	HAMMER F/SHARP KEY	36	J2139123
7	HAMMER F/NATURAL KEY	52	J2139122
8	GUIDE BUSHING F/SHARP KEY	36	No service
9	GUIDE BUSHING F/NATURAL KEY	52	No service
10	KEYBOARD CHASSIS	1	No service
11	RIGHT CONTACT PCB ASSY W/RUBBER CONTACT	1	7698903000
12	LEFT CONTACT PCB ASSY W/RUBBER CONTACT	1	7698904000
*	12P RUBBER CONTACT	7	22185238
**	13P RUBBER CONTACT	1	22185239
13	CHASSIS F/12 HAMMERS	7	No service
	CHASSIS F/4 HAMMERS	1	No service
14	HAMMER BAR 4x664	1	No service
15	HAMMER BAR 4x557	1	No service
16	UPPER FELT END F/SHARP AND NATURAL KEY	2	No service
17	LOWER FELT END F/SHARP KEY	1	No service
18	LOWER RUBBER END F/NATURAL KEY FELT+FOAM	1	No service
19	BAR FOR KEY FIXING 1225xD2,5	1	No service
20	HAMMER BAR HOLDER	7	No service
21	HAMMER BAR HOLDER F/KEYBOARD ENDS	2	No service

# PARTS LIST RD-100 (117V/230V/230VE/240VA)

## SAFETY PRECAUTIONS :

The parts marked  have safety-related characteristics. Use only listed parts for replacement.

## CONSIDERATION ON PARTS ORDERING

When ordering any parts listed in the parts list, please specify the following items in the order sheet.

QTY	PART NUMBER	DESCRIPTION	MODEL NUMBER
Ex. 10	22575241	Sharp Key	C-20/50
15	2247017300	Knob (orange)	DAC-15D

Failure to completely fill the above items with correct number and description will result in delayed or even undelivered replacement.

### NOTE:

# The parts marked "#" are new (Initial Parts).

 The parts marked  have Safety - Related characteristics. Use only listed parts for replacement.

<< EMI >> Component for EMC.

**Note:** Replacement should be made on a unit basis. No replacements available for individual parts. Replacement only be a unit.

**MB** = MAIN PCB ASSY  
**CB** = CONTROL PCB ASSY  
**JB** = JACK PCB ASSY  
**PB** = PRIMARY PCB ASSY  
**RCB** = RIGHT CONTACT PCB ASSY W/RUBBER  
**LCB** = LEFT CONTACT PCB ASSY W/RUBBER


## CASING

#	7700904000	VARN.+SILKSCR. TOP CABINET	RD-100
#	7700906000	VARN.+SILKSCR. BOTTOM CABINET	RD-100
#	7700909000	RIGHT VARN. SIDE PANEL (MDF)	RD-100
#	7700910000	LEFT VARN. SIDE PANEL (MDF)	RD-100
	K1168105	RIGHT END-BLOCK	HP-136
#	7700905000	SILKSCR. PLEXIGLASS	RD-100

## KNOB BUTTON

K2478258	POWER SWITCH KNOB (BLACK)
00900156	2-BUTTON GROUP+DIFF(BLACK)SD2H
00900145	BUTTON W/DIFF. (BLACK) SD1H
00900178	4-BUTTON GROUP+DIFF(BLACK)SD4H
00900189	BUTTON SX1H (BLACK)
22485192	BLACK KNOB W/WHITE INDICATOR
32225353	GUIDE F/POT. COVER

## SWITCH

	1312975301	SWITCH	EVQ-QSB 05K GR.160	All on CB
	13129160	SWITCH	SDDL1-TV5	on PB

## JACK, SOCKET

13449125	JACK SOCKET	HLJ0520-01-110	JK1, JK2 on MB
13449126	JACK SOCKET	HLJ0520-01-010	JK5, JK6 on MB
13449258	JACK SOCKET	HLJ4306-01-3080	JK3 on MB
13429825	5P DIN SOCKET	YKF51-5054 (2PCS)	JK4 on MB

## DISPLAY UNIT

00239767	DISPLAY TYPE LB-603VF (RED)	LED20 on CB
----------	-----------------------------	-------------

## KEYBOARD ASSY

7699905000	88-KEY KEYBOARD ASSY TP/10 MDF
------------	--------------------------------


**NOTE :** For details, refer to KEYBOARD PARTS LIST (Page 4)

## POWER SUPPLY UNIT

<b>Note</b>	K2458138	SWITCHING POWER SUPPLY SWM18N
-------------	----------	-------------------------------

**Note :** Replacement SWITCHING P.S.SWM18N should be made on a unit basis. No replacements available for individual parts. Replacement only be a unit.

## PCB ASSY

	#	7700903000	MAIN PCB ASSY	RD-100
		7699401000	CONTROL PCB ASSY	HP-330E
#		7700902000	JACK PCB ASSY	RD-100
#		7700908000	PRIMARY PCB ASSY	RD-100
		7698903000	RIGHT CONTACT PCB ASSY W/RUBBER	
		7698904000	LEFT CONTACT PCB ASSY W/RUBBER	

## IC

00901867	I.C. HD6413003TF16	(CPU)	IC1 on MB
00897078	I.C. TC170C200AF-005	(CUSTOM IC)	IC2 on MB
K5258115	I.C. M5M44256BJ-70NS	FLAT DRAM	IC3, IC4 on MB
15199286	I.C. AN78L05M FLAT	(REGULATOR)	IC6 on MB
15289105	I.C. UPC 4570G	(OP AMP)	IC7, IC16 on MB
00129278	I.C. SSC1080 FOB	(CUSTOM IC)	IC9 on MB
J5259110	I.C. HM62256LFP-7T	FLAT SRAM	IC10, IC11 on MB
15249111	I.C. TC7WU04 F	FLAT CMOS	IC13 on MB

15249116	I.C. TC7W00F TE12L	CMOS	IC14 on MB
J5259112	I.C. PCM69AU	DAC (RED LINE)	IC15 on MB
#	7700907000	I.C. 28F400BV-B60	MASK ROM
#	01561101	I.C. ROM LHMN5 KYR	FLAT
15169547RI	I.C. 74 HC 08	DIP CMOS	IC2 on CB
15169550RI	I.C. 74 HC138	DIP CMOS	IC3 on CB
15189250	I.C. M5218 AL	(STANDING)	IC4 on CB
15189210	I.C. BA 5218F	(OP AMP)	IC1, IC6 on JB
15219183	I.C. M51953 AL	(STANDING)	IC2, IC3 on JB
15229718RI	I.C. 6N 137	PHOTO-COUP.	IC4 on JB
15269214	I.C. 74LS05 FLAT	TTL	IC5 on JB

## TRANSISTOR

15129136	TRANSISTOR	2SC-2878-A/B	Q7, Q8 on JB
15319101	TRANSISTOR	2SC-2412	Q1, Q2, Q4, Q5 on JB
15309101	TRANSISTOR	2SA-1037KR	Q3, Q6 on JB
15129164	TRANSISTOR	DTC-114ES	Q7 > Q14 on CB
15119163	TRANSISTOR	RN2227	Q15 > Q21 on CB

## DIODE

15019159RI	DIODE	1N-4148	on CB; on RCB; on LCB
15339105	DIODE	DAN-202K	D1 > D6 on JB
15339114	DIODE	RB420D T146	D1 on MB
J5029107	LED DIODE	3 SLR-37VR3F - RED	All on CB


## RESISTOR

J3919108	RESISTOR ARRAY	EXB-V8V-103-JV	RA12 > RA18 on MB
00126101	RESISTOR ARRAY	EXB-V8V-221-JV	RA7, RA8, RA9, RA10, RA11 on MB
00346690	RESISTOR ARRAY	RCE9A-682-JA	RA4, RA5, RA6 on MB
13819132RI	UNINFL.RES.	100 OHM 0.6W 5%	R1, R2, R43, R44, R46, R47 on JB
15399713	RESISTOR	1210 100 OHM 1/4 5%	RA4, RA5, RA6 on MB

## POTENTIOMETER

00671556	SLIDER POT.	NNK-X10-B14	VR1, VR2 on CB
----------	-------------	-------------	----------------

## CAPACITOR

15359774	POLYEST.COND.	0805 680P 5%	C12, C13 on MB
13649103J0	UNPOL.COND.	10U 16 P5	C1, C2, C25, C26 on JB
J3629103	ELECTRL.COND.	100U 25V P5	C3, C4, C17, C21, C22, C34, C35, C36 on JB
J3629147	ELECTR. COND.	220U 25V P.5	C33 on JB
J3629104	ELECTRL.COND.	10U 50V P5	C13 on JB
J3629150	ELECTR.COND.	47U 16V H.7	C1, C14, C15, C25, C26 on CB
	13529104RI	CAPACITOR	DE1310E472MVA-KH
00908012	CAPACITOR	0.22F 5.5V	C1 on PB
J5369103	ELECTR. COND.	100U 16V (SMD)	C38 on MB
J5369104	ELECTR. COND.	10U 16V (SMD)	C23 on MB
			C10, 11, 47, 50, 51, 54, 56, 70, 72, 78, 79, C85 on MB
J5369102	ELECTR.COND.	47U 16V (SMD)	C58, C59 on MB

## INDUCTOR, COIL, FILTER

<<EMI>>	12449370	NOISE SUP.	SBT-0160W	L1, 2, 4, 5, 6 on JB
<<EMI>>	12449326	NOISE SUP.	SBT-0460	L3, L7 on JB
<<EMI>>	12449380	NOISE SUP.	EXC-ELDR25V	L11 on JB
<<EMI>>	12449358	NOISE SUP.	FL5R200N PNT	L9, 10, 12, 13 on JB
<<EMI>>	12449392	NOISE SUP.	SNT-D30	L8, L14 on JB

## CRYSTAL, RESONATOR

00894034	QUARTZ	16,000 MHZ	MA-406	X2 on MB
00901912	QUARTZ	24,576 MHZ	MA-406	X1 on MB

## CONNECTOR

13369689RI	20P FEM. CONNECTOR	AMP 1.27	CN1, CN2 on MB / CN1 on RCB/CN1 on LCB
J3439113	7P MALE CONNECTOR	P 2.5 M	CN3 on JB
J3439120	4P MALE CONNECTOR	P.2 M	CN2 on RCB, CN2 on LCB
J3439122	8P MALE CONNECTOR	P.2 M	CN5 on CB, CN4 on JB
J3439125	5P MALE CONNECTOR	P.2 M	CN6 on MB /CN3 on CB
J3439141	10P MALE CONNECTOR	P.2 M	CN5, CN7 on MB / CN4 on CB, CN5 on JB
J3439148	7P MALE CONNECTOR	P.2 M	CN4 on MB / CN1 on JB
13439611RI	3P SCREW CLAMP	P10	CN1 on PB

## WIRING, CABLE

7698907000	4P CABLE ASSY	(6	2C P.2	From CN2 on RCB to CN2 on LCB
7700118000	5P CABLE ASSY	(44)	2C P.2	From CN6 on MB to CN3 on CB

7699408000	7P	CABLE ASSY	(38)	2C P.2	From CN4 on MB to CN1 on JB
7697239001	7P	CABLE ASSY	(16)	2C P 2.5 D/R	From CN2 on Switching B. to CN3 on JB
7700115000	8P	CABLE ASSY	(40)	2C P.2	From CN5 on CB to CN4 on JB
7699413000	10P	CABLE ASSY	(12)	2C P.2	From CN7 on MB to CN5 on JB
7699418000	10P	CABLE ASSY	(38)	2C P.2	From CN5 on MB to CN4 on JB
K3468178	20P	FLAT CABLE	(44)	2C/D	From CN2 on MB to CN1 on RCB
K3468185	20P	CABLE ASSY	(24)	2C	From CN1 on MB to CN1 on LCB

**AC INLET**

△ J3449103 UNIVERSAL AC INLET

**SCREW**

J2289102	SELF TAP.SCREW	2.9X10 TC TC
J2289108	SELF LOCK.SCREW	M3X10 TCTC H.6
J2289113	NUT	3MA H.3
J2289186	SCREW	3.5X16 TCPR TFR H.8 BRUN
J2289193	SELF LOCK.SCREW	M3X6 TC TC H.6
J2289202	SELF TAP.SCREW	2.9X16 C C
J2289213	SELF TAP.SCREW	3.9X16 TC TC
# J2289221	SELF LOCK.SCREW	M4X10 TC TC TFR 9.5
# J2289222	NUT	10MA TH.8

**PACKING**

# K2638211	RIGHT LDPE PROTECTION	RD-100
# K2638212	LEFT LDPE PROTECTION	RD-100
# K2638213	CENTRAL LDPE PROTECTION	RD-100
# K2638214	LDPE PROTECTION F/PEDAL	RD-100
K2678119	CARTENE ENVELOPE HD CM.170X56	
# K2618207	OUTER PACKING	RD-100

**MISCELLANEOUS**

J2139119	MYLAR WASHER E.D.8 I.D.4
K2168102	SPACER FOR LED H.2.8 D.E. 5.5
K2168109	SPACER FOR LED H.10 - D.E. 5.5
K2168112	LED SPACER H. 4.5 MAX 9 MM
J2359105	PRESSURE RUBBER SFF-018
K2268121	RED FELT MM 1250X12X1.5
K2248129	ANTIDUST COVER PL30N
K2268148	ADHESIVE BLACK FELT 25X1X1240
# K253810302	FUSE WARNING LABEL

**ACCESSORIES**

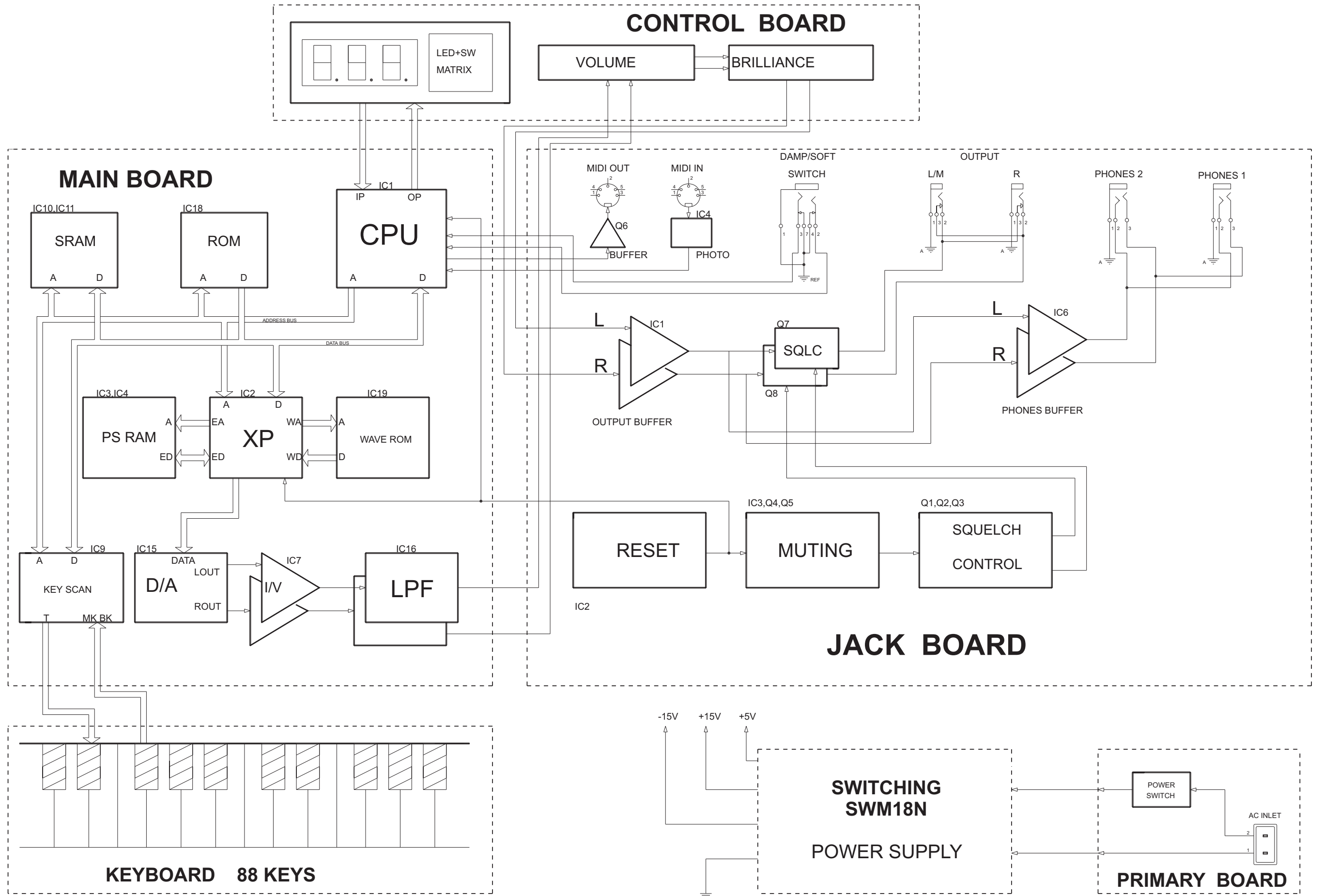
△ J3439150	MAINS CABLE H05VV+POL.SOCKET	(230V)
△ J3439128	CABLE 498/3SJT 2X18 AWG-C17	(117V)
△ 13499152RI	CABLE BS/13/H05VV-F3G0.75-V	(230VE)
△ J3439167	MAINS CABLE SAA/2-H05VV5 2X1-C17	(240VA)
# K6018342	O.MANUAL (E/D/F//SP/DUTCH)	RD-100
J3059103	PEDAL W/CABLE	

**Note :** Replacement should be made on a unit basis. No replacements available for individual parts.  
Replacement only be a unit.

1 2 3 4 5 6 7 8 9 10 11 12 13 14 15 16 17 18 19 20 21 22 23 24 25 26 27 28 29 30

A **BLOCK DIAGRAM**

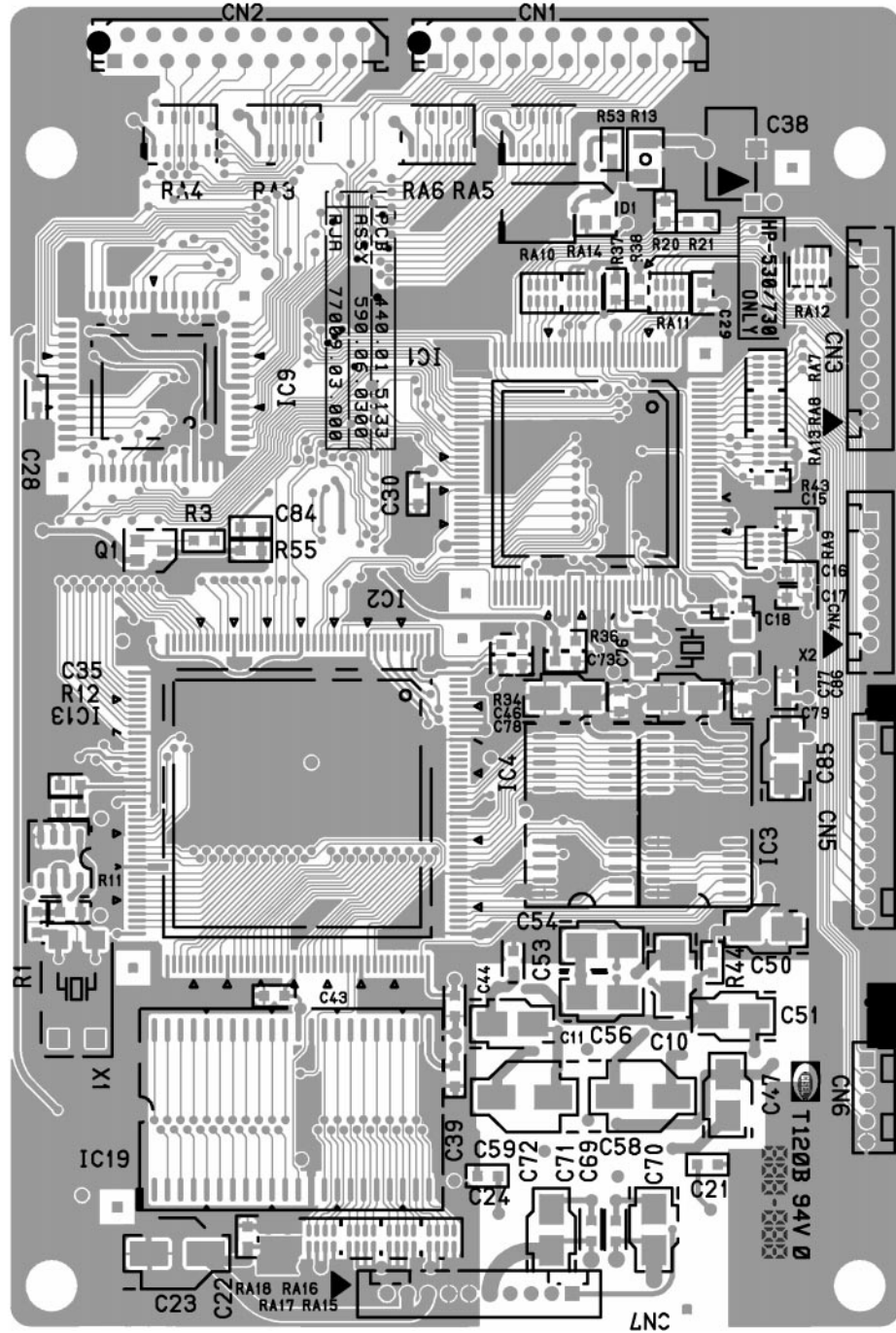
B  
C  
D  
E  
F  
G  
H  
I  
J  
K  
L  
M  
N  
O  
P  
Q  
R  
S  
T  
U



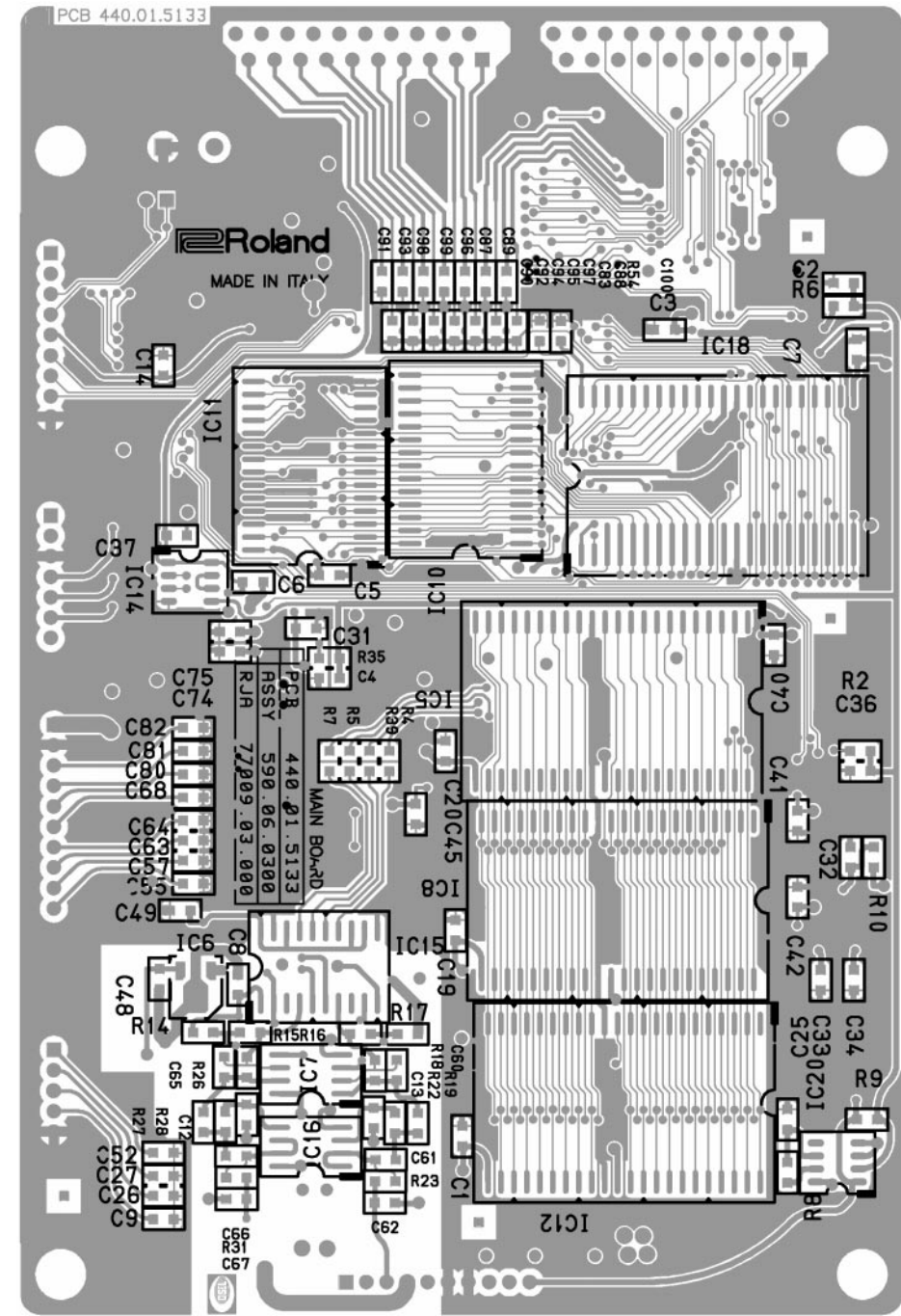
1 2 3 4 5 6 7 8 9 10 11 12 13 14 15 16 17 18 19 20 21 22 23 24 25 26 27 28 29 30

A  
B  
C  
D  
E  
F  
G  
H  
I  
J  
K  
L  
M  
N  
O  
P  
Q  
R  
S  
T  
U

**E MAIN PCB ASSY** ASSY 7700903000



View from component side



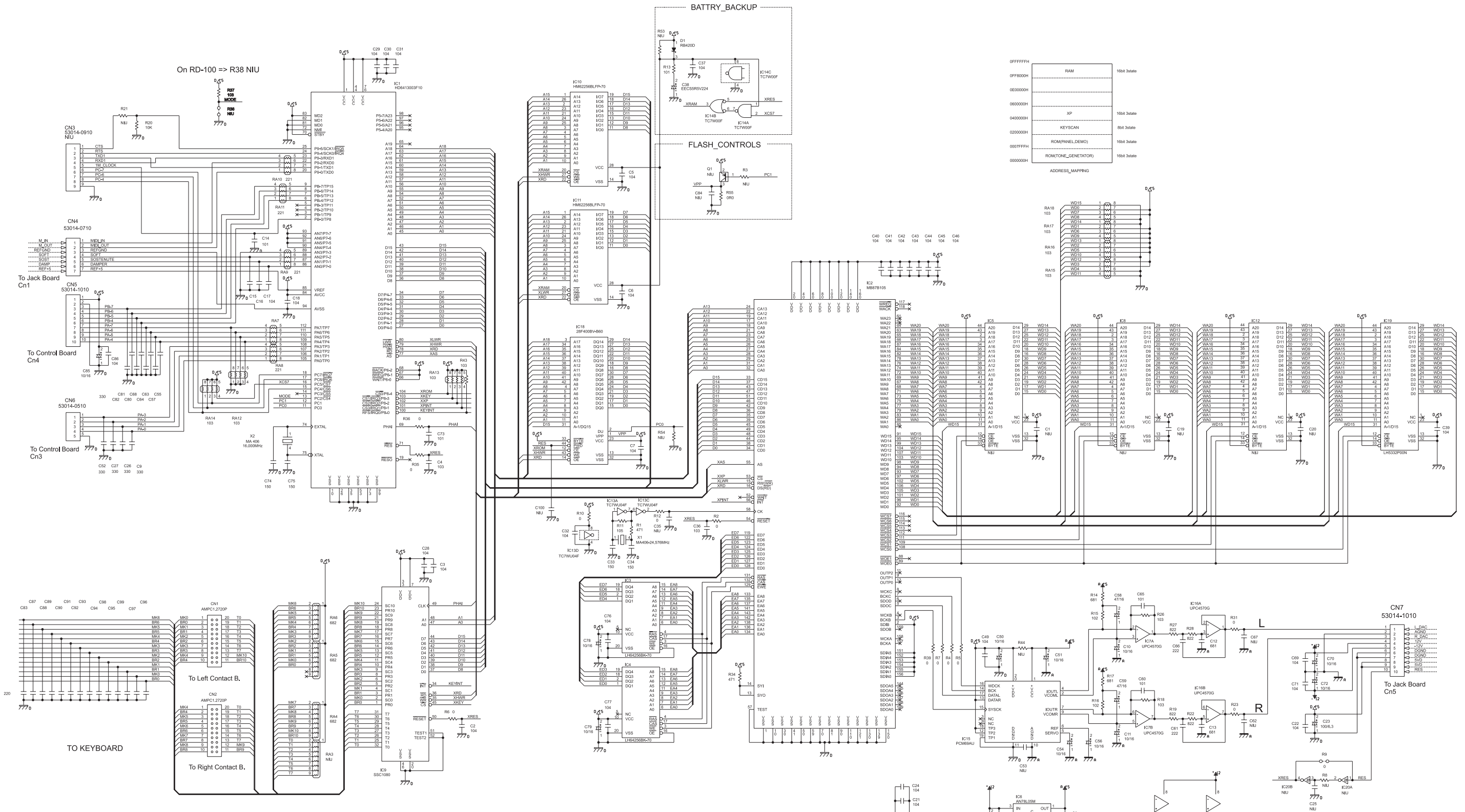
View from solder side



1 2 3 4 5 6 7 8 9 10 11 12 13 14 15 16 17 18 19 20 21 22 23 24 25 26 27 28 29 30

A  
B  
C  
D  
E  
F  
G  
H  
I  
J  
K  
L  
M  
N  
O  
P  
Q  
R  
S  
T  
U

# CIRCUIT DIAGRAM (MAIN PCB ASSY)



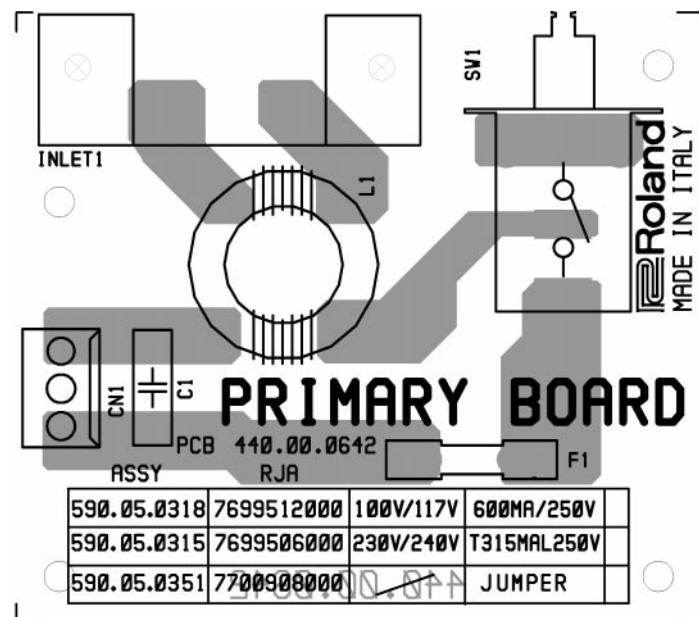
NIU means "Not In Use"

1 2 3 4 5 6 7 8 9 10 11 12 13 14 15 16 17 18 19 20 21 22 23 24 25 26 27 28 29 30

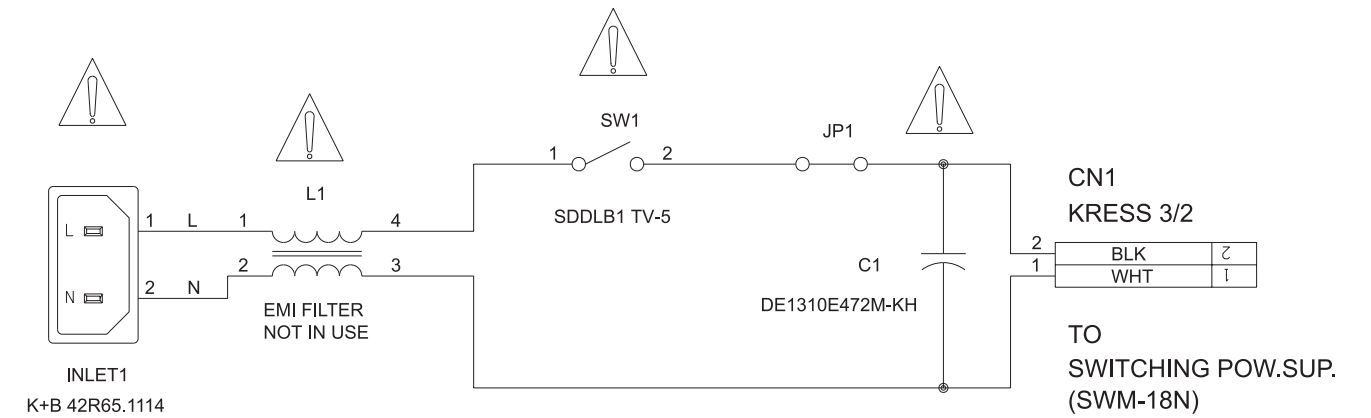
A  
B  
C  
D  
E  
F  
G  
H  
I  
J  
K  
L  
M  
N  
O  
P  
Q  
R  
S  
T  
U

**PRIMARY PCB ASSY & CIRCUIT DIAGRAM**

ASSY 7700908000

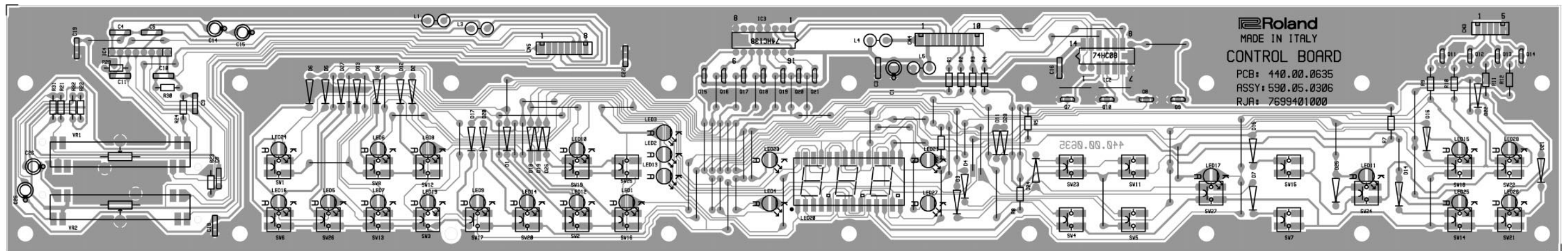


View from component side



**SAFETY PRECAUTIONS:**  
The parts marked have safety-related characteristics. Use only listed parts for replacement

**CONTROL PCB ASSY ASSY 7699401000**

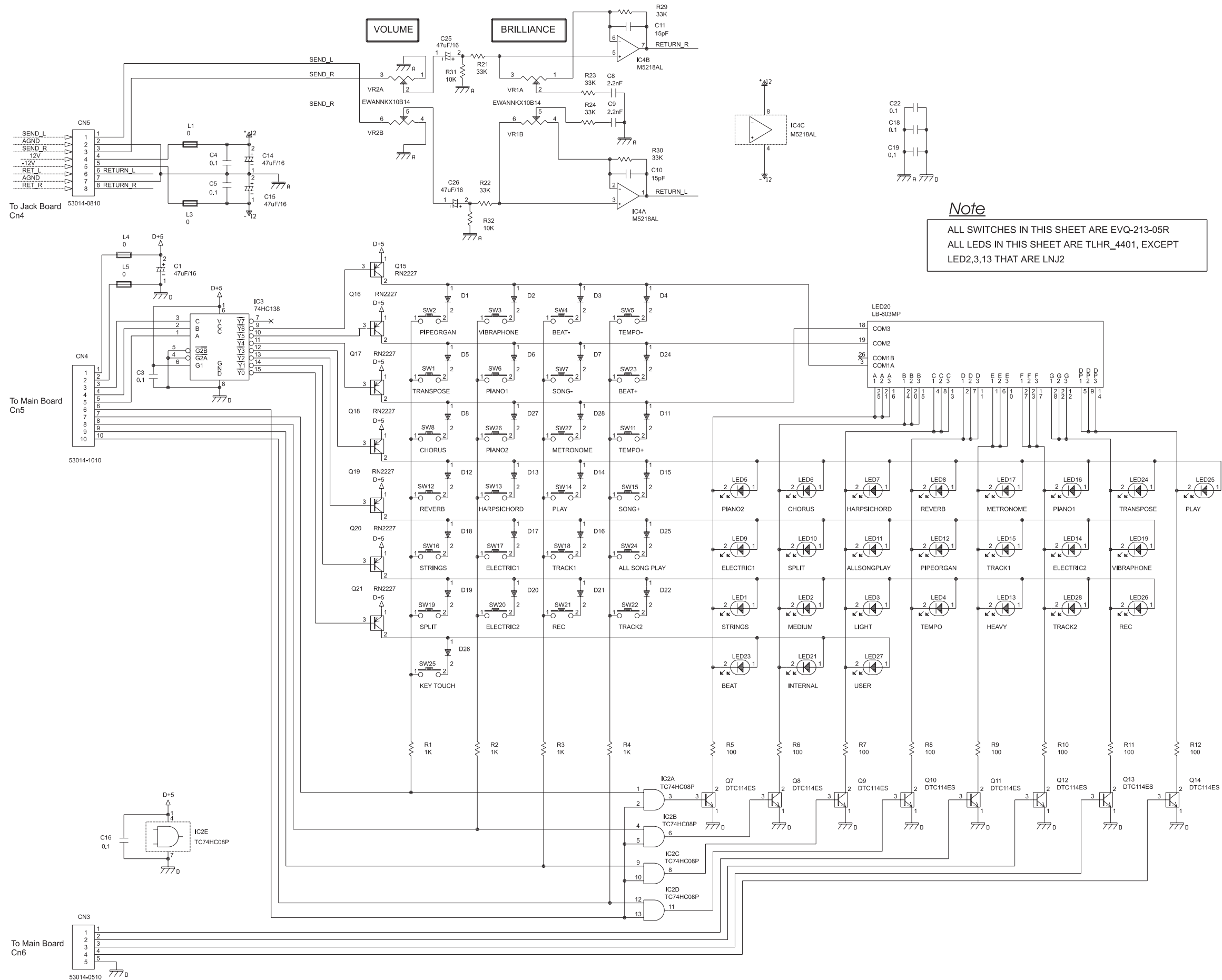


View from component side

1 2 3 4 5 6 7 8 9 10 11 12 13 14 15 16 17 18 19 20 21 22 23 24 25 26 27 28 29 30

A  
B  
C  
D  
E  
F  
G  
H  
I  
J  
K  
L  
M  
N  
O  
P  
Q  
R  
S  
T  
U

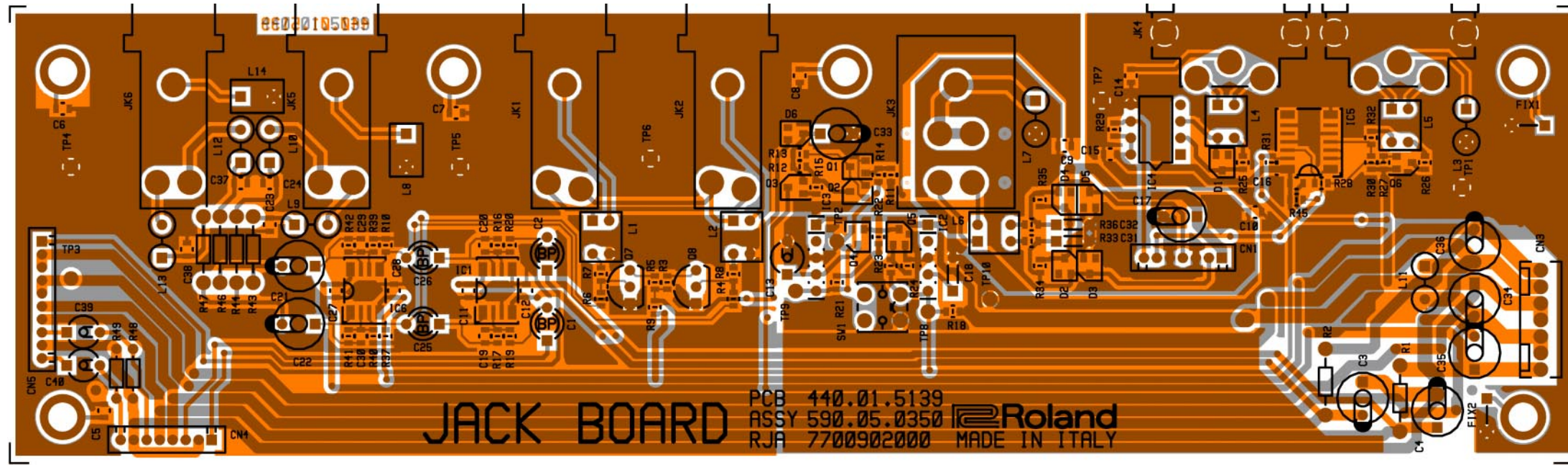
# CIRCUIT DIAGRAM (CONTROL PCB ASSY)



1 2 3 4 5 6 7 8 9 10 11 12 13 14 15 16 17 18 19 20 21 22 23 24 25 26 27 28 29 30

A  
B  
C  
D  
E  
F  
G  
H  
I  
J  
K  
L  
M  
N  
O  
P  
Q  
R  
S  
T  
U

**JACK PCB ASSY** ASSY 7700902000

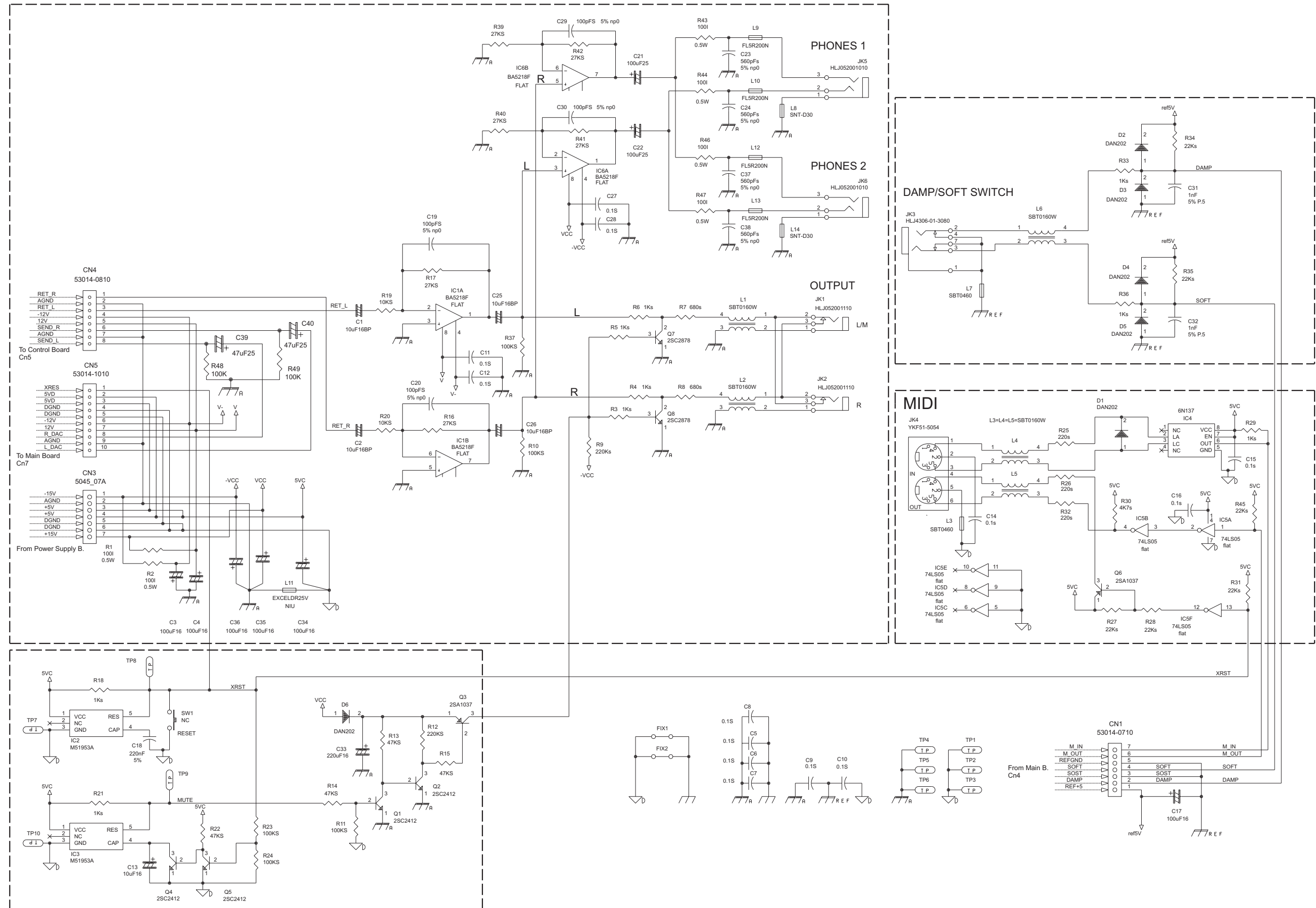


View from component side

1 2 3 4 5 6 7 8 9 10 11 12 13 14 15 16 17 18 19 20 21 22 23 24 25 26 27 28 29 30

A  
B  
C  
D  
E  
F  
G  
H  
I  
J  
K  
L  
M  
N  
O  
P  
Q  
R  
S  
T  
U

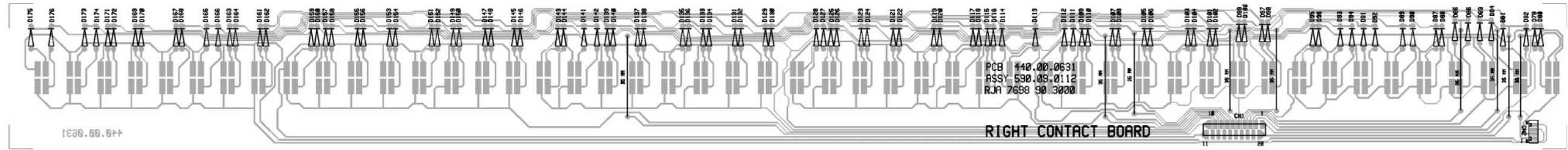
# CIRCUIT DIAGRAM (JACK PCB ASSY)



1 2 3 4 5 6 7 8 9 10 11 12 13 14 15 16 17 18 19 20 21 22 23 24 25 26 27 28 29 30

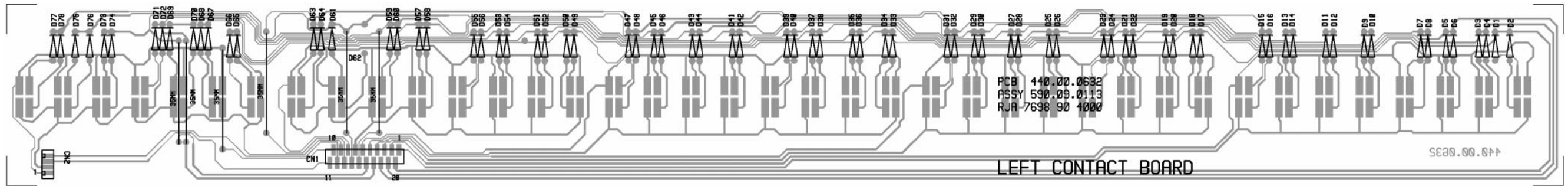
A  
B  
C  
D  
E  
F  
G  
H  
I  
J  
K  
L  
M  
N  
O  
P  
Q  
R  
S  
T  
U

**RIGHT CONTACT PCB ASSY w/RUBBER ASSY 7698903000**



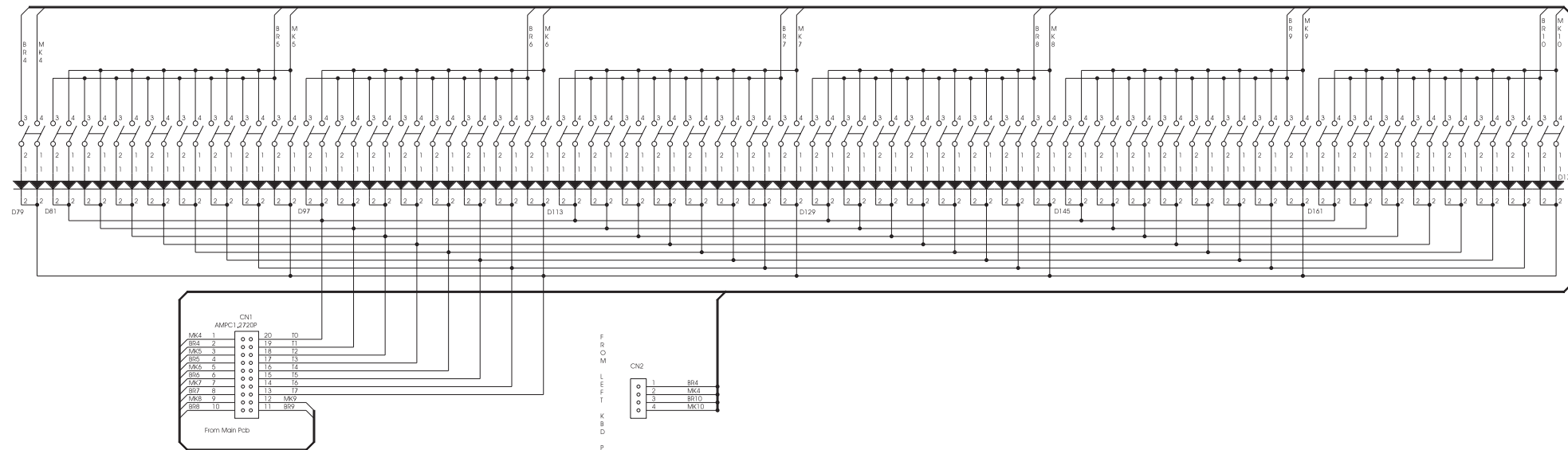
**LEFT CONTACT PCB ASSY w/RUBBER ASSY 7698904000**

View from component side

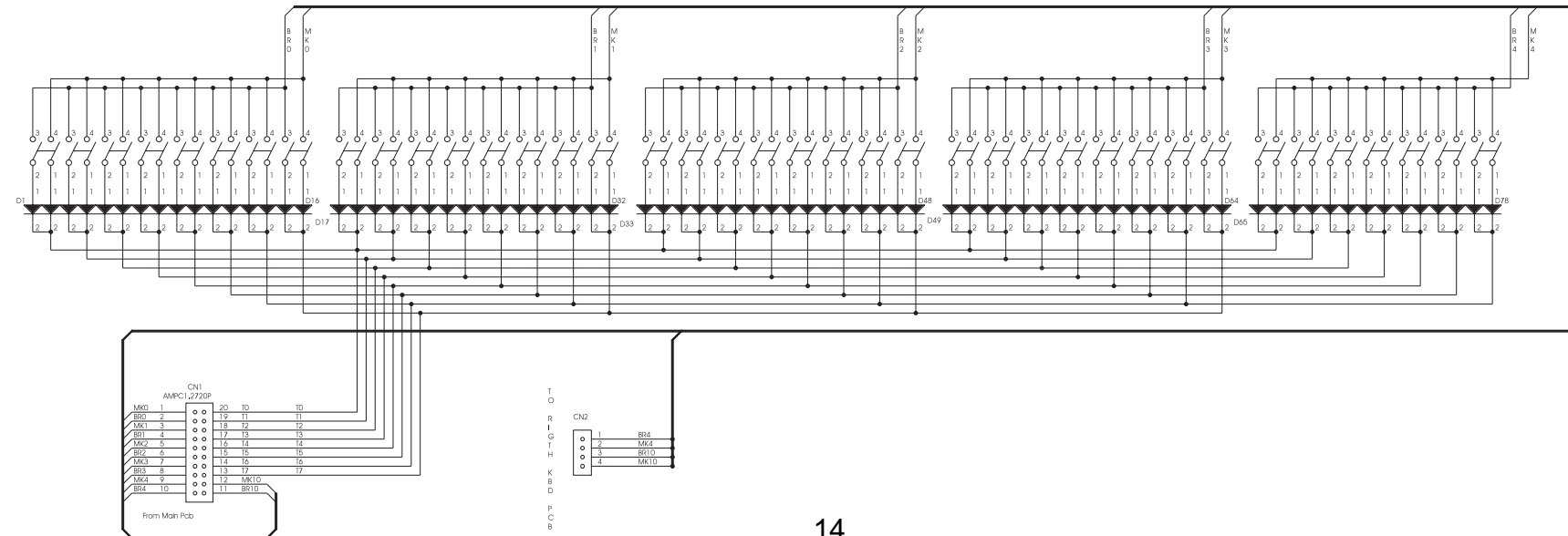


View from component side

**CIRCUIT DIAGRAM (RIGHT CONT.PCB ASSY)**



**CIRCUIT DIAGRAM (LEFT CONT.PCB ASSY)**



## TEST MODE

Necessary elements: Nr. 1 - Midi Cable  
Nr. 1 - 2-note Pedal

### How to enter the Test Mode:

After turning on the instrument, press the "Transpose", the "Play" and the "Track 2" buttons simultaneously. The 7-seg display will show:



RD-100 will automatically enter the Test Mode.

### 1 : How to display the DEVICE CHECK and the ROM VERSION.

After entering the Test Mode, the CPU automatically carries out the DEVICE CHECK. If there is no malfunction, the 7-seg LCD shows the ROM version:



In the event of a malfunction, one of the following messages is displayed:

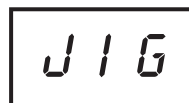


When a malfunction is found out, the LCD shows the ROM version if the "Piano 1" button is pressed.

### How to select the next check

Press the "Transpose" button and go on with the next step.

NOTE: Don't play on the keyboard while you're in Test Mode.  
If there is any malfunction, press the "Transpose" button more than once until the following message is displayed:



To start the testing procedure again, press the "Transpose" button.

## 2 : Button and LED check

Press the "Transpose" button and the 7-seg LCD will show:



All the LEDs on the control panel are lit; if you press any button, you'll hear a piano sound and the corresponding LED will alternatively turn off. When you press a button without LED, the following LED or 7-seg LED will correspondingly turn off as shown below:

Button		Corresponding Led
Key Touch	⇒	Light , Medium , Heavy
Beat +	⇒	Demo
Beat -	⇒	Beat
Tempo +	⇒	User
Tempo -	⇒	Tempo
Song +	⇒	Display
Song -	⇒	Display

Note: Unless this button check is performed on all buttons, you cannot proceed to the next stage.

## 3: Effect check

Press the "Transpose" button and the 7-seg LED display shows:



Some LEDs of the buttons on the control panel are flashing; if you press the following buttons, you'll hear the corresponding sounds indicated below:

Button		Sound signal
Piano 1	⇒	Direct sound of Piano 1
Piano 2	⇒	Chorus sound of Piano1
Harpsichord	⇒	Reverb sound of Piano 1
Vibrafono	⇒	Resonance sound of Piano 1
Electric Piano 1	⇒	Sine Wave from the left speaker
Electric Piano 2	⇒	Square Wave from the right speaker
Pipe Organ	⇒	Sine Wave from both speakers

**4 : A/D Check**

Press the "Transpose" button and the 7-seg display shows:



Press each of the following pedals. Their corresponding LEDs will turn on as shown below. A value (0~10) will appear on the 7-seg display and a sine wave sound will be heard. When the value shown is '0', no sound can be heard; when the value is "10" a bell sound will be heard.

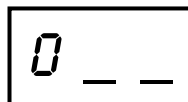
<b>Items for A/D check</b>		<b>LED</b>
Damper Pedal	⇒	Demo
Soft Pedal	⇒	Beat

**5 : MIDI check**

Press the "Transpose" button and the 7-seg display shows:



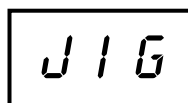
Hook up MIDI IN and MIDI OUT sockets via a MIDI cable and make sure that the 7-seg display shows:


**6 : How to finish or start the test again**

Press the "Transpose" button and the 7-seg display shows:



If you press this button again, you'll go back to the beginning of the Test Mode and the display will show:



To exit the Test Mode definitely, turn the instrument off and then on again.