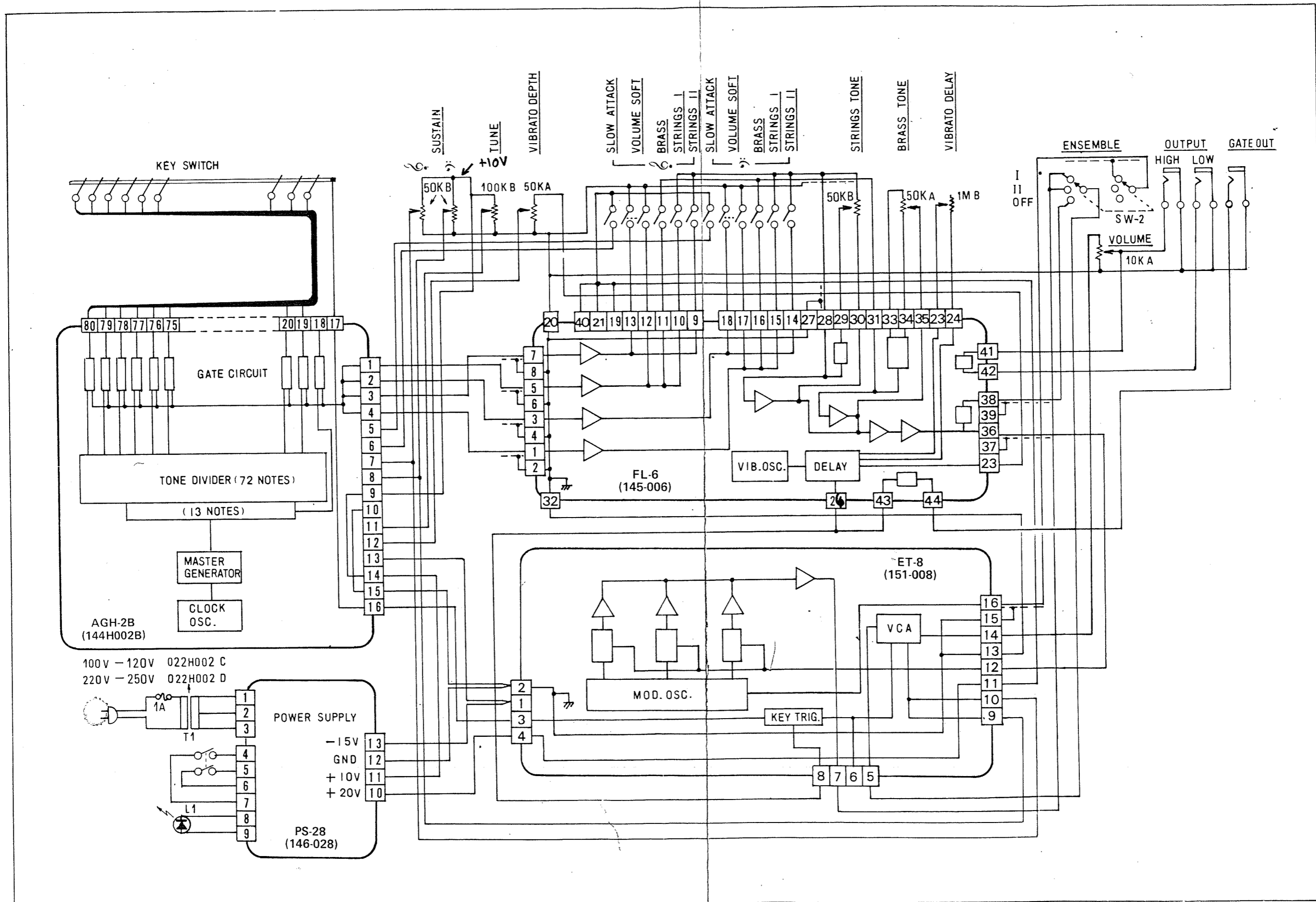
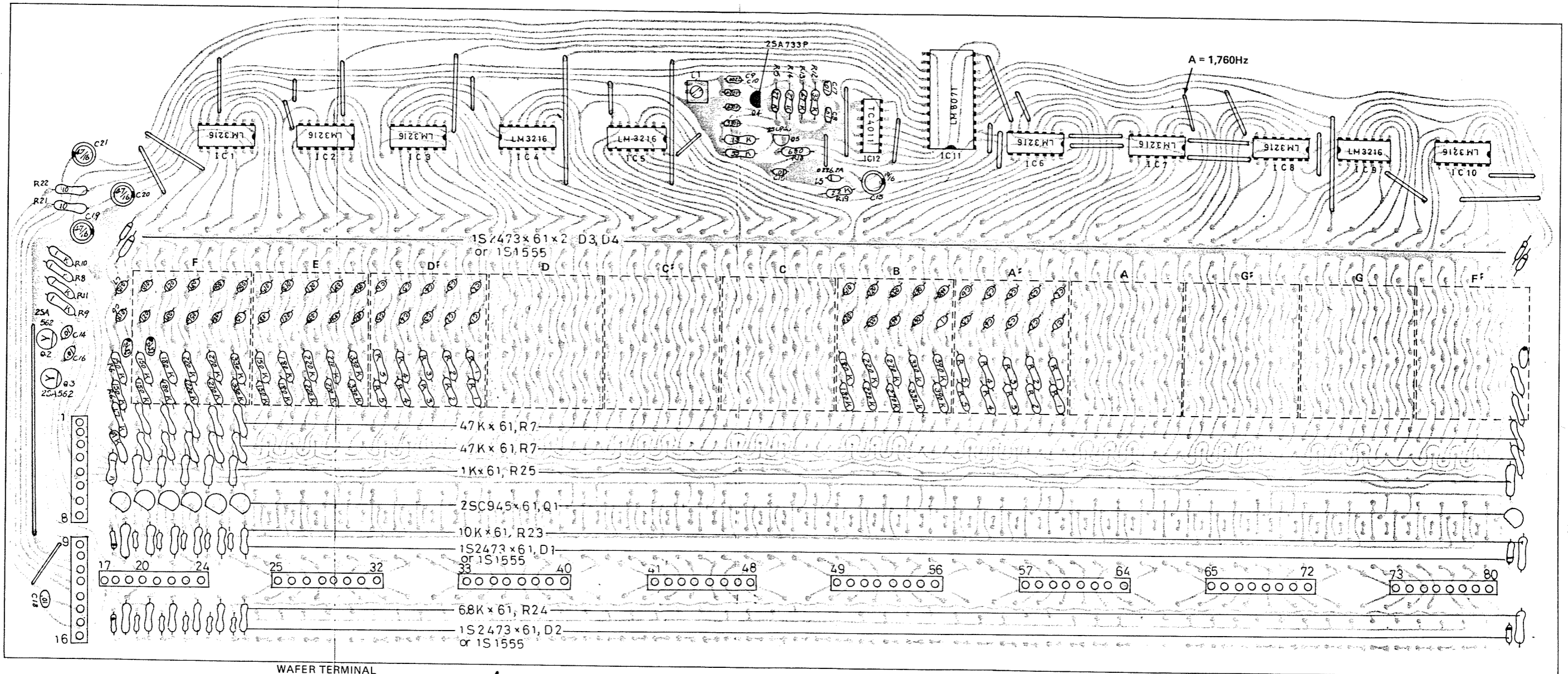


### 4. BLOCK DIAGRAM

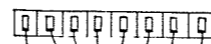


# 5. TONE GENERATOR AND GATE CIRCUIT (AGH-2B)

## PC BOARD, PARTS LAYOUT



WAFER TERMINAL  
(2461-8C)  
(010-038)

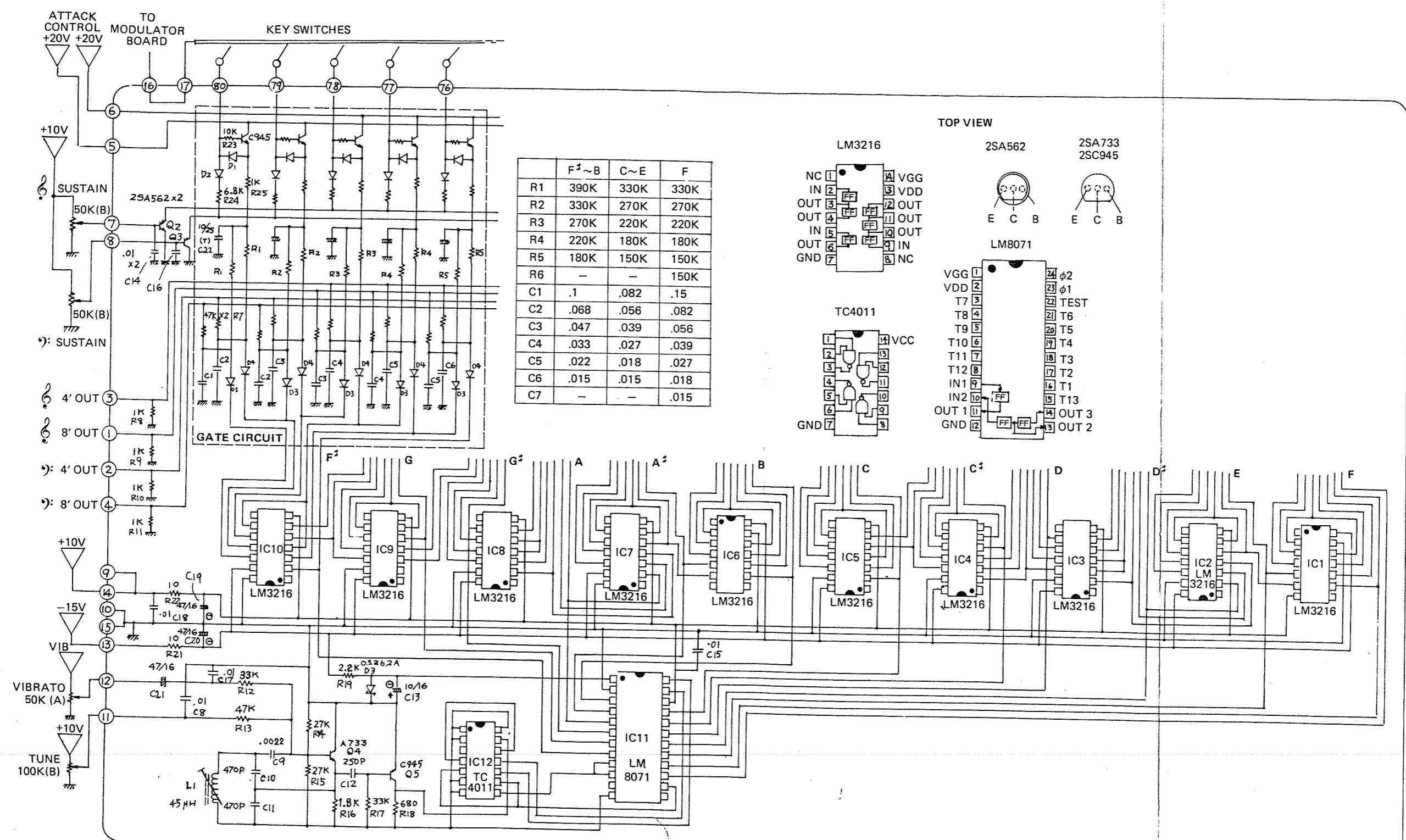


CONNECTOR HOUSING RECEPTACLE  
(2145-8A)  
(010-024)

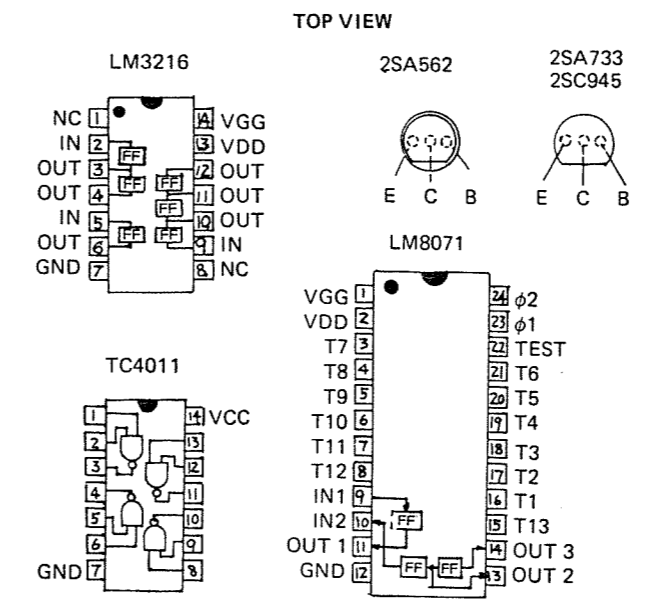
WAFER TERMINAL  
(2461-8C)  
(010-038)

F - BLUE  
F# - RED  
G - YELLOW  
G# - GREEN

CIRCUIT DIAGRAM

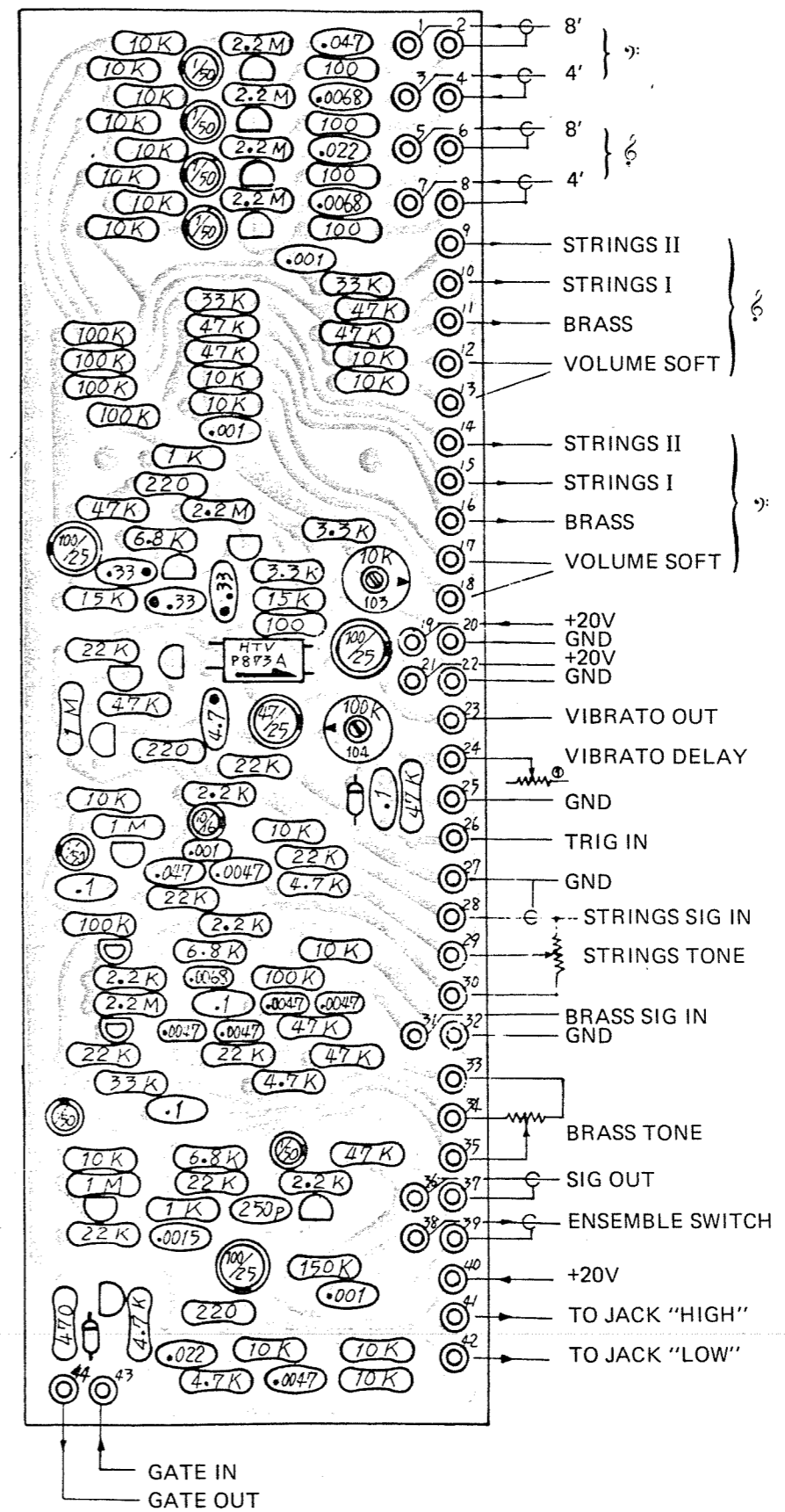
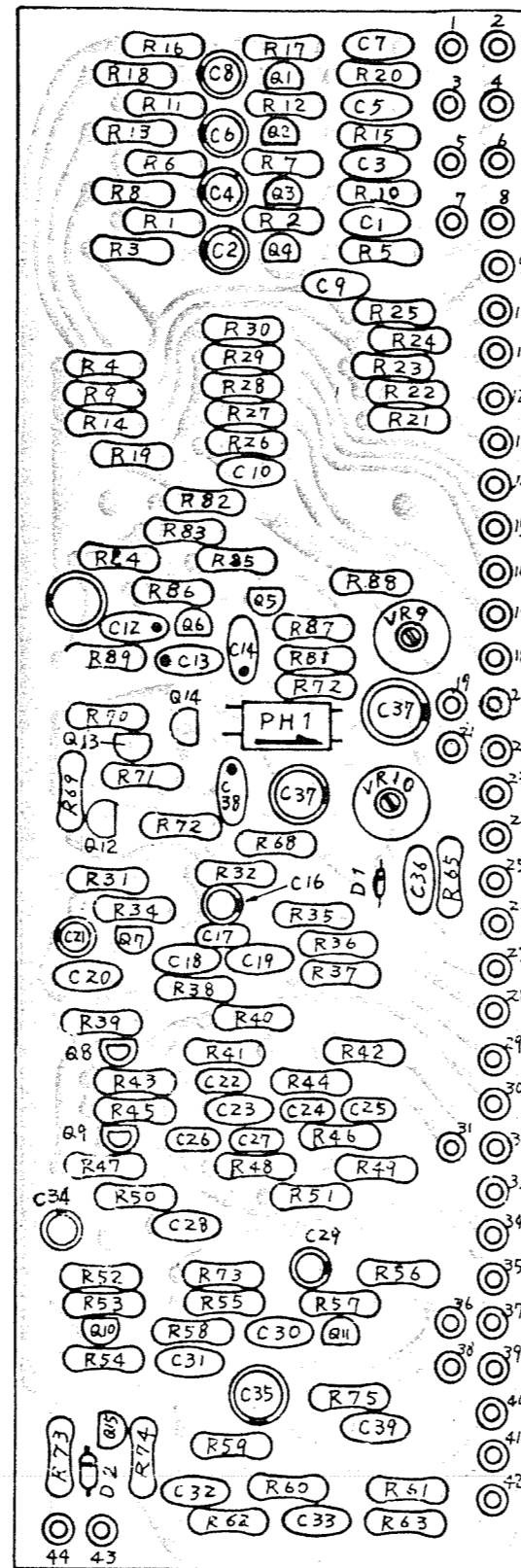


	F <sup>♯</sup> ~B	C~E	F
R1	390K	330K	330K
R2	330K	270K	270K
R3	270K	220K	220K
R4	220K	180K	180K
R5	180K	150K	150K
R6	-	-	150K
C1	.1	.082	.15
C2	.068	.056	.082
C3	.047	.039	.056
C4	.033	.027	.039
C5	.022	.018	.027
C6	.015	.015	.018
C7	-	-	.015

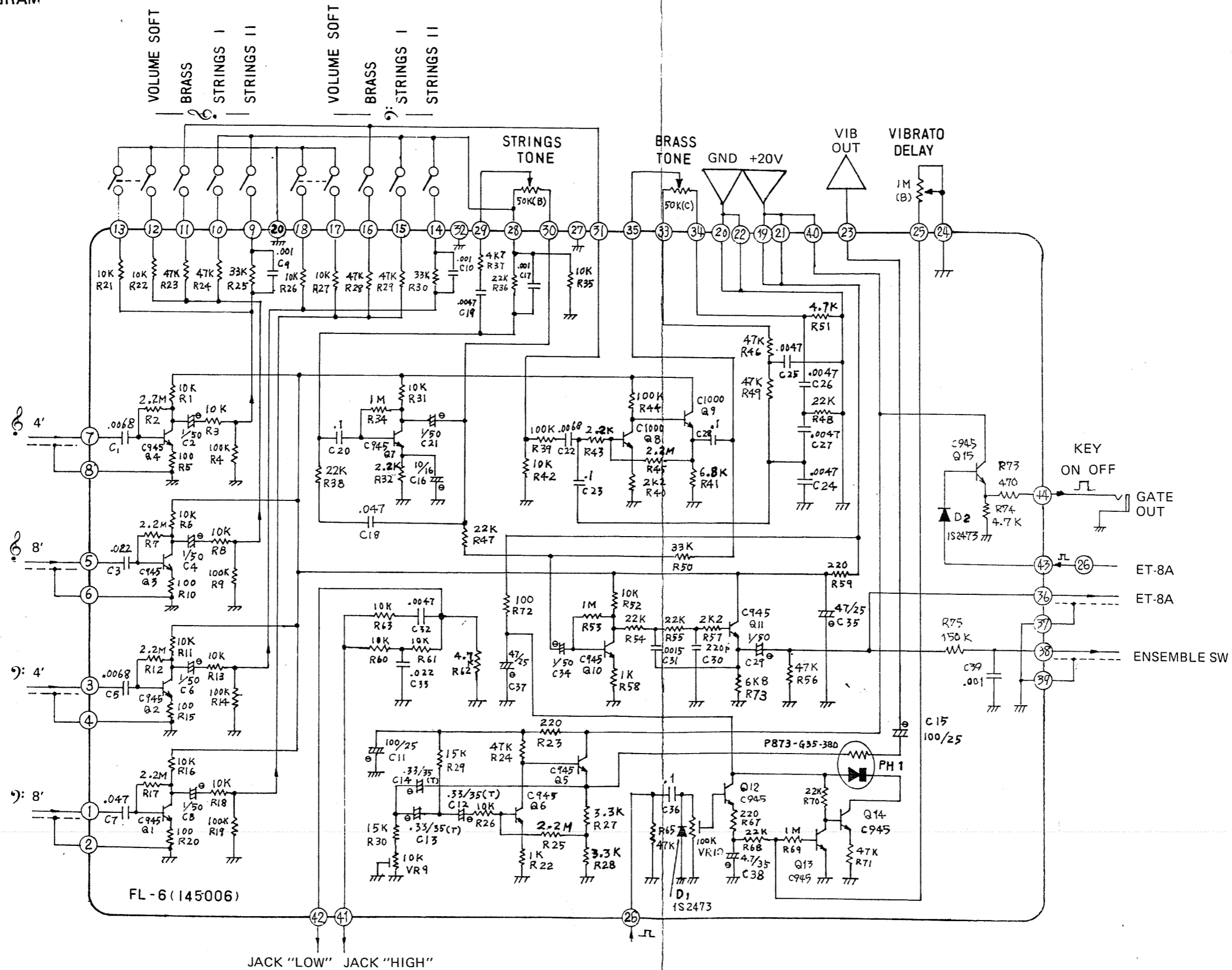


### 6. TONE CONTROL AND FILTER (FL-6A)

#### PC BOARD, PARTS LAYOUT



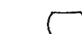





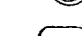

CIRCUIT DIAGRAM

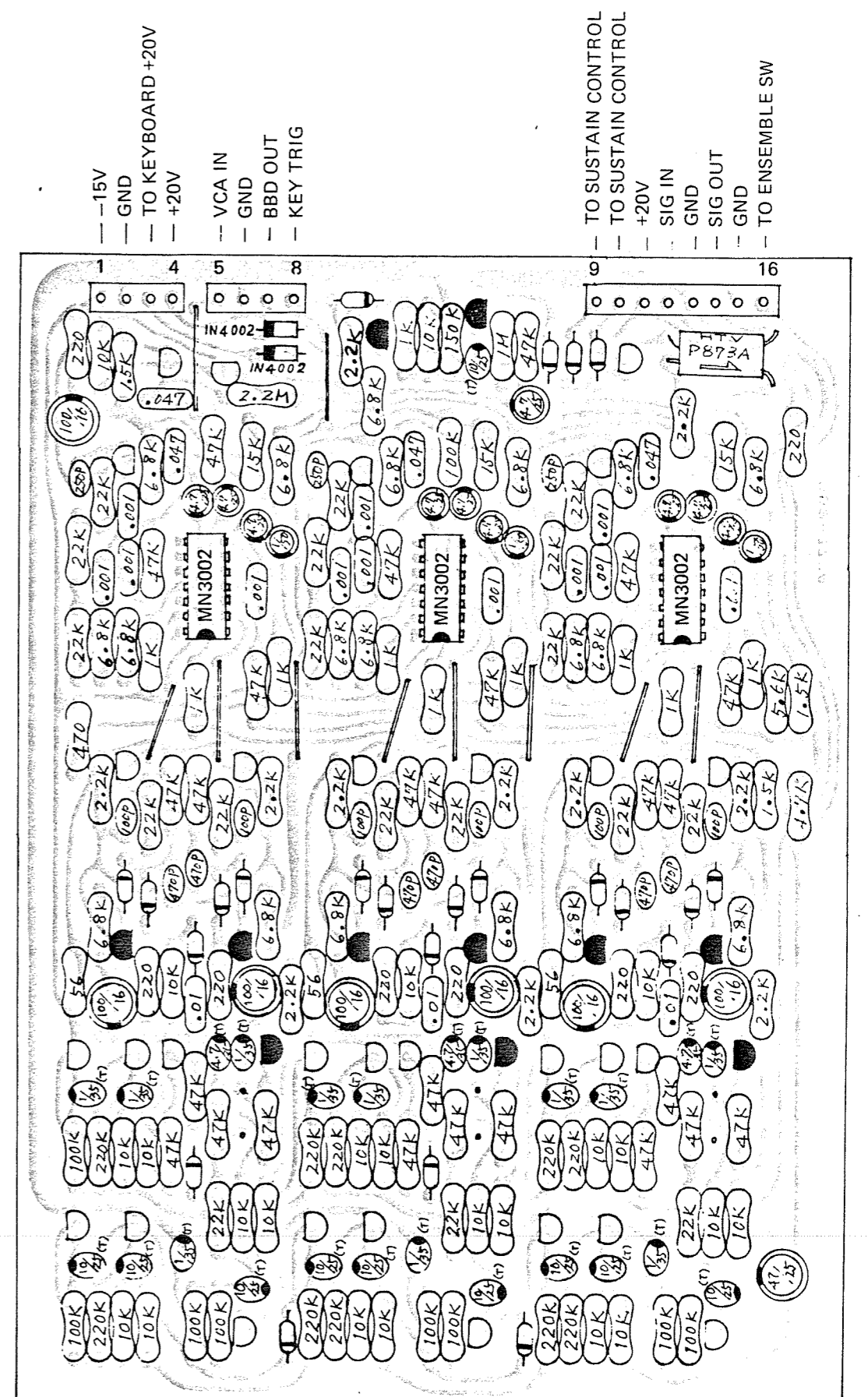
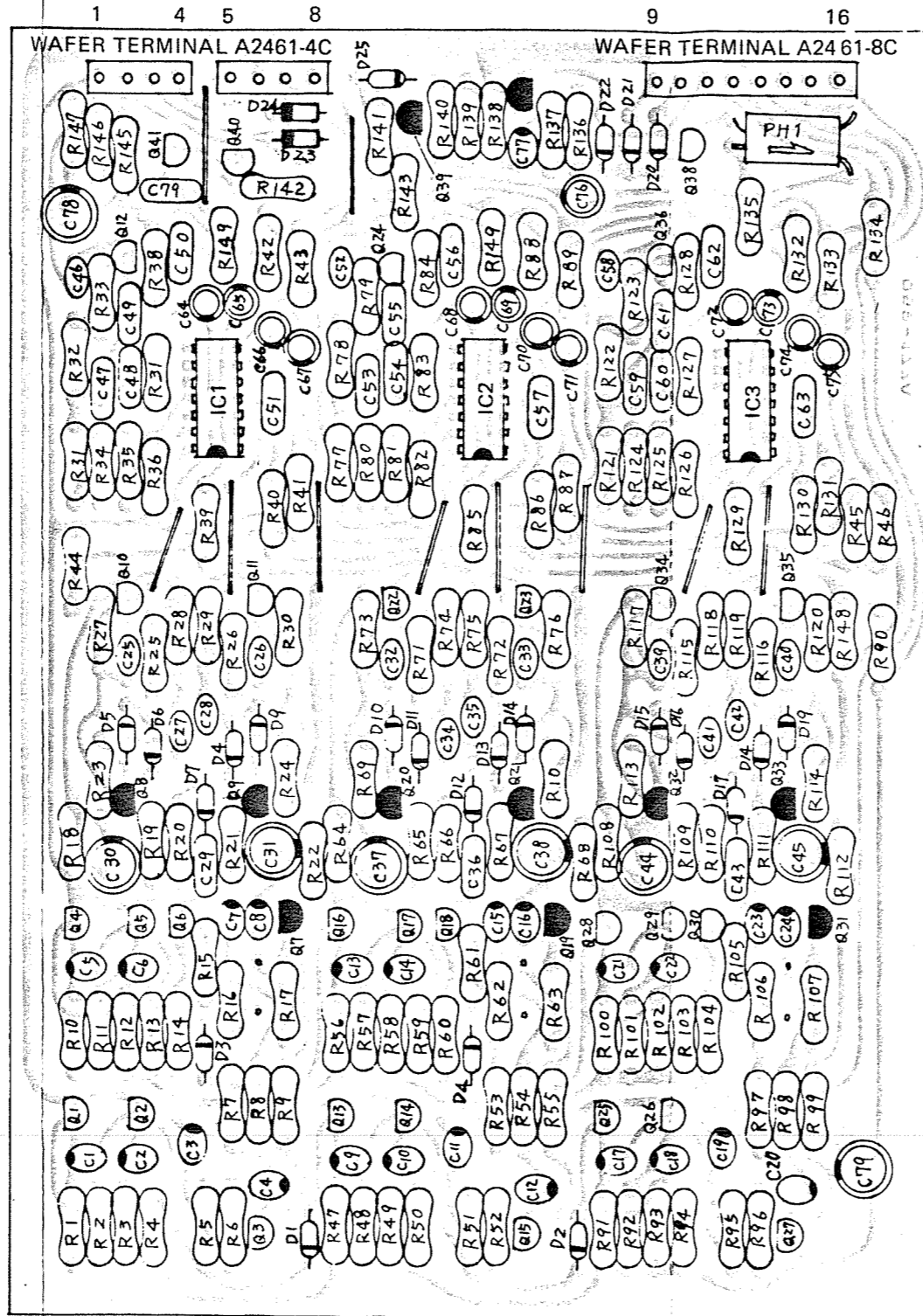


# 7. MODULATOR (ET-8A)

## PC BOARD, PARTS LAYOUT

Note: C8, C16, C24 (1/35, Tantalum) changed to (2.2/35, Tantalum) from Serial No. XX1400 and higher.

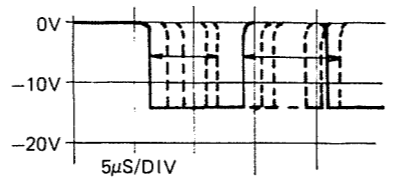
-  Tr 2SC945 P or Q
-  Tr 2SA733 P or Q
-  D 1S2473
-  Resistor 1/4W ±5% Carbon Film
-  Tantalum Capacitor
-  Electrolytic Capacitor
-  Mylar or Ceramic Capacitor
-  D 1N4003



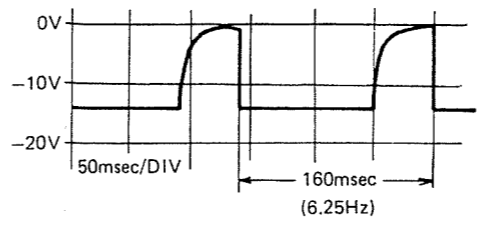
- -15V
- GND
- TO KEYBOARD +20V
- +20V
- VCA IN
- GND
- BBD OUT
- KEY TRIG
- TO SUSTAIN CONTROL
- TO SUSTAIN CONTROL
- +20V
- SIG IN
- GND
- SIG OUT
- GND
- TO ENSEMBLE SW

### CIRCUIT DIAGRAM

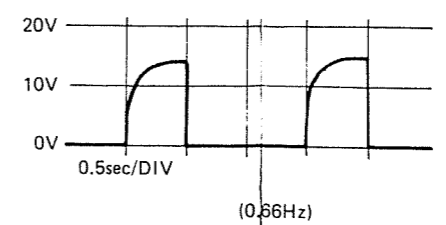
A POINT (ENSEMBLE SW : I POSITION)



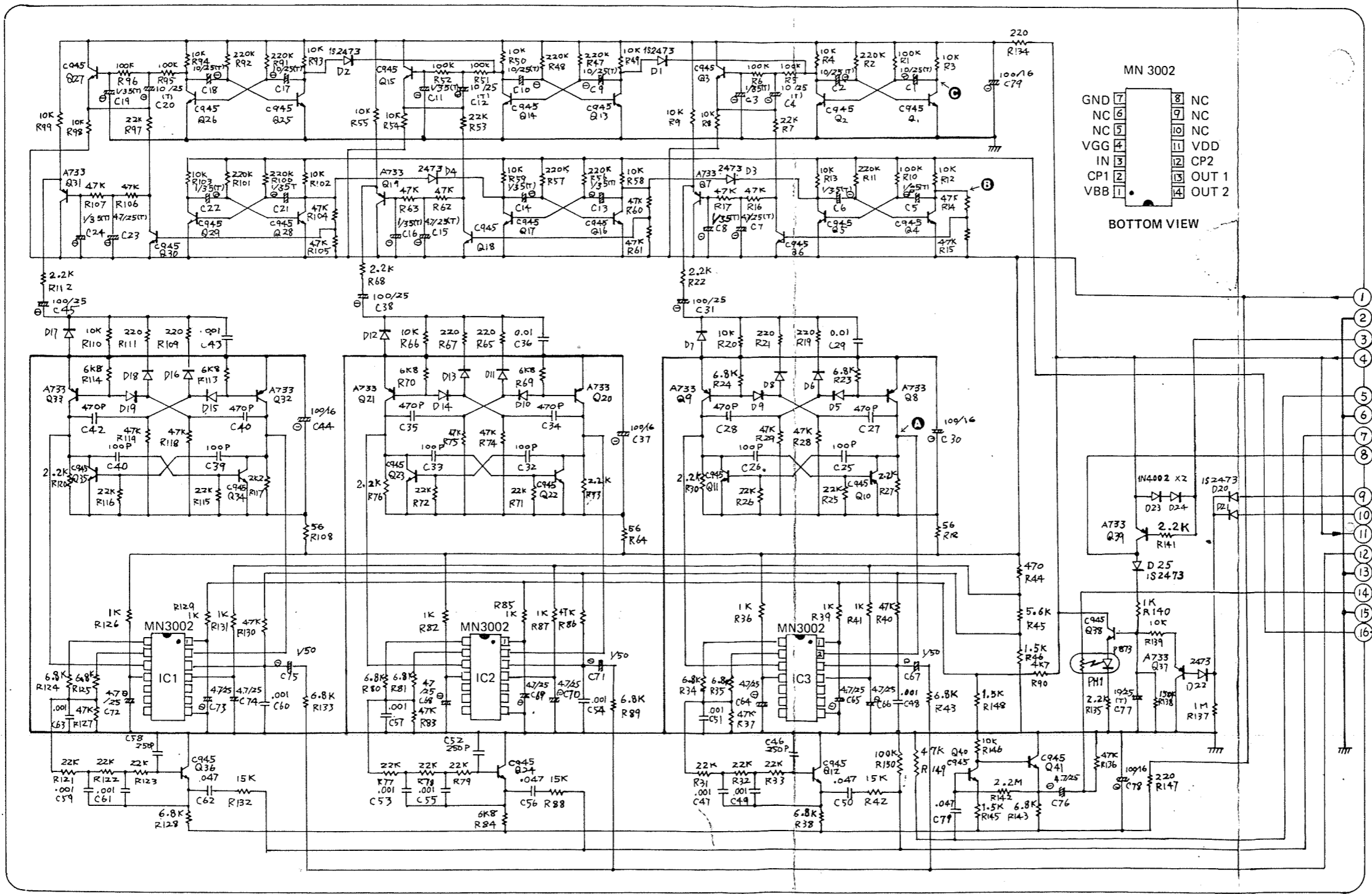
B POINT (ENSEMBLE SW : I POSITION)



C POINT



Note: C8, C16, C24 (1/35, Tantalum)  
changed to (2.2/35, Tantalum) from  
Serial No. XX1400 and higher.



**-15V**

① -15V  
② GND  
③ TO KEYBOARD +20V  
④ +20V  
⑤ VCA IN  
⑥ GND  
⑦ BBD OUT  
⑧ KEY TRIG

⑨ TO SUSTAIN CONT  
⑩ TO SUSTAIN CONT  
⑪ +20V  
⑫ SIG IN ← INPUT  
⑬ GND  
⑭ SIG OUT  
⑮ GND  
⑯ TO ENSEMBLE SW

**CHORUS FAST**

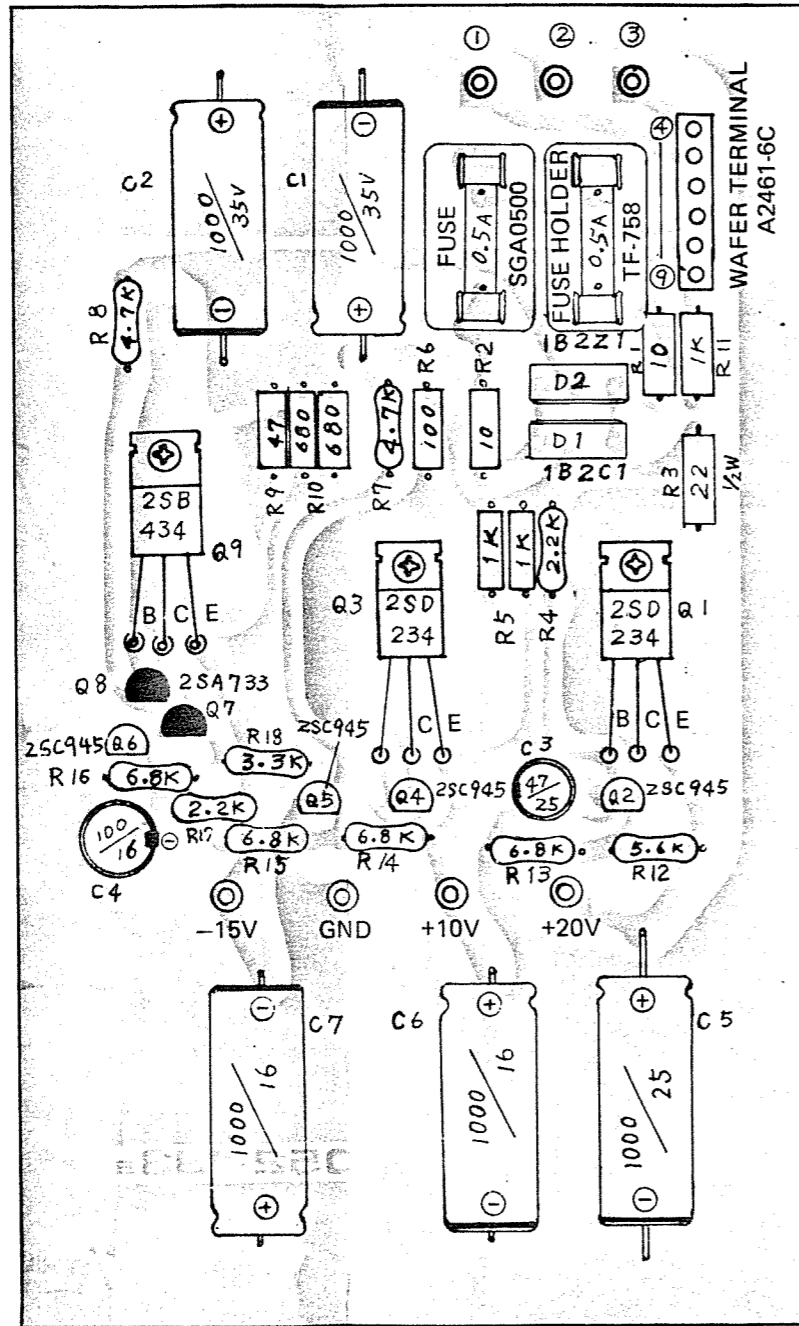
*USE ONLY IF USING VCA.*  
*IS THIS NOISY?*  
*TO +10V IF NOT VERY NOISY*  
*50K SUSTAIN TIME*

**10K 102**  
**OUT**

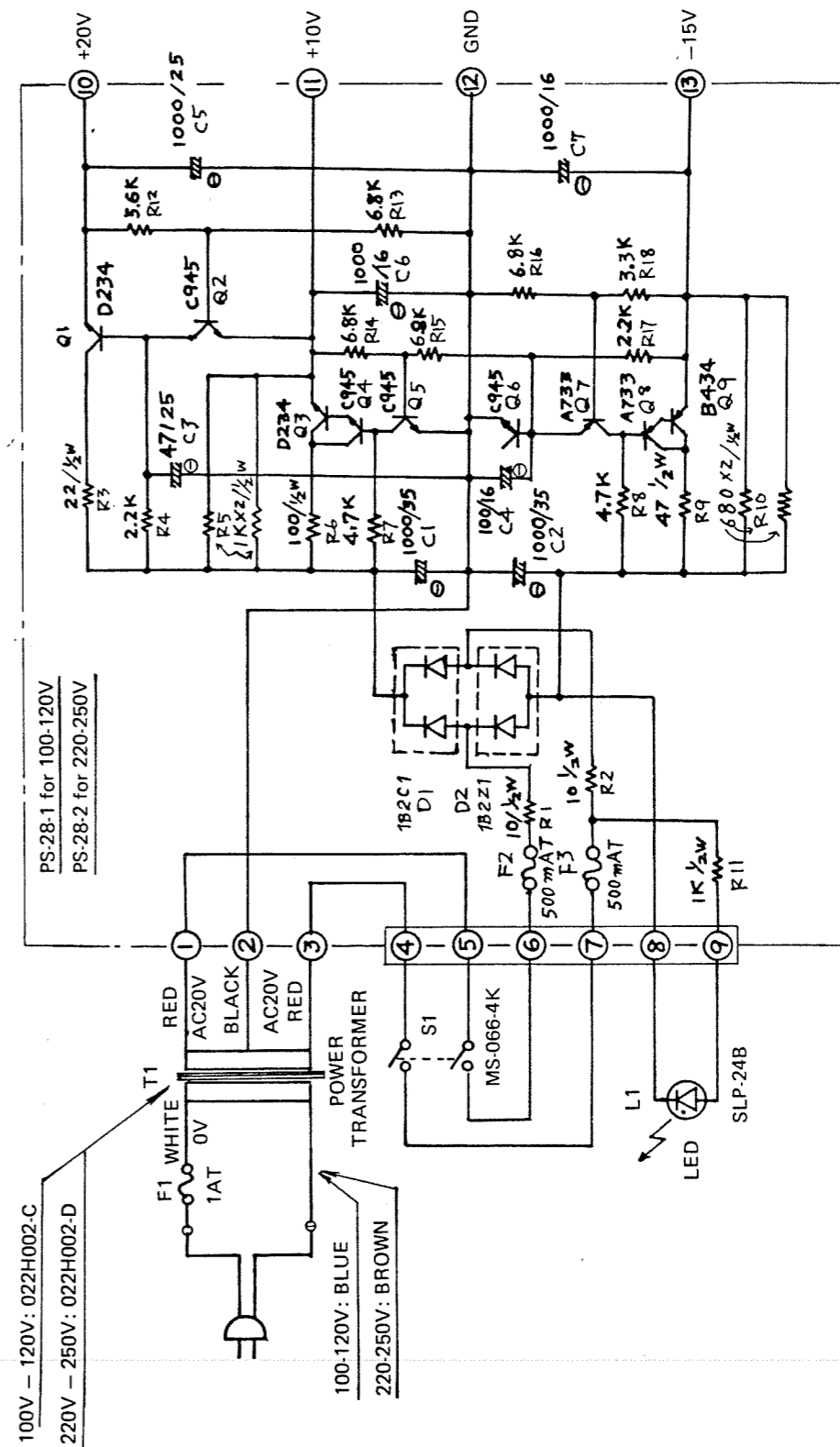
# 8. POWER SUPPLY (PC-15)

## PC BOARD, PARTS LAYOUT (PS-28)

PS-28-1 for 100-120V, without Fuse  
 PS-28-2 for 220-250V, with Fuse

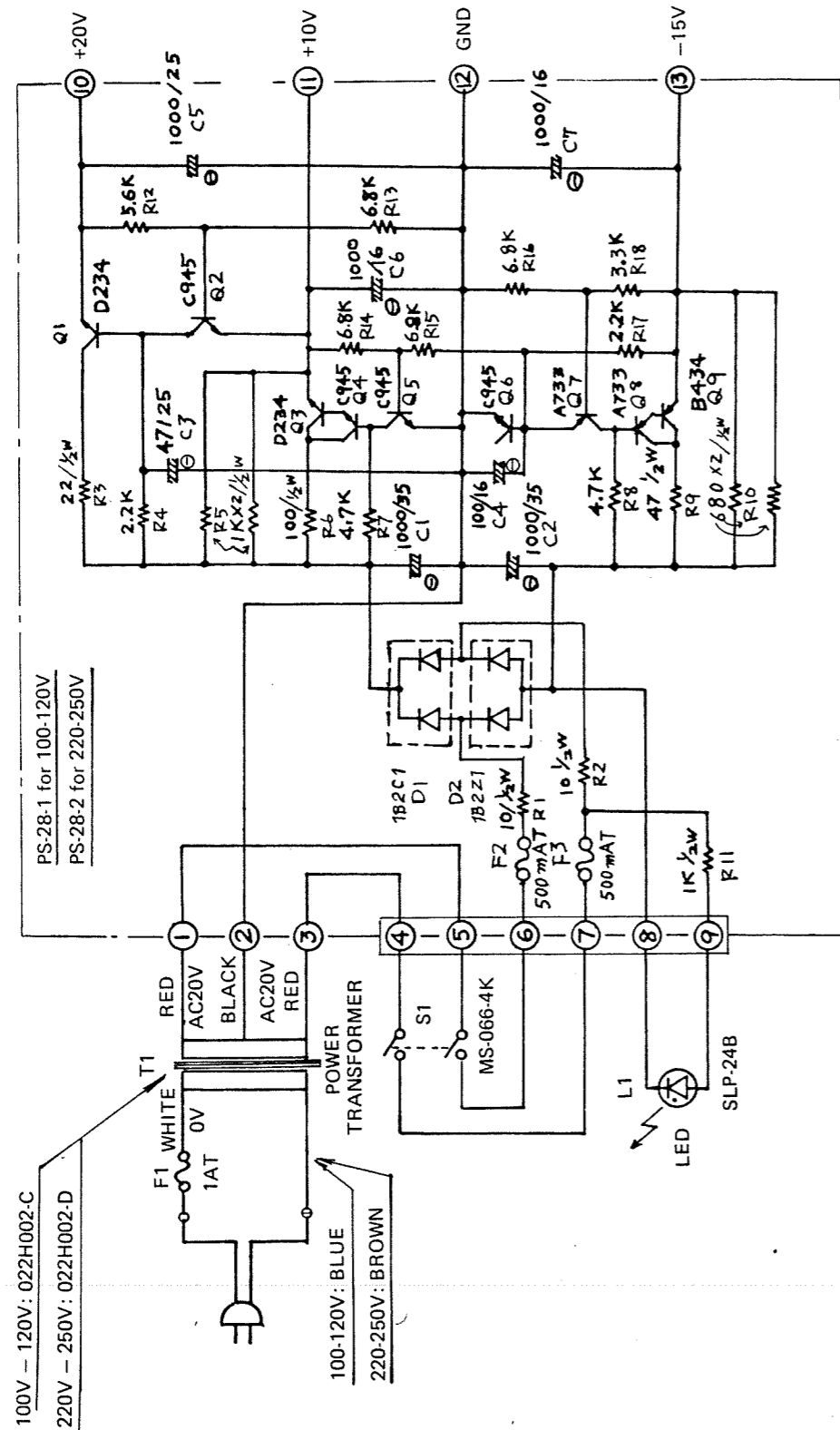


## CIRCUIT DIAGRAM





CIRCUIT DIAGRAM

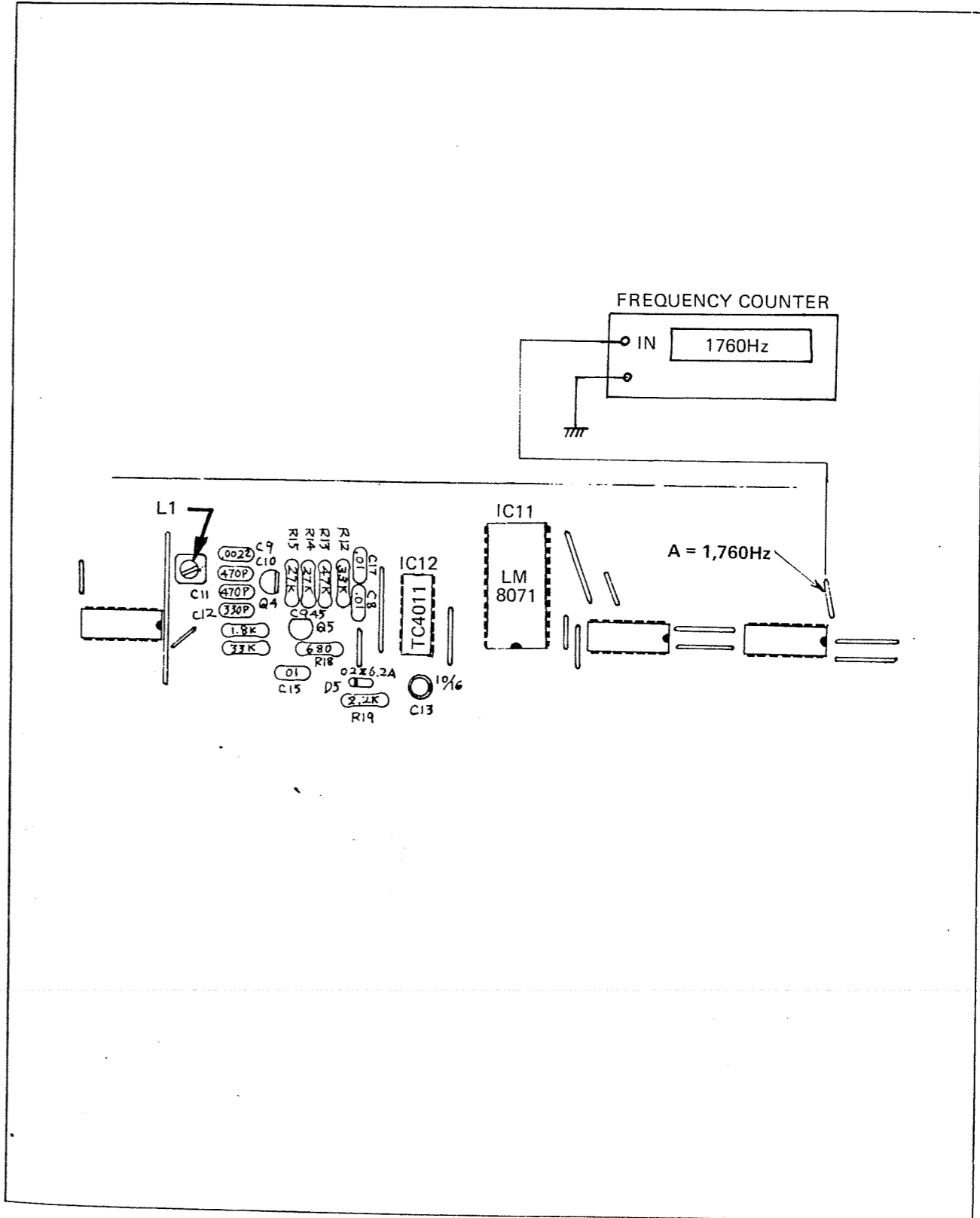


9. ADJUSTING PROCEDURES

9-1. TUNING MASTER GENERATOR

Set TUNE control on the front panel to the center position. Connect a frequency counter as illustrated below.

Adjust coil L1 located on the center of TONE GENERATOR PC BOARD ASSEMBLY, AGH-2B, so that the frequency of "A" is 1,760Hz.

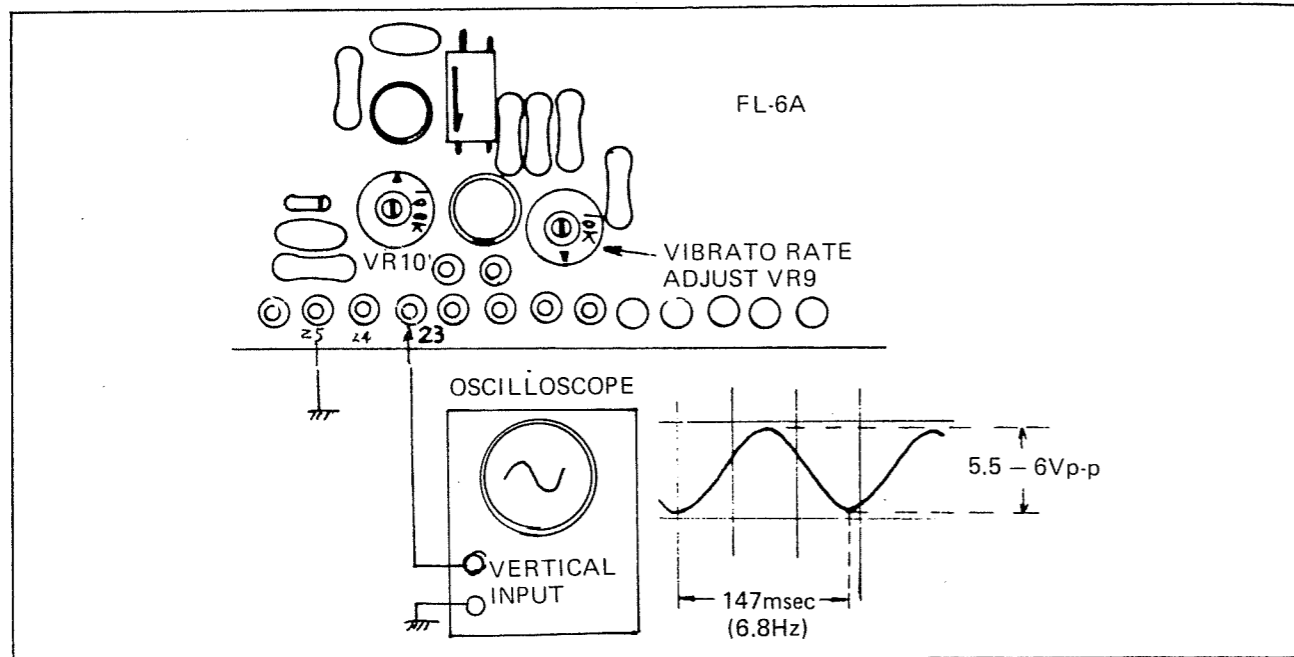


9-2. ADJUSTING VIBRATO

9-2-1. VIBRATO RATE

Connect an oscilloscope to No. 23 terminal of TONE CONTROL BOARD ASSEMBLY, FL-6, as illustrated below.

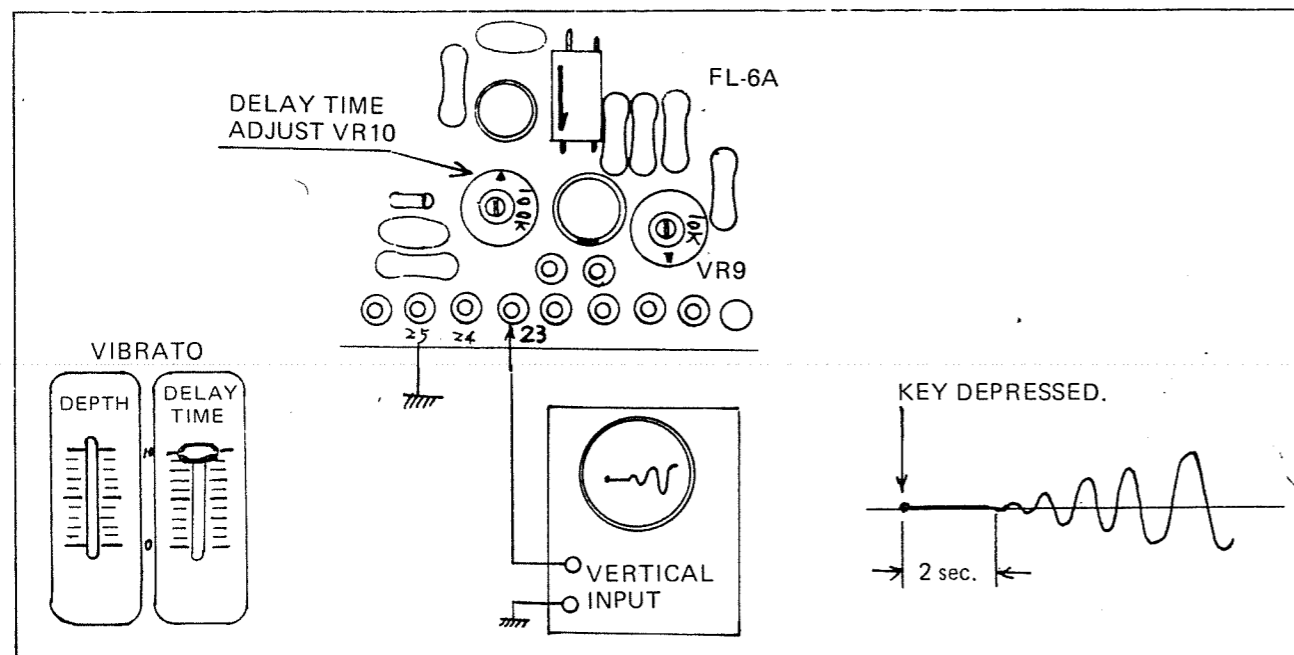
Adjust vibrato rate adjust trimmer potentiometer, VR9, to obtain 147msec (6.8Hz) sine wave on the oscilloscope.



9-2-2. VIBRATO DELAY TIME

Set DELAY TIME control on the front panel to the uppermost position, 10 point. Connect an oscilloscope to No. 23 terminal of TONE CONTROL BOARD ASSEMBLY, FL-6, as illustrated below.

Adjust vibrato delay time adjust trimmer potentiometer, VR10, to obtain vibrato modulation wave as shown in the accompanying figure appears in 2 seconds after a key is depressed.



10. PARTS LIST

PARTS NO.	PARTS NAME & DESCRIPTION
<b>1) GENERAL ASSEMBLY</b>	
081H031	Cabinet Assembly, Top
081H098	Cabinet Assembly, Bottom
081H089	Side Block, Right
081H090	Side Block, Left
066H001	Cord Box No. 1
065-007	Cord Box Lid
004H001	Keyboard Assembly, KS-161A
998	Key Felt, No. 998
162-015	Power Supply Assembly, PC-15 (PC Board Ass'y, PS-28, 146-028)
164-008	Control Panel Assembly, CS-8
144H002B	Tone Generator and Gate Circuit PC Board Assembly, AGH-2B
151-008	Modulator Circuit PC Board Assembly, ET-8
338-021	Wiring A
338-025	Wiring E
<b>2) 164-008 CONTROL PANEL ASSEMBLY, CS-8</b>	
072H008	Front Panel No. 8
072H009	Sub-chassis No. 9
002H003	Tablet Switch Assembly, RS-15B
001-007	Lever Switch, ESL-18-3S (ENSEMBLE)
028-033	Potentiometer, Slide, 10K(A), EVA-QOAC16-A14
028-035	Potentiometer, Slide, 50K(A), EVA-QOAC16-A54
028-024	Potentiometer, Slide, 50K(B), EVA-QOAC16-B54
028-028	Potentiometer, Slide, 1M(B), EVA-QOAC16-B16
030-055	Potentiometer, Rotary, 100K(B), EVC-BOAK15-B15
018-052	LED, SLP-24B
062-004	Bracket No. 4 (LED Holder)
	Spring Nut, MP-8, for Bracket No. 4
068-001	Bushing No. 1, Chip (in Bracket No. 4)
068-018	Bushing No. 18, Pipe for Music Rack
009-001	Jack No. 1, SG-7615, No. 5
016-003	Knob, No. 3
063-001	Strip, No. 1
016-021	Knob, No. 21, TK-1114
016-036	Knob, No. 36, Black
001-035	Power Switch, MS-0664K, Black
102H003	Long Nut, No. 3
121-005	Jack Washer
068-005	Jack Bushing
338-022	Wiring B
338-023	Wiring C
338-024	Wiring D