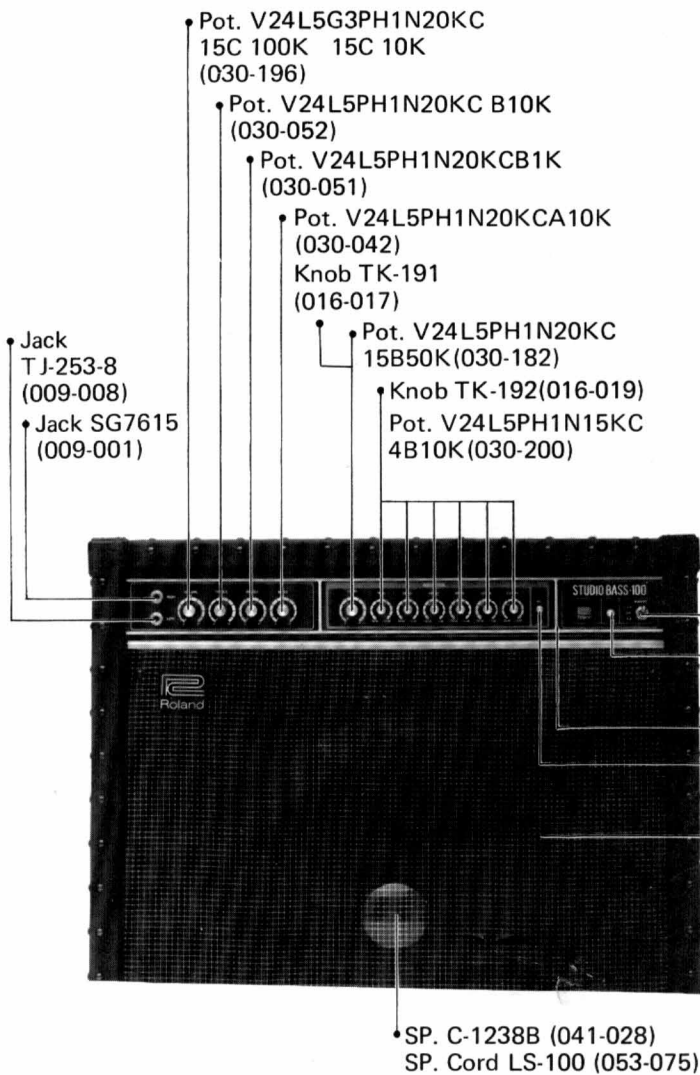


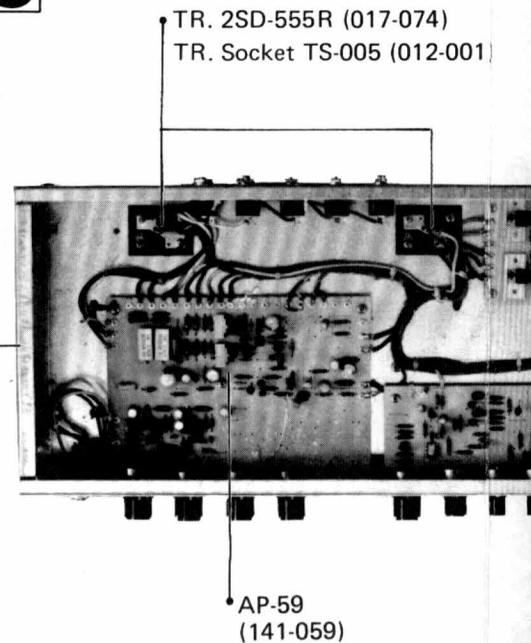
SB-100

SERVICE NOTES

PARTS LOCATION *First Edition*



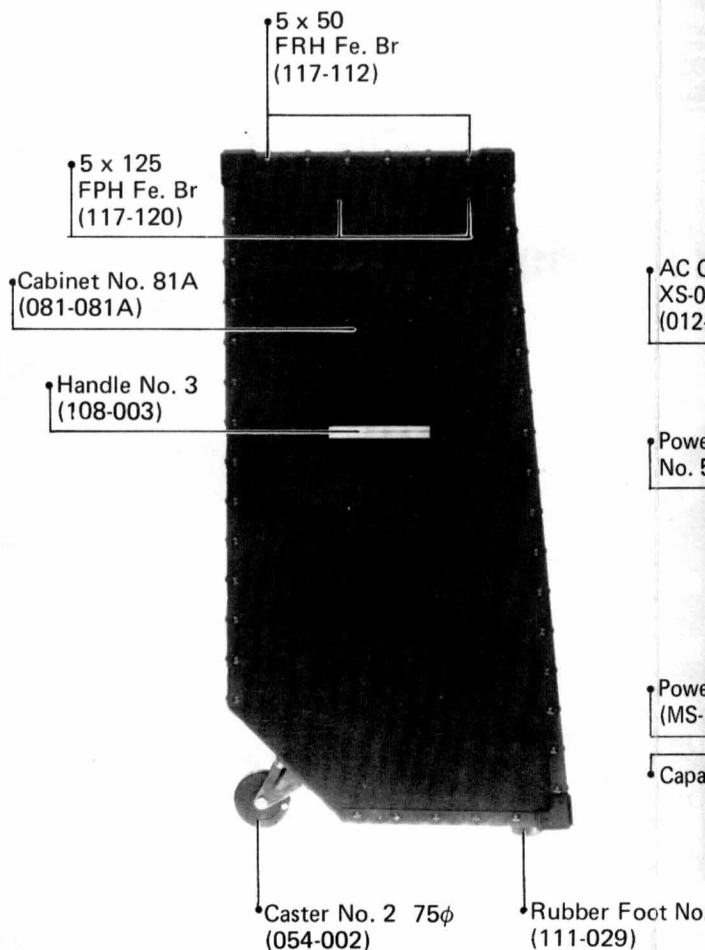
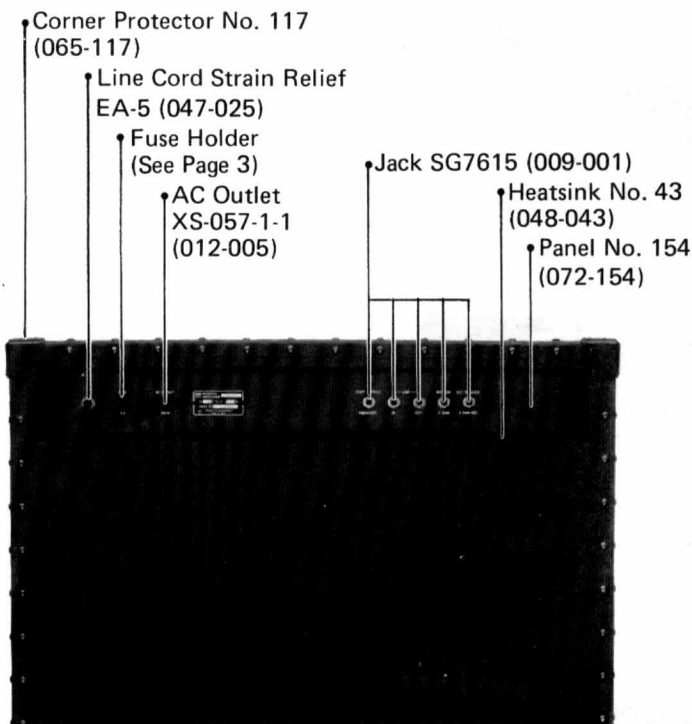
Shassis No. 155A
(061-155A)



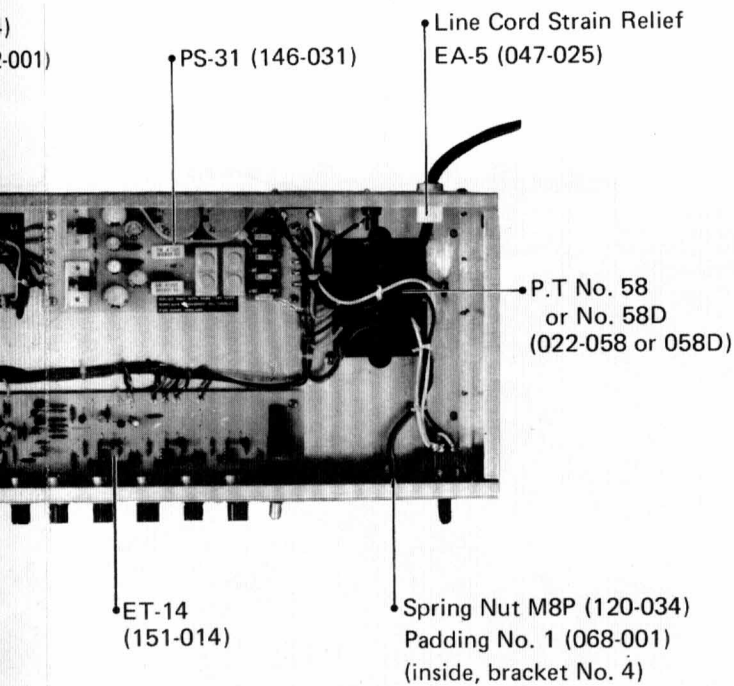
- SW. (See page 2)
- LED SLP-24B (019-003)
Bracket No. 4 (lens) (062-004)
- Panel No.153 (072-153)
- Knob SM-2000 (016-039)
SW. SLT-142 (001-134)
- Grille Cloth No. 24B
(085-024B)

DISASSEMBLY

To dismount chassis assembly remove eight screws indicated.



PICTORIAL



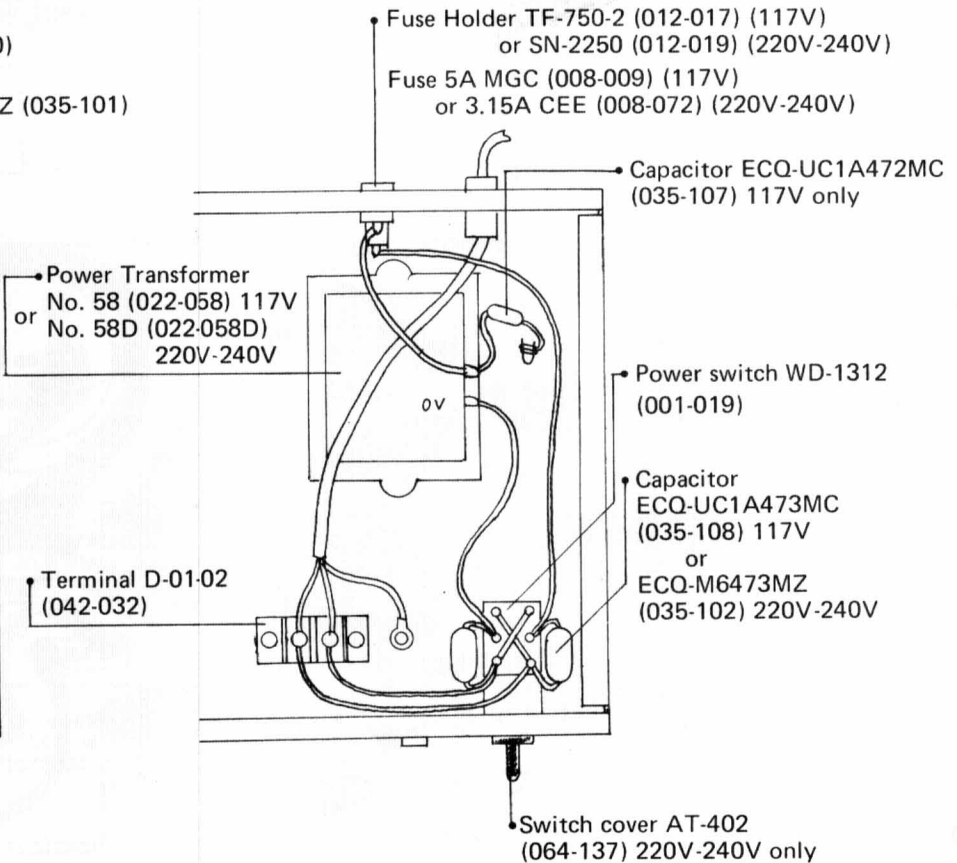
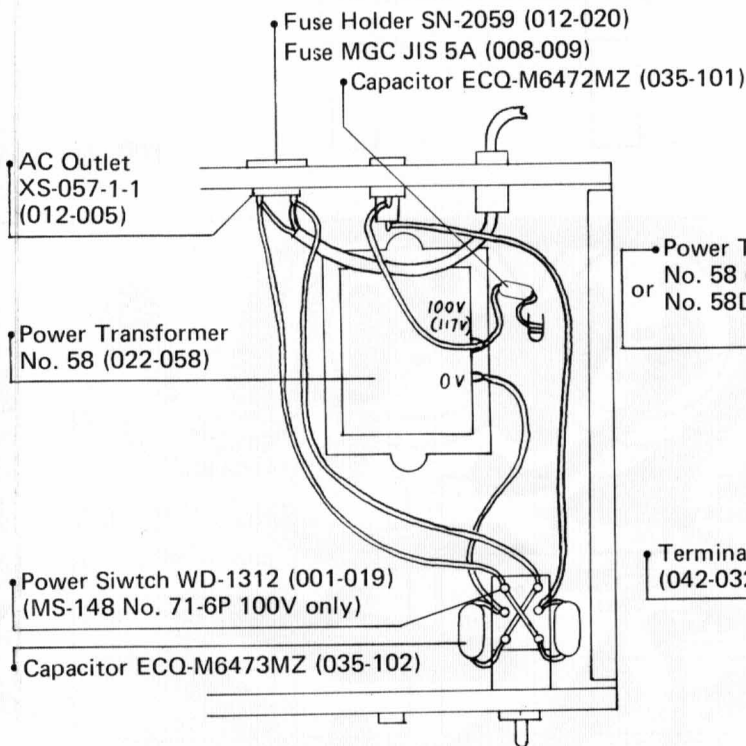
SPECIFICATIONS

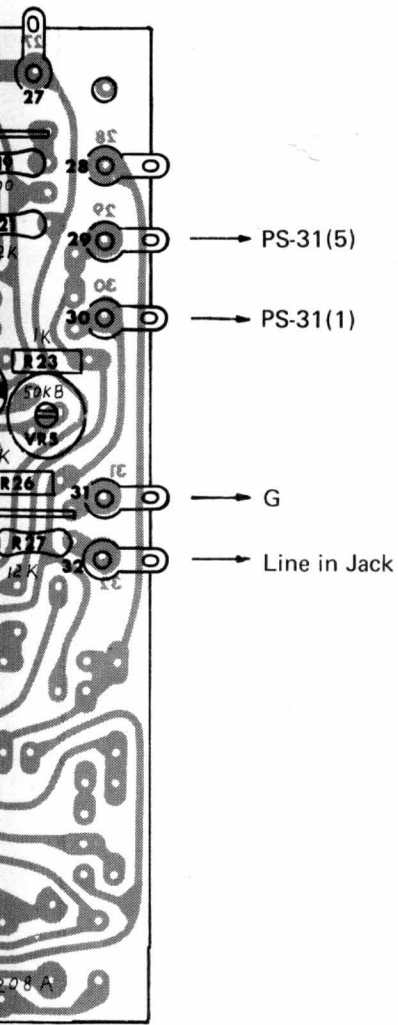
Power Output: 100W r.m.s. into 8 ohms
 Input: Sensitivity; High-25mV Low-80mV Line in-0dBm
 (for 100W r.m.s. into 8 ohms at 1kHz)
 Impedance; High-82Kohms Low-150Kohms Line in-25kohms
 Output: Built-in Speaker 8 ohms External Speaker (should be connect to over 8 ohms load)
 Line out 330 ohms 0dBm
 Control: Treble
 Middle
 Bass
 Equalizer Level; 0 to +6dB
 Center position's level equal to normal level with all band controls in center position
 Band Level; 75 Hz ±12dB
 150 Hz ±12dB
 300 Hz ±12dB
 600 Hz ±12dB
 1.2 KHz ±12dB
 2.4 KHz ±12dB
 Power Consumption: 400VA (max.)
 Speaker: Nominal Impedance; 8 ohms
 Power Handling Capacity; 120 W
 Diameter; 38cm
 Dimensions: 840(H) x 680(W) x 428(D) mm
 Weight: 45kg

AC PRIMARY'S CONFIGURATIONS

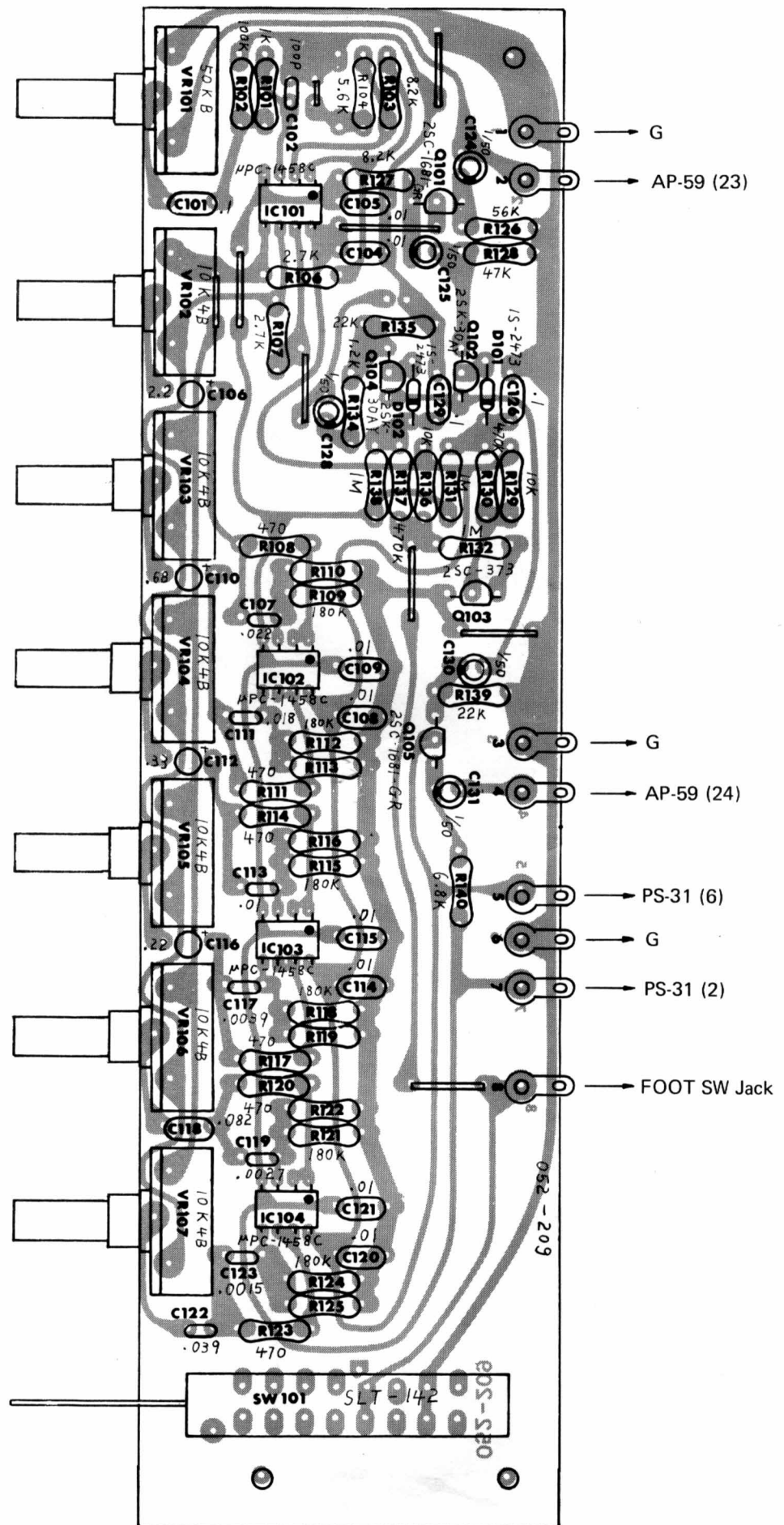
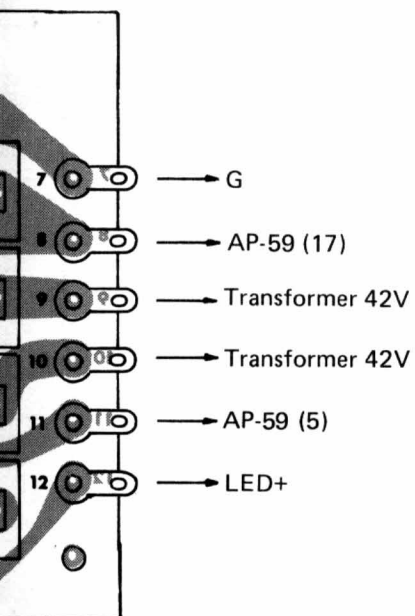
100V - 120V (2-Pin Plug type)

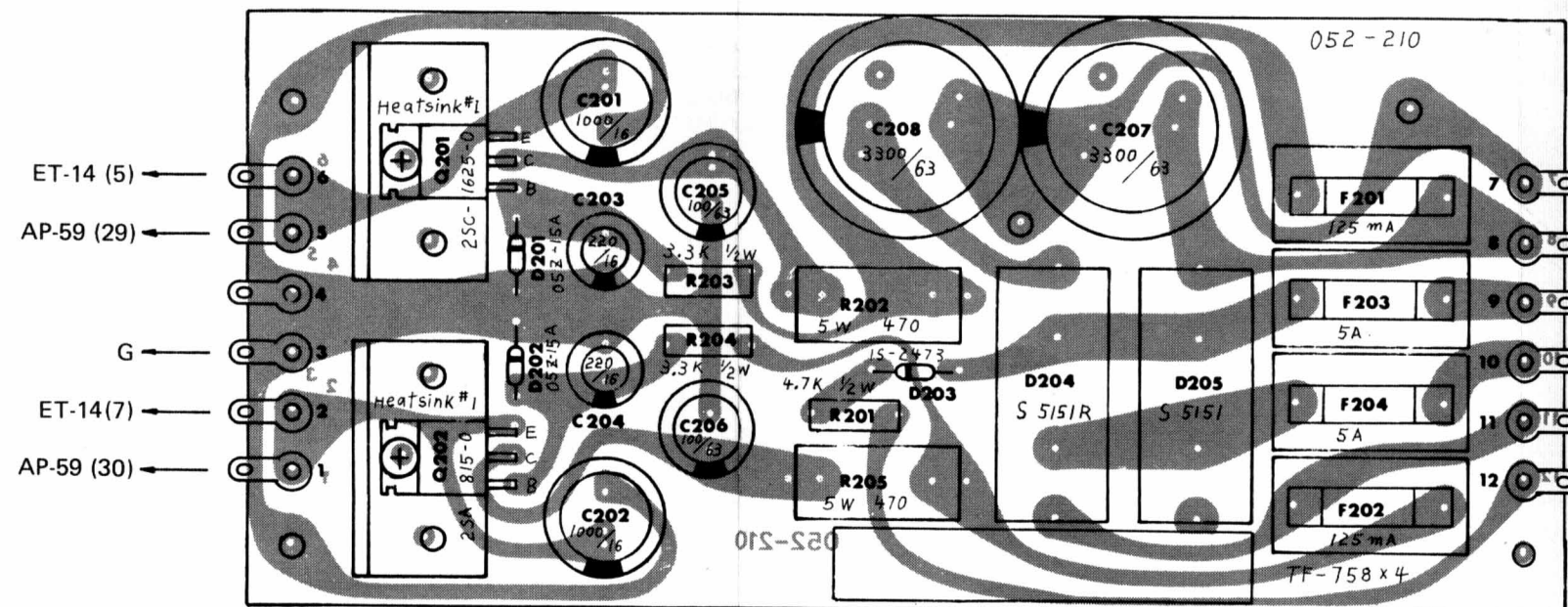
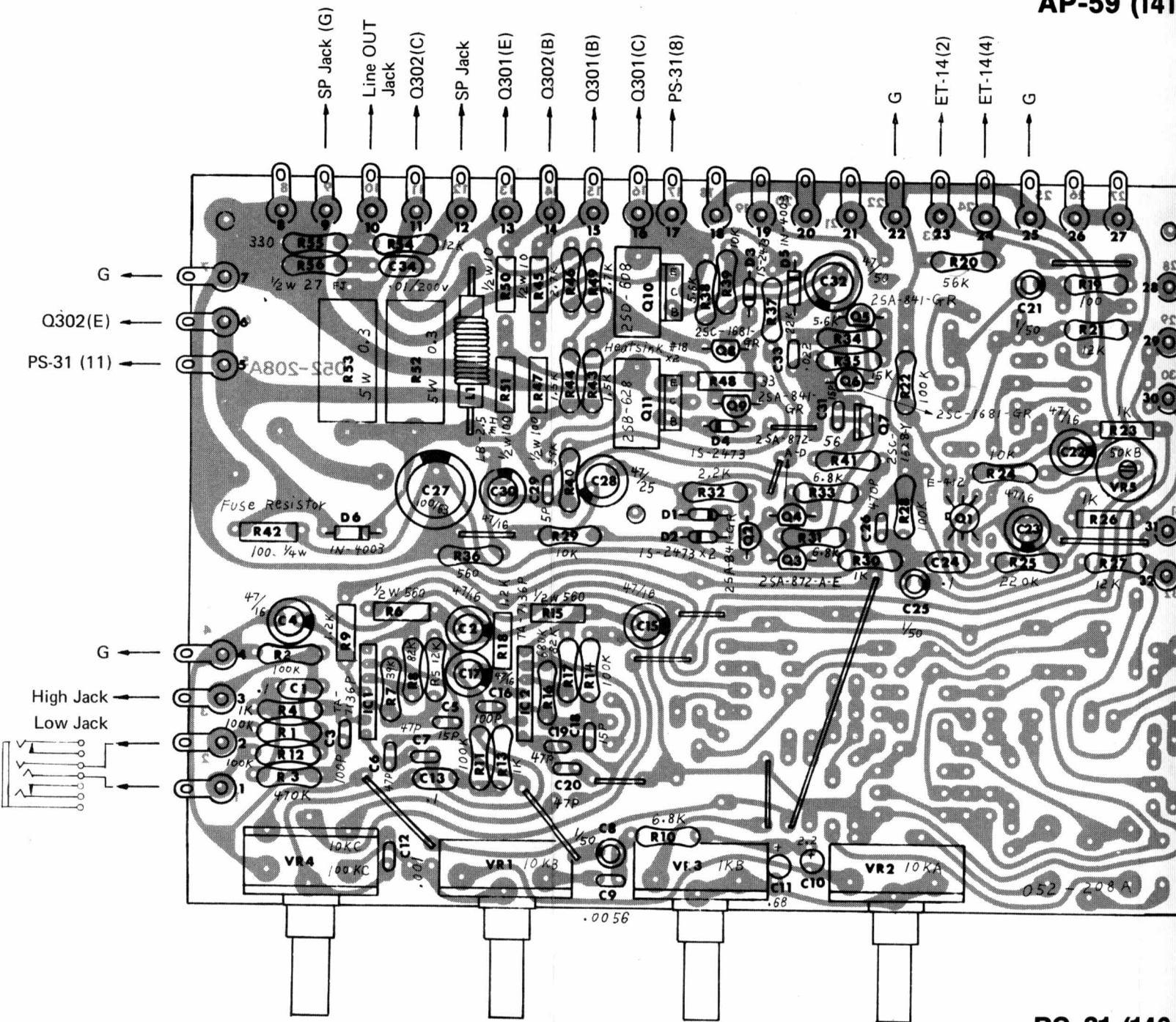
117V, 220V - 240V (3-Pin Plug type)

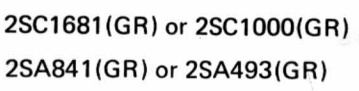
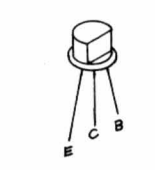
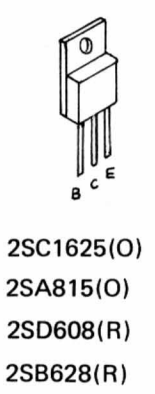
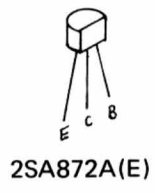
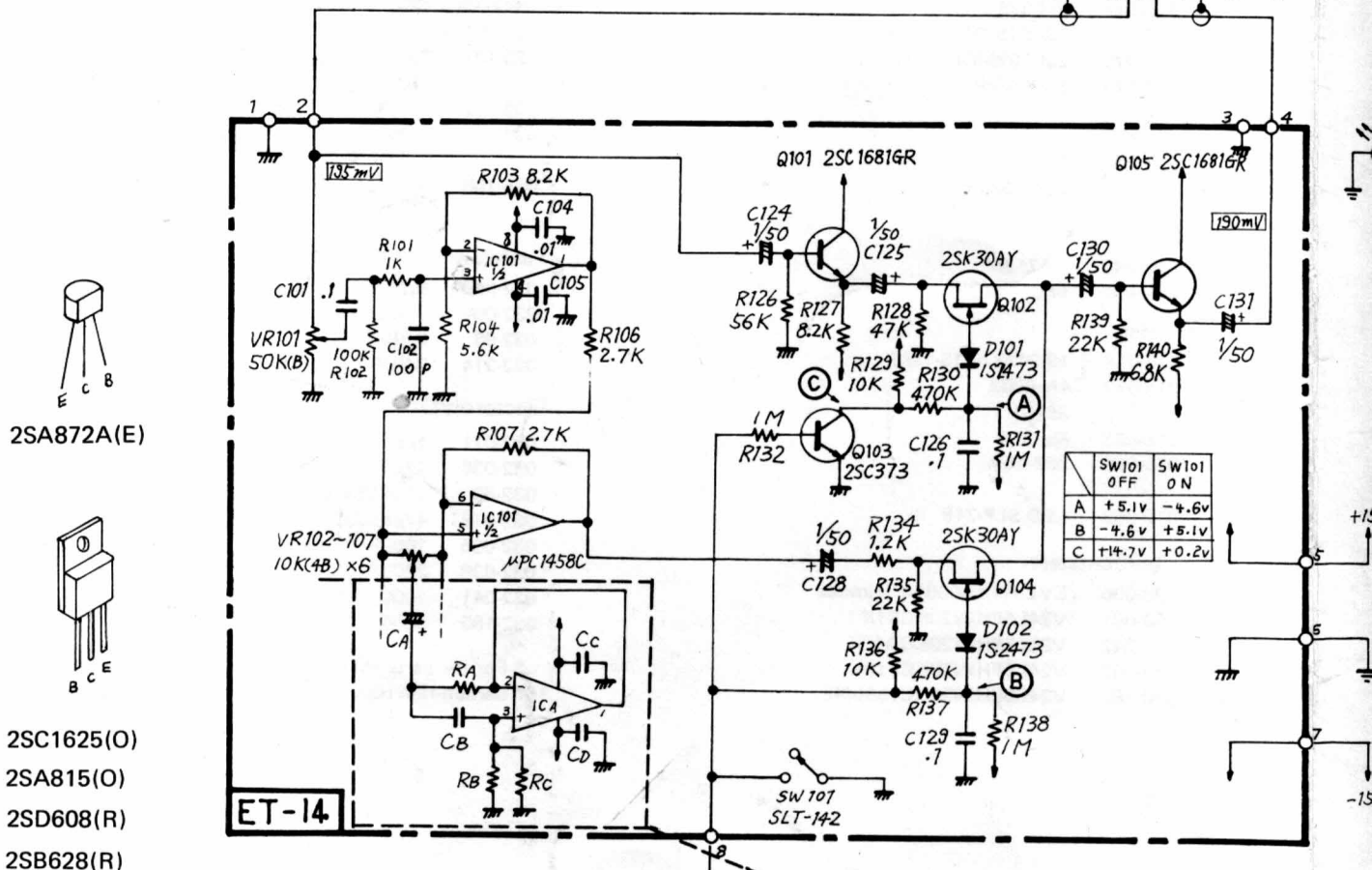
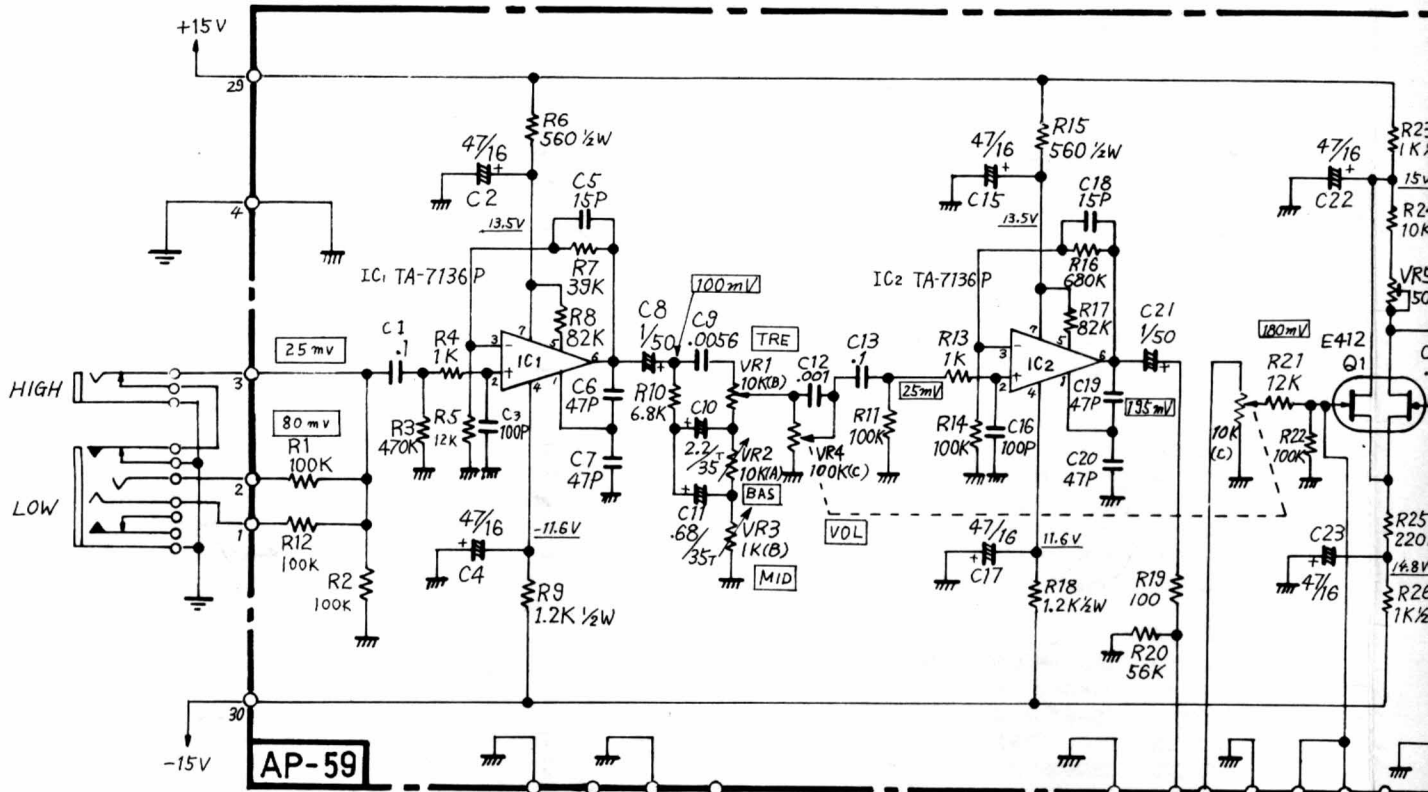




31 (146-031)

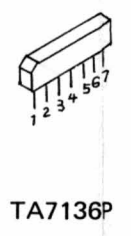
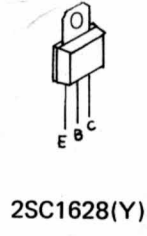
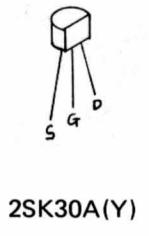


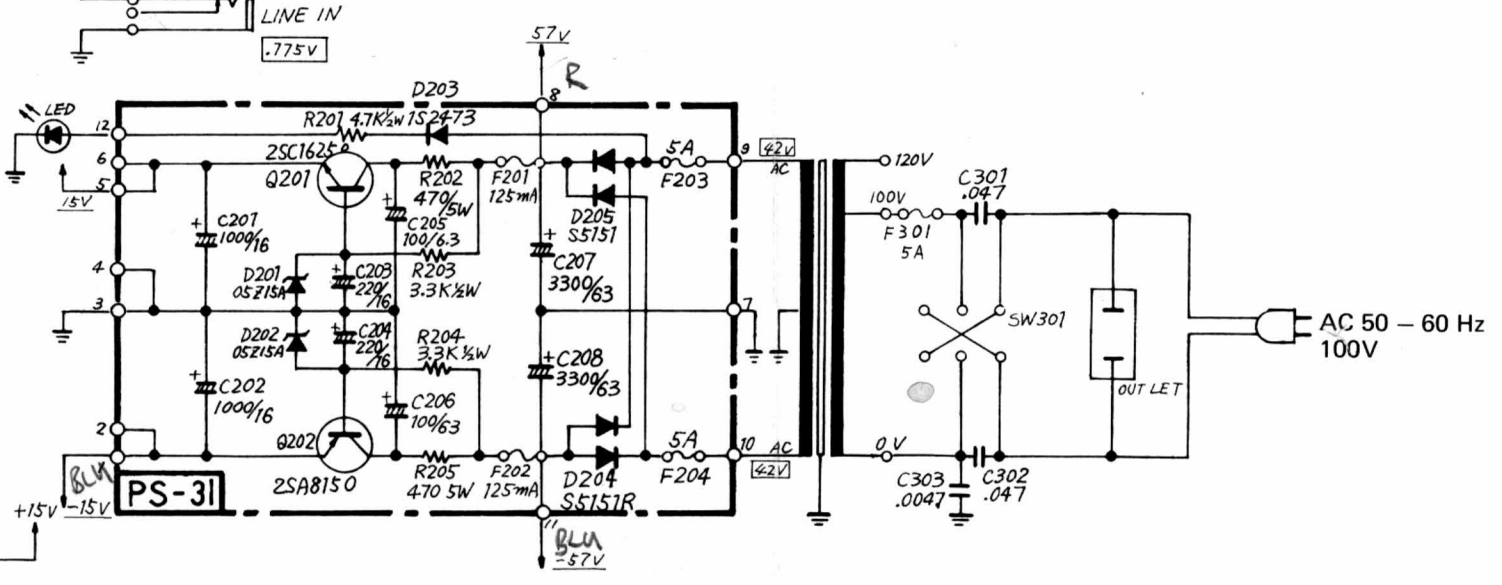
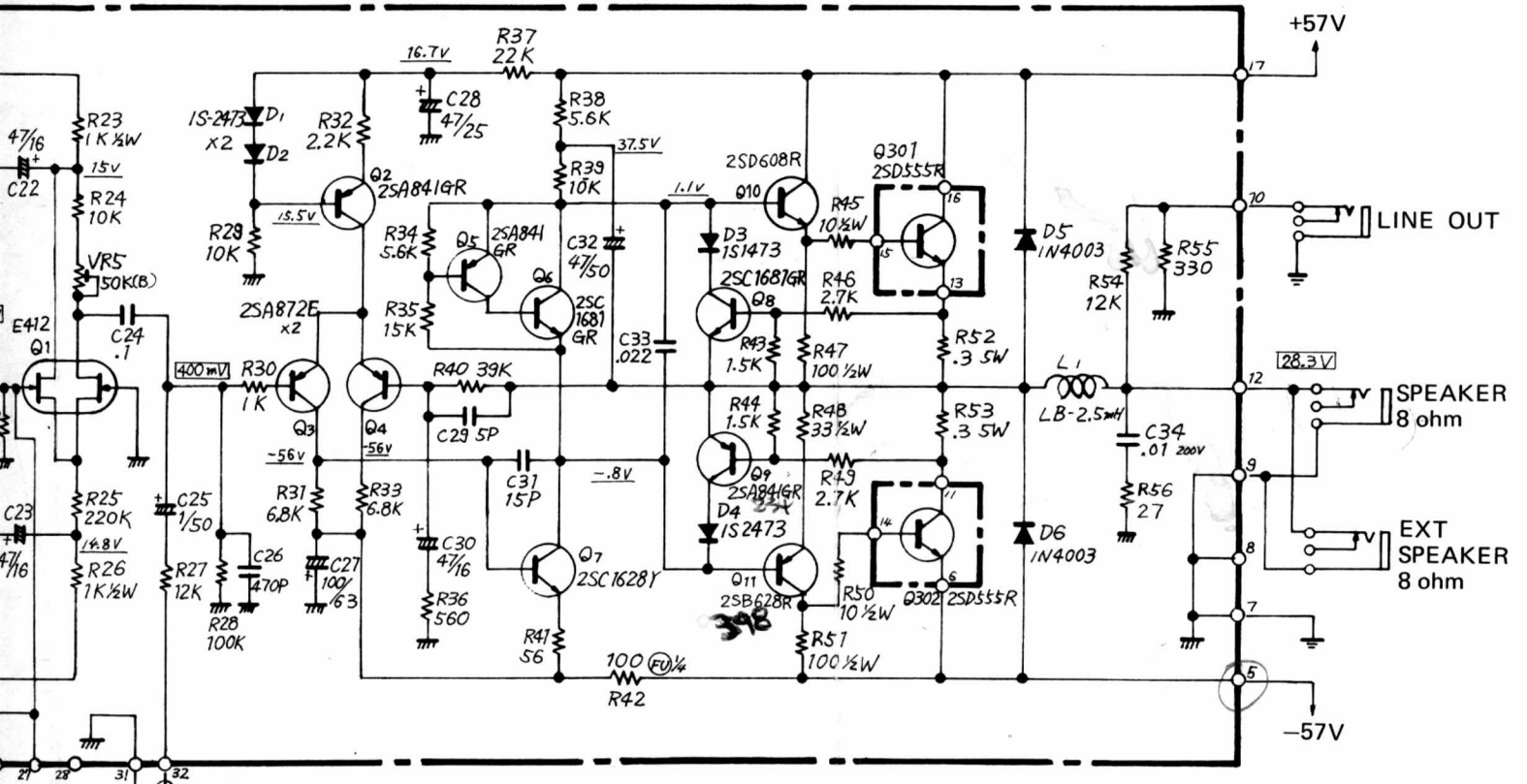




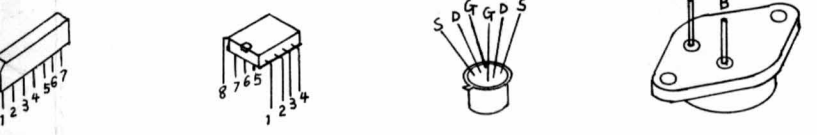
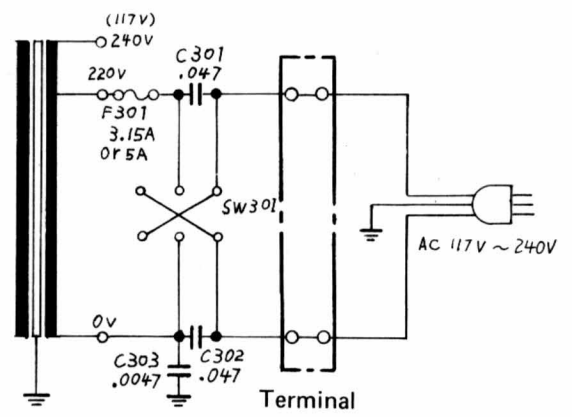
For values, refer to the Table

	SW101 OFF	SW101 ON
A	+5.1V	-4.6V
B	-4.6V	+5.1V
C	+14.7V	+0.2V





	75 Hz		150 Hz		300 Hz		600 Hz		1.2 kHz		2.4 kHz	
	1/2 IC102	μPC 1458C	1/2 IC102	μPC 1458C	1/2 IC103	μPC 1458C	1/2 IC103	μPC 1458C	1/2 IC104	μPC 1458C	1/2 IC104	μPC 1458C
ICA	C106	2.2/35T	C110	.68/35T	C112	.33/35T	C116	.22/35T	C118	.082	C122	.039
CA	C107	.022	C111	.018	C113	.01	C117	.0039	C119	.0027	C123	.0015
CB	C108	.01	-	-	C114	.01	-	-	C120	.01	-	-
CC	C109	.01	-	-	C115	.01	-	-	C121	.01	-	-
CD	R108	470	R111	470	R114	470	R117	470	R120	470	R123	470
RA	R109	180K	R112	180K	R115	180K	R118	180K	R121	180K	R124	180K
RB	R110	-	R113	-	R116	-	R119	-	R122	-	R125	-
RC												



A7136P μPC1458C E-412 2SD555(R)

510-4351

072-154 Panel No. 154
 016-017 Knob TK-191 (large)
 016-019 Knob TK-192 (small)
 016-039 Knob SM-2000 (lever switch)
 009-001 Jack SG7615
 009-008 Jack TJ-253-8
 121-005 Washer (jack)
 062-004 Bracket No. 4 (lens, LED)
 120-034 Spring Nut M8P (Bracket No. 4)
 068-001 Padding No. 1 (inserted in Bracket)

141-059 PCB Assembly AP-59
 052-208A PCB (less parts)
 151-014 PCB Assembly ET-14
 052-209 PCB (less parts)
 146-031 PCB Assembly PS-31
 052-210 PCB (less parts)
 120-001 Long Nut No. 1 (Spacer) 3x10mm

Transistors

017-062 2SC1681(GR) or 2SC1000(GR)
 017-069 2SA841(GR) or 2SA493(GR)
 017-075 2SA872A(E)
 017-028 2SC1628(Y)
 017-076 2SD608(R)
 017-077 2SB628(R)
 017-011 2SC373
 017-078 2SA815(O)
 017-079 2SC1625(O)
 017-074 2SD555(R)

FET's

017-036 E-412
 017-014 2SK-30A(Y)

IC's

020-042 TA7136P
 020-062 μ PC1458C

Diodes

018-014 1S-2473 or 1S-1555
 018-022 1N-4003
 018-032 S5151
 018-033 S5151R
 018-025 05Z-15A

019-003 LED SLP-24B

Potentiometers

028-006 EVL-R4XA00B54 Trimmer
 030-051 V24L5PHIN20KCB1K
 030-042 V24L5PHIN20KCA10K
 030-052 V24L5PHIN20KCB10K
 030-182 V24L5PHIN20KC15B50K

030-200 V24L5PHIN15KC4B10K
 030-196 V24L5G3PHIN20KC15C100K/C10K
 121-001 Washer, (potentiometer)

Resistors

044-012 10 Ω ERC-12GK 1/2W \pm 10% Carbon Solid
 044-108 33 Ω ERC-12GK 1/2W \pm 10% Carbon Solid
 044-114 100 Ω ERC-12GK 1/2W \pm 10% Carbon Solid
 044-123 560 Ω ERC-12GK 1/2W \pm 10% Carbon Solid
 044-126 1K Ω ERC-12GK 1/2W \pm 10% Carbon Solid
 044-127 1.2K Ω ERC-12GK 1/2W \pm 10% Carbon Solid
 044-132 3.3K Ω ERC-12GK 1/2W \pm 10% Carbon Solid
 044-134 4.7K Ω ERC-12GK 1/2W \pm 10% Carbon Solid
 044-398 27 Ω ERD-12FJ 1/2W +5%
 044-253 0.3 Ω MS-5 5W Wire Wound
 044-291 470 Ω MS-5 5W Wire Wound
 008-130 Fusing Resistor 100 Ω FRNB 1/4W
 022-020 Choke Coil LB-2.5mH

Capacitors

Ceramic

037-014 5PF 50V +10%
 037-002 15PF 50V \pm 10%
 037-005 47PF 50V \pm 10%
 037-006 100PF 50V \pm 10%
 037-008 470PF 50V \pm 10%

Polyester Film

035-103 0.01 μ F ECOM2103KZ 200V \pm 10%
 035-101 0.0047 μ F ECQM6472MZ 600V \pm 20%
 (100V-120V 2-Pin Plug)
 035-102 0.047 μ F ECQM6473MZ 600V \pm 20%
 035-107 0.0047 μ F ECQUC472MC 125V \pm 20%
 (117V 3-pin plug)
 035-108 0.047 μ F ECQUC473MC 125V \pm 20%
 (117V 3-pin plug)

Tantalum

032-093 0.22 μ F 35V \pm 10%
 032-094 0.33 μ F
 032-96 0.68 μ F
 032-214 2.2 μ F

Electrolytic

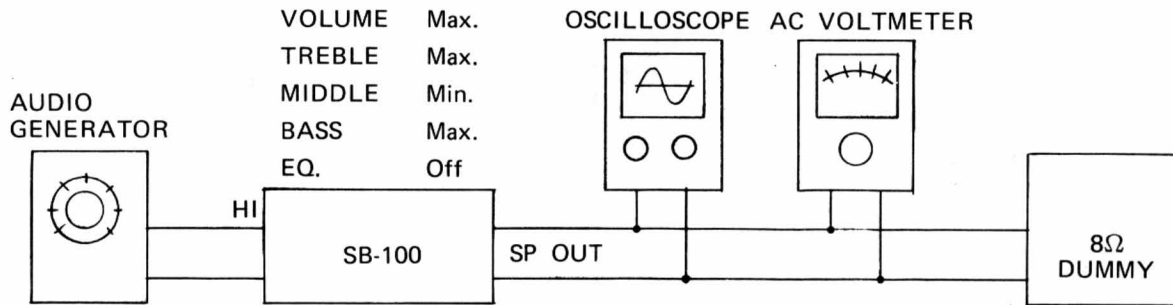
032-071 1 μ 50V ECE-A50V1
 032-036 47 μ F16V ECE-A25V47
 032-50 47 μ F25V ECE-A25V47
 032-078 47 μ F50V ECE-A50V47
 032-085 100 μ F63V ECE-A63V100
 032-038 220 μ F16V ECE-A16V220
 032-041 1000 μ F16V ECE-A16V1000
 032-180 3300 μ F63V ECE-T63R3300S

* For the parts not listed in parts list, refer to page 1.

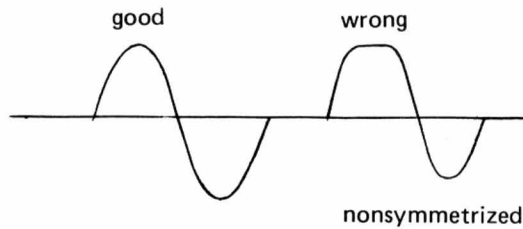
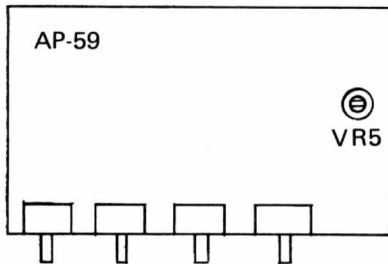
** Carbon film resistors of 1/4W, and Maylars are omitted.

ADJUSTMENT AND CHECKING

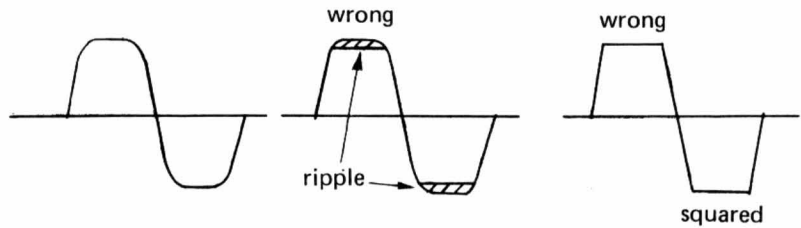
Adjusting FET gain



1. Feed a signal, sine wave, 25mV, 1kHz, into HI input.
Adjust VR-5 for reading 28.3V r.m.s. (100W) on the voltmeter



2. Increase the signal to 50mV-100mV.



PARTS LIST

081-081A Cabinet NO. 81A
 065-117 Corner Protector No. 117
 103-003 Handle No. 3
 054-002 Caster No. 2 75mm
 111-029 Rubber Foot No. 29
 085-024B Grille Cloth No. 24B
 131-081 Vinyl Cover No. 81
 041-028 Speaker C-1238B 8 ohms
 117-112 Screw 5x50 F.P.H. Fe. Br
 117-120 Screw 5x125 F.P.H. Fe. Br
 130-152 Carton

Fuse Holders

012-020 SN-2059 Prim. (100V-120V)
 012-015 TF-750/2 Prim. (117V, 3-Pin Plug)
 012-019 SN-2250 Prim. (220V-240V, 3-Pin Plug)
 012-003 TF-758 Sec.

Huses

008-009 5A MGC JIS Prim. (100V-120V)

008-072 3.15A CEE prim. (220-240V)
 008-057 125mA CEE Sec.
 008-075 5A CEE Sec.

001-081 Power Switch MS-148 No. 71-6P (100V only)
 001-019 Power Switch WD-1312
 064-137 Switch Cover AT-402 (220V-240V)
 001-134 Lever Switch SLT-142
 022-058 Power Transformer No. 58 (100V-120V)
 022-058D Power transformer No. 58D (220V-240V)
 047-025 Line Cord Strain Relief EA-5
 012-005 AC Outlet XS-057-1-1
 042-032 Terminal D-01 2P (220V-240V 3-Pin. Plug)
 048-043 Heatsink No. 43 (Power TR.)
 012-001 Transistor Socket TS-005 (Power TR.)
 073-011 Insulator (Power TR.)
 048-018 Heatsink No. 18 (2SD-608, 2SB-628)
 048-001 Heatsink No. 1 (2SC-815, 2SC-1625)
 061-155A Chassis No. 155A
 072-153 Panel No. 153, Front