

SRA-260/540/800

SERVICE NOTES

First Edition

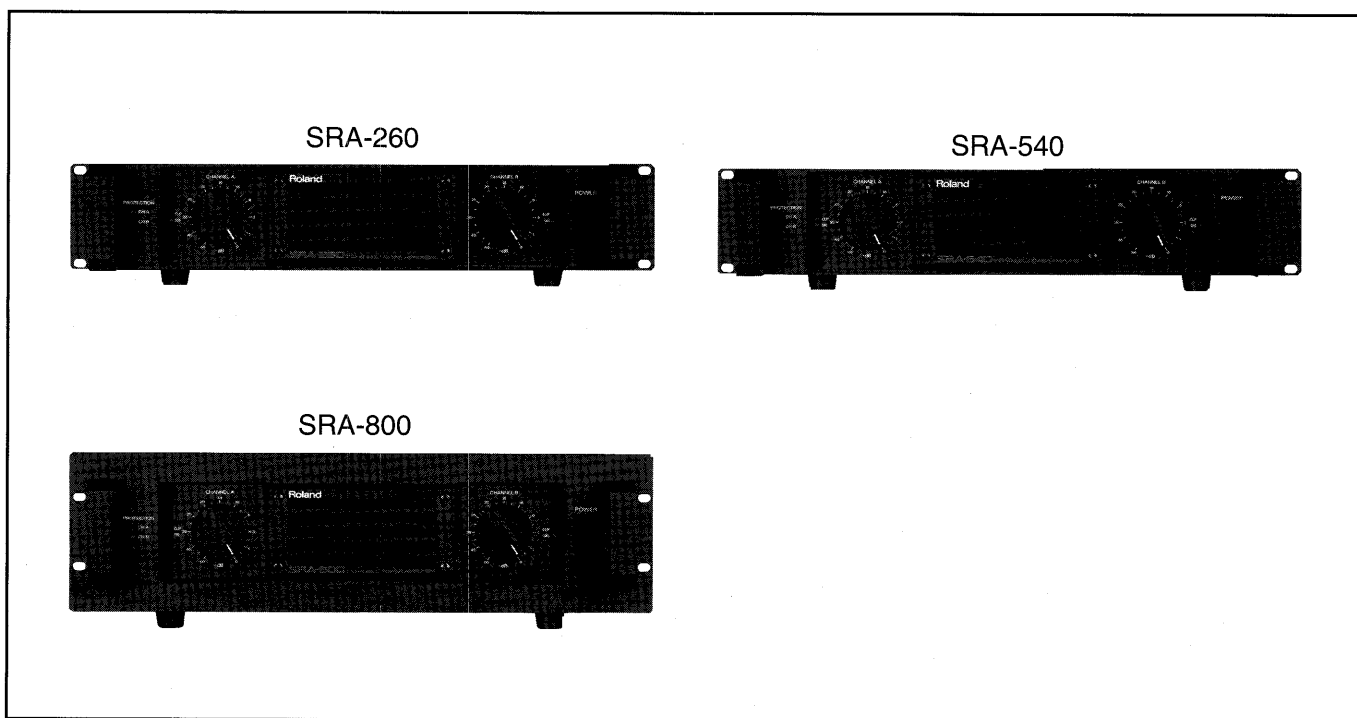
Issued by RJA

TABLE OF CONTENTS

SPECIFICATIONS
 LOCATION OF CONTROLS
 EXPLODED VIEW
 EXPLODED VIEW PARTS LIST
 PARTS LIST (SRA-260)
 PARTS LIST (SRA-540)
 PARTS LIST (SRA-800)
 TABLE FOR THE CORRESPONDENCES OF FUSES
 IDLING VOLTAGE ADJUSTMENT
 HOW TO CLEANING THE FILTERS
 APPENDIX
 MT BOARD ASSY
 POWER SUPPLY BOARD ASSY
 XLR BOARD ASSY
 TR BOARD ASSY
 CIRCUIT DESCRIPTION
 WIRING DIAGRAM
 MT BOARD XLR BOARD CIRCUIT DIAGRAM
 TR BOARD CIRCUIT DIAGRAM
 POWER SUPPLY BOARD CIRCUIT DIAGRAM

目次

スペック 2、3
 パネル配置図 3
 分解図 4
 分解図パーツリスト 5
 パーツリスト (SRA-260) 5、6
 パーツリスト (SRA-540) 7、8
 パーツリスト (SRA-800) 9、10
 ヒューズ対応表 11
 アイドリング電圧調整仕様 11
 フィルターの洗浄のしかた 11
 付録 12
 MT BOARD ASSY 13
 POWER SUPPLY BOARD ASSY 14
 XLR BOARD ASSY 14
 TR BOARD ASSY 15
 回路解説 15
 配線図 16
 MT BOARD XLR BOARD 回路図 17、18
 TR BOARD 回路図 19
 POWER SUPPLY BOARD 回路図 20



Copyright © 1997 by ROLAND CORPORATION

All rights reserved. No part of this publication may be reproduced in any form without the written permission of ROLAND CORPORATION.

本書の一部、もしくは全部を無断で複写・転載することを禁じます。

SPECIFICATIONS

	SRA-260	SRA-540	SRA-800
Rated Output	130 W x 2 (stereo, 8 Ω load, 1 kHz, 1% or less THD) 120 W x 2 (stereo, 8 Ω load, 20 Hz to 20 kHz, 0.1% or less THD) 210 W x 2 (stereo, 4 Ω load, 1 kHz, 1% or less THD) 200 W x 2 (stereo, 4 Ω load, 20 Hz to 20 kHz, 0.1% or less THD) 420 W (BTL, 8 Ω load, 1 kHz, 1% or less THD) 400 W (BTL, 8 Ω load, 20 Hz to 20 kHz, 0.1% or less THD)	270 W x 2 (stereo, 8 Ω load, 1 kHz, 1% or less THD) 240 W x 2 (stereo, 8 Ω load, 20 Hz to 20 kHz, 0.1% or less THD) 425 W x 2 (stereo, 4 Ω load, 1 kHz, 1% or less THD) 400 W x 2 (stereo, 4 Ω load, 20 Hz to 20 kHz, 0.1% or less THD) 850 W (BTL, 8 Ω load, 1 kHz, 1% or less THD) 800 W (BTL, 8 Ω load, 20 Hz to 20 kHz, 0.1% or less THD)	400 W x 2 (stereo, 8 Ω load, 1 kHz, 1% or less THD) 360 W x 2 (stereo, 8 Ω load, 20 Hz to 20 kHz, 0.1% or less THD) 650 W x 2 (stereo, 4 Ω load, 1 kHz, 1% or less THD) 600 W x 2 (stereo, 4 Ω load, 20 Hz to 20 kHz, 0.1% or less THD) 1300 W (BTL, 8 Ω load, 1 kHz, 1% or less THD) 1200 W (BTL, 8 Ω load, 20 Hz to 20 kHz, 0.1% or less THD)
Recommended Load Impedance	4 Ω or greater (stereo) 8 Ω or greater (BTL)		
Frequency Response	10 Hz to 50 kHz (+0 / -1 dB, 1 W / 8 Ω)		
Power Band Width	10 Hz to 30 kHz (stereo, 8 Ω load, half power, 0.2 % or less THD)		
Total Harmonic Distortion	0.01 % or less (stereo, 8 Ω load, 1 kHz, half power)		
Signal-to-Noise Ratio	105 dB or greater (Input terminated with 150 Ω, IHF-A weighted)		
Damping Factor	150 or greater (8 Ω load, 1 kHz)		
Channel Separation	80 dB or greater (8 Ω load, 1 kHz, half power, IHF-A weighted)		
Slew Rate	20 V / μsec or greater (stereo, 8 Ω load)		
Input Sensitivity	+4 dBm (Balanced / Unbalanced) (120 W / 8 Ω, 1 kHz)	+4 dBm (Balanced / Unbalanced) (240 W / 8 Ω, 1 kHz)	+4 dBm (Balanced / Unbalanced) (360 W / 8 Ω, 1 kHz)
Input Impedance	10 kΩ (Balanced / Unbalanced)		
Non-Clip Max Input Level	+24 dBm (Balanced / Unbalanced)		
Protection	Power ON / OFF Muting DC Protection Thermal Protection PC Limiter		
Cooling Fan	Thermal Switching Two-Speed Fan (Front: intake)	Thermal Switching Two-Speed Fans x2 (Front: intake, Rear: exhaust)	
Controls	Attenuators (41 position) x2 (A, B) Power Switch Mode Switch (STEREO / BTL) GND Switch (XLR 1 pin GND / LIFT)	Attenuators (41 position) x2 (A, B) Power Switch Mode Switch (STEREO / BTL) Limiter Switch GND Switch (XLR 1 pin GND / LIFT)	
Indicators	Protection Indicators x2 (A, B) Clip Indicators x 2 (A, B) Signal Indicators x 2 (A, B) Power Indicator		
Connectors	Input Jacks (1 / 4 inch TRS phone type) x 2 (A, B) Input Connectors (XLR-3-31 type) x 2 (A, B)* Input Terminal (Barrier Strip) x 2 (A, B) Speaker Terminals (Binding Post) x 2 (A, B) Ground Terminal * 1: GND, 2: HOT, 3: COLD		
Power Supply	AC 117 V, AC 230 V (50 / 60 Hz)		
Power Consumption	400 W (AC 117 V, AC 230 V)	750 W (AC 117 V, AC 230 V)	1050 W (AC 117 V, AC 230 V)
Dimensions	482 (W) x 442 (D) x 88 (H) mm 19 (W) x 17-7/16 (D) x 3-1/2 inches (EIA-2U rack mount type)		482 (W) x 447 (D) x 132 (H) mm 19 (W) x 17-5/8 (D) x 5-1/4 inches (EIA-3U rack mount type)
Weight	12.5 kg / 27 lbs 9 oz	15.0 kg / 33 lbs 2 oz	18.5 kg / 40 lbs 13 oz
Accessory	Owner's Manual English (PNo.SH000380)		
Articles of Consumption	SRA-260/540/800 Dust Filter (PNo.SH000426)		

* Half Power = 60 W (SRA-260), 120 W (SRA-540), 180 W (SRA-800)

* 0 dBm = 0.775 Vrms

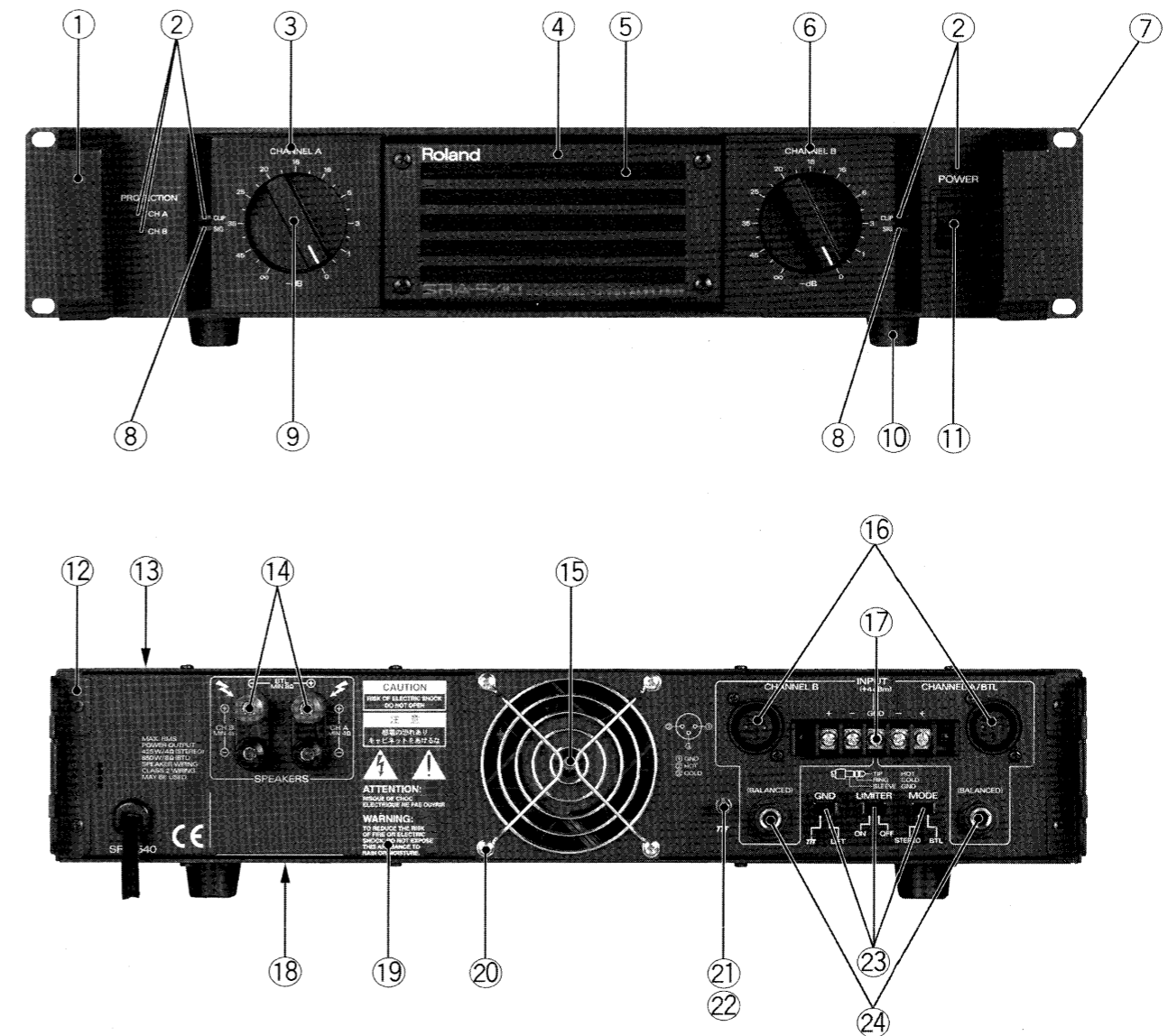
* In the interest of product improvement, the specifications and/or appearance of this unit are subject to change without prior notice.

スペック

	SRA-260	SRA-540	SRA-800
定格出力	130W×2 (ステレオ8Ω負荷、1kHz、1%THD以下) 120W×2 (ステレオ8Ω負荷、20Hz~20kHz、0.1%THD以下) 210W×2 (ステレオ4Ω負荷、1kHz、1%THD以下) 200W×2 (ステレオ4Ω負荷、20Hz~20kHz、0.1%THD以下) 420W (BTL8Ω負荷、1kHz、1%THD以下) 400W (BTL8Ω負荷、20Hz~20kHz、0.1%THD以下)	270W×2 (ステレオ8Ω負荷、1kHz、1%THD以下) 240W×2 (ステレオ8Ω負荷、20Hz~20kHz、0.1%THD以下) 425W×2 (ステレオ4Ω負荷、1kHz、1%THD以下) 400W×2 (ステレオ4Ω負荷、20Hz~20kHz、0.1%THD以下) 850W (BTL8Ω負荷、1kHz、1%THD以下) 800W (BTL8Ω負荷、20Hz~20kHz、0.1%THD以下)	400W×2 (ステレオ8Ω負荷、1kHz、1%THD以下) 360W×2 (ステレオ8Ω負荷、20Hz~20kHz、0.1%THD以下) 650W×2 (ステレオ4Ω負荷、1kHz、1%THD以下) 600W×2 (ステレオ4Ω負荷、20Hz~20kHz、0.1%THD以下) 1300W (BTL8Ω負荷、1kHz、1%THD以下) 1200W (BTL8Ω負荷、20Hz~20kHz、0.1%THD以下)
推奨負荷インピーダンス	4Ω以上 (ステレオ・モード) 8Ω以上 (BTLモード)		
周波数特性	10Hz~50kHz (+0/-1dB、1W/8Ω)		
出力帯域幅	10Hz~30kHz (ステレオ8Ω負荷、ハーフ・パワー、0.2%THD以下)		
全高調波歪率	0.01%以下 (ステレオ8Ω負荷、1kHz、ハーフ・パワー)		
SN比	105dB以上 (入力150Ωターミネート、IHF-A)		
ダンピング・ファク	150以上 (ステレオ8Ω負荷、1kHz)		
チャンネル・セパレーション	80dB以上 (8Ω負荷、1kHz、ハーフ・パワー、IHF-A)		
スルー・レイ	20V/μsec以上 (ステレオ8Ω負荷)		
入力感度	+4dBm (バランス/アンバランス) (120W/8Ω、1kHz)	+4dBm (バランス/アンバランス) (240W/8Ω、1kHz)	+4dBm (バランス/アンバランス) (360W/8Ω、1kHz)
入力インピーダンス	10kΩ (バランス/アンバランス)		
ノンクリップ最大入力レベル	+24dBm (バランス/アンバランス)		
プロテクション	パワー・スイッチ ON/OFF ミューティング DCプロテクション サーマル・プロテクション PCRリミッター		
冷却ファン	2スピード温度追従型 (前面ファン吸気)	2スピード温度追従型×2 (前面ファン吸気、背面ファン排気)	
コントロール	アッテネーター (41ポジション) X2 (A,B) 電源スイッチ モード・スイッチ (STEREO/BTL) グラウンド・スイッチ (XLR 1pin GND/LIFT)	アッテネーター (41ポジション) X2 (A,B) 電源スイッチ モード・スイッチ (STEREO/BTL) リミッター・スイッチ グラウンド・スイッチ (XLR 1pin GND/LIFT)	
インジケータ	プロテクション・インジケータ×2 (A,B) クリップ・インジケータ×2 (A,B) シグナル・インジケータ×2 (A,B) パワー・インジケータ		
接続端子	インプット・ジャック (TRS標準タイプ) ×2 (A,B) インプット・コネクタ (XLR-3-31タイプ) ×2 (A,B) * インプット・ターミナル (ネジ端子) ×2 (A,B) スピーカー・ターミナル (バイディング・ポスト) ×2 (A,B) グラウンド・ターミナル * 1:GND、2:HOT、3:COLD		
電源	AC 100V (50/60Hz)		
消費電力	285W	500W	700W
外形寸法	482(幅)×442(奥行)×88(高さ) mm (ゴム足含まず) (EIA-2Uラック・マウント・タイプ)		482(幅)×447(奥行)×132(高さ) mm (ゴム足含まず) (EIA-3Uラック・マウント・タイプ)
重量	12.5kg	15.0kg	18.5kg
付属品	取扱説明書 日本語 (PNo.SH000374)		
消耗品	SRA-260/540/800交換用フィルター (PNo.SH000426)		
別売品	システム・ラック SYRシリーズ ハード・ケース TBシリーズ		

※ ハーフ・パワー=60W (SRA-260)、120W (SRA-540)、180W (SRA-800)
 ※ 0dBm=0.775Vrms
 ※ 製品の仕様及び外観は、改良のため予告なく変更することがあります。

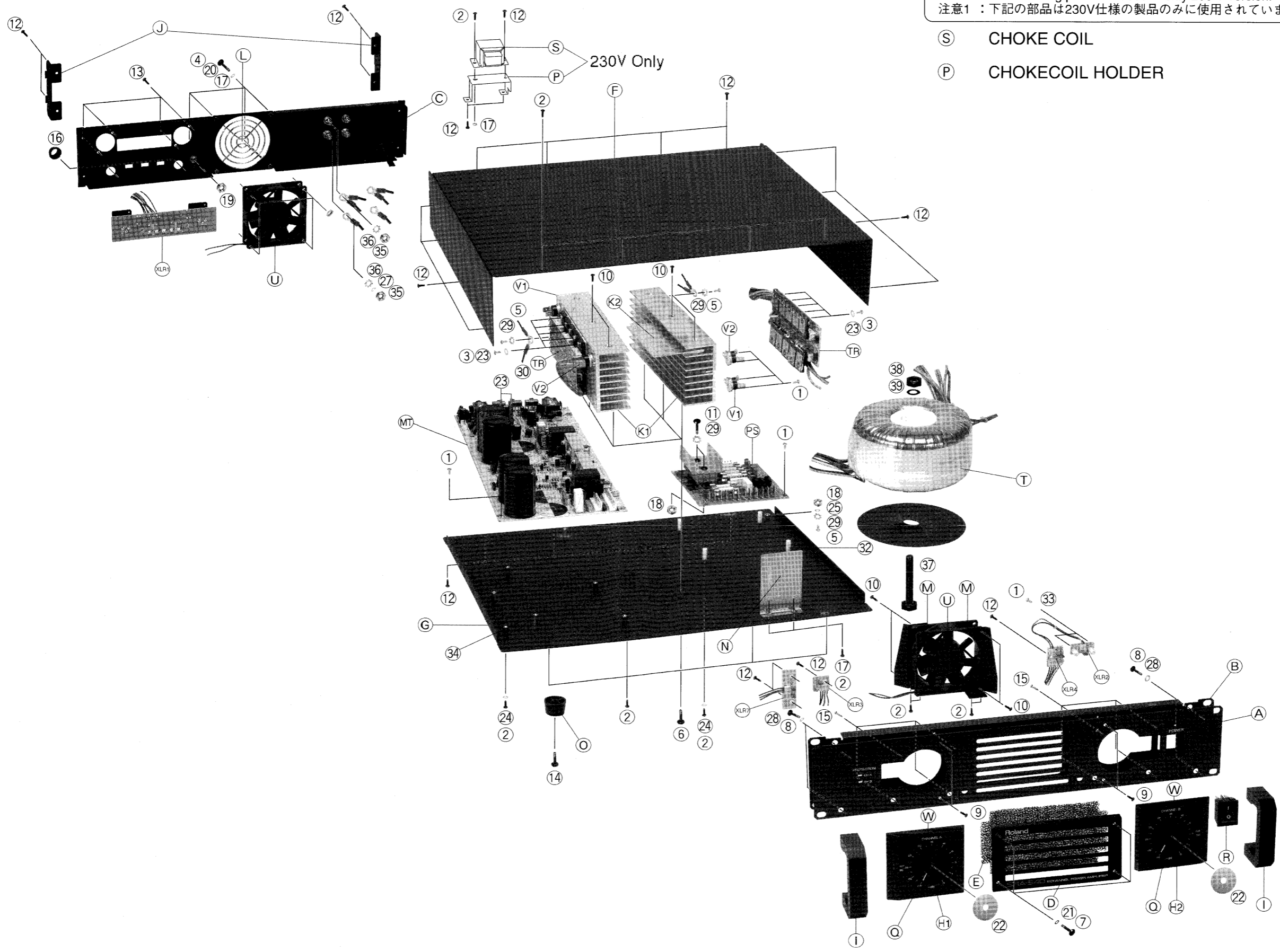
SRA-260/540/800 LOCATION OF CONTROLS / パネル配置図



[PARTS]

No.	PART No.	PART NAME	No.	PART No.	PART NAME
①	SH000526	FRONT HANDLE	⑮	SH000510	SRA-260/540 MOTOR FAN
②	SH000469	LED 2*5 RED	⑯	SH000511	SRA-800 MOTOR FAN
③	01126656	FRONT COVER CH-A	⑰	SH000478	XLR CONNECTOR
④	SH000517	SRA-260 GRILL	⑱	SH000486	BARRIER STRIP
	SH000518	SRA-540 GRILL	⑲	SH000524	SRA-260/540/800 BOTTOM COVER
	SH000519	SRA-800 GRILL	⑲	SH000520	SRA-260 REAR PANEL
⑤	SH000426	SRA-260/540/800 DUST FILTER		SH000573	SRA-540 REAR PANEL
⑥	01126690	FRONT COVER CH-B		SH000521	SRA-800 REAR PANEL
⑦	SH000515	SRA-260/540 FRONT PANEL	⑳	SH000533	SRA-260/540 FINGER GUARD
	SH000516	SRA-800 FRONT PANEL		SH000534	SRA-800 FINGER GUARD
⑧	SH000470	LED 2*5 GREEN	㉑	SH000560	GROUND TERMINAL EARTH BOSS 2+5 NI
⑨	22485289	F R-KNOB K BLK/LCG	㉒	SH000561	GROUND TERMINAL EARTH BOSS 10+5 NI
⑩	SH000305	FOOT	㉓	SH000473	SLIDE SWITCH SSFZ22-07
⑪	SH000474	POWER SWITCH JS-3061 W/O LAMP	㉔	SH000477	PHONE JACK 6D3/J RPJ-02
⑫	SH000537	SRA-260/540 BRACKET			
⑬	SH000523	SRA-260/540 TOP COVER			
	SH000522	SRA-800 TOP COVER			
⑭	SH000485	BINDING POST			

EXPLODED VIEW / 分解図



NOTE1: The following parts are used in only 230 V version.
 注意1 : 下記の部品は230V仕様の製品のみに使用されています。

- Ⓢ CHOKE COIL
- Ⓟ CHOKECOIL HOLDER

230V Only

EXPLODED VIEW PARTS LIST / 分解図パーツリスト

[PARTS]		[SCREW]	
No.	PART No.	Part Name	No. PART No.
(A)	SH000515	SRA-260/540 FRONT PANEL	① 40230589
	SH000516	SRA-800 FRONT PANEL	② 40010245
(B)	SH000535	SRA-260/540 FRONT SUB PANEL	③ 40230590
	SH000536	SRA-800 FRONT SUB PANEL	④ 40010278
(C)	SH000520	SRA-260 REAR PANEL	⑤ 40015978
	SH000573	SRA-540 REAR PANEL	⑥ 40010345
	SH000521	SRA-800 REAR PANEL	⑦ 40019067
(D)	SH000517	SRA-260 GRILL	⑧ SH000556
	SH000518	SRA-540 GRILL	⑨ 40010501
	SH000519	SRA-800 GRILL	⑩ SH000555
(E)	SH000426	SRA-260/540/800 DUST FILTER	⑪ 40010134
(F)	SH000523	SRA-260/540 TOP COVER	⑫ 40010901
	SH000522	SRA-800 TOP COVER	⑬ 40010912
(G)	SH000524	SRA-260/540/800 BOTTOM COVER	⑭ SH000557
(H1)	01126656	FRONT COVER CH-A	⑮ 40010712
(H2)	01126690	FRONT COVER CH-B	⑯ 22150756
(I)	SH000526	FRONT HANDLE	⑰ 40011789
(J)	SH000537	SRA-260/540 BRACKET	⑱ 40019056
	SH000525	REAR HANDLE (SRA-800)	⑲ SH000558
(K1)	SH000530	SRA-260/540 HEATSINK	⑳ 40127023
	SH000527	SRA-800 HEATSINK	㉑ 40011989
(K2)	SH000531	HEATSINK LINK PLATE	㉒ SH000559
(L)	SH000533	FINGER GUARD (SRA-260/540)	㉓ 40011801
	SH000534	FINGER GUARD (SRA-800)	㉔ 40125934
(M)	SH000540	FAN HOLDER (SRA-260/540)	㉕ 40230023
	SH000542	FAN HOLDER (SRA-800)	㉖ 40230045
(N)	SH000543	SHIELD PLATE VR/TRANS	㉗ 40230034
(O)	SH000305	FOOT	㉘ 40230067
(P)	SH000538	CHOKO COIL HOLDER (230V)	㉙ 40011889
(Q)	22485289	F R-KNOB K BLK/LCG	⑳ 22150510
(R)	SH000474	POWER SW	㉑ SH000563
(MT)	SH000565	SRA-260 MT BOARD ASSY	㉒ SH000564
	SH000566	SRA-540 MT BOARD ASSY	㉓ SH000562
	SH000567	SRA-800 MT BOARD ASSY	㉔ 22150501
(TR)	SH000568	SRA-260 TR BOARD ASSY	㉕ 40129890
	SH000569	SRA-540 TR BOARD ASSY	㉖ 40011890
	SH000570	SRA-800 TR BOARD ASSY	
(XR1)		XLR BOARD	
(XR2)		POWER LED BOARD	
(XR3)		CH-A CLIP/SIG LED BOARD	
(XR4)		SCH-B CLIP/SIG LED BOARD	
(XR5)		CH-A VR BOARD	
(XR6)		CH-B VR BOARD	
(XR7)		PROTECTION LED BOARD	
(FS)	SH000572	SRA-260 POWER SUPPLY BOARD	
	SH000574	SRA-540 POWER SUPPLY BOARD	
	SH000575	SRA-800 POWER SUPPLY BOARD	
(S)	SH000459	CHOKO COIL (SRA-260/540 230V)	
	SH000461	CHOKO COIL (SRA-800 230V)	
(T)	SH000463	POWER TRANS SRA-260 (100V/117V/230V)	
	SH000460	POWER TRANS SRA-540 (100V/117V/230V)	
	SH000462	POWER TRANS SRA-800 (100V/117V/230V)	
(U)	SH000510	MOTOR FAN (SRA-260/540)	
	SH000511	MOTOR FAN (SRA-800)	
(V1)	SH000475	THERMOSTAT FAN SW	
(V2)	SH000476	THERMOSTAT CH-A/B RELAY	
(W)	SH000544	ORIGINAL VR SHIELD PLATE	

PARTS LIST / パーツリスト (SRA-260)

<p>SAFETY PRECAUTIONS:</p> <p>The parts marked Δ have safety-related characteristics.</p> <p>Use only listed parts for replacement.</p> <p>安全上の注意:</p> <p>Δが付いている部品は、安全上特別な規格でつくられたものです。</p> <p>交換の際は、注意をよく読み、指定された部品番号以外の部品は使わないようにして下さい。</p> <p>NOTE: The parts marked # are new. (initial parts) 注意: #が付いた部品は新規部品です。</p>	<p>CONSIDERATIONS ON PARTS ORDERING</p> <p>When ordering any parts listed in the parts list, please specify the following items in the order sheet.</p> <table border="1"> <thead> <tr> <th>QTY</th> <th>PART NUMBER</th> <th>DESCRIPTION</th> <th>MODEL NUMBER</th> </tr> </thead> <tbody> <tr> <td>Ex. 10</td> <td>22575241</td> <td>Sharp Key</td> <td>C-20/50</td> </tr> <tr> <td>15</td> <td>2247017300</td> <td>Knob (orange)</td> <td>DAC-15D</td> </tr> </tbody> </table> <p>Failure to completely fill the above items with correct number and description will result in delayed or even undelivered replacement.</p> <p>パーツ発注に関するお願い</p> <p>オーダーシートには、必ず下記の4項目は正確に記入して下さい。(例外は除く)</p> <table border="1"> <thead> <tr> <th>必要数</th> <th>パーツナンバー</th> <th>品名</th> <th>使用機種</th> </tr> </thead> <tbody> <tr> <td>例) 10</td> <td>22575241</td> <td>Sharp Key</td> <td>C-20/50</td> </tr> <tr> <td>15</td> <td>2247017300</td> <td>Knob (orange)</td> <td>DAC-15D</td> </tr> </tbody> </table> <p>もし記入漏れ、誤記等がある場合、必要部品が発送出来なかつたり、大幅な遅れの原因になります。御協力をお願いします。</p>	QTY	PART NUMBER	DESCRIPTION	MODEL NUMBER	Ex. 10	22575241	Sharp Key	C-20/50	15	2247017300	Knob (orange)	DAC-15D	必要数	パーツナンバー	品名	使用機種	例) 10	22575241	Sharp Key	C-20/50	15	2247017300	Knob (orange)	DAC-15D
QTY	PART NUMBER	DESCRIPTION	MODEL NUMBER																						
Ex. 10	22575241	Sharp Key	C-20/50																						
15	2247017300	Knob (orange)	DAC-15D																						
必要数	パーツナンバー	品名	使用機種																						
例) 10	22575241	Sharp Key	C-20/50																						
15	2247017300	Knob (orange)	DAC-15D																						

MB->MAIN BOARD IB->IN JK BOARD
VB->VR BOARD OB->OUT JK BOARD

CASING / ケース

#	Part No.	Part Name	Part Name	Part No.
#	SH000515	SRA-260/540 FRONT PANEL	PANEL SRA260/540	510-20440-000-0
#	SH000535	SRA-260/540 FRONT SUB PANEL	CHASSIS SRA260/540	550-20020-200-0
#	SH000520	SRA-260 REAR PANEL	BACK PANEL SRA260	511-20290-000-0
#	SH000517	SRA-260 GRILL	METAL DUST COVER SRA260	510-20450-000-0
#	SH000426	SRA-260/540/800 DUST FILTER	PU FOAMER FILTER 150*75	566-10022-000-0
#	SH000523	SRA-260/540 TOP COVER	TOP COV. MAR2	516-10130-100-0
#	SH000524	SRA-260/540/800 BOTTOM COVER	BOT COV. MAR2	517-10670-100-0
#	01126656	FRONT COVER CH-A		
#	01126690	FRONT COVER CH-B		
#	SH000526	FRONT HANDLE	HANDLE M6 P=70 Roland BLK	524-20003-010-0
#	SH000537	SRA-260/540 BRACKET	BACK BRKT MAR350 BLK	551-10072-200-0
#	SH000530	SRA-260/540 HEATSINK	HEATSINK MAR2	526-10054-110-0
#	SH000531	HEATSINK LINK PLATE	LINK HEATSINK	526-10056-110-0
#	SH000533	FINGER GUARD (SRA-260/540)	FAN NET WHT PWA2200 8inch	528-00000-000-0
#	SH000540	FAN HOLDER (SRA-260/540)	FAN FIXED MAR2 BLK	552-10174-200-0
#	SH000543	SHIELD PLATE VR/TRANS	VR INSULATOR PLATE MAR2	553-10032-480-0
#	SH000305	FOOT	FEET D25*16 FFT-3	525-00019-020-0
#	SH000538	CHOKO COIL HOLDER (230V)	CHOKO FIXTURE SRA/MAR	551-20037-100-0

KNOB, BUTTON / ツマミ, ボタン

22485289	F R-KNOB K BLK/LCG
----------	--------------------

SWITCH / スイッチ

#	Part No.	Part Name	Part Name	Part No.
#	SH000474	POWER SW	SSA/SW JS-3061 W/O LAMP	210-03201-070-0
#	SH000473	SLIDE SW	SLD/SW SSFZ22-07	210-01202-050-0

JACK, SOCKET / ジャック, ソケット

#	Part No.	Part Name	Part Name	Part No.
#	SH000478	XLR CONNECTOR	XLR/J 94M-007P	211-03300-160-0
#	SH000477	PHONE JACK	6D3/J RPJ-02	211-01602-260-0
#	SH000486	BARRIER STRIP	BARRIER JACK HD-102H 5 POLE	211-24500-001-0
#	SH000485	BINDING POST	BINDING POST BP-47-2P	211-17000-410-0

PCB ASSY / 基板完成品

#	Part No.	Part Name	Part Name	Part No.
#	SH000565	SRA-260 MT BOARD ASSY	SRA260 PCB-A ASSY	F34-00000-001-3
#	SH000568	SRA-260 TR BOARD ASSY	SRA260 PCB-B ASSY	F34-00000-003-3

NOTE: POWER TRANSISTOR is not included in TR BOARD ASSY.
注意: TR BOARD ASSY には POWER TRANSISTOR は含まれません。

#	SH000571	SRA XLR BOARD ASSY	SRA SERIES PCB-C ASSY	F34-00000-004-1
---	----------	--------------------	-----------------------	-----------------

NOTE: Replacement XLR BOARD ASSY consists of the following 7PCBs.

- 注意: 補修用 XLR BOARD ASSY は下記の7基板から構成されます。
- XLR BOARD
 - POWER LED BOARD
 - CH-A CLIP/SIG LED BOARD
 - CH-B CLIP/SIG LED BOARD
 - CH-A VR BOARD
 - CH-B VR BOARD
 - PROTECTION LED BOARD

#	SH000572	POWER SUPPLY BOARD(100/117/230V)	SRA-260 PCB-E ASSY	*****
---	----------	----------------------------------	--------------------	-------

NOTE: POWER SUPPLY BOARD includes the FUSE. This FUSE is usable between the products of 100V, 117V and 230V version.

注意: POWER SUPPLY BOARDには FUSE が含まれます。この FUSE はすべての電圧仕様の製品共通です。

IC / 集積回路

15189112	LF353N OP AMP
15189251	M5218AP OP AMP
15199133	AN7815F +15V VOLTAGE REGULATOR
15199134	AN7815F -15V VOLTAGE REGULATOR

TRANSISTER/トランジスター

Table with 4 columns: Part No., Description, Manufacturer, and Reference No. for various transistor models like 15119714, 15129722, etc.

DIODE/ダイオード

Table with 4 columns: Part No., Description, Manufacturer, and Reference No. for various diode models like SH000202, SH000201, etc.

RESISTOR/抵抗

Table with 4 columns: Part No., Description, Manufacturer, and Reference No. for various resistor models like SH000431, SH000432, etc.

POTENTIOMETER/ポリューム

Table with 4 columns: Part No., Description, Manufacturer, and Reference No. for potentiometer models like SH000447, SH000446.

CAPACITOR/コンデンサー

Table with 4 columns: Part No., Description, Manufacturer, and Reference No. for various capacitor models like SH000398, SH000449, etc.

INDUCTOR, COIL, FILTER/インダクタ, コイル, フィルター

Table with 4 columns: Part No., Description, Manufacturer, and Reference No. for inductor/coil/filter models like SH000197, SH000459.

IRELAY/リレー

Table with 2 columns: Part No. and Description for relay model 12439231.

FUSE, FUSE HOLDER/ヒューズ、ヒューズ・ホルダー

Table with 4 columns: Part No., Description, Manufacturer, and Reference No. for various fuse and holder models like SH000503, SH000412, etc.

CONNECTOR/コネクタ

Table with 4 columns: Part No., Description, Manufacturer, and Reference No. for various connector models like SH000230, SH000035, etc.

WIRING, CABLE/ワイヤリング, ケーブル

Table with 4 columns: Part No., Description, Manufacturer, and Reference No. for various wiring/cable models like SH000488, SH000489, etc.

Table with 4 columns: Part No., Description, Manufacturer, and Reference No. for wiring/cable models like SH000496, SH000497, etc.

TRANSFORMER/トランス

Table with 4 columns: Part No., Description, Manufacturer, and Reference No. for transformer model SH000463.

AC CORD/ACコード

Table with 4 columns: Part No., Description, Manufacturer, and Reference No. for AC cord models like SH000176, SH000285, etc.

SCREW/ネジ類

Table with 4 columns: Part No., Description, Manufacturer, and Reference No. for various screw types like 40230589, 40010245, etc.

PACKING CASE/梱包材

Table with 4 columns: Part No., Description, Manufacturer, and Reference No. for packing case models like SH000545, SH000548, etc.

MISCELLANEOUS/その他

Table with 4 columns: Part No., Description, Manufacturer, and Reference No. for miscellaneous items like SH000510, SH000444, etc.

ACCESSORIES(Standard)/標準付属品

Table with 4 columns: Part No., Description, Manufacturer, and Reference No. for accessories like SH000374, SH000380.

WIRING, CABLE/ワイヤリング, ケーブル

#	SH000488	WIRING CH-A SPEAKER GND (1P)	1P WAFER/P 170MM	212-10010-550-0
#	SH000489	WIRING CH-B SPEAKER GND (1P)	1P WAFER/P 300MM	212-10010-560-0
#	SH000490	WIRING AC CORD 3P GND (1P)	1P WAFER/P 60MM GRN	212-10010-571-0
#	SH000487	WIRING AC CORD (1P)	1P WAFER/P 150MM	212-10010-541-0
#	SH000492	WIRING POWER LED (2P)	2P WAFER/P 120MM	212-10022-610-0
#	SH000491	WIRING AC CORD/POWER SW (2P)	2P WAFER/P 300MM	212-10022-601-0
#	SH000493	WIRING POWER SW (2P)	2P WAFER/P 300MM	212-10022-621-0
#	SH000494	WIRING PROTECTION LED (3P)	3P WAFER/P 400MM	212-10032-170-0
#	SH000495	WIRING CH-A VR/LED (7P)	7P WAFER/P 450MM	212-10070-430-0
#	SH000496	WIRING XLR CONNECTOR (8P)	8P WAFER/P 140MM	212-10080-340-0
#	SH000497	WIRING CH-A POWER BLOCK (8P)	8P WAFER/P 400MM	212-10080-350-0
#	SH000498	WIRING CH-B POWER BLOCK (8P)	8P WAFER/P 650MM	212-10080-360-0
#	SH000499	WIRING CH-B VR/LED (9P)	9P WAFER/P 750MM	212-10090-260-0
#	SH000500	WIRING CH-A TR BOARD (11P)	11P WAFER/P 800MM	212-10110-090-0
#	SH000501	WIRING CH-B TR BOARD (11P)	11P WAFER/P 350MM	212-10110-100-0

TRANSFORMER/トランス

#	△	SH000460	POWER TRANS SRA-540 (100V/117V/230V)	X'MER MAR4/SRA540	070-2027B-800-0B-800-0
---	---	----------	--------------------------------------	-------------------	------------------------

AC CORD/ACコード

#	△	SH000514	AC CORD SRA-540/800 (100V)	P/CORD 100V 15A 2.5*2P JIS	370-24810-602-0
#	△	SH000512	AC CORD SRA-540/800 (117V)	P/CORD 120V 20A 2.5*3P UL/CSA	370-08810-702-0
#	△	SH000513	AC CORD SRA-540/800 (230V)	P/CORD 230V 15A 2.5*3P CE	370-23610-902-0

SCREW/ネジ類

		40230589	BINDING MACHINE SCREW M3*6 NI		
		40010245	BINDING MACHINE SCREW M3*6 BZC		
		40230590	BINDING MACHINE SCREW M3*10 NI		
		40010278	BINDING MACHINE SCREW M3*12 BZC		
		40015978	BINDING MACHINE SCREW M4*8 ZC		
		40010345	BINDING MACHINE SCREW M4*10 BZC		
		40019067	BINDING MACHINE SCREW M4*15 BZC		
#		SH000556	BINDING MACHINE SCREW M6*15 BZC	M/E SET SCR. M6.0*15 BLK	590-56015-200-0
		40010501	FLAT MACHINE SCREW M3*6 BZC		
#		SH000555	PAN MACHINE SCREW M3*8 BZC	M/E PAN SCR. M3.0*8 BLK	590-43008-200-0
		40010134	TRUSS MACHINE SCREW M4*20 BZC		
		40010901	BINDING TAPPING B1 3*6 BZC		
		40010912	BINDING TAPPING B1 3*8 BZC		
#		SH000557	BINDING TAPPING B1 4*12 BZC	T/P SET SCR. D4.0*12 BLK	591-54012-200-0
		40010712	BINDING TAPPING A 3*8 ZC		
		22150756	JACK NUT 2		
		40011789	HEX NUT M3 ZC		
		40019056	HEX NUT M4 ZC		
		40129890	HEX NUT M5 ZC		
#		SH000558	HEX NUT M6 NI	HEX. NUT M6.0*2.0 NI	600-00602-010-0
		40127023	PLAIN WASHER 3*8*0.5 ZC		
		40011989	PLAIN WASHER 4*10*0.8 BZC		
#		SH000559	ORIGINAL PLAIN VR WASHER	PLA WAS. D7.3*D29.8*0.3	610-00730-306-0
		40011801	SPRING WASHER M3 ZC		
		40125934	SPRING WASHER M3 BZC		
		40230023	SPRING WASHER M4 ZC		
		40230045	SPRING WASHER M4 BZC		
		40230034	SPRING WASHER M5 ZC		
		40230067	SPRING WASHER M6 NI		
		40011889	EXT TOOTH WASHER M4 ZC		
		40011890	EXT TOOTH WASHER M5 ZC		

PACKING CASE/梱包材

#		SH000546	SRA-540 OUTER PACKING CASE	CARTON 550*525*190 SRA540	560-10910-400-0
#		SH000549	SRA-540 INNER PACKING CASE	G/B 535*510*165 SRA540	561-10870-400-0
#		SH000551	SRA-260/540 PAD	SIDE EPE 505*155*100 260/540	567-20013-000-0

MISCELLANEOUS/その他

#		SH000510	MOTOR FAN (SRA-260/540)	FAN SP802524H 24VDC	347-00000-200-0
		SH000180	PHOTOCOUPLER P873-G35-552	CDS P873-G35-552 HAMAMATSU	010-00001-010-0
#	△	SH000445	THERMISTOR (SRA-540/800)	NTC THERMISTOR N15SP2R5L	012-250B0-010-0
#		SH000443	THERMISTOR TDC05A045L	THERMISTOR TDC05A045L	011-450A0-000-0
#	△	SH000475	THERMOSTAT FAN SW	TMP/SW US-602SYTFBL 50/40	210-10050-020-0
#	△	SH000476	THERMOSTAT CH-A/B RELAY	TMP/SW US-602SXTFBL 85/75	210-10085-010-0
		SH000078	RADIATION SHEET TO-220	RUBBER WASHER TO-2203	313-00000-060-0
		SH000079	TRANSISTOR NYLON WASHER	BUSHES 602S(V.O)	314-00000-050-0
#		SH000528	HEATSINK TO-220	TRAN. HEATSINK MAR2	526-10050-110-0
#		SH000529	HEATSINK BRIDGE DIODE	U-HEATSINK MAR2	526-10053-110-0
#		SH000544	ORIGINAL VR SHIELD PLATE	VR FIXTURE PLATE	553-20003-400-0
#	△	SH000309	AC CORD BUSH (100V/230V)	STR.REL BUSHING 6W3-4 R	527-11000-000-0
#	△	SH000532	AC CORD BUSH (117V)	STR.REL BUSHING 6W3-4 S	527-14000-000-0
#		SH000509	NYLON WIRE JOINT	CORD CONNECTOR C5	307-00000-070-0
#		SH000541	COATING CLIP	LOCKING CABLE FIXED WC-11	552-10174-480-0
		22150510	STANDOFF M3 L35C (METAL)		
#		SH000563	STANDOFF M3 L17 (RESIN)	HEX. BOSS L=17 M3 (H-17)	615-10053-620-0
#		SH000564	STANDOFF M3 L15 (RESIN)	HEX. BOSS L=15 M3 (H-15)	615-20039-620-0
#		SH000562	STANDOFF M3 L10 (RESIN)	HEX. BOSS L=10 (H-10S)	615-10032-620-0
		22150501	STANDOFF M3 L10C (METAL)		
#		SH000560	GROUND TERMINAL	EARTH BOSS 2+5 NI	615-10001-130-0
#		SH000561	GROUND TERMINAL	EARTH BOSS 10+5 NI	615-10002-130-0

ACCESSORIES(Standard)/標準付属品

#		SH000374	OWNER'S MANUAL (JAPANESE)	OWN.MANU. SRA SERIES (JAPANESE)	574-00004-330-0
#		SH000380	OWNER'S MANUAL (ENGLISH)	OWN.MANU. SRA SERIES (ENGLISH)	574-00004-310-0

PARTS LIST/パーツリスト (SRA-800)

SAFETY PRECAUTIONS:

The parts marked △ have safety-related characteristics. Use only listed parts for replacement.

安全上の注意:

△が付いている部品は、安全上特別な規格でつくられたものです。交換の際は、注意をよく読み、指定された部品番号以外の部品は使わないようにして下さい。

NOTE: The parts marked # are new. (initial parts) 注意: #が付いた部品は新規部品です。

CONSIDERATIONS ON PARTS ORDERING

When ordering any parts listed in the parts list, please specify the following items in the order sheet.

Table with columns: QTY, PART NUMBER, DESCRIPTION, MODEL NUMBER. Example row: 10, 22575241, Sharp Key, C-20/50.

Failure to completely fill the above items with correct number and description will result in delayed or even undelivered replacement.

パーツ発注に関するお願い

オーダーシートには、必ず下記の4項目は正確に記入して下さい。(例外は除く)

Table with columns: 必要数, パーツナンバー, 品名, 使用機種. Example row: 10, 22575241, Sharp Key, C-20/50.

もし記入漏れ、誤記等がある場合、必要部品が発送出来なかったり、大幅な遅れの原因になります。御協力をお願いします。

MB->MAIN BOARD IB->IN JK BOARD VB->VR BOARD OB->OUT JK BOARD

CASING/ケース

Table listing casing parts: SH000516 SRA-800 FRONT PANEL, SH000536 SRA-800 FRONT SUB PANEL, etc.

KNOB, BUTTON/ツマミ, ボタン

Table listing knob/button parts: 22485289 F R-KNOB K BLK/LCG

SWITCH/スイッチ

Table listing switch parts: SH000474 POWER SW, SH000473 SLIDE SW

JACK, SOCKET/ジャック, ソケット

Table listing jack/socket parts: SH000478 XLR CONNECTOR, SH000477 PHONE JACK, etc.

PCB ASSY/基板完成品

Table listing PCB assembly parts: SH000567 SRA-800 MT BOARD ASSY, SH000570 SRA-800 TR BOARD ASSY

NOTE: POWER TRANSISTOR is not included in TR BOARD ASSY. 注意: TR BOARD ASSY には POWER TRANSISTOR は含まれません。

Table listing PCB assembly parts: SH000571 SRA XLR BOARD ASSY, SRA SERIES PCB-C ASSY

NOTE: Replacement XLR BOARD ASSY consists of the following 7PCBs. 注意: 補修用 XLR BOARD ASSY は下記の7基板から構成されます。

- XLR BOARD
POWER LED BOARD
CH-A CLIP/SIG LED BOARD
CH-B CLIP/SIG LED BOARD
CH-A VR BOARD
CH-B VR BOARD
PROTECTION LED BOARD

Table listing PCB assembly parts: SH000575 POWER SUPPLY BOARD, SRA-800 PCB-E ASSY

NOTE: Replacement POWER SUPPLY BOARD is 117V version only. For details, refer to page14. 注意: 補修用 POWER SUPPLY BOARD は117V仕様です。詳細は14ページを参考にしてください。

IC/集積回路

Table listing IC parts: 15189112 LF353N OP AMP, 15189251 M5218AP OP AMP, etc.

TRANSISTOR/トランジスタ

Table listing transistor parts: △ 00905256 2SA1553-O POWER TR

Table listing transistor parts: △ 00905267 2SC4029-O POWER TR, #△ 01341445 2SA1006B-Q DRIVER TR, etc.

DIODE/ダイオード

Table listing diode parts: △ SH000202 BRIDGE KBPC3506W, △ SH000201 BRIDGE PB154M, etc.

RESISTOR/抵抗

Table listing resistor parts: #△ SH000433 CEMENT RESISTOR 27k ohm 5W 5%, #△ SH000432 CEMENT RESISTOR 0.22 ohm 3W 5%, etc.

POTENTIOMETER/ポリューム

Table listing potentiometer parts: # SH000447 VR 5kA (41 POSITION), # SH000446 VR 300 ohm

CAPACITOR/コンデンサー

Table listing capacitor parts: △ SH000398 0.068 uF/250V UL/CSA/DNS, #△ SH000448 10000 uF/63V, etc.

INDUCTOR, COIL, FILTER/インダクタ, コイル, フィルター

Table listing inductor/coil/filter parts: # SH000197 COIL 2 uH, #△ SH000461 CHOKE COIL (SRA-800 230V)

RELAY/リレー

Table listing relay parts: 12439231 RELAY AR3222739 DC24V 10A

FUSE, FUSE HOLDER/ヒューズ, ヒューズホルダー

Table listing fuse parts: #△ SH000503 2A/250V (100V/117V), #△ SH000412 T2AL/250V (230V), etc.

CONNECTOR/コネクタ

Table listing connector parts: SH000230 CONNECTOR JK104,106 (2P), SH000035 CONNECTOR JK102 (3P), etc.

WIRING, CABLE/ワイヤリング, ケーブル

#	SH000488	WIRING CH-A SPEAKER GND (1P)	1P WAFER/P 170MM	212-10010-550-0
#	SH000489	WIRING CH-B SPEAKER GND (1P)	1P WAFER/P 300MM	212-10010-560-0
#	SH000490	WIRING AC CORD 3P GND (1P)	1P WAFER/P 60MM GRN	212-10010-571-0
#	SH000487	WIRING AC CORD (1P)	1P WAFER/P 150MM	212-10010-541-0
#	SH000492	WIRING POWER LED (2P)	2P WAFER/P 120MM	212-10022-610-0
#	SH000491	WIRING AC CORD/POWER SW (2P)	2P WAFER/P 300MM	212-10022-601-0
#	SH000493	WIRING POWER SW (2P)	2P WAFER/P 300MM	212-10022-621-0
#	SH000494	WIRING PROTECTION LED (3P)	3P WAFER/P 400MM	212-10032-170-0
#	SH000495	WIRING CH-A VR/LED (7P)	7P WAFER/P 450MM	212-10070-430-0
#	SH000496	WIRING XLR CONNECTOR (8P)	8P WAFER/P 140MM	212-10080-340-0
#	SH000497	WIRING CH-A POWER BLOCK (8P)	8P WAFER/P 400MM	212-10080-350-0
#	SH000498	WIRING CH-B POWER BLOCK (8P)	8P WAFER/P 650MM	212-10080-360-0
#	SH000499	WIRING CH-B VR/LED (9P)	9P WAFER/P 750MM	212-10090-260-0
#	SH000500	WIRING CH-A TR BOARD (11P)	11P WAFER/P 800MM	212-10110-090-0
#	SH000501	WIRING CH-B TR BOARD (11P)	11P WAFER/P 350MM	212-10110-100-0

TRANSFORMER/トランス

#△	SH000462	POWER TRANS SRA-800 (100V/117V/230V)	X'MER MAR6/SRA800	070-2028B-800-0
----	----------	--------------------------------------	-------------------	-----------------

AC CORD/ACコード

#△	SH000514	AC CORD SRA-540/800 (100V)	P/CORD 100V 15A 2.5*2P JIS	370-24810-602-0
#△	SH000512	AC CORD SRA-540/800 (117V)	P/CORD 120V 20A 2.5*3P UL/CSA	370-08810-702-0
#△	SH000513	AC CORD SRA-540/800 (230V)	P/CORD 230V 15A 2.5*3P CE	370-23610-902-0

SCREW/ネジ類

	40230589	BINDING MACHINE SCREW M3*6 NI		
	40010245	BINDING MACHINE SCREW M3*6 BZC		
	40230590	BINDING MACHINE SCREW M3*10 NI		
	40010278	BINDING MACHINE SCREW M3*12 BZC		
	40015978	BINDING MACHINE SCREW M4*8 ZC		
	40010345	BINDING MACHINE SCREW M4*10 BZC		
	40019067	BINDING MACHINE SCREW M4*15 BZC		
#	SH000556	BINDING MACHINE SCREW M6*15 BZC	M/E SET SCR. M6.0*15 BLK	590-56015-200-0
	40010501	FLAT MACHINE SCREW M3*6 BZC		
#	SH000555	PAN MACHINE SCREW M3*8 BZC	M/E PAN SCR. M3.0*8 BLK	590-43008-200-0
	40010134	TRUSS MACHINE SCREW M4*20 BZC		
	40010901	BINDING TAPPING B1 3*6 BZC		
	40010912	BINDING TAPPING B1 3*8 BZC		
#	SH000557	BINDING TAPPING B1 4*12 BZC	T/P SET SCR. D4.0*12 BLK	591-54012-200-0
	40010712	BINDING TAPPING A 3*8 ZC		
	22150756	JACK NUT 2		
	40011789	HEX NUT M3 ZC		
	40019056	HEX NUT M4 ZC		
	40129890	HEX NUT M5 ZC		
#	SH000558	HEX NUT M6 NI	HEX. NUT M6.0*2.0 NI	600-00602-010-0
	40127023	PLAIN WASHER 3*8*0.5 ZC		
	40011989	PLAIN WASHER 4*10*0.8 BZC		
#	SH000559	ORIGINAL PLAIN VR WASHER	PLA WAS. D7.3*D29.8*0.3	610-00730-306-0
	40011801	SPRING WASHER M3 ZC		
	40125934	SPRING WASHER M3 BZC		
	40230023	SPRING WASHER M4 ZC		
	40230045	SPRING WASHER M4 BZC		
	40230034	SPRING WASHER M5 ZC		
	40230067	SPRING WASHER M6 NI		
	40011889	EXT TOOTH WASHER M4 ZC		
	40011890	EXT TOOTH WASHER M5 ZC		

PACKING CASE/梱包材

#	SH000547	SRA-800 OUTER PACKING CASE	CARTON 570*535*245 SRA800	560-10920-200-0
#	SH000550	SRA-800 INNER PACKING CASE	G/B 555*520*220 SRA800	561-10880-200-0
#	SH000552	SRA-800 PAD	SIDE EPE 505*210*100 SRA800	567-20014-000-0

MISCELLANEOUS/その他

#△	SH000511	MOTOR FAN (SRA-800)	FAN SP1202524M 24VDC	347-00000-210-0
	SH000180	PHOTOCOUPLER P873-G35-552	CDS P873-G35-552 HAMAMATSU	010-00001-010-0
#△	SH000445	THERMISTOR (SRA-540/800)	NTC THERMISTOR N15SP2R5L	012-250B0-010-0
#△	SH000443	THERMISTOR TDC05A045L	THERMISTOR TDC05A045L	011-450A0-000-0
#	SH000475	THERMOSTAT FAN SW	TMP/SW US-602SYTFBL 50/40	210-10050-020-0
#	SH000476	THERMOSTAT CH-A/B RELAY	TMP/SW US-602SXTFBL 85/75	210-10085-010-0
	SH000078	RADIATION SHEET TO-220	RUBBER WASHER TO-2203	313-00000-060-0
	SH000079	TRANSISTOR NYLON WASHER	BUSHES 602S(V.O)	314-00000-050-0
#	SH000528	HEATSINK TO-220	TRAN. HEATSINK MAR2	526-10050-110-0
#	SH000529	HEATSINK BRIDGE DIODE	U-HEATSINK MAR2	526-10053-110-0
#	SH000544	ORIGINAL VR SHIELD PLATE	VR FIXTURE PLATE	553-20003-400-0
#△	SH000309	AC CORD BUSH (100V/230V)	STR.REL BUSHING 6W3-4 R	527-11000-000-0
#△	SH000532	AC CORD BUSH (117V)	STR.REL BUSHING 6W3-4 S	527-14000-000-0
#	SH000509	NYLON WIRE JOINT	CORD CONNECTOR C5	307-00000-070-0
#	SH000541	COATING CLIP	LOCKING CABLE FIXED WC-11	552-10174-480-0
#	SH000539	CORD CLAMP	ADHESIVE FIXED AB-2	552-00001-420-0
	22150510	STANDOFF M3 L35C (METAL)		
#	SH000563	STANDOFF M3 L17 (RESIN)	HEX. BOSS L=17 M3 (H-17)	615-10053-620-0
#	SH000564	STANDOFF M3 L15 (RESIN)	HEX. BOSS L=15 M3 (H-15)	615-20039-620-0
#	SH000562	STANDOFF M3 L10 (RESIN)	HEX. BOSS L=10 (H-10S)	615-10032-620-0
	22150501	STANDOFF M3 L10C (METAL)		
#	SH000560	GROUND TERMINAL	EARTH BOSS 2+5 NI	615-10001-130-0
#	SH000561	GROUND TERMINAL	EARTH BOSS 10+5 NI	615-10002-130-0

ACCESSORIES(Standard)/標準付属品

#	SH000374	OWNER'S MANUAL (JAPANESE)	OWN.MANU. SRA SERIES (JAPANESE)	574-00004-330-0
#	SH000380	OWNER'S MANUAL (ENGLISH)	OWN.MANU. SRA SERIES (ENGLISH)	574-00004-310-0

Table for the correspondences of fuses / ヒューズ対応表

POWER SUPPLY BOARD

PRI	SRA-260		SRA-540		SRA-800	
100V/117V	F501	#SH000506	#SH000508	#SH000502		
	F502	GSA-5 5A/250V	GSA-8 8A/250V	GSA-15 15A/250V		
230V	F501	#SH000506	#SH000508	#SH000502		
		GSA-5 5A/250V	GSA-8 8A/250V	GSA-15 15A/250V		
SEC	SRA-260		SRA-540		SRA-800	
100V	F601A / F601B	#SH000507	#SH000502	01341456		
	F602A / F602B	GSA-7 7A/250V	GSA-15 15A/250V	TLNC-20 20A/250V		
117V	F601A / F601B	#SH000507	#SH000502	#SH000504		
	F602A / F602B	GSA-7 7A/250V	GSA-15 15A/250V	MDA-20 20A/250V		
230V	F601A / F601B	#SH000507	#SH000502	#SH000504		
	F602A / F602B	GSA-7 7A/250V	GSA-15 15A/250V	MDA-20 20A/250V		

MT BOARD (SRA-260/540/800)

100V/117V	F101 / F102	#SH000503 51S020H 2A/250V
230V	F101 / F102	#SH000412 GTD-2 T2AL/250V

IDLING VOLTAGE ADJUSTMENT / アイドリング電圧調整仕様

CAUTION

*If the heatsink overheats after a long-term operation or overload operation, the idling voltage must be adjusted after the heatsink temperature has decreased to 50°C or below.

1: Setting

Input -----: No signal
 Speaker out-----: No load
 CHA, CHB, UTTENUATORS -----: -∞ dBm

2: Adjustment

After the power has been turned on for 5 minutes, adjust SVR1A and SVR1B so that the voltage across the Emitter Resistor of Power Transistor is set to approx. 4mV DC.
 (For details, refer to NOTE1 of the page 13 and NOTE 2 of the page 19.)

If the voltage is set outside this specified range, the following problems may occur.
 So careful attention should be taken when adjusting the voltage.

- * If the idling voltage is lower than the specified value (close to 0mV), the overall harmonic distortion will increase.
- * If the idling voltage is higher than the specified value, the amount of heat generation from the power transistor increases, resulting in a temperature rise in the heatsink.

注意

・長時間又は過負荷使用で、ヒートシンクが過熱している場合は50℃以下になってから行なうこと。

1: セッティング

入力 -----: 無信号
 スピーカー出力 -----: 無負荷
 CHA, CHB, アッテネーター: -∞ dBm

2: 調整

電源を入れてから5分後に、パワートランジスタのエミッタ抵抗の両端の電圧が約4mV DCになる様にSVR1A及びSVR1Bを調整する。
 (詳細はMT BOARD基板図p13中の注意1、及び回路図p19中の注意2を参照して下さい。)

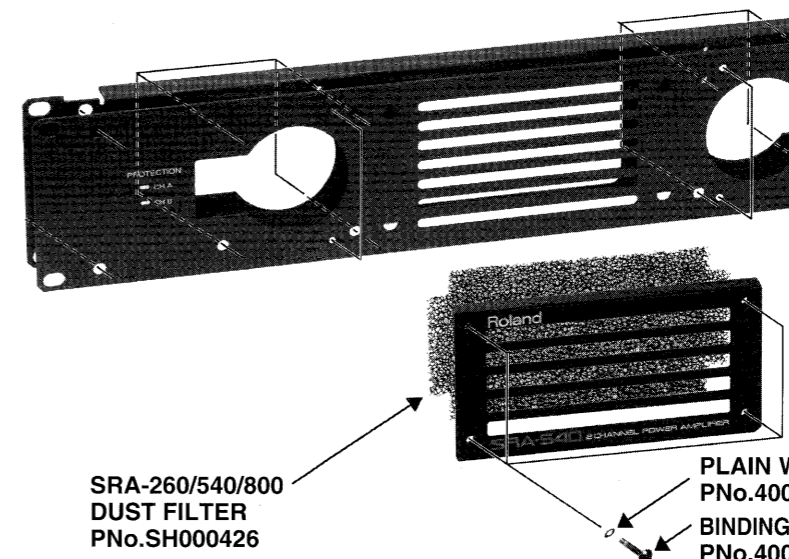
規定値より外れると以下のようになりますので、慎重に調整して下さい。

- ・アイドリング電圧が規定値より低い(0mVに近い)と、全高調波歪率が悪くなります。
- ・アイドリング電圧が規定値より高いと、無信号時のパワー・トランジスタの発熱量が増加し、ヒートシンクの温度が上昇します。

How to cleaning the filters / フィルターの洗浄のしかた

1. Turn OFF the unit's power, and pull out its plug from the AC outlet.
2. Use a Phillips screwdriver to loosen the 4 screws holding the filter cover in place. Remove the filter cover.

1. 本機の電源を切り、ACコンセントより電源プラグを外して下さい。
2. +ドライバーでフィルター・カバーを止めているネジ(4本)をゆるめフィルター・カバーを本体より外して下さい。

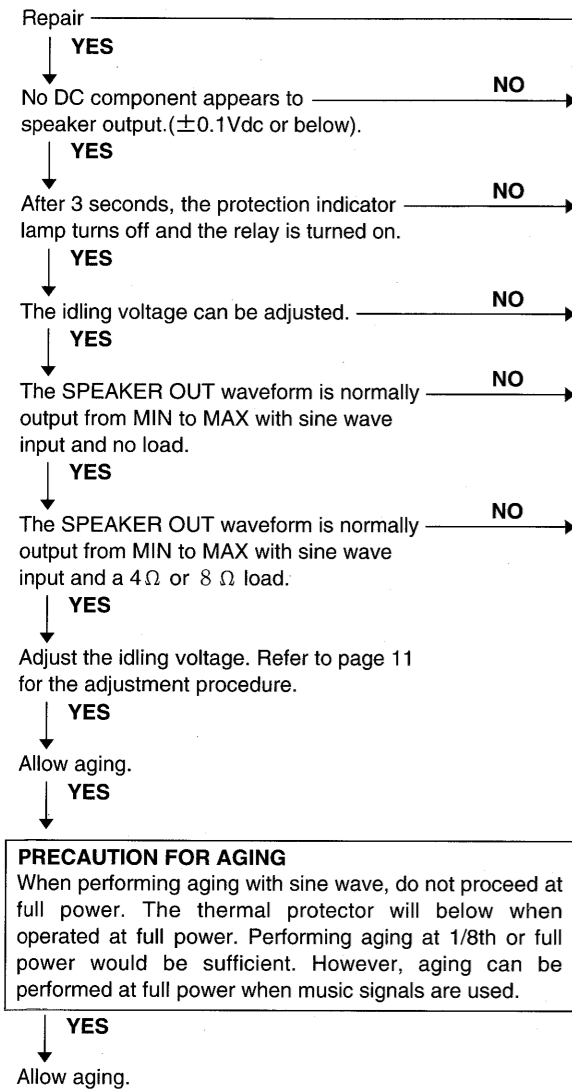


3. Take out the filter, and clean or wash it. (If washed using soap and water, make sure it has been dried thoroughly before putting it in the unit.)
 4. Replace the filter and fasten the cover in place.
- * Never use benzene, thinner, or alcohol-based products for cleaning the filter, since discoloration or warping could result.
 - * Never mount the filter in the unit while it is still wet or damp.
 - * While you have the filter removed, make sure nothing (dust, foreign objects) gets into the unit.

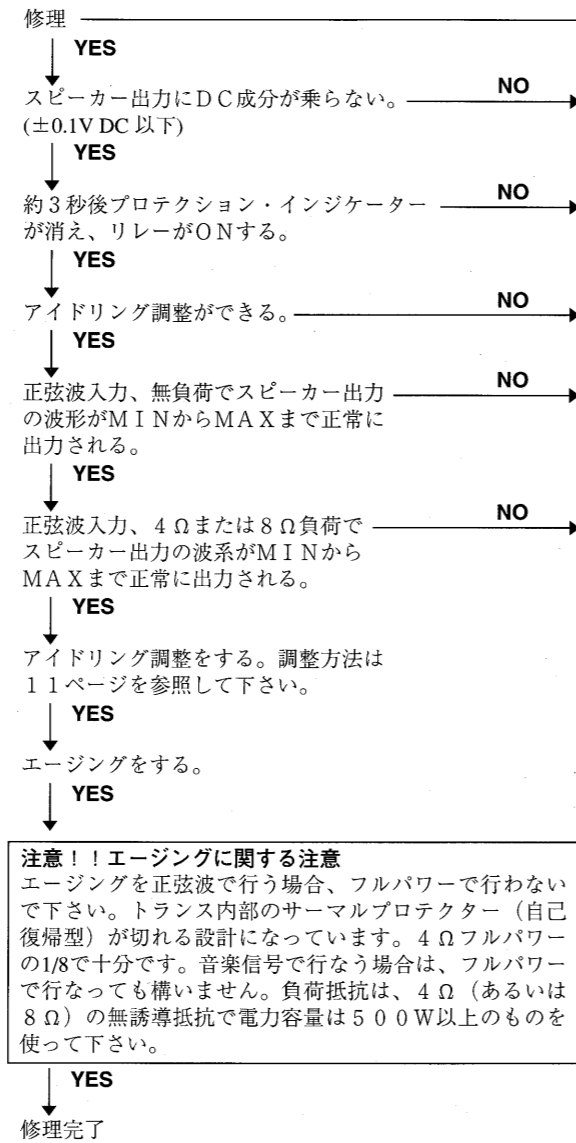
3. フィルターを取り外し、洗浄して下さい(水洗い等をした場合は、十分に乾かしてからセットして下さい。)
 4. フィルターとフィルター・カバーを元の状態にセットして下さい。
- * 洗浄の際、変色や変形の原因となるベンジン、シンナー及びアルコール類は、絶対に使用しないで下さい。
 - * 絶対に濡れたままセットしないでください。
 - * フィルターを外している時、本体内部に異物等が入らないようにして下さい。

APPENDIX / 付録

Check these items after the repairing



修理後の動作チェック



*If the result is "NO" for any check item above, it means that the repair has not been completed. Immediately turn the power off and attempt to repair the unit again.

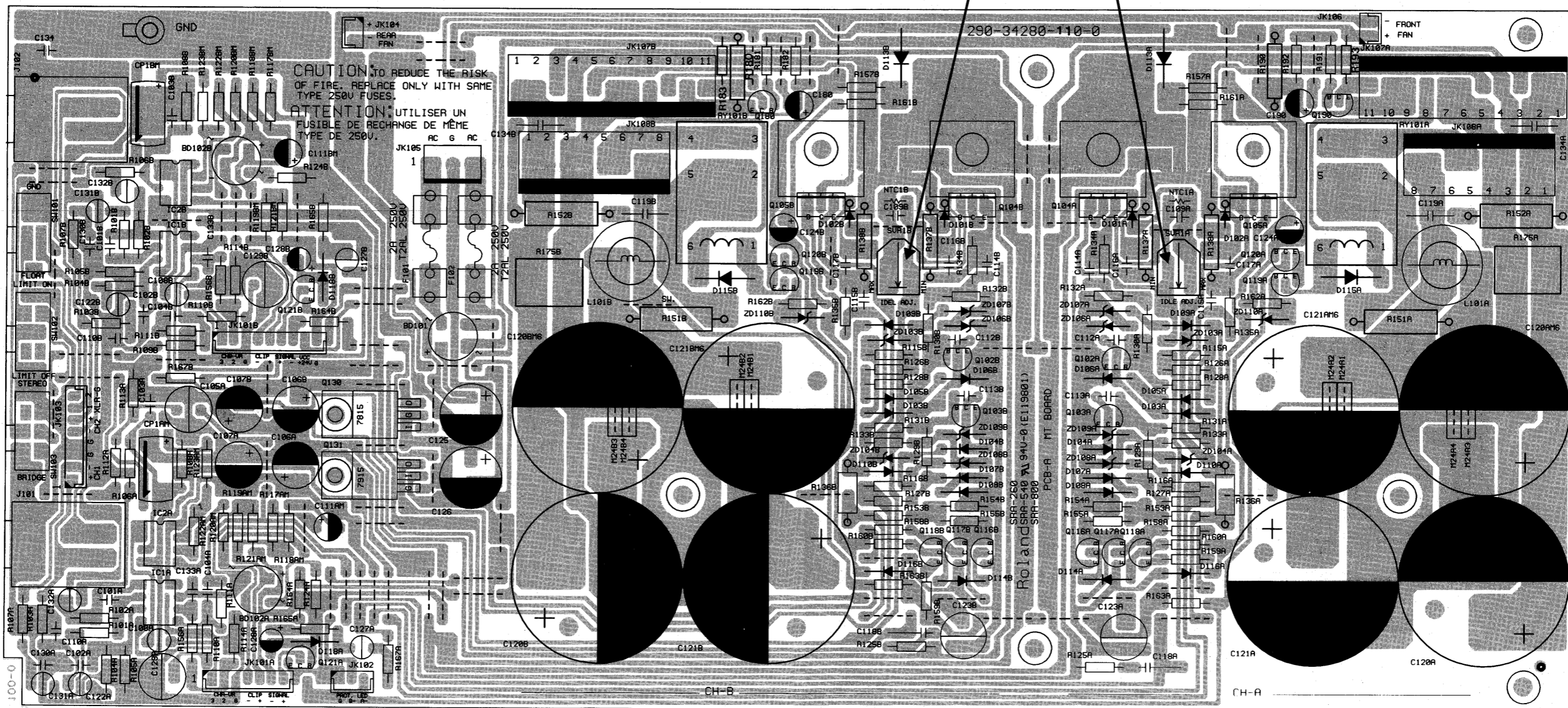
*各項目でNOとなった場合は、完全に直りきっていないのですぐに電源を切って再度修理して下さい。

1 2 3 4 5 6 7 8 9 10 11 12 13 14 15 16 17 18 19 20 21 22 23 24 25 26 27 28

A SRA-260/540/800 MT BOARD ASSY

B
C
D
E
F
G
H
I
J
K
L
M
N
O
P
Q
R
S
T
U

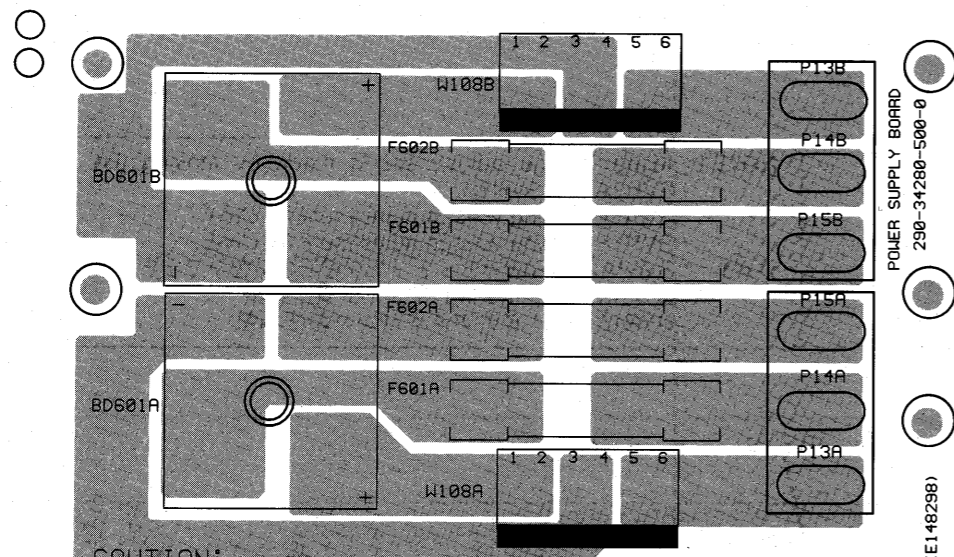
NOTE1: Idling voltage adjustment is made by moving the SVR1A and SVR1B.
 SVR1A = Idling voltage adjustment for CH-A
 SVR1B = Idling voltage adjustment for CH-B
 注意1 : SVR1AとSVR1Bでアイドリング電圧の調整ができます。
 SVR1A = CH-Aのアイドリング電圧調整
 SVR1B = CH-Bのアイドリング電圧調整



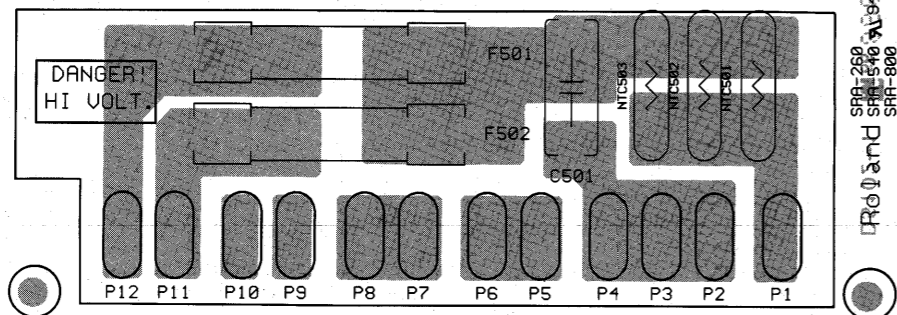
1 2 3 4 5 6 7 8 9 10 11 12 13 14 15 16 17 18 19 20 21 22 23 24 25 26 27 28

A SRA-260/540/800 POWER SUPPLY BOARD ASSY

B
C
D
E
F
G
H
I
J
K
L
M
N
O
P
Q
R
S
T
U



CAUTION: TO REDUCE THE RISK OF FIRE, REPLACE ONLY WITH SAME TYPE 250V FUSES.
ATTENTION: UTILISER UN FUSIBLE DE RECHANGE DE MÊME TYPE DE 250V.



CAUTION : Replacement POWER SUPPLY BOARD for SRA-800 is 117 V version only.

注意：SRA-800の補修用 POWER SUPPLY BOARD は 117V仕様のみです。

When you use POWER SUPPLY BOARD to 100V version

100V仕様の製品に使用する際は

- ① Please replace the fuses F601 and F602 with fuses for 100V version (#01341456).

- ① ヒューズF601及びF602を100V用のヒューズ (#01341456) に交換して下さい。

When you use POWER SUPPLY BOARD to 230V version

230V仕様の製品に使用する際は

- ① Please be sure to add the following capacitors.
PNo. SH000457 0.47uF/630V x2

- ① 下記のコンデンサーを追加して下さい。
PNo. SH000457 0.47uF/630V x2

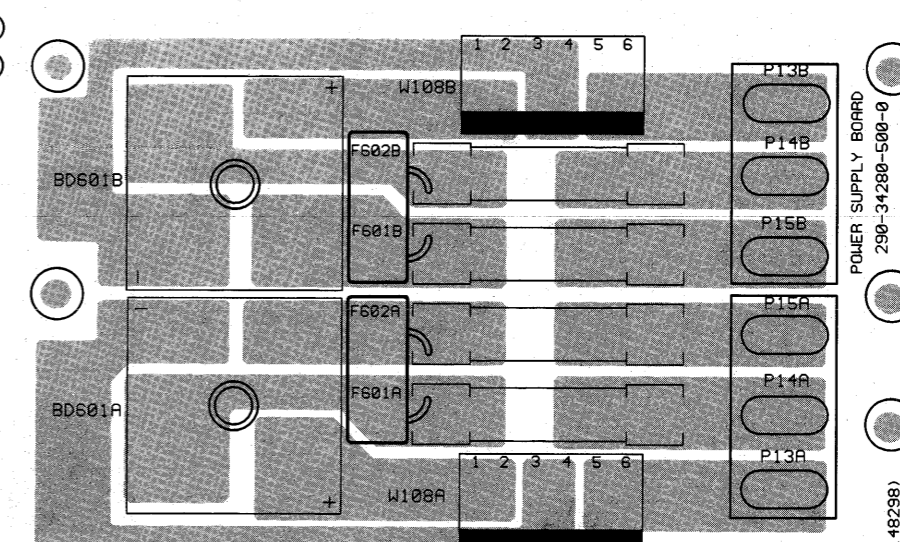
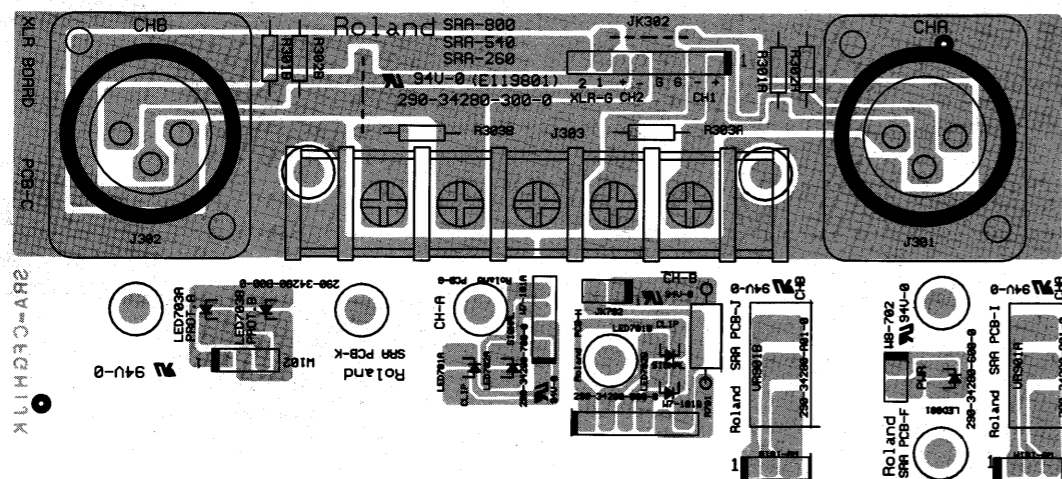
INSTALLATION POSITION
Refer to the following figure.

取付位置
下図参照

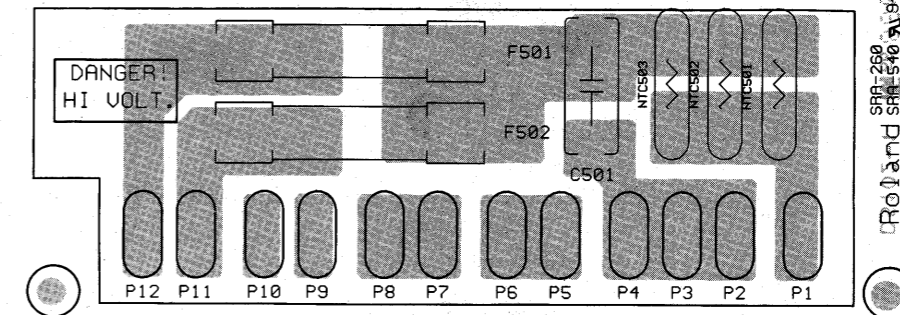
HOW TO MOUNTING
Solder these capacitor to fuse holder for F601 and F602 from the components side.

取付方法
F601とF602のヒューズホルダーに部品面側から取り付けて下さい。

SRA-260/540/800 XLR BOARD ASSY



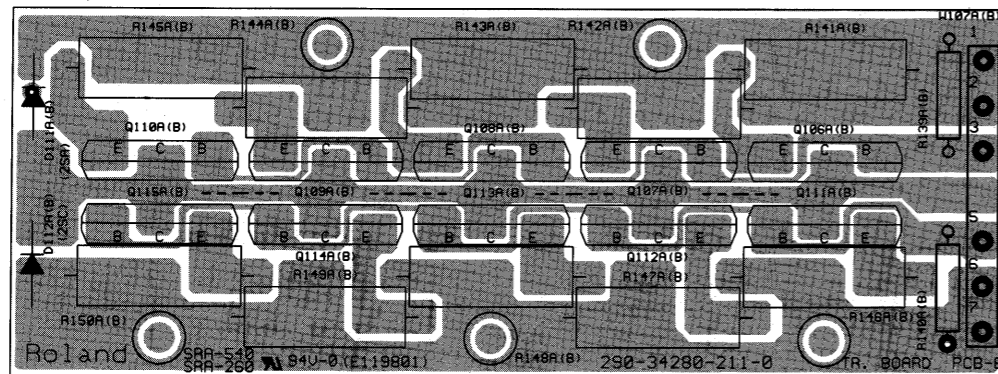
CAUTION: TO REDUCE THE RISK OF FIRE, REPLACE ONLY WITH SAME TYPE 250V FUSES.
ATTENTION: UTILISER UN FUSIBLE DE RECHANGE DE MÊME TYPE DE 250V.



1 2 3 4 5 6 7 8 9 10 11 12 13 14

CIRCUIT DESCRIPTION / 回路解説

A SRA-260/540 TR BOARD ASSY



1: Safety Circuits

The SRA-260/540/800 employs two types and four kinds of safety circuits.

A: Output Shut-off Type

When this type of safety circuit functions, the output is isolated (the output-relay RY101A/B turns off and the indicator lamp on the front panel lights up). This circuit serves to protect the unit and speaker system should trouble occur.

● **Overheat safety circuit**

When the surface temperature of the heatsink reaches 85°C or above, the thermal sensor (TSW1/3) enables the safety circuit to function. When the temperature lowers to 75°C or below, the safety circuit turns off.

● **DC output safety circuit**

When any DC component larger than ±4V DC is generated in the output, this circuit functions to shut off the output.

● **Muting safety circuit**

This circuit functions for approx. three seconds to prevent popping noise from being generated when the power is turned on.

B: Output Control Type (Output is not isolated)

If this circuit functions, the output is regulated. Should the output be shorted or overloaded, this unit and speaker system are protected.

● **Short/overload safety circuit (PC control)**

If the load decreases to 1.5Ω or below, the output is regulated so that it does not exceed the ASO (Area of Safe Operation) of the power transistor.

2: Fan Control Circuit

The SRA-260/540/800 performs forced-air cooling inside the unit using a 2 speed controlled fan. The fan is normally rotated slowly, but if the surface temperature of the heatsink reaches 50°C or above, the thermal sensor (TSW2/4) allows the cooling fan to rotate faster.

3: Indicator

● **Signal Indicator**

The indicator light illuminates when the output level reaches over 0.5W/8Ω or 1W/4Ω (2V rms).

● **Clip Indicator**

The indicator light illuminates when the distortion of output reaches over 1%. (Ditto for the value of load impedance changed 8Ω or 4Ω.). And also it illuminates in the case of output has shorted when you input a signal.

1: 保護回路

SRA-260 / 540 / 800 は、2タイプ4種類の保護回路を採用しています。

A: 出力を遮断するタイプ (プロテクションがかかります。)

保護回路が働くと、プロテクションがかかり、出力を遮断します。(この時フロントパネルのプロテクション・インジケータが点灯し、さらに出力リレーRY101A/Bがオフします。) 万一、トラブルが発生した場合でも、スピーカー・システムや本機を保護します。

● **異常過熱に対する保護回路**

ヒートシンクの表面温度が85°C以上になると、温度センサー (TSW1/3) の働きによりプロテクションがかかります。75°C以下になるとプロテクションを解除します。

● **DC出力に対する保護回路**

出力にDC成分 (±4V DC以上) が発生するとプロテクションがかかります。

● **ミュートイング保護回路**

電源投入時のポップノイズを防止するため、約3秒間プロテクションがかかります。

B: 出力を制限するタイプ (プロテクションはかかりません。)

保護回路が働くと、出力を制限します。万一、出力をショートしたり、過負荷となった場合でも、スピーカー・システムや本機を保護します。

● **出力ショートや過負荷に対する保護回路 (PC制限)**

負荷が1.5Ω以下になるとパワートランジスタの安全動作領域を超えないように出力を制限します。

2: ファン制御回路

2段階スピード・コントロール・ファンの採用により、内部を強制冷却しています。ファンは通常低速で回転していますが、ヒートシンク表面温度が50°C以上になると、温度センサー (TSW2/4) の働きにより回転スピードが速くなります。

3: インジケータ

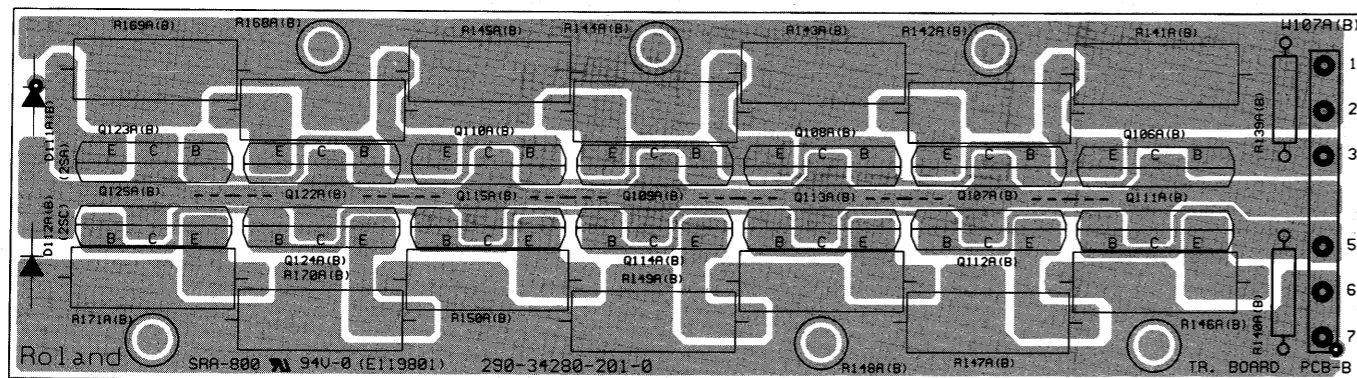
● **シグナル・インジケータ**

出力が0.5W/8Ωまたは1W/4Ω (2V rms) 以上になると点灯します。

● **クリップ・インジケータ**

出力の歪率が1%を超えると点灯します。負荷インピーダンスが変わっても (8Ωや4Ωでも) 同様に歪率1%以上で点灯します。また信号入力時、出力がショートされると点灯します。

J SRA-800 TR BOARD ASSY

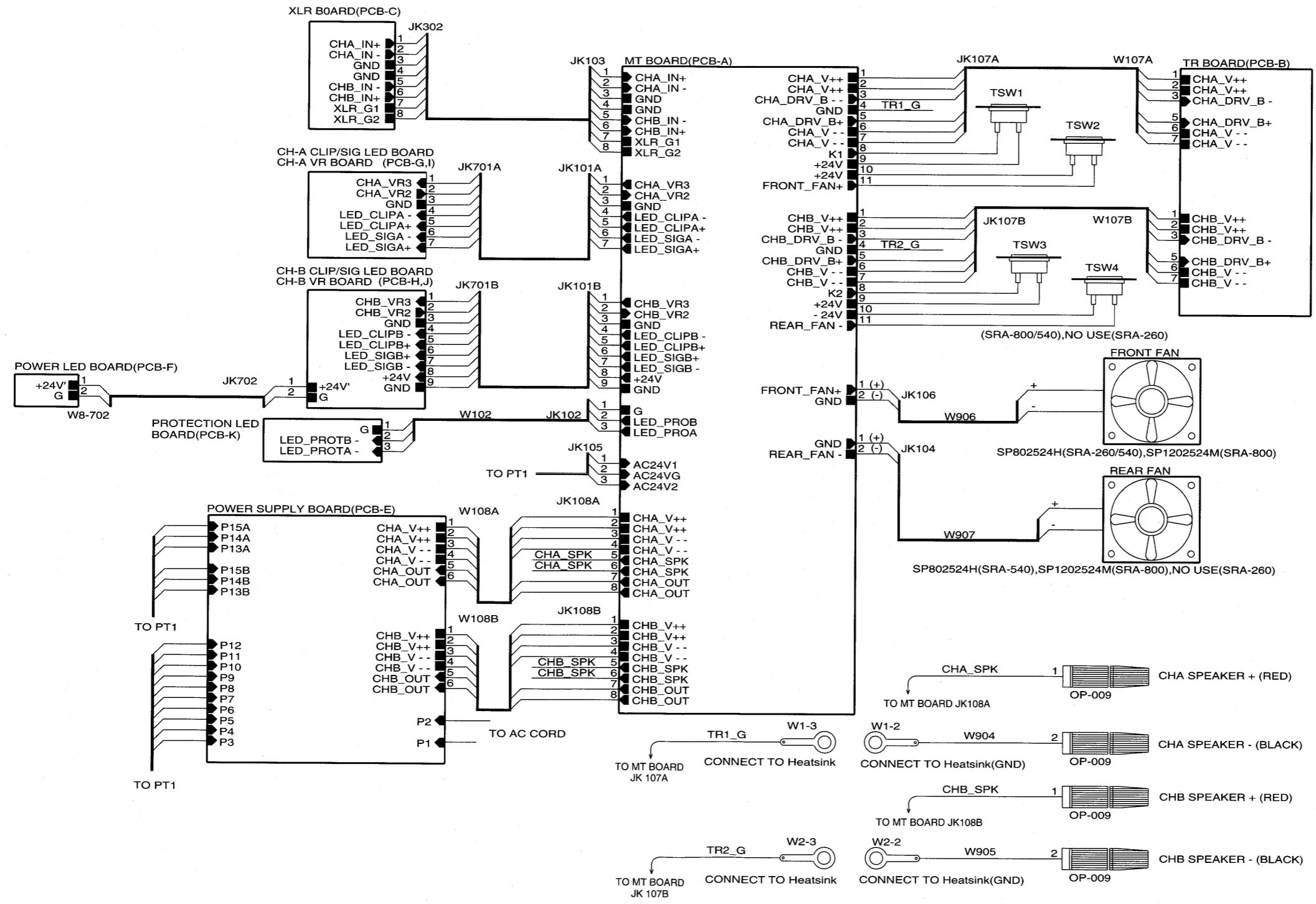


A
B
C
D
E
F
G
H
I
J
K
L
M
N
O
P
Q
R
S
T
U

1 2 3 4 5 6 7 8 9 10 11 12 13 14 15 16 17 18 19 20 21 22 23 24 25 26 27 28

A WIRING DIAGRAM / 配線図

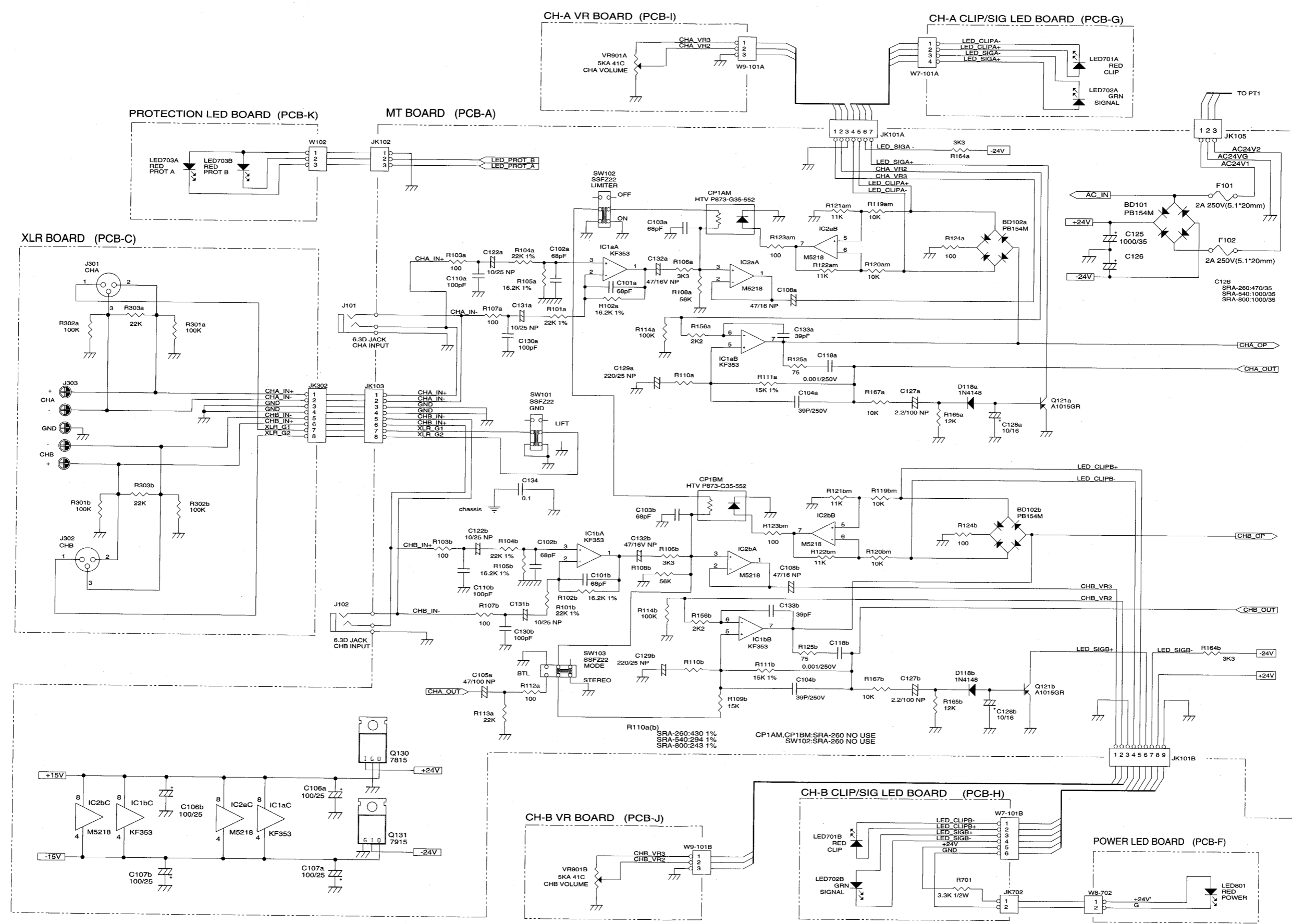
B
C
D
E
F
G
H
I
J
K
L
M
N
O
P
Q
R
S
T
U



1 2 3 4 5 6 7 8 9 10 11 12 13 14 15 16 17 18 19 20 21 22 23 24 25 26 27 28

A CIRCUIT DIAGRAM/回路図

B
C
D
E
F
G
H
I
J
K
L
M
N
O
P
Q
R
S
T
U

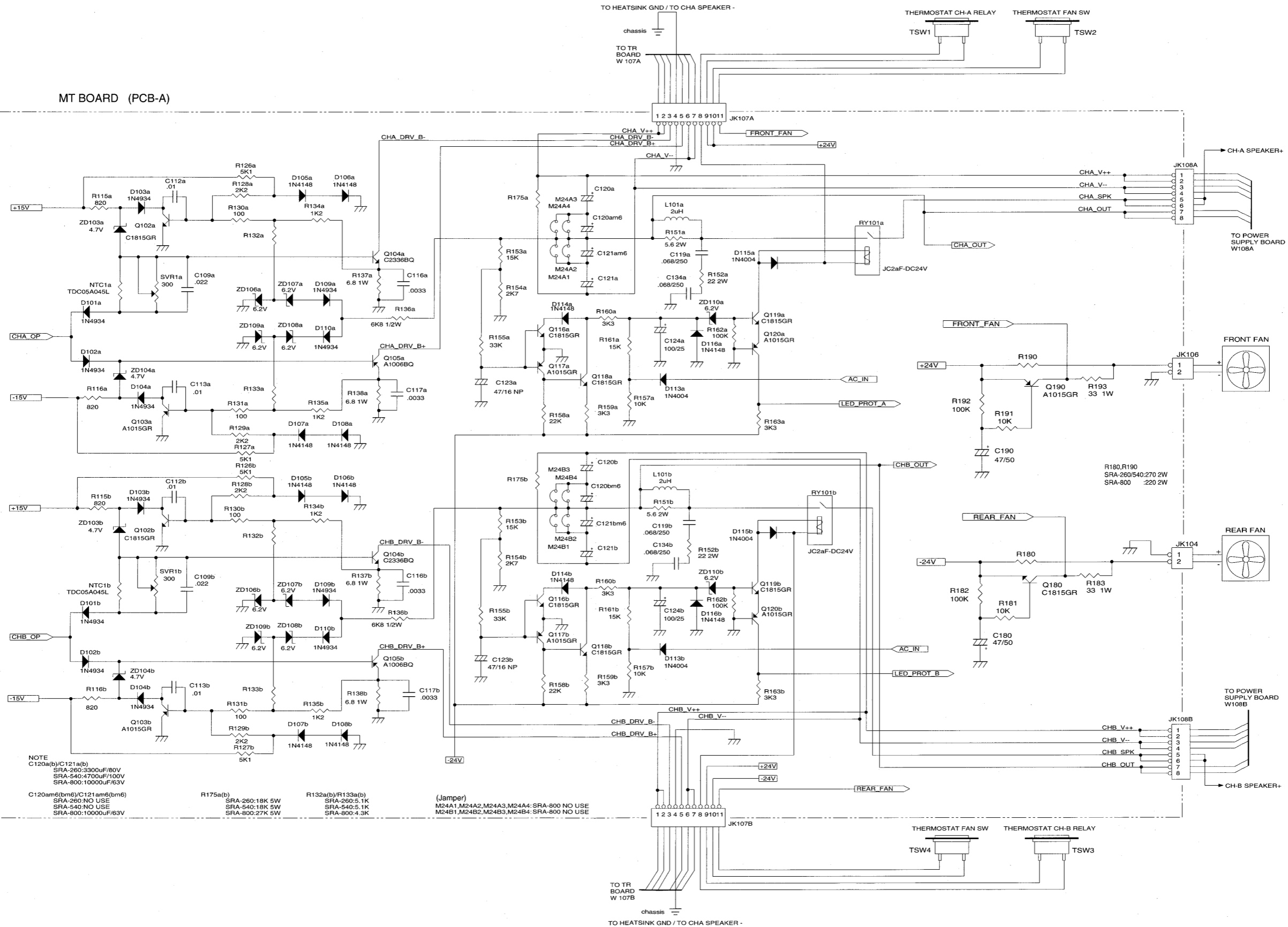


1 2 3 4 5 6 7 8 9 10 11 12 13 14 15 16 17 18 19 20 21 22 23 24 25 26 27 28

A CIRCUI T DIAGRAM / 回路图

B
C
D
E
F
G
H
I
J
K
L
M
N
O
P
Q
R
S
T
U

MT BOARD (PCB-A)

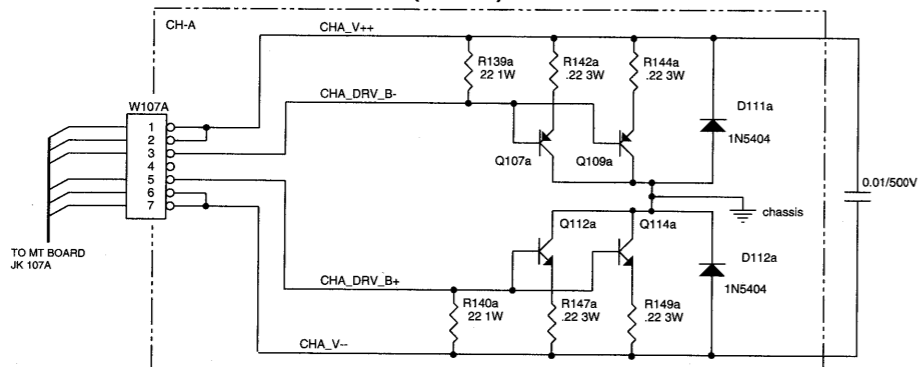


1 2 3 4 5 6 7 8 9 10 11 12 13 14 15 16 17 18 19 20 21 22 23 24 25 26 27 28

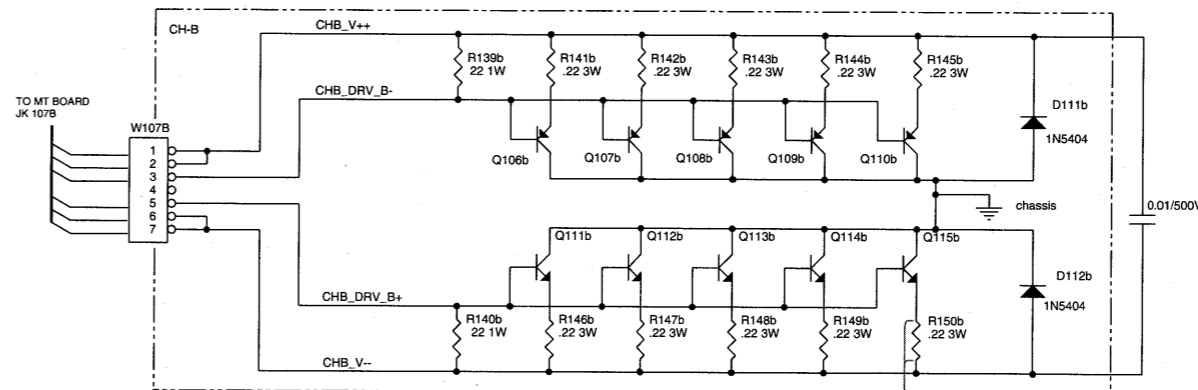
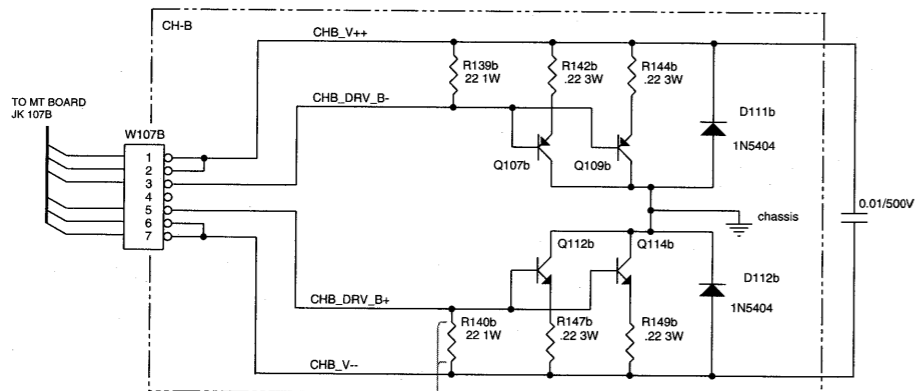
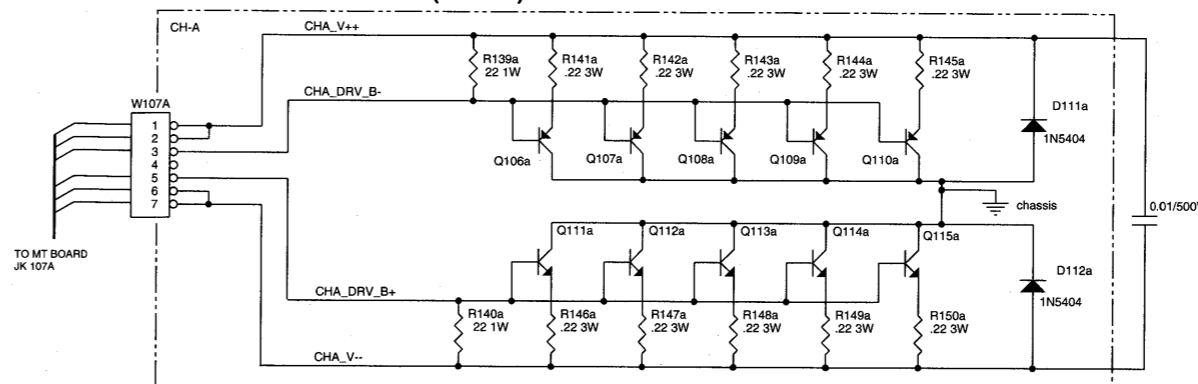
A CIRCUIT DIAGRAM/回路図

B
C
D
E
F
G
H
I
J
K
L
M
N
O
P
Q
R
S
T
U

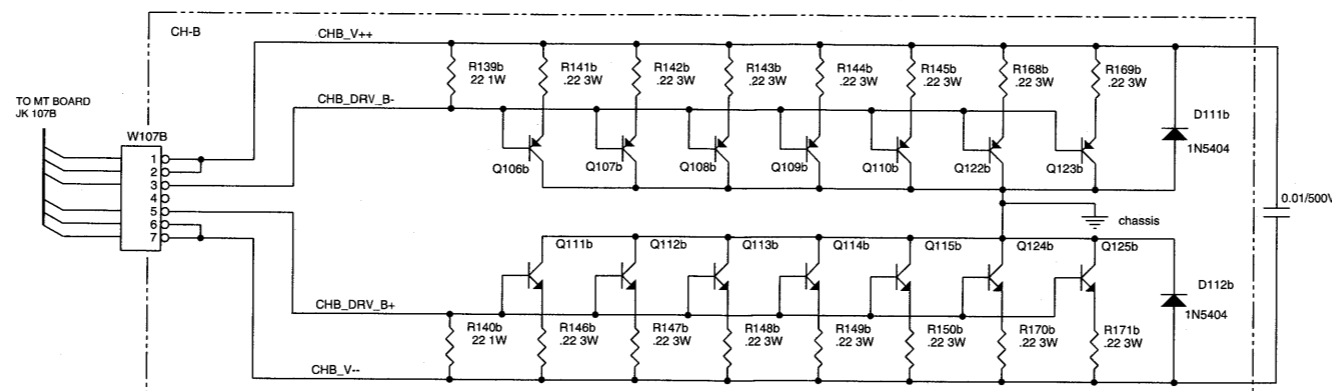
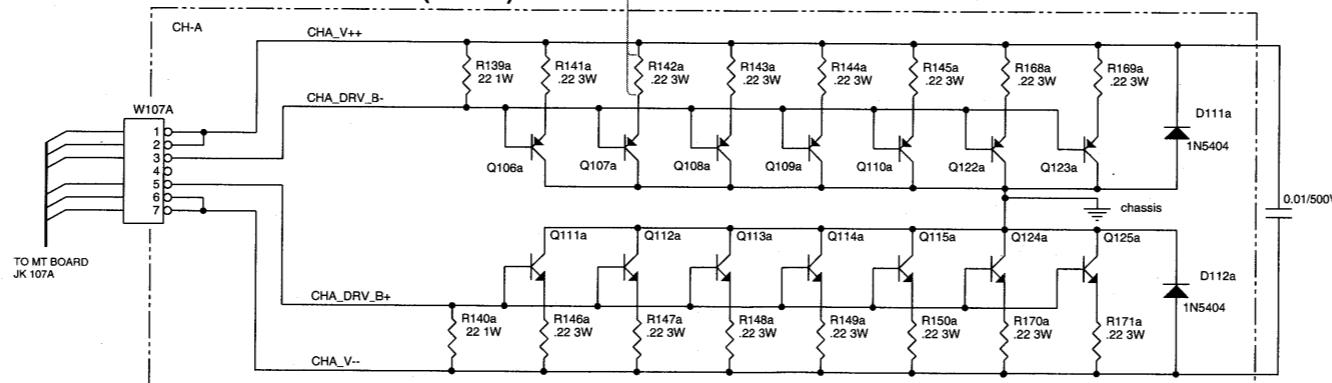
SRA-260 TR BOARD (PCB-B)



SRA-540 TR BOARD (PCB-B)



SRA-800 TR BOARD (PCB-B)



NOTE2: Adjust SVR1A and SVR1B so that the voltage across the Emitter Register of Power Transistor is set to approx. 3mV DC.
 注意2: パワートランジスタのエミッタ抵抗の両端の電圧が約 3 m V D C になる様に SVR1A 及び SVR1B を調整する。
 ※1

- SRA-260
Q107, 109 : 2SA1302-0
Q112, 114 : 2SC3281-0
- SRA-540
Q106 to 110 : 2SA1302-0
Q111 to 115 : 2SC3281-0
- SRA-800
Q106 to 110, 122, 123 : 2SA1553-0
Q111 to 115, 124, 125 : 2SC4029-0

1 2 3 4 5 6 7 8 9 10 11 12 13 14 15 16 17 18 19 20 21 22 23 24 25 26 27 28

A CIRCUIT DIAGRAM / 回路図

SRA Series

POWER SUPPLY BOARD (PCB-E)

B

C

D

E

F

G

H

I

J

K

L

M

N

O

P

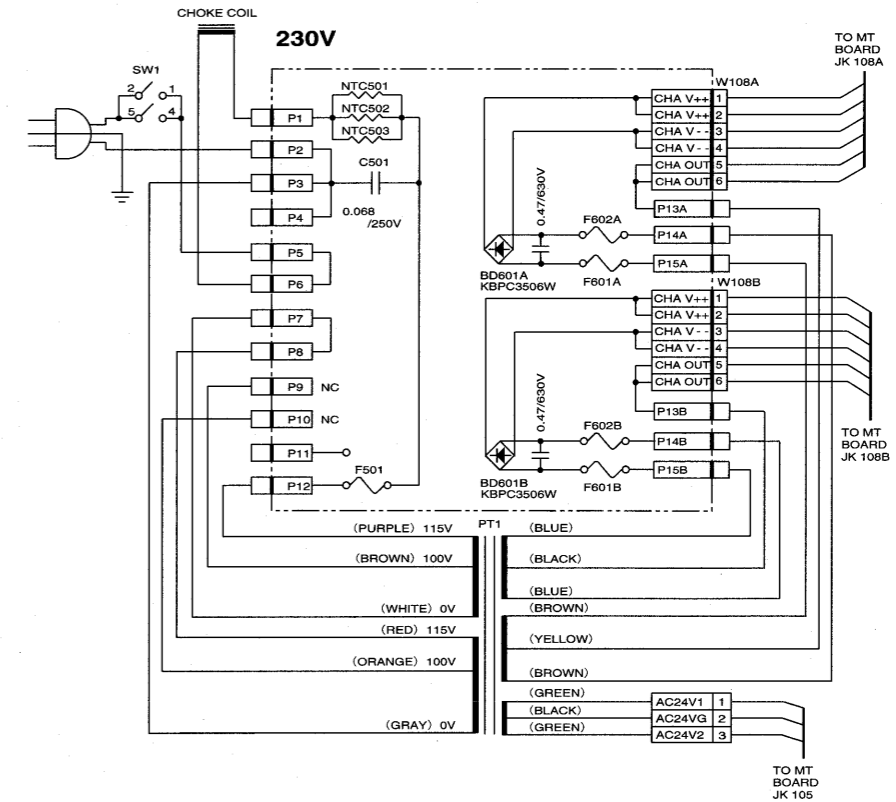
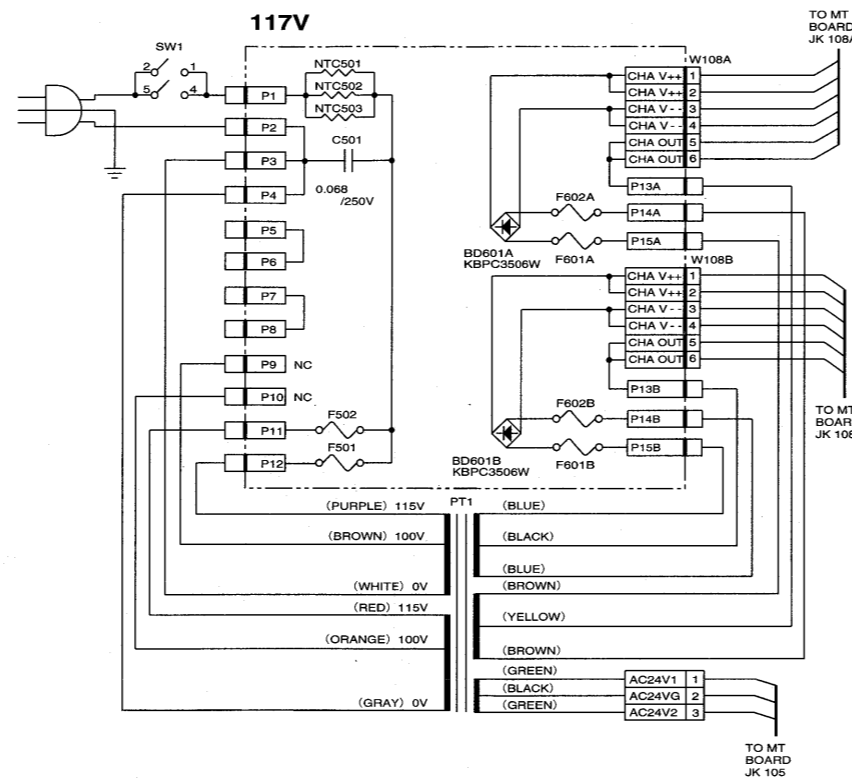
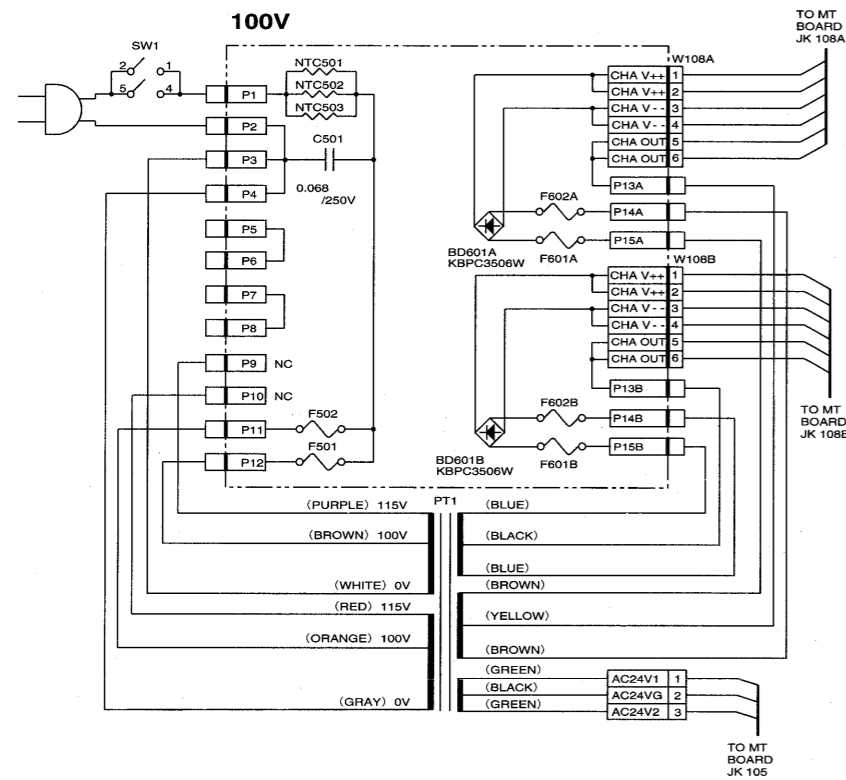
Q

R

S

T

U



- F501
SRA-800: 15A(100V / 117V / 230V)
SRA-540: 8A(100V / 117V / 230V)
SRA-260: 5A(100V / 117V / 230V)
- F502
SRA-800: 15A(100V / 117V), NO USE(230V)
SRA-540: 8A(100V / 117V), NO USE(230V)
SRA-260: 5A(100V / 117V), NO USE(230V)
- F601A(B), F602A(B)
SRA-800: 20A(100V / 117V / 230V)
SRA-540: 15A(100V / 117V / 230V)
SRA-260: 7A(100V / 117V / 230V)
- NTC501-503
SRA-800: N15SP2R5L
SRA-540: N15SP2R5L
- NTC501-502
SRA-260: N20SP010L