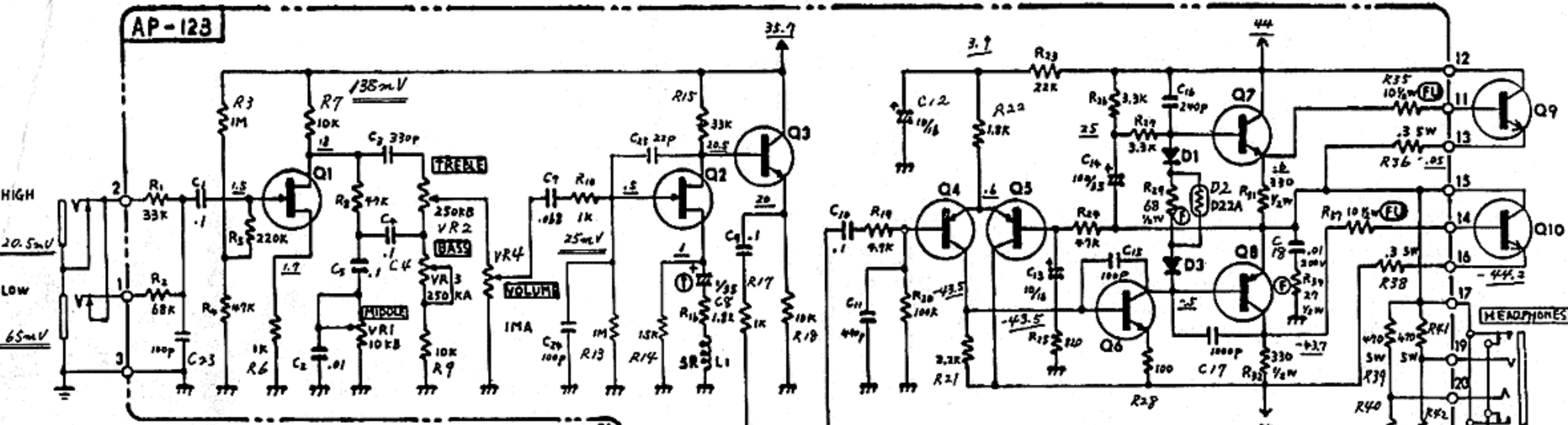


AP-123



- D1, 3, 4 - 1S2473
- D2 --- D22A
- D5 --- M4C31
- Q1, 2 --- 2SK117 GR
- Q3 ---- 2SC2240 GR
- Q4, 5 --- 2SA970 GR
- Q6 ---- 2SC1628 Y
- Q7 ---- 2SC1624 Y
- Q8 ---- 2SA814 Y
- Q9, 10 -- 2SD736A C or 2SD845

F --- Noninflammable resistor
 FU -- Fusing resistor

