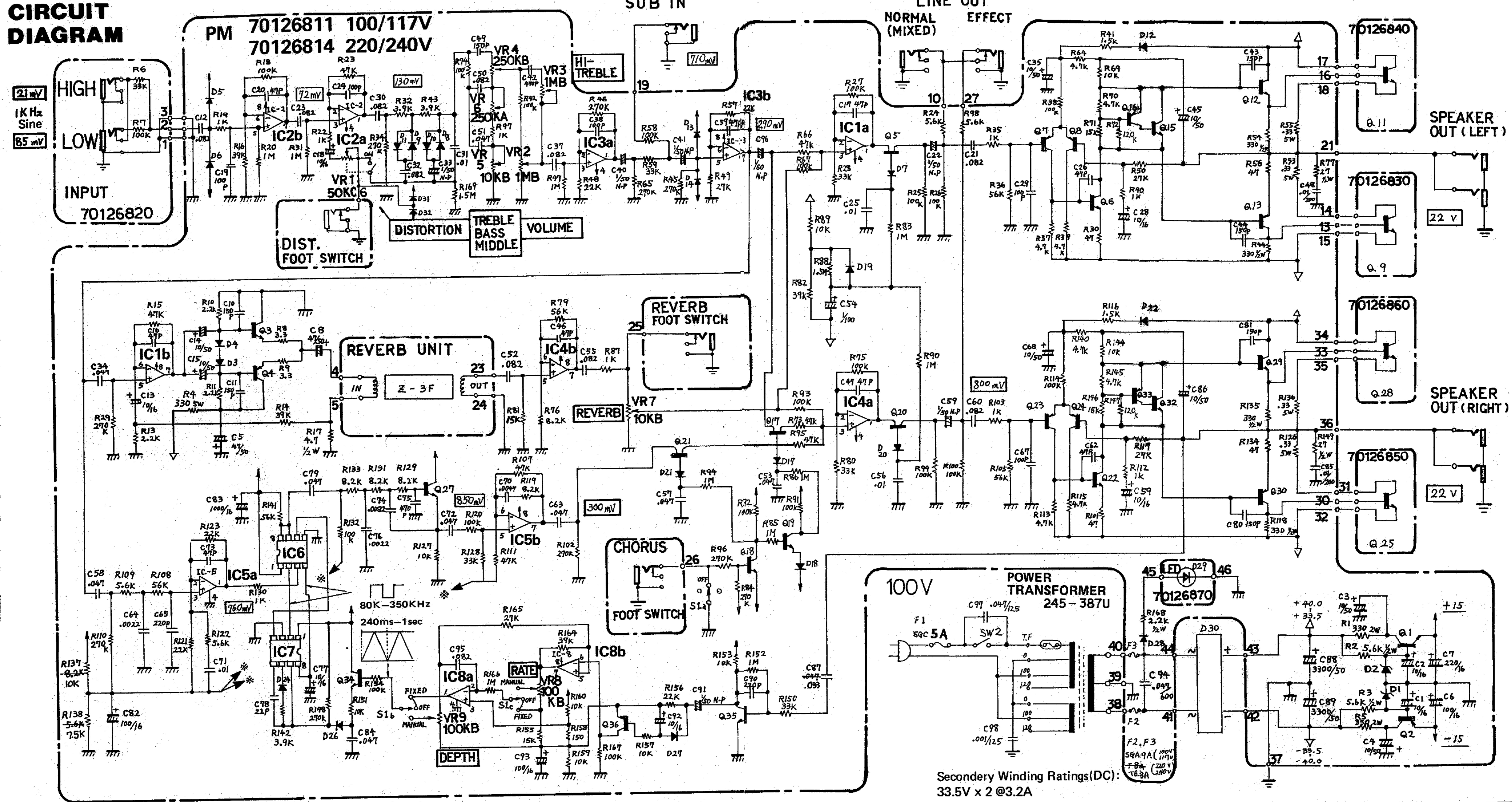
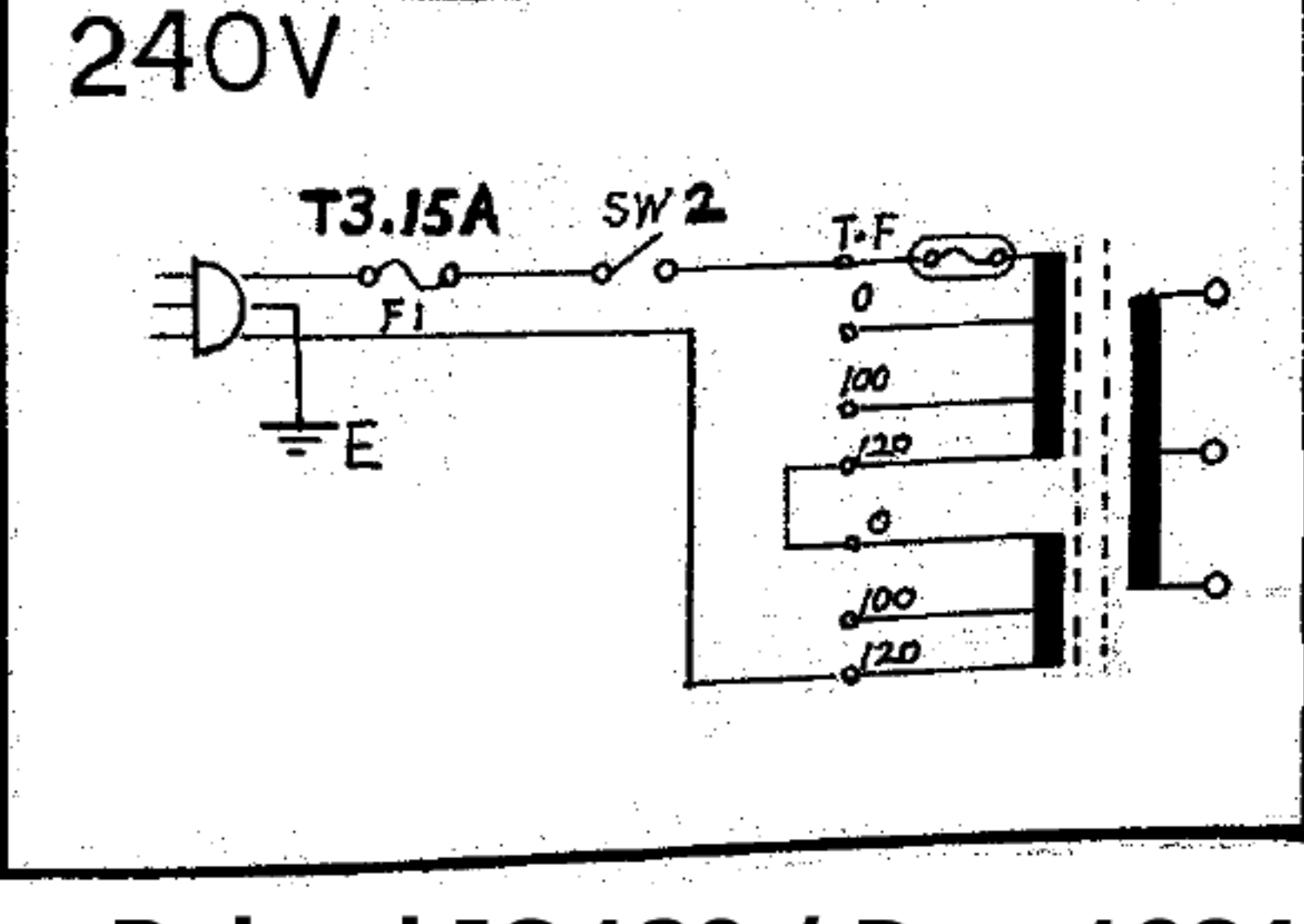
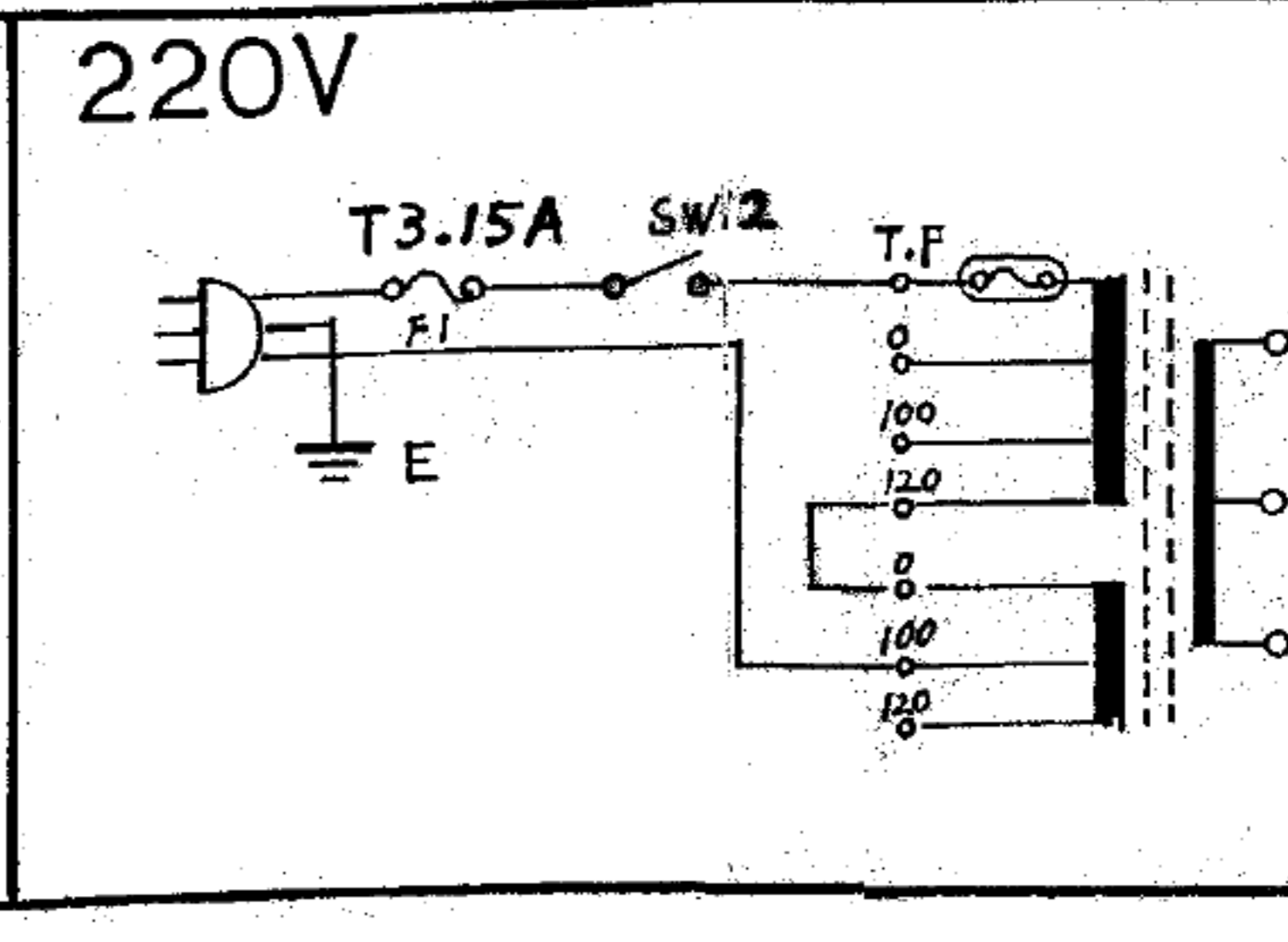
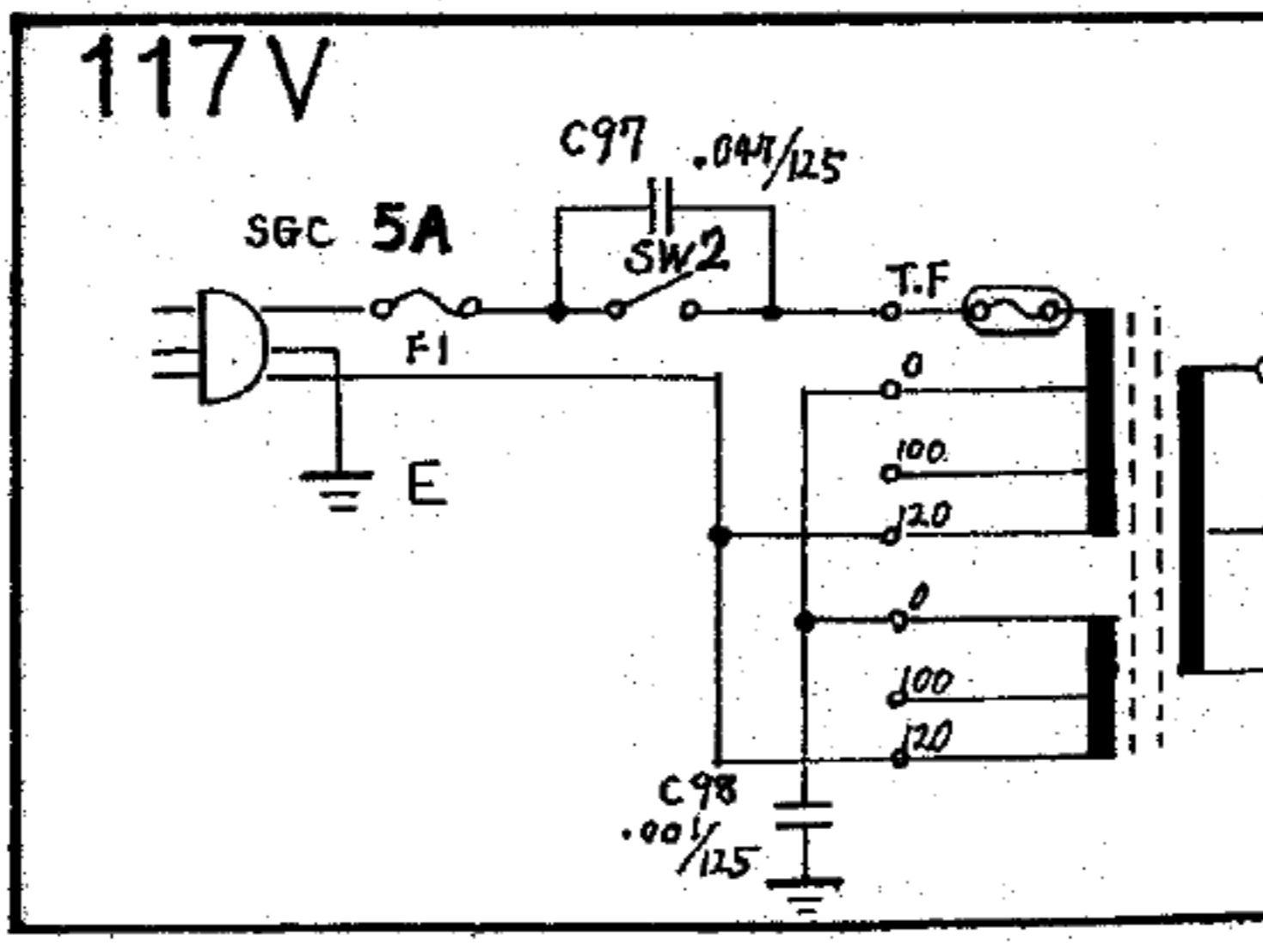


# CIRCUIT DIAGRAM



- IC1, 5, 8 ..... M5218L (or NJM4558S or LA6458S)
- IC6 ..... MN3007
- IC7 ..... MN3101
- Q2 ..... 2SB647-C (or 2SB649A-C)
- Q1, 3, 12, 29 ..... 2SD669A-C
- Q4, 13, 30 ..... 2SB649A-C
- Q6, 22 ..... 2SC2229-Y (or 2SD668A-C)
- Q7, 8, 16, 23, 24, 33 ..... 2SA970-GR
- Q9, 11, 25, 28 ..... 2SD845 (or 2SC2773-O)
- Q15, 32 ..... 2SC2240-GR
- Q18, 19, 27, 34, 35 ..... 2SC945-Q
- Q36 ..... 2SA1015-Y (or 2SA1015-GR)
- Q5, 17, 20, 21 ..... 2SK117-GR (or 2SK117-Y)

- D1, 2 ..... RD16EB2
  - D3-11, 13, 14, 17, 18, 20, 21, 24, 26, 27, 31, 32 ..... 1S2473 (or 1S1588 or DS442)
  - D12, 19, 22, 28 ..... S5500G (or 1N4003)
  - D29 ..... GL-5AR1
  - D30 ..... KBPC-802
- \*Signal Voltages (rms) Taken Under Conditions:
- Input ..... 1KHz sine
  - Equalizer ..... BASS ..... FCW
  - ..... MIDDLE ..... FCW
  - ..... TREBLE ..... FCW
  - ..... HI-TREBLE ..... FCW
  - ..... FCW



Secondary Winding Ratings (DC):  
33.5V x 2 @ 3.2A