

# Rhodes VK-1000

Rhodes ORGAN

## SERVICE NOTES

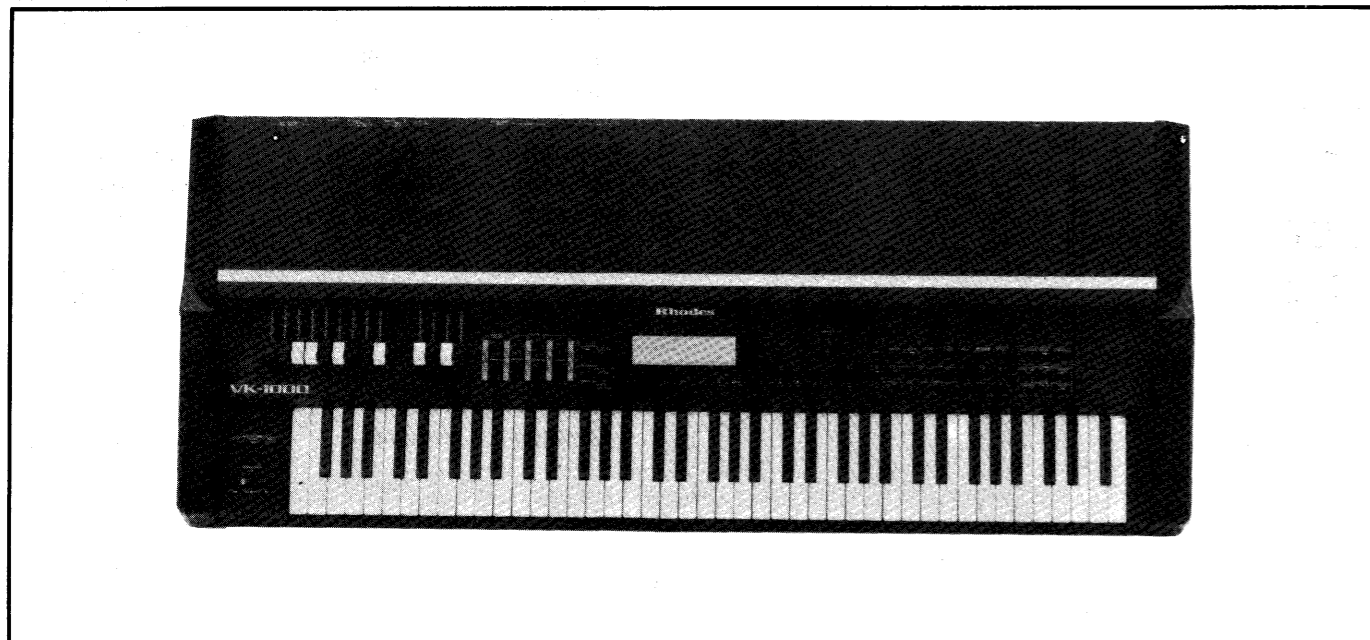
First Edition

### TABLE OF CONTENTS

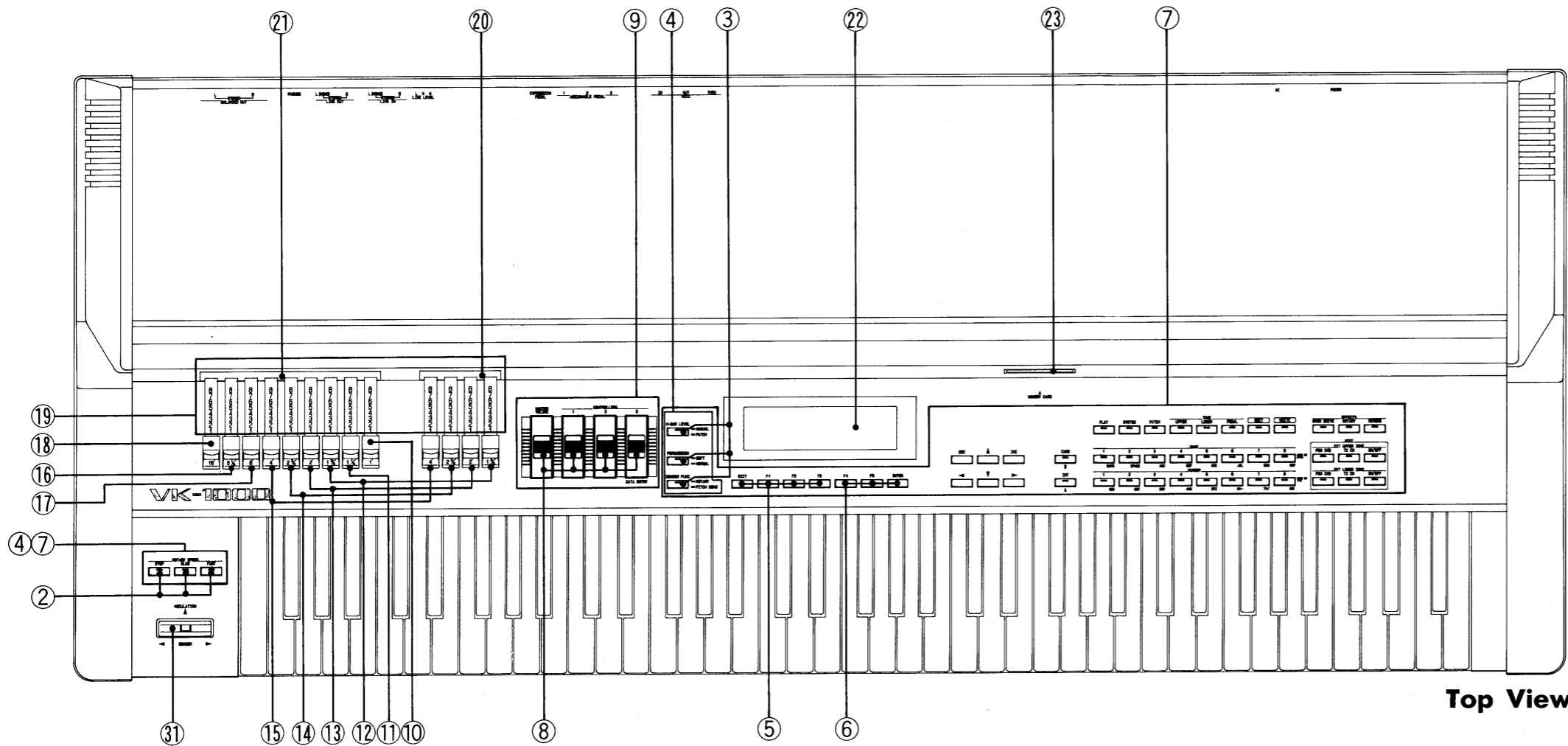
| TABLE OF CONTENTS                                   | 目次   | Page   |
|---|--|--------|
| SPECIFICATIONS .....                                | 仕様 .....   | 1      |
| LOCATION OF CONTROLS .....                          | パネル配置図 .....                                       | 2, 3   |
| EXPLODED VIEW .....                                 | 分解図 .....  | 3      |
| DISASSEMBLY .....                                   | 分解手順 .....   | 4      |
| BLOCK DIAGRAM .....                                 | ブロック図 .....  | 5      |
| PARTS LIST .....                                    | パーツリスト .....                                       | 6, 7   |
| KEYBOARD PARTS LIST .....                           | キーボードパーツリスト .....                                  | 7      |
| KEY DISASSEMBLY .....                               | 鍵盤分解手順 .....                                       | 8, 9   |
| LOADING THE FACTORY PRESET .....                    | ファクトリー・プリセットのロード方法 .....                           | 9      |
| IDENTIFYING VERSION NUMBER .....                    | バージョン・ナンバーの確認方法 .....                              | 9      |
| TEST MODE .....                                     | テスト・モード .....                                      | 9~11   |
| DATA SAVE/LOAD .....                                | データのセーブ/ロード .....                                  | 11~13  |
| ADJUSTMENT SPECIFICATIONS<br>"D/A ADJUSTMENT" ..... | 調整仕様 "D/A 調整" .....                                | 13     |
| MAIN BOARD .....                                    | MAIN BOARD .....                                   | 14, 15 |
| SWITCH-A BOARD .....                                | SWITCH-A BOARD .....                               | 16     |
| CARD BOARD .....                                    | CARD BOARD .....                                   | 16     |
| SWITCH-C BOARD .....                                | SWITCH-C BOARD .....                               | 16     |
| H-BAR UNIT ASS'Y .....                              | H-BAR UNIT ASS'Y .....                             | 17     |
| SWITCH-B BOARD .....                                | SWITCH-B BOARD .....                               | 18, 19 |
| JACK BOARD .....                                    | JACK BOARD .....                                   | 20, 21 |
| POWER SUPPLY BOARD ASS'Y<br>WITH TRANS BOARD .....  | POWER SUPPLY BOARD ASS'Y<br>WITH TRANS BOARD ..... | 22     |
| SK-876-A PCB 32P LOW P-7 ASS'Y .....                | SK-876-A PCB 32P LOW P-7 ASS'Y .....               | 23, 24 |
| SK-876-A PCB 32P MID P-7 ASS'Y .....                | SK-876-A PCB 32P MID P-7 ASS'Y .....               | 23, 24 |
| SK-876-A PCB 12P HI P-7 ASS'Y .....                 | SK-876-A PCB 12P HI P-7 ASS'Y .....                | 23, 24 |
| CHANGE INFORMATION .....                            | 変更案内 .....   | 25     |
| TROUBLESHOOTING .....                               | トラブルシューティング .....                                  | 26, 27 |
| APPENDIX .....                                      | 資料編 .....  | 28     |
| IC DATA .....                                       | IC データ .....                                       | 29     |
| STAND RS-80 .....                                   | スタンド RS-80 .....                                   | 30     |

### SPECIFICATIONS/仕様

|                          |  |
|--------------------------|--|
| ◎Keyboard .....          | 76 Keys, E to G, with Velocity   |
| ◎Sound source .....      | Adjustable SA Synthesis  |
| ◎Maximum Polyphony ..... | 16   |
| ◎Memory capacity .....   | Internal :64 Patches<br>Memory Card (M-256E) :64 Patches   |
| ◎LCD Display .....       | 240 x 64 dot backlit LCD   |
| ◎Output Level .....      | +4dBm (setting: power on settings, slider controllers: min,)<br>volume: max, 8 Keys on, percussion: normal   |
| ◎Pedal .....             | Expression pedal :0V(0) - 5V(127)<br>Assignable pedal 1 :0V(0) - 5V(127)<br>Assignable pedal 2 :0V(0) - 5V(127)<br>Assignable pedal 3 :0V(0) - 5V(127)   |
| ◎Consumption .....       | 20W (100V, 117V)<br>25W (230V, 240V)   |
| ◎Dimensions .....        | 1255(W) x 520(D) x 115(H) mm<br>49-7/16(W) x 20-1/2(D) x 4-1/2(H) inches   |
| ◎Weight .....            | 22.0 kg / 48 lb 8 oz   |
| ◎Accessories .....       | Owner's Manual Set (Japanese) :26045511<br>Owner's Manual Set (English) :26045512<br>△AC Cord (Detachable/脱着式)<br>100V (DC-015-J01) :23495112<br>117V (UC-704-J01) :13439812F0<br>220V (EC-210-E06) :13439813F0<br>240VE (5722-660-4606) :23495110<br>240VA (SC-415-J06) :13439814F0<br>Audio Cable (PJ-1M) :***** |
| ◎Options .....           | RS-80 (Stand)<br>M-256E (Memory Card)<br>RH-12/100 (Stereo Headphone)<br>DP-2R/6R, FS-5U (Pedal Switch)<br>EV-5/10 (Expression Pedal)<br>PK-5 (Dynamic MIDI Pedal)   |



LOCATION OF CONTROLS/パネル配置図

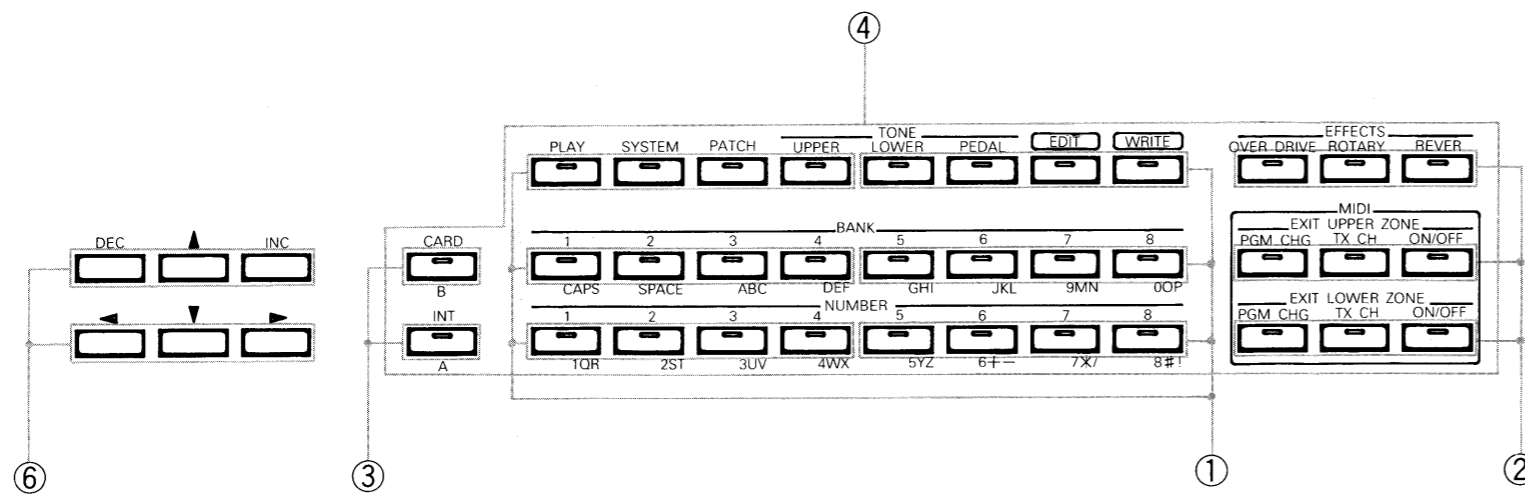


| NO. | PARTS NUMBER | PARTS NAME          |             |
|-----|--------------|---------------------|-------------|
| ①   | 22495272     | Key Top 4P (window) | 249-272     |
| ②   | 22495279     | Key Top 3P (window) | 249-279     |
| ③   | 22495277     | Key Top 1P (window) | 249-277     |
| ④   | 15029380     | SLR55VC80F215 TP    | LED         |
| ⑤   | 22495271     | Key Top 4P          | 249-271     |
| ⑥   | 22495276     | Key Top 3P          | 249-276     |
| ⑦   | 13169697     | SKHVBD 100G tape    | Tact Switch |
| ⑧   | 32485261     | Slide Knob          | 248-261     |
| ⑨   | 22225366     | Escutcheon          | 222-366     |
|     | 22245472     | Pot Dust Cover      | 224-472     |
| ⑩   | 13339960     | RS3011              | Slide VR    |
|     | 32485222     | H-Bar Knob 1        | 248-222     |
| ⑪   | 32485223     | H-Bar Knob 1 1/3    | 248-223     |
| ⑫   | 32485224     | H-Bar Knob 1 3/5    | 248-224     |
| ⑬   | 32485225     | H-Bar Knob 2        | 248-225     |
| ⑭   | 32485226     | H-Bar Knob 2 2/3    | 248-226     |
| ⑮   | 32485227     | H-Bar Knob 4        | 248-227     |
| ⑯   | 32485228     | H-Bar Knob 5 1/3    | 248-228     |
| ⑰   | 32485229     | H-Bar Knob 8        | 248-229     |
| ⑱   | 32485230     | H-Bar Knob 16       | 248-230     |
| ⑲   | 13339959     | RS40D113A H-Bar     | Slide VR    |
| ⑳   | 22225364     | Escutcheon S        | 222-364     |
| ㉑   | 22225363     | Escutcheon L        | 222-363     |
| ㉒   | 22045324     | Display Cover       | 204-324     |
|     | 15029483     | TLX-711A-30TA1      | LCD Unit    |

NOTE: Replacement LCD Unit should be made on a unit basis.

No replacements available for individual parts.  
Replacement only by a unit.

注：LCD Unitの交換は、ユニット単位でおこなって下さい。  
補修品は、ユニット単位。

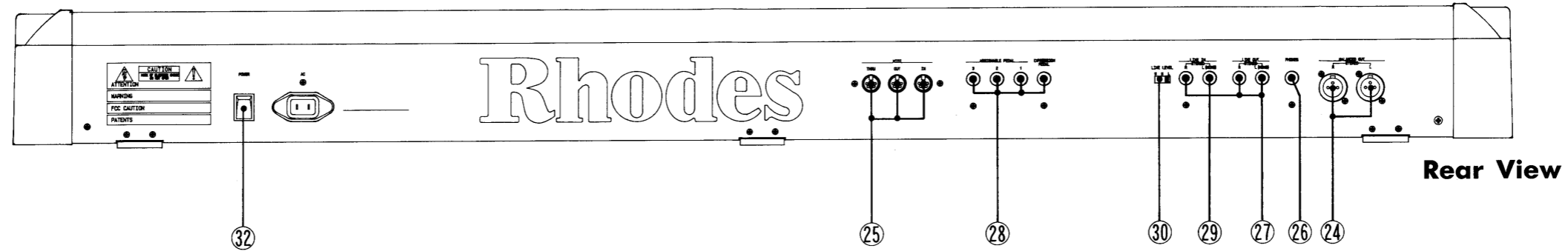


|   |          |                  |                  |
|---|----------|------------------|------------------|
| ㉓ | 22200188 | Card Holder      | 220-188          |
|   | 22205603 | Card Holder      | 220-603          |
| ㉔ | 13429679 | AF3LS-PG-RT      | CANNON Connector |
| ㉕ | 13429274 | YKF51-5041       | MIDI Connector   |
| ㉖ | 13449145 | YKB21-5010       | Jack             |
| ㉗ | 13449146 | YKB21-5012       | Jack             |
| ㉘ | 13449275 | YKB21-5074       | Jack             |
| ㉙ | 13449252 | YKB21-5006       | Stereo Jack      |
| ㉚ | 13159354 | SSSP12           | Slide Switch     |
| ㉛ | 23275892 | PB-A0102 327-892 | Pitch Bender     |

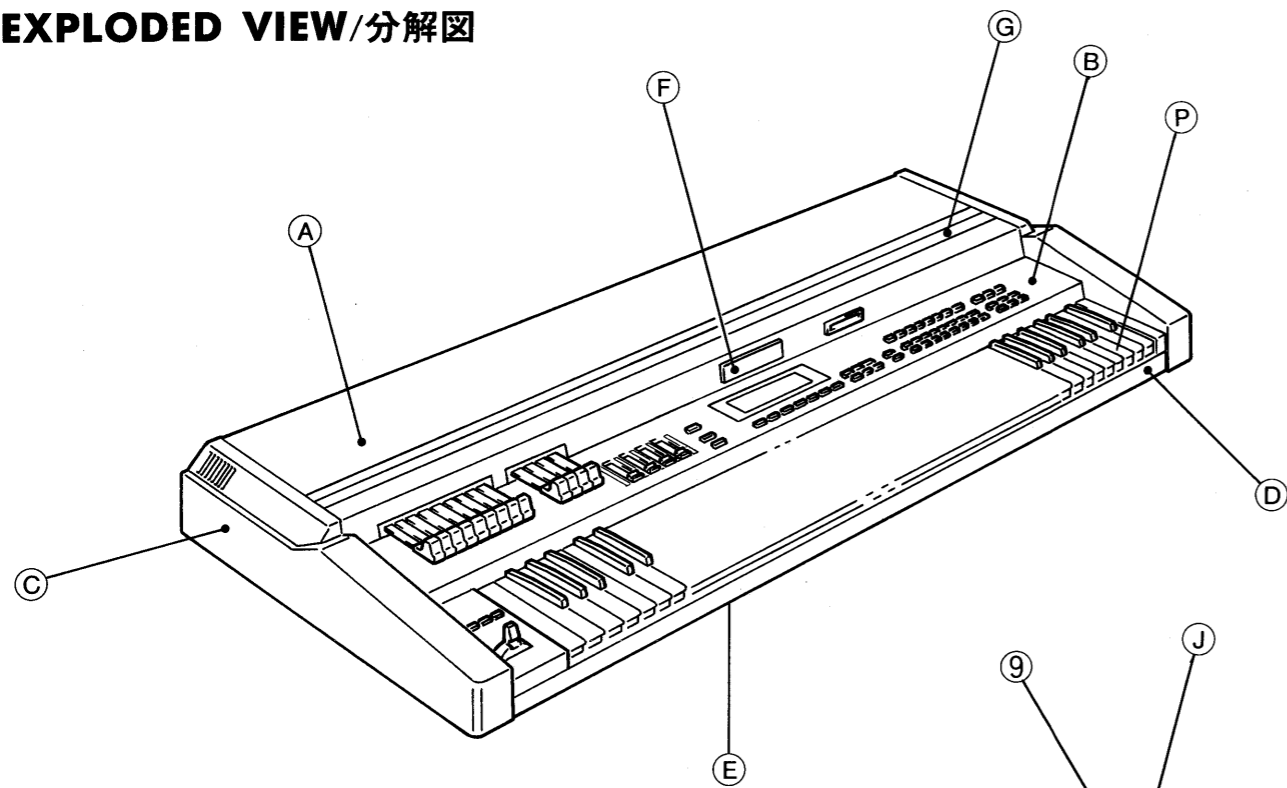
NOTE: Replacement should be made on a unit basis.  
No replacements available for individual parts.  
Replacement only by a unit.

注：交換は、ユニット単位でおこなって下さい。  
補修品は、ユニット単位。

|   |          |        |              |
|---|----------|--------|--------------|
| ㉜ | 13149108 | WK2A44 | Power Switch |
|---|----------|--------|--------------|



**EXPLODED VIEW/分解図**

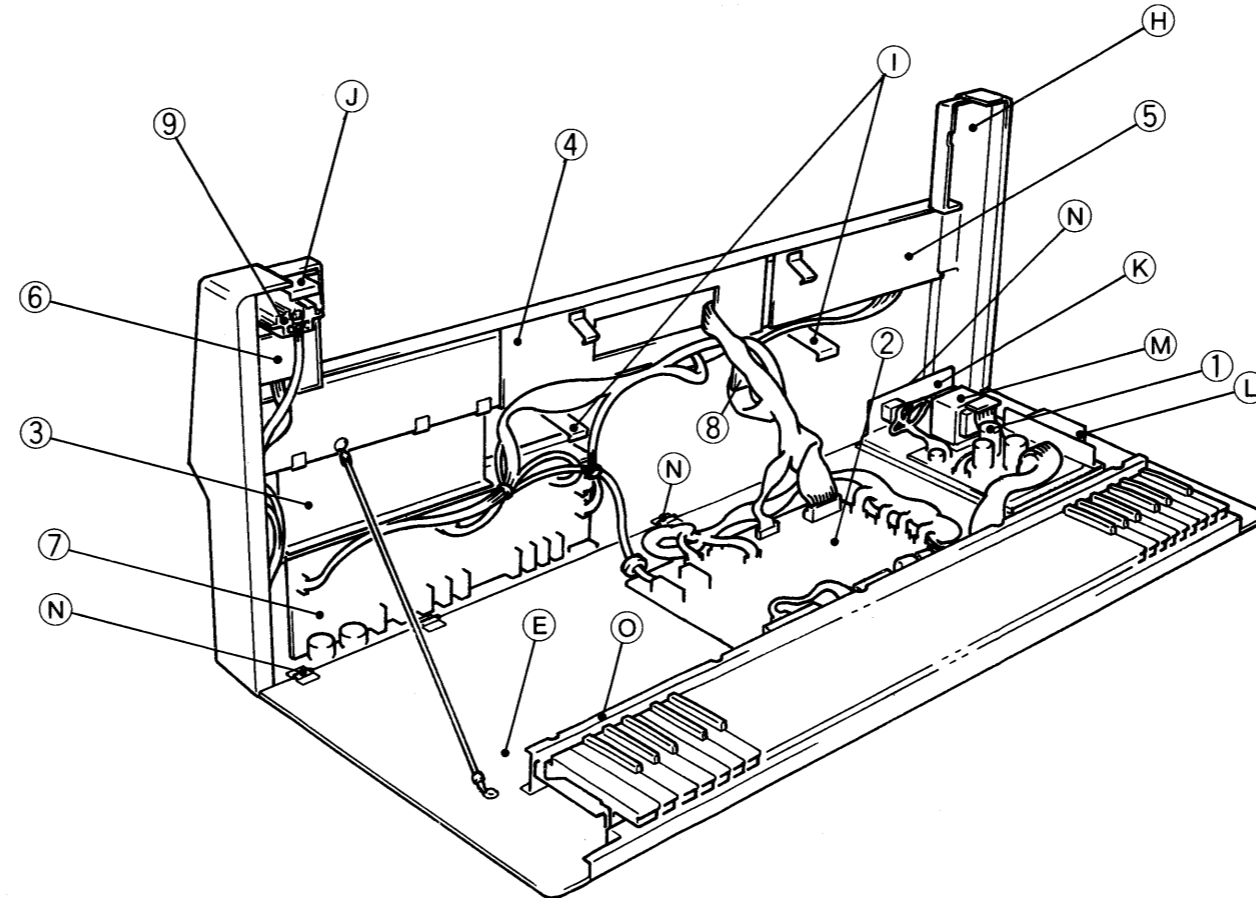


| NO. | PARTS NUMBER | PARTS NAME                               |                |
|-----|--------------|--|----------------|
| ①   | 7625639000   | Power Supply Board assy with Trans Board | (pcb 22935102) |
| E②  | 7625690000   | Main Board assy                          | (pcb 22925931) |
| ③   | 7625634000   | H-Bar Unit assy                          | (pcb 22935101) |
| ④   | 7625608000   | Switch-A Board assy                      | (pcb 22925997) |
| ⑤   | 7625611000   | Switch-B Board assy                      | (pcb 22925998) |
| ⑥   | 7625618000   | Switch-C Board assy                      | (pcb 22925997) |
| ⑦   | 7625631000   | Jack Board assy                          | (pcb 22925999) |
| ⑧   | 7625607000   | Card Board assy                          | (pcb 22925997) |
| ⑨   | 23275892     | PB-A0102 327-892                         | Pitch Bender   |

NOTE: Replacement should be made on a unit basis.  
No replacements available for individual parts.  
Replacement only by a unit.

注：交換は、ユニット単位でおこなって下さい。  
補修品は、ユニット単位。

|   |            |                   |                                 |
|---|------------|-------------------|---------------------------------|
| A | 22225458   | Top Panel         | 222-458                         |
| B | 22225457   | Front Panel       | 222-457                         |
| C | 21125502   | Side Panel L      | 112-502                         |
|   | 21125503   | Side Panel R      | 112-503                         |
| D | 22235334   | Blind             | 223-334 ←※1                     |
| E | 21135248   | Bottom Board      | 113-248 ←※2                     |
| F | 22515110   | Badge             | 251-110                         |
| G | 22125340   | Plate             | 212-340                         |
| H | 22205606   | Side Holder L     | 220-606 ←※1                     |
|   | 22205605   | Side Holder R     | 220-605 ←※1                     |
| I | 22205604   | Center Holder     | 220-604                         |
| J | 22205615   | Holder            | 220-615                         |
| K | 22205601   | Trans Holder      | 220-601                         |
| L | 22465927   | Heat Sink         | 246-927                         |
| M | 22455641U0 | Power Transformer |                                 |
| N | 22325140   | Hinge             | 232-140 (Prior to SNo.ZC81049)  |
|   | 22325154   | Hinge             | 232-154 (SNo.ZC81050-up/以降) ←※2 |
| O | 22125690   | ANGLE             | 212-690 ←※2                     |
| P | 7625620000 | Keyboard (76Key)  | SK-876A                         |



※1: Shape changed for SNo. ZC80950 and up with compatibility.  
※2: Shape changed for SNo. ZC81050 and up but without compatibility.

Parts of new shape are supplied as repair parts. When changing the Bottom Board and/or Angle of the VK1000 having SNo. ZC81049 and down, the Bottom Board, Angle and Hinge must be changed at the same time. Note that parts of old shape are available for the Hinge only.

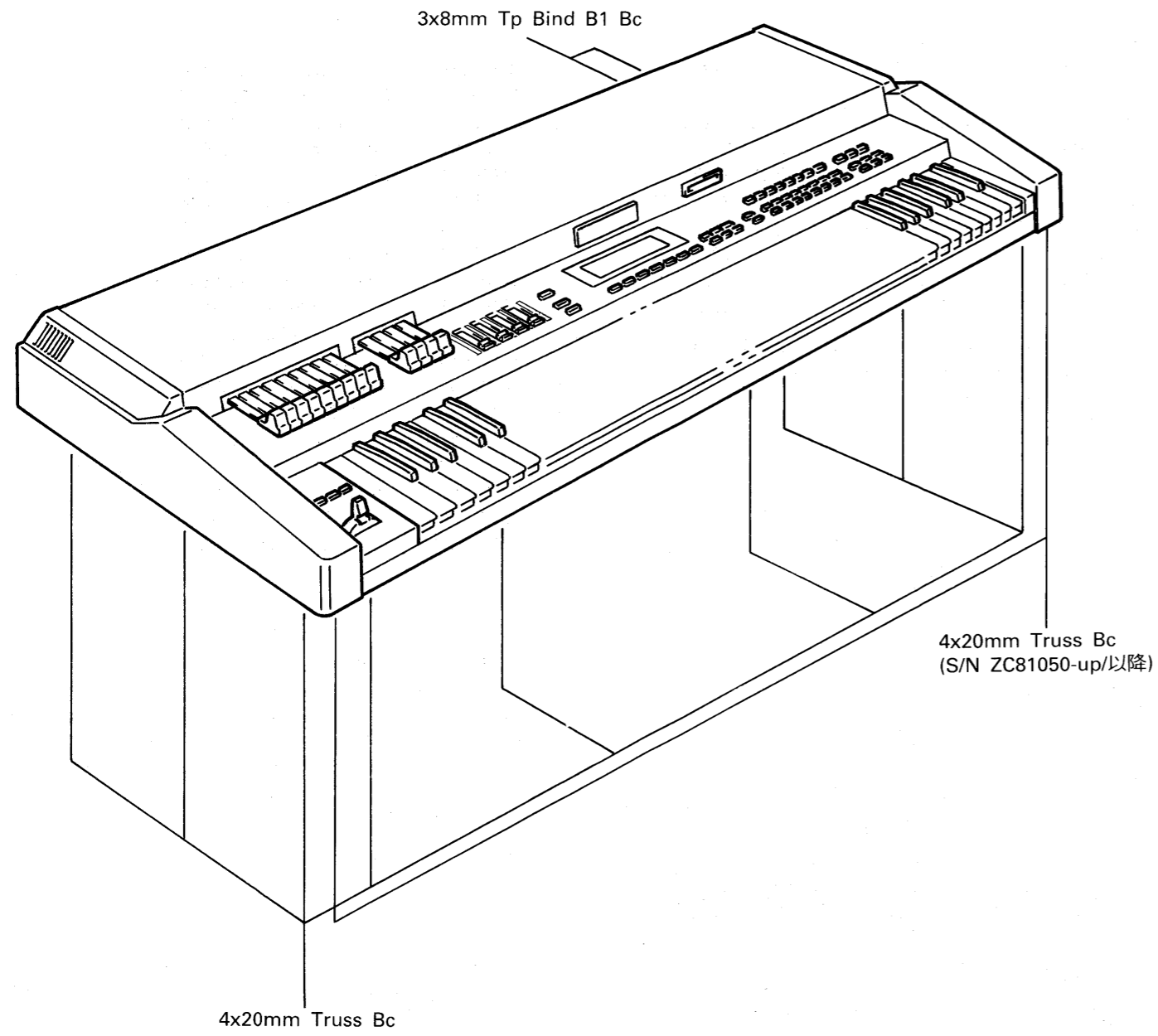
※1: SNo.ZC80950 以降 形状変更, 但し, 互換性有り。

※2: SNo.ZC81050 以降 形状変更, 但し, 互換性無しなので注意して下さい。

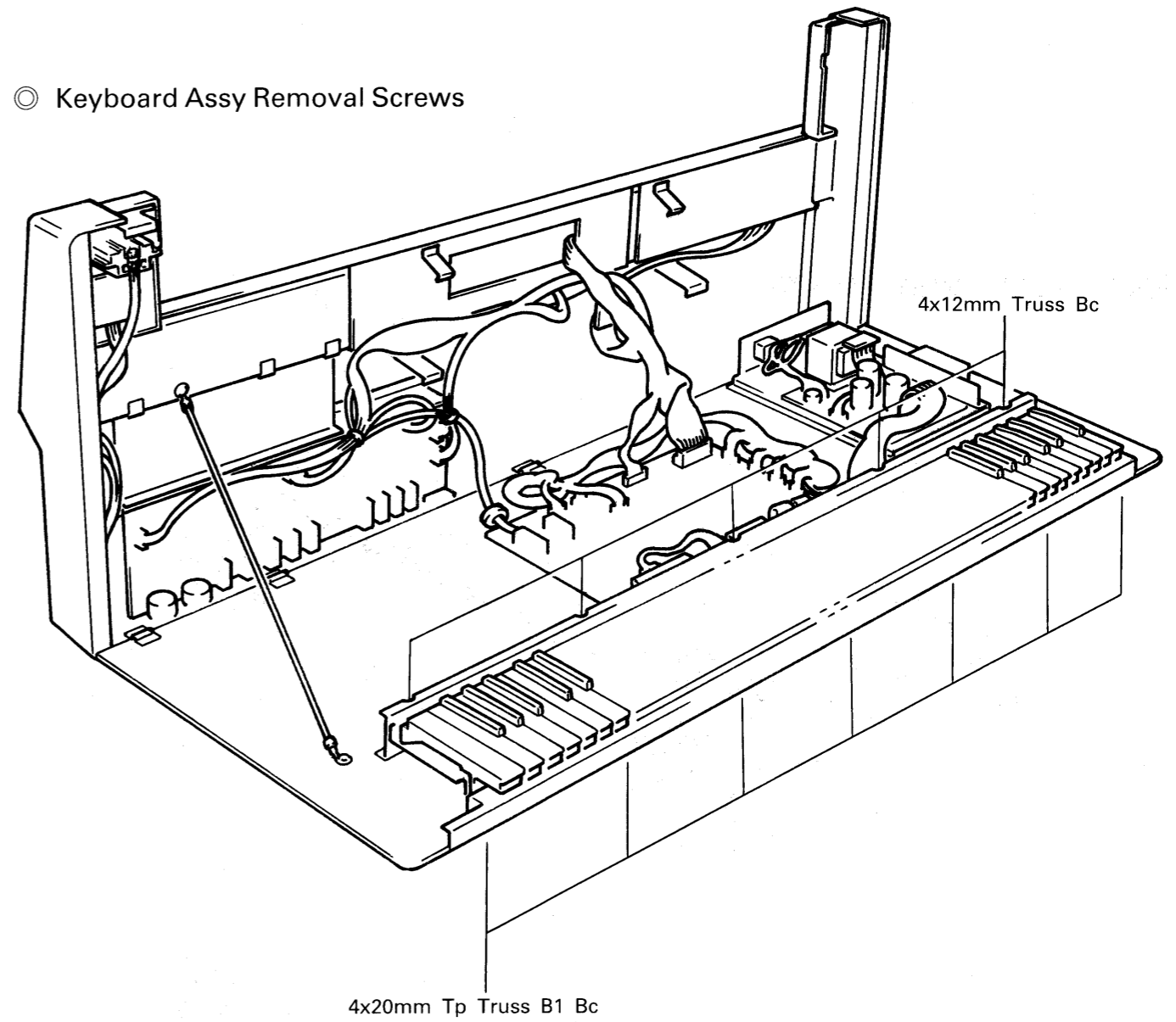
補修用部品としては, 形状変更後の部品が供給されますので, SNo.ZC81049 以前の VK1000 の Bottom Board, Angle を交換する際は, Bottom Board, Angle, Hinge を同時に交換して下さい。但し, Hinge だけは, 形状変更前の部品も供給されます。

### DISASSEMBLY/分解手順

#### ◎ Top Panel Removal Screws

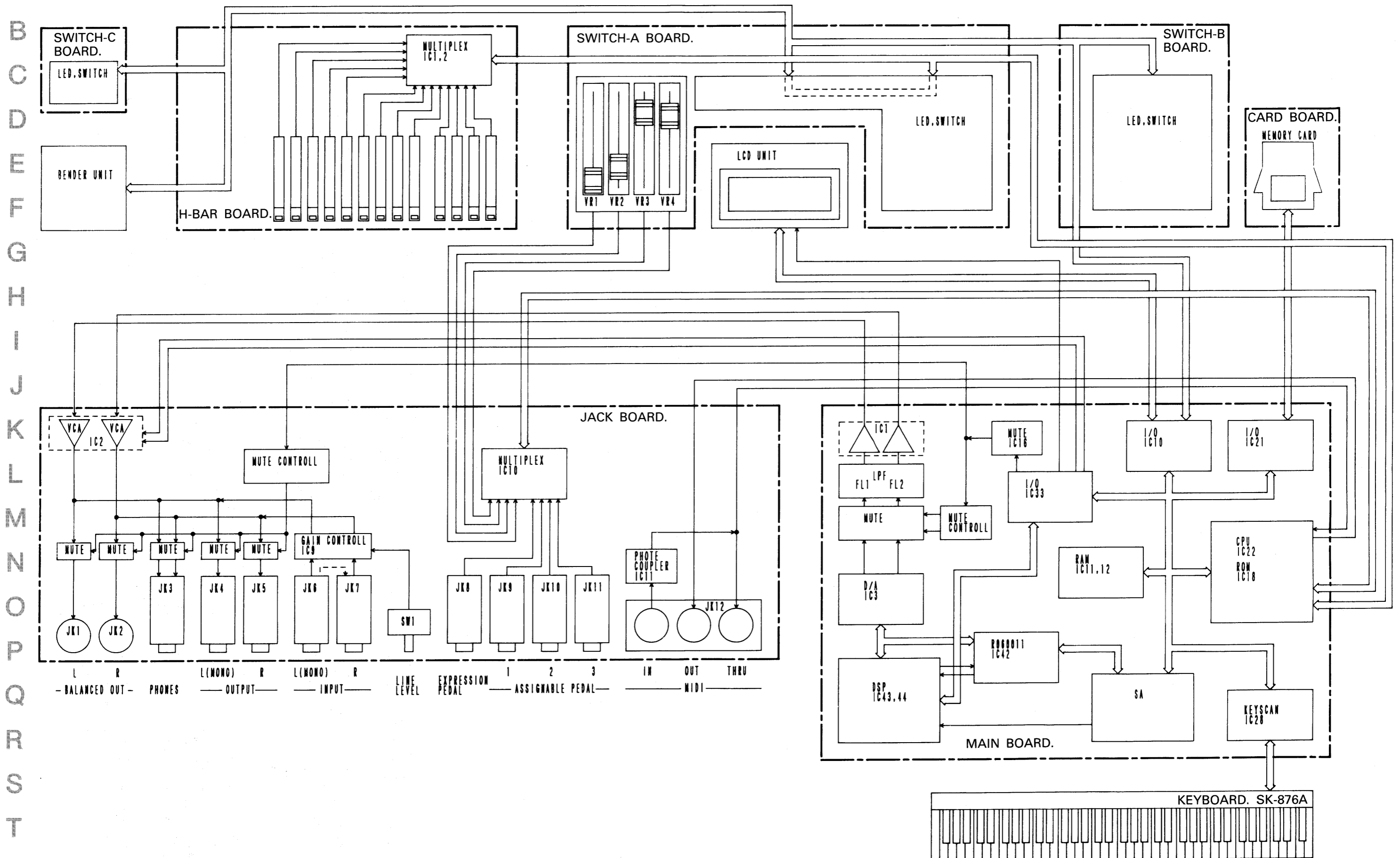


#### ◎ Keyboard Assy Removal Screws



1 2 3 4 5 6 7 8 9 10 11 12 13 14 15 16 17 18 19 20 21 22 23 24 25 26 27 28 29 30

A **BLOCK DIAGRAM/ブロック図**



B  
C  
D  
E  
F  
G  
H  
I  
J  
K  
L  
M  
N  
O  
P  
Q  
R  
S  
T  
U

PARTS LIST/パーツリスト

SAFETY PRECAUTIONS:

The parts marked Δ have safety-related characteristics. Use only listed parts for replacement.

安全上の注意: Δが付いている部品は、安全上特別な規格でつくられたものです。

CONSIDERATIONS ON PARTS ORDERING

When ordering any parts listed in the parts list, please specify the following items in the order sheet.

パーツ発注に関するお願い: オーダーシートには、必ず下記の4項目は正確に記載して下さい。(例外は除く)

Table with 4 columns: Part Code, Description, Part Code, Description. Lists components like Main Board Assy, Switch-A Board Assy, etc.

CASING/ケース

Table of casing parts including Front Panel, Top Panel, Blind, Bottom Board, Plate, Badge, Escutcheon, etc.

CHASSIS/シャーシ

Table of chassis parts including Side Holder R, Side Holder L, Holder, Main Holder, Display Holder, Trans Holder, Heat Sink, etc.

KNOB, BUTTON/ツマミ, ツマミ

Table of knob and button parts including Key Top 4P, Key Top 3P, Key Top 1P, Key Top 4P, Key Top 3P, Slide Knob, H-Bar Knob, etc.

SWITCH/スイッチ

Table of switch parts including WK2A44, SKHVBD 100G tape, SSSP12, SSSS21067A.

JACK, SOCKET/ジャック, ソケット

Table of jack and socket parts including AF3LS-PG-RT, YKF51-5041, YKB21-5010, etc.

DISPLAY UNIT/表示ユニット

Table of display unit parts including TLX-711A-30TA1 LCD Unit.

NOTE: Replacement should be made on a unit basis. No replacements available for individual parts. Replacement only by a unit. 注: 交換は、ユニット単位でおこなってください。

POWER SUPPLY UNIT/電源ユニット

Table of power supply unit parts including PS Unit (100V), PS Unit (117V), PS Unit (230V), PS Unit (240V).

BENDER UNIT/ベンダーユニット

Table of bender unit parts including PB-A0102 327-892 Pitch Bender. Includes a note about replacement.

KEYBOARD/鍵盤完成品

Table of keyboard parts including Keyboard (76Key) SK-876A. Includes a note about referring to a parts list.

注: 詳細は、「KEYBOARD PARTS LIST SK-876A」(P.7)を参照して下さい。

PCB ASSY/基板完成品

Table of PCB assembly parts including Main Board Assy, Switch-A Board Assy, Card Board Assy, etc.

IC/集積回路

Large table of IC components including HD6475328F, HD6435328F, LH530800, MASK ROM, etc.

TRANSISTOR/トランジスタ

Table of transistor parts including 2SA1037K R T-96, 2SC3326A TE-85L, 2SC2412KR T-96, etc.

DIODE/ダイオード

Table of diode parts including DAN202K T-96, MA-153 TP, RB420D T-146, etc.

RESISTOR/抵抗

Table of resistor parts including RHE0A150RA, RGLD 6X103J, RGLD 8X103J, etc.

POTENTIOMETER/ボリューム

Table of potentiometer parts including RS30111, RS40D113A H-Bar.

CAPACITOR/コンデンサー

Table of capacitor parts including CXKD 4X101M, DE7150F472MVA1, SME16VN10000, etc.

INDUCTOR, COIL, FILTER/インダクタ, コイル, フィルター

Table of inductor, coil, and filter parts including FK0B-160MH15, FBR07HA850TB00, etc.

CRYSTAL, RESONATOR/クristal, 発振子

Table of crystal and resonator parts including MA-506 20.000MHZ TP, MA-506 20.48M TP, etc.

FUSE, FUSE HOLDER/ヒューズ, ヒューズ・ホルダー

Table of fuse and fuse holder parts including 19198-400MAT, CEE-200MAT WICKMANN, etc.

CONNECTOR/コネクタ

Large table of connector parts including 7508095A, 53014-0310, 53014-0410, etc.

WIRING, CABLE/ワイヤリング, ケーブル

|          |                     |                      |
|----------|---------------------|----------------------|
| 23485714 | W1-1 (8P)           | PSB - MB             |
| 23485715 | W1-2 (6P)           | PSB - MB             |
| 23485716 | W1-3 (5P)           | PSB - MB             |
| 23485717 | W1-4 (5P)           | PSB - JB             |
| 23485718 | W1-5 (9P)           | PSB - SAB            |
| 23485719 | W1-6 (7P)           | PSB - MB             |
| 23485720 | W1-7 (7P)           | PSB - JB             |
| 23485721 | W1-8 (4P)           | PSB - MB             |
| 23485722 | W1-9 (3P)           | PSB - LCD            |
| 23485723 | W1-10 (6P) Board in | PSB - TRANS          |
| 23485724 | W2-1 (14P) Board in | SAB - HBU            |
| 23485725 | W2-2 (10P)          | SAB - HBU            |
| 23485726 | W2-3 (6P) Board in  | SAB - JB             |
| 23485727 | W2-4 (13P)          | SAB - MB             |
| 23485728 | W3-1 (10P) Board in | SAB - SBB            |
| 23485729 | W3-2 (8P) Board in  | SAB - SBB            |
| 23485730 | W3-3 (11P)          | SBB - MB             |
| 23485731 | W3-4 (5P)           | SBB - MB             |
| 23485732 | W4-1 (7P) Board in  | SCB - HBU            |
| 23485733 | W5-1 (10P)          | JB - MB              |
| 23485734 | W5-2 (8P)           | JB - MB              |
| 23485735 | W5-3 (4P)           | JB - MB              |
| 23485887 | W5-4 (3P)           | JB - MB              |
| 23485736 | W6-1 (40P Flat)     | CB - MB              |
| 23485737 | W7-1 (20P Flat)     | LCD - MB             |
| 23485838 | J1-1                | PSB - TRANS          |
| 23485832 | J1-1 (117V)         | PSB - TRANS          |
| 23485739 | J1-2                | PSB - Pow.Sw.- INLET |
| 23485831 | J1-2 (117V)         | PSB - Pow.Sw.- INLET |
| 23485859 | J2                  | Stay                 |

TRANSFORMER/トランス

|             |                   |
|-------------|-------------------|
| △22455641U0 | Power Transformer |
|-------------|-------------------|

AC INLET/OUTLET/AC インレット/アウトレット

|           |             |            |
|-----------|-------------|------------|
| △13429718 | CM-11 (3P)  | 100V, 240V |
| △13429710 | PA-126 (2P) | 117V, 220V |

BATTERY/電池

|             |                |                |    |
|-------------|----------------|----------------|----|
| △12569249S0 | CR2032         | Litium Battery | MB |
| 12569420    | Battery Holder | for CR2032     | MB |

SCREW/ネジ類

|       |                           |
|-------|---------------------------|
| ***** | 4x12 mm Truss Bc          |
| ***** | 3x8 mm Binding Bc         |
| ***** | 4x20 mm Truss Bc          |
| ***** | 3x6 mm Tp Bind B1 Bc      |
| ***** | 3x8 mm Tp Bind B1 Bc      |
| ***** | 3x8 mm P-Tight Cm         |
| ***** | 3x8 mm B-Tight Binding Cm |
| ***** | 4x20 mm Tp Truss B1 Bc    |
| ***** | 4x8 mm P-Tight Cm         |
| ***** | M3 Speed Nut              |

MISCELLANEOUS/その他

|          |                 |           |     |
|----------|-----------------|-----------|-----|
| 12449609 | Inverter Module | NI03-05-5 | PSB |
| 22175320 | Spring          | 217-320   |     |
| 22175318 | Panel Spring    | 217-318   |     |

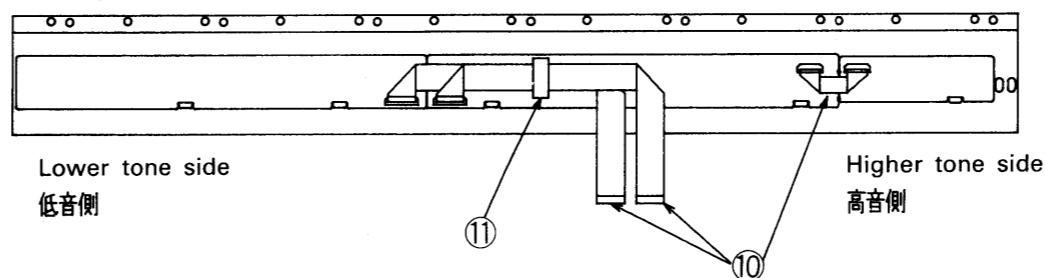
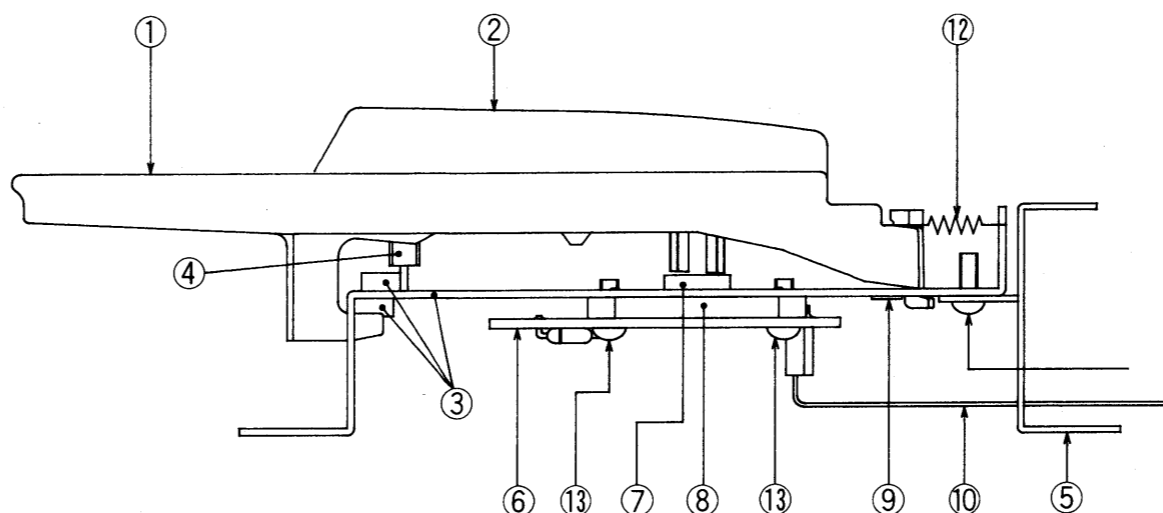
ACCESSORIES/標準付属品

|             |                            |                          |
|-------------|----------------------------|--------------------------|
| 26045511    | Owner's Manual set         | Japanese                 |
| 26045512    | Owner's Manual set         | English                  |
| △23495112   | DC-015-J01 100V            | AC Cord (Detachable/脱着式) |
| △13439812F0 | UC-704-J01 117V            | AC Cord (Detachable/脱着式) |
| △13439813F0 | EC-210-E06 220V            | AC Cord (Detachable/脱着式) |
| △23495110   | 5722-660-4606 240V-England | AC Cord (Detachable/脱着式) |
| △13439814F0 | SC-415-J06 240V-Australia  | AC Cord (Detachable/脱着式) |

OPTIONS/別売品

|  |       |       |
|--|-------|-------|
| *****  | RS-80 | STAND |
| NOTE: Refer to the "STAND RS-80 PARTS LIST" (P. 30) for details. |       |       |
| 注: 詳細は, "STAND RS-80 PARTS LIST" (P. 30) を参照して下さい。               |       |       |

KEYBOARD PARTS LIST/キーボードパーツリスト



| No. | PARTS NUMBER  | PARTS NAME                                 |
|-----|---|--|
| ①   | 22575349W0  | NATURAL KEY C/F                            |
|     | 22575348W0  | NATURAL KEY E/B                            |
|     | 22575350W0  | NATURAL KEY D                              |
|     | 22575351W0  | NATURAL KEY G                              |
|     | 22575347W0  | NATURAL KEY A                              |
|     | 22575352W0  | NATURAL KEY E'/B'                          |
|     | 22575354W0  | NATURAL KEY G'                             |
| ②   | 22575355W0  | SHARP KEY                                  |
| ③   | 22815806  | CHASSIS 76P-A ASSY                         |
|     | NOTE: CHASSIS 76P-A ASSY includes the following 3 parts.    |  |
|     | 注: CHASSIS 76P-A ASSY は, 下記の3部品を含みます。                       |  |
|     | 22815792  | CHASSIS 76P-A                              |
|     | 22265494  | FELT A 76KEY 226-494                       |
|     | 22265530  | CUSHION 76P-A                              |
| ④   | 22155909  | GUIDE BUSH 215-909                         |
| ⑤   | 22125690  | ANGLE 212-690                              |
| ⑥   | 7625621000  | SK-876-A PCB P-7 ASSY                      |
|     | NOTE: SK-876-A PCB P-7 ASSY includes the following 3 parts. |  |
|     | 注: SK-876-A PCB P-7 ASSY は, 下記の3部品を含みます。                    |  |
|     | 7625622000  | SK-876-A PCB 32P LOW P-7 ASSY              |
|     | 7625623000  | SK-876-A PCB 32P MID P-7 ASSY              |
|     | 7625623000  | SK-876-A PCB 12P HI P-7 ASSY               |
| ⑦   | 22185253  | RUBBER SWITCH 12P                          |
|     | 22185254  | RUBBER SWITCH 13P                          |
|     | 22185252  | RUBBER SWITCH 8PL                          |
|     | 22185251  | RUBBER SWITCH 7PL                          |
| ⑧   | 32205597  | PCB SPACER 12P                             |
|     | 32205598  | PCB SPACER 13P                             |
|     | 32205596  | PCB SPACER 8PL                             |
|     | 32205595  | PCB SPACER 7PL                             |
| ⑨   | 22135445  | 76P STOPPER-A 213-445                      |
|     | 22135446  | 76P STOPPER-B 213-446                      |
| ⑩   | 23475370  | FUJI CARD 12x70-A6.0BB-H10 P1.25           |
|     | 23475343  | FUJI CARD 16x380-A5.0BB-P1.25              |
|     | 23475344  | FUJI CARD 20x380-A5.0BB-P1.25              |
| ⑪   | 22365101  | MINI FLAT CABLE CLIP LFC-30N-O             |
| ⑫   | *****   | SPRING                                     |
| ⑬   | *****   | 3x10mm Binding Head Tap tite screws B tite |
| ⑭   | *****   | 3x 8mm Binding Head Tap tite screws B tite |

# KEY DISASSEMBLY / 鍵盤分解手順

## 1. INSTALLATION OF PCB'S

## 1. 基盤の取り付け方

Parts required/必要部品

| PARTS No.  | PARTS NAME                       | 員数 |
|------------|----------------------------------|----|
| 7625622000 | SK-876-A PCB 32PLOW P-7 ASSY     | 1  |
| 7625623000 | SK-876-A PCB 32PMID P-7 ASSY     | 1  |
| 7625624000 | SK-876-A PCB 12PHI P-7 ASSY      | 1  |
| 22185253   | SK-8 RUBBER SWITCH 12P           | 4  |
| 22185254   | SK-8 RUBBER SWITCH 13P           | 1  |
| 22185252   | SK-8 RUBBER SWITCH 8PL           | 1  |
| 22185251   | SK-8 RUBBER SWITCH 7PH           | 1  |
| 32205597   | SK-8 PCB SPACER 12P              | 4  |
| 32205598   | SK-8 PCB SPACER 13P              | 1  |
| 32205596   | SK-8 PCB SPACER 8PL              | 1  |
| 32205595   | SK-8 PCB SPACER 7PH              | 1  |
| —          | TAP TITE SCREWS B-TITE 3x10 BIND | 40 |

1) First, turn the chassis over, noting that the right- and left-hand sides are not reversed. Then, as shown in fig. 1, put one Spacer 8PL and four Spacers 12P in this order, starting on the left-hand side (lower tone side of the keyboard) according to the chassis positioning holes. (See fig. 2.) Similarly, put the Spacer 13P and Spacer 7PH on the right-hand side (higher tone side).

1) まず、シャーシを左右が逆にならないように裏返します。次に、fig.1 に示すように左側（鍵の低音側）より、先ず SPACER 8PL を 1 個、そして SPACER 12P を 4 個、シャーシの位置決め穴に合わせて順に置いていきます (fig.2 参照のこと) 右側（高音側）には SPACER 13P, SPACER 7PH を同様に置いていきます。

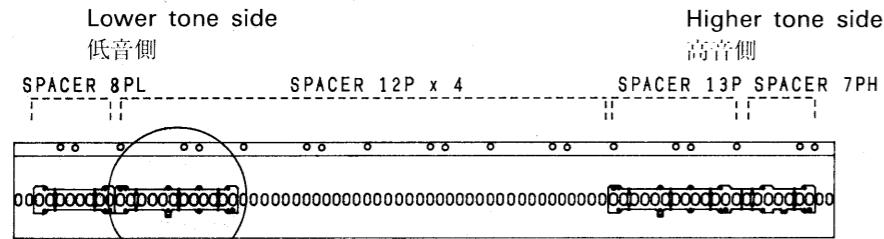


fig. 1

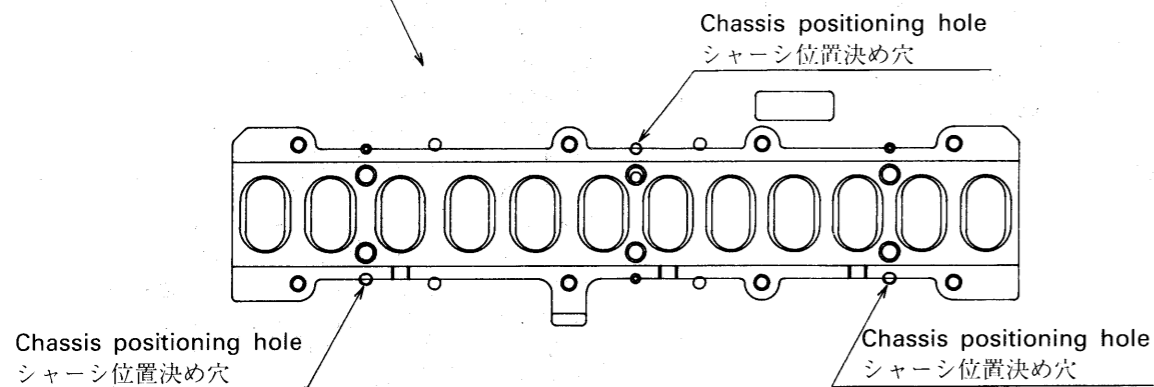


fig. 2

2) Then, locate the bosses of the Rubber Switches in the round holes of the Spacers, and as done for the Spacers, put one Rubber Switch 8PL, four Rubber Switches 12P, one Rubber Switch 13P and one Rubber Switch 7PH in order, starting on the lower tone side. At this time, carefully match the positions of the Rubber Switches, Spacer notches and air grooves. (See fig. 3 and fig. 4.)

2) 次に、SPACER の丸穴部に RUBBER SWITCH のボスを位置決めして、SPACER と同様に低音側より順に RUBBER SWITCH 8PL, RUBBER SWITCH 12P を 4 個、RUBBER SWITCH 13P, RUBBER SWITCH 7PH と置いていきます。この際、RUBBER SWITCH と SPACER の外形切り欠け部、及び空気溝の位置が合うように注意してください。(fig.3 fig.4 参照のこと)

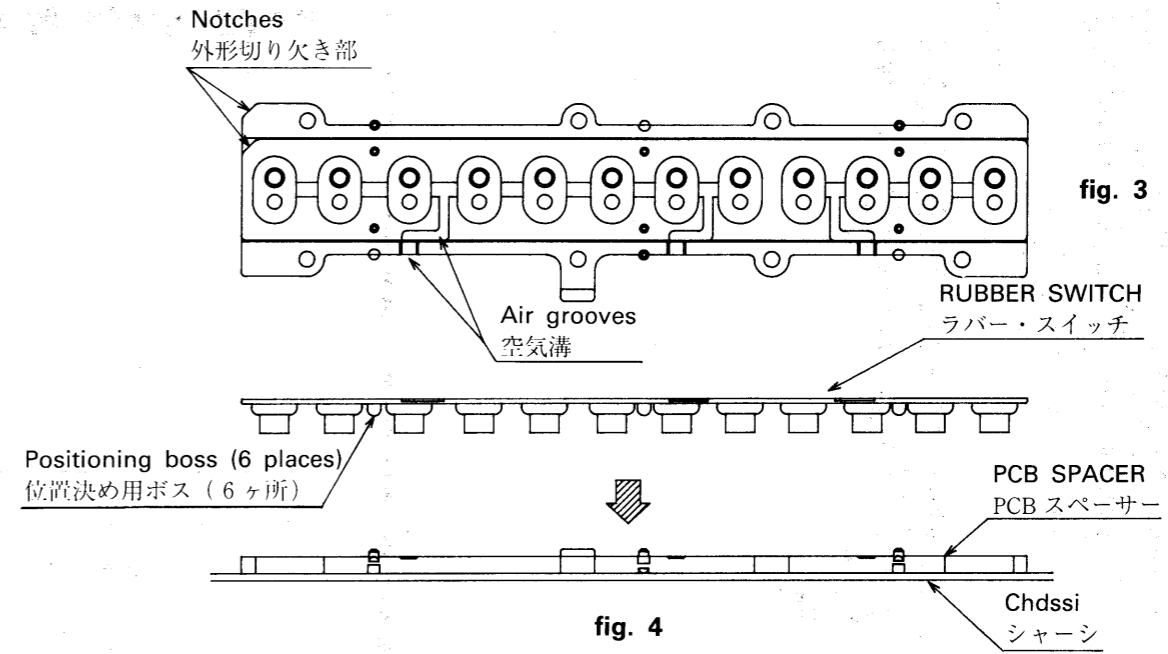


fig. 4

3) Then, put the PCBs so that the positioning pins of the Spacers fit into the positioning holes of the PCBs. At this time, use the PCB notch and Spacer lug as a guide. (See fig. 5.) As shown in fig. 6, there are three PCBs, LOW, MID and HI.

3) 次に、PCB の切り欠き部と SPACER の部を目印として、SPACER の位置決めピンに PCB の穴がはまるように PCB をおきます。(fig.5 参照のこと) PCB は、fig.6 で示されるように LOW, MID, HI の 3 枚で構成されています。

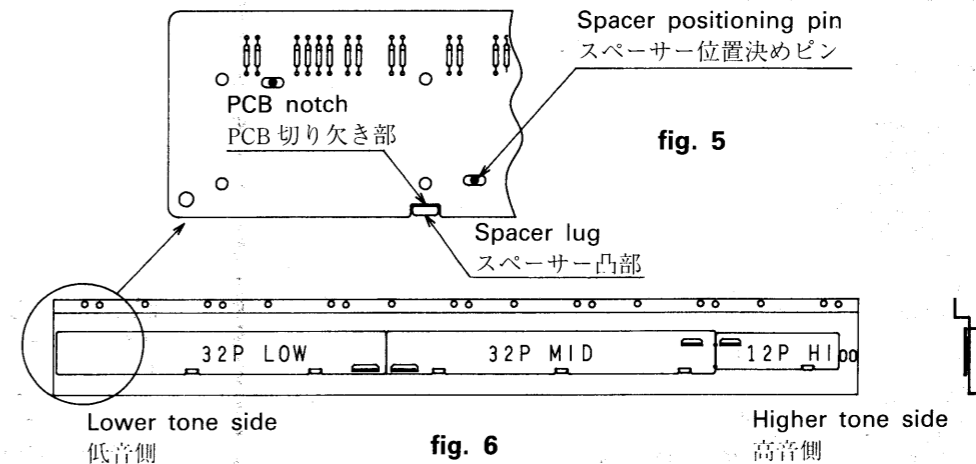


fig. 6

4) Then, tighten the LOW, MID and HI PCBs with the Tap Tite Screws. First tighten the near-center Screws 1, then the end Screws 2 on the other side. (This order must be followed. Otherwise the PCBs may not be flush with the Spacers.) Then tighten the remaining Screws 3 of the LOW, MID and HI PCBs. (For the above, see Fig. 7.) Finally, tighten the Screws in the area adjacent to the MID and HI PCBs. Since the PCBs may have been warped by soldering, etc., it is recommended to gently hold down the center and tighten the Screws.

4) 次に、TAP TITE SCREWS で PCB LOW, MID, HI をねじ止めしていきます。ねじ止め順序は、最初に中央部寄り 1 をねじ止めし、次に反対側部 2 を締結します。(ねじ止めによって、PCB が SPACER より浮きあがってしまうことがあるため。) 最後に PCB の MID, HI の隣接部をねじ止めます。基盤がハンダ付け等によってソリを生じていることがあるため中央部を軽くおさえながらねじ止めするとよいでしょう。

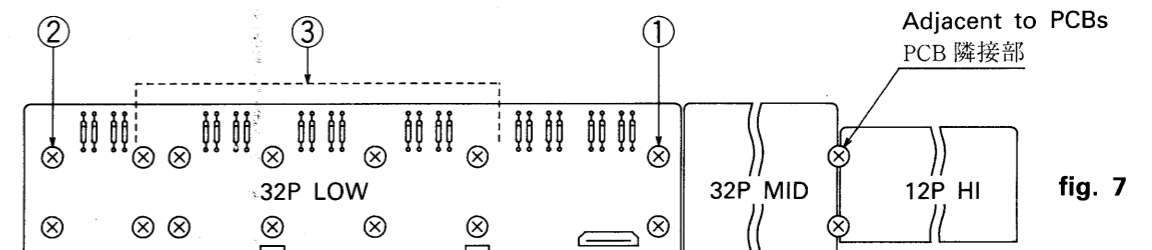


fig. 7



## 2. REMOVAL AND REINSTALLATION OF THE KEYS

Before removing the keys, first take the stopper off the rear side of the chassis, then take away the spring. When reinstalling the keys, carefully apply the stopper as shown in fig. 8.

Bring the stopper into close contact with the ends of the white key shafts and press the stopper in the area of the double-coated tape to secure it. (See fig. 8.)

## 2. 鍵の取り付け, 取りはずし方

鍵を取りはずす際は、まずシャーシ裏側からストッパーをはがし次にスプリングをはずして、鍵を抜きます。鍵を取り付ける際は、fig.8 に示されるようにストッパーのはりかたに注意してください。

ストッパーは白鍵軸部の密接させて取り付け、両面テープ上をおさえつけ確実に固定させてください。(fig.8 参照のこと)

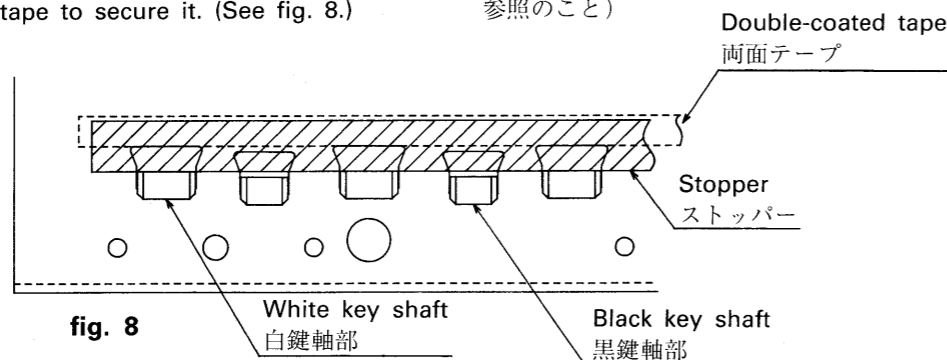


fig. 8

The above is a view from the rear side of the chassis.  
図はシャーシ裏面から見た図です。

## LOADING THE FACTORY PRESET/ファクトリー・プリセットのロード方法

① Press **WRITE** to call the Write Menu screen (Pressing **WRITE** calls the Write Menu screen from any screen).

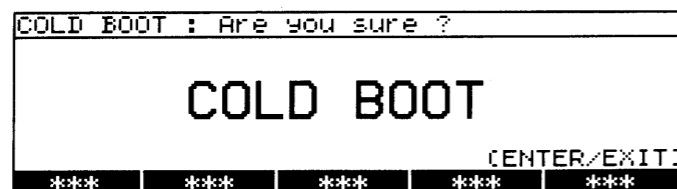
② Press **F3 INIT** to open the Initialize Menu screen.

③ Press **F4 BOOT** to open the Cold Boot screen.

① **WRITE** を押して、ライト・メニュー画面を表示させます (どの画面から **WRITE** を押してもこの画面になります)。

② **F3 INIT** を押してイニシャライズ・メニュー画面を表示させます。

③ **F4 BOOT** を押してコールド・ブート画面を表示させます。



④ To execute the Cold Boot, press **ENTER**. To cancel it, press **EXIT**.

Ⓜ Pressing **ENTER** causes the screen to show the same indication (Welcome Message) shown when the unit is switched on. The Cold Boot procedure will be completed when the unit has automatically returned to the Play screen.

④ コールド・ブートを実行するときは **ENTER** を、キャンセルするときは **EXIT** を押します。

Ⓜ **ENTER** を押すと、電源投入時と同様の表示 (ウエルカム・メッセージ) が現れ、しばらくしてプレイ画面に戻るとコールド・ブート操作が終了します。

## IDENTIFYING VERSION NUMBER/バージョンの確認方法

Note: The version displayed is of the CPU (IC22 on Main Board) and EPROM (IC18 on Main Board). For details, see the CHANGE INFORMATION (P. 25).

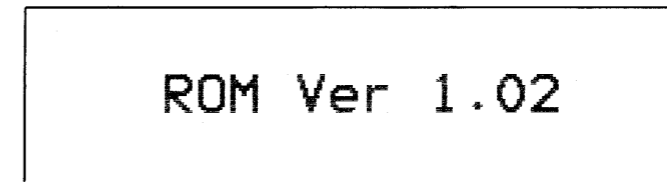
1. In the batch play mode, hold down the **INC** and **DEC** buttons and press the **NUMBER/1**, **NUMBER/2**, **NUMBER/3**, **NUMBER/4**, **NUMBER/5**, **BANK/7**, **NUMBER/6** and **NUMBER/3** buttons in this order.

注: 表示されるバージョンは、CPU (IC22 on Main Board) と EPROM (IC18 on Main Board) のものです。詳細は、“変更案内” (P. 25) を参照して下さい。

1. パッチプレイモードで **INC** ボタンと **DEC** ボタンを押しながら、**NUMBER/1**, **NUMBER/2**, **NUMBER/3**, **NUMBER/4**, **NUMBER/5**, **BANK/7**, **NUMBER/6**, **NUMBER/3** の順でボタンを押して下さい。

2. When in the test mode, the version number of the ROM is first displayed. The process then moves automatically to the next step. Note that the version number of the ROM Ver. 1.00 is not displayed.

2. テストモードに入ると最初に ROM のバージョン・ナンバーを表示します。自動的に、次のに進みます。但し、ROM のバージョン・ナンバーが表示されないものがありますが、それは、Ver. 1.00 です。



3. Switch the power OFF.

3. 電源を“OFF”にして下さい。

## TEST MODE/テストモード

### ◇Equipment Required

- FV-50 (volume pedal)
- EV-5 (expression pedal)
- MIDI cable
- Oscilloscope
- Memory card (M-256E, etc. of which data may be erased)
- Measuring jig (see fig. 1)
- Empty plug

### ◇用意するもの

- FV-50 (ボリューム・ペダル)
- EV-5 (エクスプレッション・ペダル)
- MIDI ケーブル
- オシロスコープ
- メモリー・カード (M-256E 等: 内部データを消去して良いもの)
- 測定治具 (図1 参照)
- 空プラグ



Fig. 1/図 1

This type is mono open plug.  
これは、モノ空プラグです。

### ◇Entering the Test Mode

Enter the test mode in either of the following two ways:

1. Start-up from the panel  
In the batch play mode, hold down the **INC** and **DEC** buttons and press the **NUMBER/1**, **NUMBER/2**, **NUMBER/3**, **NUMBER/4**, **NUMBER/5**, **BANK/7**, **NUMBER/6** and **NUMBER/3** buttons in this order.
2. Start-up from the Main Board  
Set the mode switch (SW2: see fig. 2 for its position) on the Main Board to the “TEST” position and switch the power ON.

### ◇テストモードへの入り方

テスト・モードへの入り方には、下記の2通りがあります。

1. パネル上からの立ち上げ  
パッチプレイモードで **INC** ボタンと **DEC** ボタンを押しながら、**NUMBER/1**, **NUMBER/2**, **NUMBER/3**, **NUMBER/4**, **NUMBER/5**, **BANK/7**, **NUMBER/6**, **NUMBER/3** の順でボタンを押して下さい。
2. MAIN BOARD 上からの立ち上げ  
MAIN BOARD 上のモードスイッチ (SW2: 位置は、図2 参照) を “TEST” 側に切り替えて電源を “ON” にします。

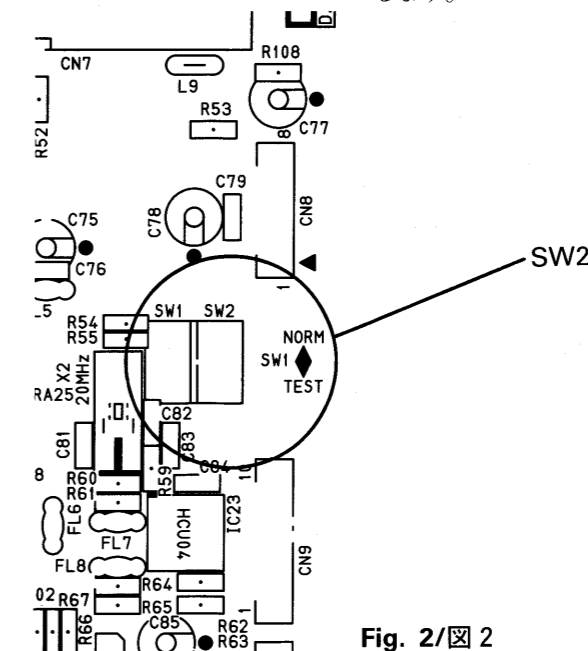


Fig. 2/図 2

## ◇Leaving the Test Mode

- When the test mode has been started up from the panel  
When all tests are complete, switch the power ON again.
- When the test mode has been started up from the Main Board  
Set the mode switch (SW2: see fig. 2 for its position) on the Main Board to the "NORM" position and switch the power ON again.

## ◇Check Items

The VK1000 includes the following eight check items and one adjustment:

- TEST 1: Identifying ROM version  
 TEST 2: Switch and LED check  
 TEST 3: Memory card check  
 TEST 4: Harmonic bar check  
 TEST 5: Controller and pedal check  
 TEST 6: MIDI check  
 TEST 7: Battery check  
 TEST 8: D/A adjustment mode  
 TEST 9: VCA check

For the checking procedures, see the corresponding check items.

## TEST 1: Identifying ROM version

Note: The version displayed is of the CPU (IC22 on Main Board) and EPROM (IC18 on Main Board). For details, see the CHANGE INFORMATION (P. 25).

When in the test mode, the version number of the ROM is first displayed. (See fig. 3.) The process then moves automatically to TEST 2. Note that the version number of the ROM Ver. 1.00 is not displayed.



ROM Ver 1.02

Fig. 3/図 3

## TEST 2: Switch and LED check

- Press the **NUMBER/1** button.
- After making sure that the **NUMBER/1** button LED is lit, press the **NUMBER/1** button again. This lights up all LEDs. At this time, check that all LEDs are lit and identical in brightness.
- In the state of step 2, press the **NUMBER/1** button. This causes its LED to be extinguished and the name of the button displayed on the LCD to be highlighted. (See fig. 4.)
- Press all buttons in order and make sure that the characters of the corresponding button name displayed on the LCD are normal. If so, the check is complete.
- With the **NUMBER/1** button LED off, press the **NUMBER/1** button to leave the test mode. In this state, any of the check items can be selected using the corresponding number button.

## ◇テストモードからの抜け方

- パネル上からテストモードを立ち上げた場合  
全てのテストを終了した時、再度、電源を“ON”にして下さい。
- MAIN BOARD からテストモードを立ち上げた場合  
MAIN BOARD 上のモードスイッチ (SW2: 位置は、図 2 参照) を、“NORM” 側に切り替えて、再度、電源を“ON” にして下さい。

## ◇チェック項目

VK1000 には、下記の 8 つのチェック項目と 1 つの調整が内臓されています。

- TEST 1: ROM のバージョン確認  
 TEST 2: スイッチ及び LED チェック  
 TEST 3: メモリーカード・チェック  
 TEST 4: ハーモニックバー・チェック  
 TEST 5: コントローラー及びペダルチェック  
 TEST 6: MIDI チェック  
 TEST 7: バッテリー・チェック  
 TEST 8: D/A 調整モード  
 TEST 9: VCA チェック

各チェックの実行方法は、各チェック項目を参照して下さい。

## TEST 1: ROM のバージョン確認

注: 表示されるバージョンは、CPU (IC22 on Main Board) と EPROM (IC18 on Main Board) のものです。詳細は、“変更案内” (P. 25) を参照して下さい。

テストモードに入ると最初に ROM のバージョン・ナンバーを表示します。(図 3 参照)  
自動的に、TEST 2 に進みます。但し、ROM のバージョン・ナンバーが表示されないものがありますが、それは、Ver. 1.00 です。

## TEST 2: スイッチ及び LED チェック

- NUMBER/1** ボタンを押します。
- NUMBER/1** ボタンの LED が点灯している状態で、もう一度 **NUMBER/1** ボタンを押すと LED が全て点灯します。この時、LED の輝度のばらつき等をチェックして下さい。
- 手順 2. の状態で **NUMBER/1** ボタンを押すと LED が消灯し、LCD に表示されたボタンの名前が反転表示されます。(図 4 参照)
- 全てのボタンを押して、LED の消灯、LCD に表示されたボタンの名前の文字が通常の表示になればチェック終了です。
- NUMBER/1** ボタンの LED が消灯している状態で、**NUMBER/1** ボタンを押すと、このモードから抜け、ナンバー・ボタンでチェック項目を選べる状態になります。



Fig. 4/図 4

## TEST 3: Memory card check

Note: When the memory card check is made, the data on the card is converted into check data. Hence, it is suggested to use a card of which data may be lost.

- Press the **NUMBER/2** button.
- Any of the following messages is displayed on the LCD according to the state of memory card:

| State                | LCD  |
|----------------------|--|
| Card protect is ON.  | → [ PROTECTED ! ] [ ** ]                   |
| Card does not exist. | → [ NO CARD ] (See fig. 5.)                |
| Card protect is OFF. | → [ STANDBY CARD ] [ OK ]<br>(See fig. 6.) |



MEMORY CARD CHECK!  
[ No Card! ]  
[ \*\* ]

Fig. 5/図 5

## TEST 4: Harmonic bar check

- Press the **NUMBER/3** button.
- Move each harmonic bar and make sure that the level of the corresponding harmonic bar changes between 0 and 127. (See fig. 7.)

At this time, the tone of C4 is generated when the harmonic bar is moved. Press the C4 key to stop the tone.

| H-BAR TEST |       |        |                    |
|------------|-------|--------|--------------------|
| Feet       |       |        | Percussion         |
| 16'        | [127] | 2'     | [127] [127]        |
| 5 1/3'     | [127] | 1 3/5' | [127] 2 2/3' [127] |
| 8'         | [127] | 1 1/3' | [127] 2' [127]     |
| 4'         | [127] | 1'     | [127] 1' [127]     |
| 2 2/3'     | [127] |        |                    |

Fig. 7/図 7

## TEST 5: Controller and pedal check

- Press the **NUMBER/4** button.
- Make sure that the master volume, control slider, pedal and modulation values change between 0 and 127 and the bender value changes between -127 and +127. (See fig. 8.)

| CONTROLLER TEST |       |                  |       |
|-----------------|-------|------------------|-------|
| Master VR       | [127] | Expression Pedal | [127] |
| Slider C1       | [127] | Pedal P1         | [ 0 ] |
| Slider C2       | [127] | Pedal P2         | [ 0 ] |
| Slider C3       | [127] | Pedal P3         | [ 0 ] |
| Bender          | [ 0 ] | Modulation       | [ 0 ] |

Fig. 8/図 8

## TEST 3: メモリーカード・チェック

注: メモリーカード・チェックを行うとカードのデータがチェック用に書き変わりますので、元のデータが失われても良いカードを使用して下さい。

- NUMBER/2** ボタンを押します。
- メモリーカードの状態により、LCD に下記のいずれかの表示が、表示されます。

| 状態              | LCD                                   |
|-----------------|---------------------------------------|
| カードプロテクト ON の時  | → [ PROTECTED ! ] [ ** ]              |
| カードが無いとき        | → [ NO CARD ] (図 5 参照)                |
| カードプロテクト OFF の時 | → [ STANDBY CARD ] [ OK ]<br>(図 6 参照) |



MEMORY CARD CHECK!  
[ Standby Card ]  
[ OK ]

Fig. 6/図 6

## TEST 4: ハーモニックバー・チェック

- NUMBER/3** ボタンを押します。
- 各ハーモニック・バーを動かして、それに対応するハーモニック・バーのレベルが、0 - 127 で変化することを確認して下さい。(図 7 参照)

この時、C4 の音がハーモニック・バーを動かした時点で発音します。(C4 の鍵盤を押さえると、音は止まります。

TEST 6: MIDI check

1. Connect the MIDI IN and MIDI OUT terminals by the MIDI cable.
2. Press the **[NUMBER/5]** button.
3. Any of the following messages is displayed on the LCD according to the state:

| State                                    | LCD                    |
|--|------------------------|
| MIDI IN and OUT terminals not connected. | → [OPEN] (See fig. 9.) |
| MIDI IN and OUT terminals connected.     | → [ OK ]               |

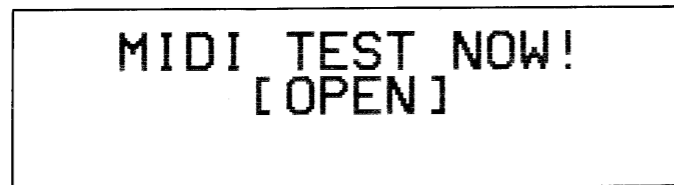


Fig. 9/図9

TEST 6: MIDI チェック

1. MIDI ケーブルで、MIDI IN と MIDI OUT を接続して下さい。
2. **[NUMBER/5]** ボタンを押します。
3. 状態により、LCD に下記のいずれかの表示が、表示されます。

| 状態                       | LCD             |
|--------------------------|-----------------|
| MIDI 端子の IN と OUT を接続しない | → [OPEN] (図9参照) |
| MIDI 端子の IN と OUT を接続する  | → [ OK ]        |

TEST 7: Battery check

1. Press the **[NUMBER/6]** button.
  2. The LCD displays the voltage of the user memory backup battery. (See fig. 10.)
- Note: A normal voltage value is 2.7V or higher. Change the battery if the voltage is less than 2.7V.

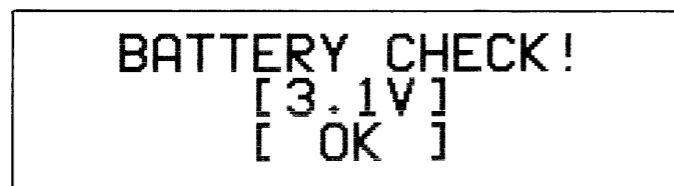


Fig. 10/図10

TEST 7: バッテリー・チェック

1. **[NUMBER/6]** ボタンを押します。
  2. LCD 上に、ユーザー・メモリー・バックアップ用バッテリーの電圧を表示します。(図10参照)
- 注: 2.7V 以上なら正常です。2.7V より下の場合、バッテリーを交換して下さい。

TEST 8: D/A adjustment mode

1. Press the **[NUMBER/7]** button. The LCD displays as shown in fig. 11.
  2. Adjust the D/A converter.
- For full information, see the "D/A ADJUSTMENT SPECIFICATIONS" (P. 13).

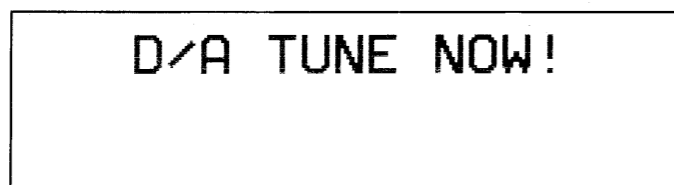


Fig. 11/図11

TEST 8: D/A 調整モード

1. **[NUMBER/7]** ボタンを押します。
- LCD ディスプレイに、図11のように表示されます。
2. D/A コンバーターの調整をおこなって下さい。
- 詳細は、"D/A 調整仕様" (P. 13) を参照して下さい。

TEST 9: VCA check

1. Press the **[NUMBER/8]** button. The LCD displays as shown in fig. 12.
  2. Output the VCA checking sine wave.
- At this time, move the master volume and make auditory check to see that the right- and left-hand side volumes are output at the same level.
- If they are different, check the Jack Board.

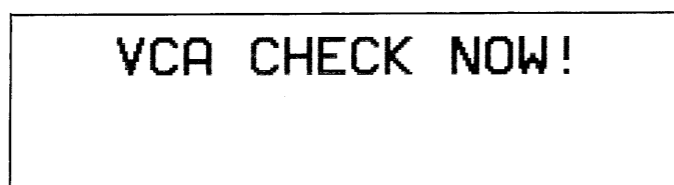


Fig. 12/図12

TEST 9: VCA チェック

1. **[NUMBER/8]** ボタンを押します。
- LCD ディスプレイに、図12のように表示されます。
2. VCA チェック用のサイン波を出力します。
- この時、マスター・ボリュームを動かして、左右の音量が同一のレベルで出力されていることを聴感上で確認して下さい。
- 音量レベルがずれている場合は、Jack Board 上をチェックして下さい。

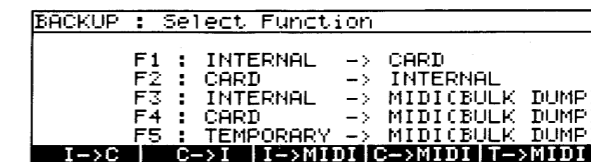
DATA SAVE/LOAD/データのセーブ/ロード

Press **[F4] BACKUP** in the Write Menu screen to open the Backup Menu screen.

**[WRITE]** → **[F4] BACKUP**

ライト・メニュー画面から **[F4] BACKUP** を押すと、バックアップ・メニュー画面が開きます。

**[WRITE]** → **[F4] BACKUP**

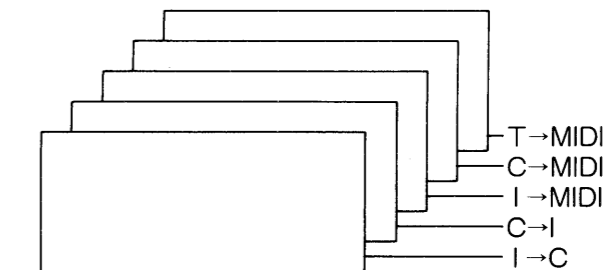


The Backup Menu screen allows you to select one of the five functions:

- [F1] I → C** The Internal → Card screen.
- [F2] C → I** The Card → Internal screen.
- [F3] I → MIDI** The Internal → MIDI screen.
- [F4] C → MIDI** The Card → MIDI screen.
- [F5] T → MIDI** The Temporary → MIDI screen.

バックアップ・メニュー画面で、目的別に操作を選択します。次の5つの操作が選択できます。

- インターナル → カード画面を開きます。
- カード → インターナル画面を開きます。
- インターナル → MIDI 画面を開きます。
- カード → MIDI 画面を開きます。
- テンポラリー → MIDI 画面を開きます。



INTERNAL → CARD

This function allows you to save all data in the internal memory onto a Memory Card.

INTERNAL → CARD (インターナル → カード)

内部メモリー (インターナル) の全データをカードに保存します。

CARD → INTERNAL

This function Allows you to load all data on a card back into the internal memory.

CARD → INTERNAL (カード → インターナル)

カードの全データを内部メモリー (インターナル) に読み込みます。

INTERNAL → MIDI (BULK DUMP)

This function allows you to transfer all data in the internal memory into an external backup device (such as a sequencer). (Bulk Dump)

INTERNAL → MIDI (BULK DUMP) (インターナル → MIDI (バルク・ダンプ))  
内部メモリー (インターナル) の全データを、シーケンサーなどの外部バックアップ機器に転送します (バルク・ダンプ)。

CARD → MIDI (BULK DUMP)

This function allows you to transfer all data on the Memory Card connected to the card slot to an external backup device such as a sequencer. (Bulk Dump)

CARD → MIDI (BULK DUMP) (カード → MIDI (バルク・ダンプ))  
メモリー・カード・スロットに差し込めるカードの全データを、シーケンサーなどの外部バックアップ機器に転送します (バルク・ダンプ)。

TEMPORARY → MIDI (BULK DUMP)

This function allows you to transfer the Patch data in the Temporary area to an external backup device (such as a sequencer). (Bulk Dump)

TEMPORARY → MIDI (BULK DUMP) (テンポラリー → MIDI (バルク・ダンプ))  
本体のテンポラリーに呼び出されたパッチ・データを、シーケンサーなどの外部バックアップ機器に転送します (バルク・ダンプ)。

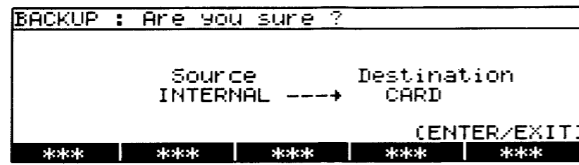
◆How to save all the data in the internal memory onto a Memory Card

- ① Connect a Memory Card to the card slot (MEMORY CARD).
- ② Set the protect switch on the Memory Card to the OFF position.
- ③ Press **[WRITE]** to call the Write Menu screen (Pressing **[WRITE]** calls the Write Menu screen from any screen).
- ④ Press **[F4] BACKUP** to open the Backup Menu screen.

◆カードに内部メモリーの全データを保存する方法

- ① カード・スロット (MEMORY CARD) にメモリー・カードを差し込みます。
- ② メモリー・カードのプロテクト・スイッチをオフにします。
- ③ **[WRITE]** を押して、ライト・メニュー画面を表示させます (どの画面から **[WRITE]** を押してもこの画面になります)。
- ④ **[F4] BACKUP** を押してバックアップ・メニュー画面を表示させます。

- ⑤ Press **F1** **I→C** to open the Internal → Card screen.



- ⑤ **F1** **I→C** を押してインターナル → カード画面を表示させます。

- ⑥ To transfer the data, press **ENTER**. To cancel transfer, press **EXIT**.

- ⑥ 転送を実行するときは **ENTER** を、キャンセルするときは **EXIT** を押します。

- ♪ In a few seconds after you press **ENTER**, the message "COMPLETE!" will appear in the screen showing that the card backup procedure is completed.

- ♪ **ENTER** を押してしばらくすると、COMPLETE! (転送操作が終了しました)の表示が現れます。これでカードのバックアップ操作が終了しました。

- ⑦ Return the protect switch on the Memory Card to the ON position, then remove the card from the card slot.

- ⑦ メモリー・カードのプロテクト・スイッチをオンに戻し、カードをカード・スロットから抜きます。

◇How to load all the data on a card into the internal memory

◇カードの全データを本体に読み込む方法

- ① Connect a Memory Card to the card slot (MEMORY CARD).

- ① カード・スロット (MEMORY CARD) にメモリー・カードを差し込みます。

- ② Press **WRITE** to call the Write Menu screen. (Pressing **WRITE** calls the Write Menu screen from any screen.)

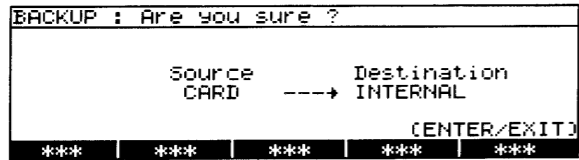
- ② **WRITE** を押して、ライト・メニュー画面を表示させます (どの画面から **WRITE** を押してもこの画面になります)。

- ③ Press **F4** **BACKUP** to open the Backup Menu screen.

- ③ **F4** **BACKUP** を押してバックアップ・メニュー画面を表示させます。

- ④ Press **F2** **C→I** to open the Card → Internal screen.

- ④ **F2** **C→I** を押してカード → インターナル画面を表示させます。



- ⑤ To transfer the data, press **ENTER**. To cancel transfer, press **EXIT**.

- ⑤ 転送を実行するときは **ENTER** を、キャンセルするときは **EXIT** を押します。

- ♪ In a few seconds after you press **ENTER**, the message "COMPLETE!" will appear in the screen showing that all the card data is loaded into the internal memory.

- ♪ **ENTER** を押してしばらくすると、COMPLETE! (転送操作が終了しました)の表示が現れます。これでカードのデータが内部メモリーに読み込まれました。

- ⑥ Remove the card from the card slot.

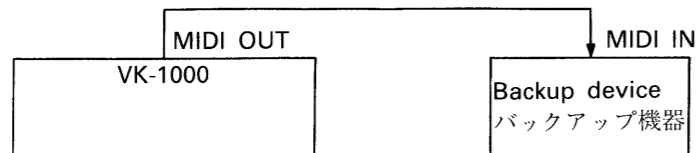
- ⑥ カードをカード・スロットから抜きます。

◇How to transfer all the data in the internal memory into an external backup device

◇内部メモリーの全データを外部バックアップ機器に転送する方法

- ① Connect the MIDI OUT on the VK-1000 to the MIDI IN on the backup device using a MIDI cable. (This is called a One-way connection.)

- ① VK-1000 の MIDI アウトとバックアップ機器の MIDI インを 1 本の MIDI ケーブルで接続します (この方式をワン・ウェイと呼びます)。



- ② Press **WRITE** to call the Write Menu screen (Pressing **WRITE** calls the Write Menu screen from any screen).

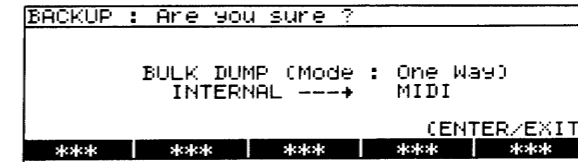
- ② **WRITE** を押して、ライト・メニュー画面を表示させます (どの画面から **WRITE** を押してもこの画面になります)。

- ③ Press **F4** **BACKUP** to open the Backup Menu screen.

- ③ **F4** **BACKUP** を押してバックアップ・メニュー画面を表示させます。

- ④ Press **F3** **I→MIDI** to open the Internal → MIDI screen.

- ④ **F3** **I→MIDI** を押してインターナル → MIDI 画面を表示させます。



Note: When the transmission data range has been determined, make the MC-500MK2 ready to receive data.

注: 送信するデータの範囲が決定したら MC-500MK2 を受信待機状態にして下さい。

- ⑤ <MC-500MK2> Turn the MC-500MK2 power on, and the following display will appear.

- ⑤ <MC-500MK2> MC-500MK2 の電源を入れます。MC-500MK2 のディスプレイに下記のように表示されます。

Insert System Disk  
and Press ENTER

- ⑥ <MC-500MK2> Insert the SUPER MRC system disk, and press the **ENTER** key to start up the SUPER MRC system.

- ⑥ <MC-500MK2> SUPER MRC のシステムディスクを入れ、**ENTER** キーを押して、SUPER MRC のシステムを立ち上げます。

- ⑦ <MC-500MK2> Make sure that the following display appears.

- ⑦ <MC-500MK2> 下記のように表示されるのを確認します。

SONG 1  
M=1 J=120 REAL

SONG 1: Song number      ソング・ナンバー  
M=1 : Measure              小節  
J=120 : Tempo                テンポ  
REAL : Recording mode      レコード・モード

- ⑧ <MC-500MK2> Use the cursor keys **←** **→** to remove the cursor to the Song number.

- ⑧ <MC-500MK2> カーソル・キー **←**, **→** で、カーソルをソング・ナンバーの位置に移動させます。

- ⑨ <MC-500MK2> Specify the Song number in which to save the data. ([numeric keypad] → [SHIFT] key + [ENTER] key)

- ⑨ <MC-500MK2> データをセーブさせるソング・ナンバーを指定します。([テン・キー] → [SHIFT] キー + [ENTER] キー)

- ⑩ <MC-500MK2> Press the [REC/LOAD] key. The following display will appear, and the MC-500MK2 is ready to receive bulk data.

- ⑩ <MC-500MK2> [REC/LOAD] キーを押します。下記の表示になり、バルク・データ受信待機状態になります。

Press PLAY >> RECORD  
M=1 J=120 REAL

- ⑪ <MC-500MK2>  
Press the [PLAY/SAVE] key.  
The MC-500MK2 will enter Recording mode, after a little while, so transmit bulk data from the VK-1000.
- ⑫ Start receiving on the external backup device (start recording on the sequencer).
- ⑬ When you use a sequencer featuring a MIDI filter, set it to the mode that can receive Exclusive messages (On the Roland MC-50, set the MIDI 2 RCV STATUS to ON).
- ⑭ To transfer the data, press [ENTER]. To cancel transfer, press [EXIT].
- ⑮ In a few seconds after you press [ENTER], the message "COMPLETE!" will appear in the screen indicating that the back up procedure is complete.
- ⑯ Stop the external backup device (Stop the recording on the sequencer).
- ⑰ <MC-500MK2>  
When the VK-1000 has finished transmitting bulk data, press the [STOP] key to exit Recording mode.
- ⑱ <MC-500MK2>  
For the sake of safety, we suggest that you save the received bulk data to disk. To save to disk or load from disk, refer to the "SUPER MRC" Owner's Manual.

This completes data reception.

◇Transferring data (MC-500MK2 ==> VK-1000)

- ① <MC-500MK2>  
Use the [α-dial] or ([numeric key "1"] + [ENTER] KEY) to select the first measure.
- ② The VK-1000 may be in the normal mode (play mode).  
NOTE: VK-1000 does not display any message when receiving bulk data. After receiving bulk data, temporary data will not be edited. If you want to display the patch edited, select other patches first, then select the edited patch.
- ③ <MC-500MK2>  
Press the [PLAY/SAVE] key.
- ④ <MC-500MK2>  
Press the [STOP] key to stop the sequencer. (When bulk data transmission ends, the sequencer will automatically stop, and the measure will blink.)

This completes bulk data reception.

**ADJUSTMENT SPECIFICATIONS "D/A ADJUSTMENT"/調整仕様 "D/A調整"**

Adjust both the L and R channels.  
This adjustment may be made in either of the following two ways.

- A) Adjustment looking at the waveform on the oscilloscope
- B) Adjustment using auditory perception

- ⑪ <MC-500MK2>  
[PLAY/SAVE]キーを押します。  
MC-500MK2がレコーディング状態になるので、少し時間をあけてVK-1000からバルク・データを送信します。
- ⑫ 外部バックアップ機器の受信をスタートさせます (シーケンサーのレコーディングをスタートさせます)。
- ⑬ MIDI フィルターがついているシーケンサーをご使用になる場合は、あらかじめエクスクルーシブ情報を受信できるように設定しておいてください (ローランド MC-50の場合は MIDI 2 RCV STATUS をオンに設定します)。
- ⑭ 転送を実行するときは [ENTER] を、キャンセルするときは [EXIT] を押します。
- ⑮ [ENTER] を押してしばらくすると、COMPLETE! (転送操作が終了しました) の表示が現れます。これで外部機器へのバックアップ操作が終了しました。
- ⑯ 外部バックアップ機器の受信をストップさせます (シーケンサーのレコーディングをストップさせます)。
- ⑰ <MC-500MK2>  
VK-1000 がバルク・データを送信し終わったら、[STOP] キーを押して、レコーディング状態から抜けます。
- ⑱ <MC-500MK2>  
受信したバルク・データは、万が一のため、ディスクにセーブしておくことをお勧めします。ディスクへのセーブまたは、ロードの方法は、"SUPER MRC" の取扱説明書を参照して下さい。

以上で、データの送信終了。

◇データの転送 (MC-500MK2 ==> VK-1000)

- ① <MC-500MK2>  
[α-Dial] または ([テンキー"1"] + [ENTER] キー) で小節を最初にもってきます。
- ② 通常モード (プレイ・モード) の状態で結構です。  
注: VK-1000 は、バルク・データの受信中には何もメッセージを表示しません。バルク・データ受信後も、テンポラリー・データは書き換わりません。パッチを書き換えた状態で表示したい場合、書き換えたパッチ以外のパッチを選択して、次に、書き換えたパッチを選択して下さい。
- ③ <MC-500MK2>  
[PLAY/SAVE] キーを押す。
- ④ <MC-500MK2>  
[STOP] キーを押して、シーケンサーを止めます。(バルク・データの送信を終了したら自動的に止まり、小節が点滅します。)

以上で、バルク・データの受信終了。

調整は、L、R 両チャンネルにおこなって下さい。  
調整方法は、下記の2通りがあります。

- A) オシロスコープにより波形を見て調整
- B) 聴感により調整

各々の実行方法は、各項目を参照して下さい。

- A) Adjustment looking at the waveform on the oscilloscope
  - a) Connect the oscilloscope into the [LINE OUT] jack of the channel to be adjusted.  
Insert the blank plug into the jack of the channel not adjusted.  
At this time, set the MASTER variable resistor to the maximum position.  
\* Oscilloscope setting  
5mV/div, 1msec/div, probe setting of 1:1.
  - b) In the test mode, select the "TEST 8, D/A adjustment mode".  
For the setting procedure, see the "TEST MODE" (P. 9~11)
  - c) Looking at the oscilloscope, turn the corresponding semi-variable resistor (VR1 = L channel, 2 = R channel. Positions are shown in Fig. 2) on the main board until the waveform as shown in Fig. 1 appears.

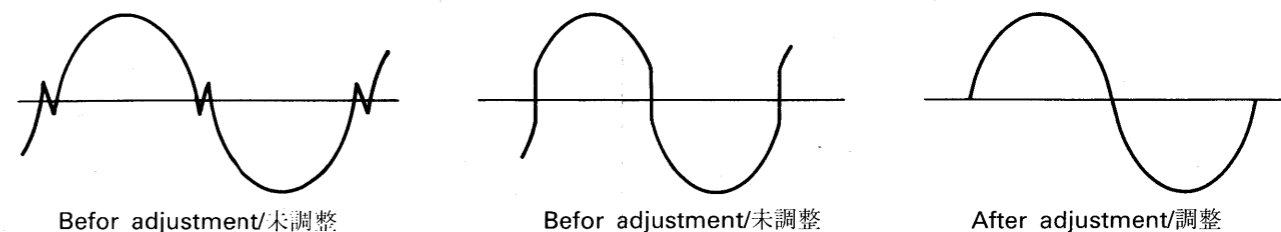


Fig. 1/図1

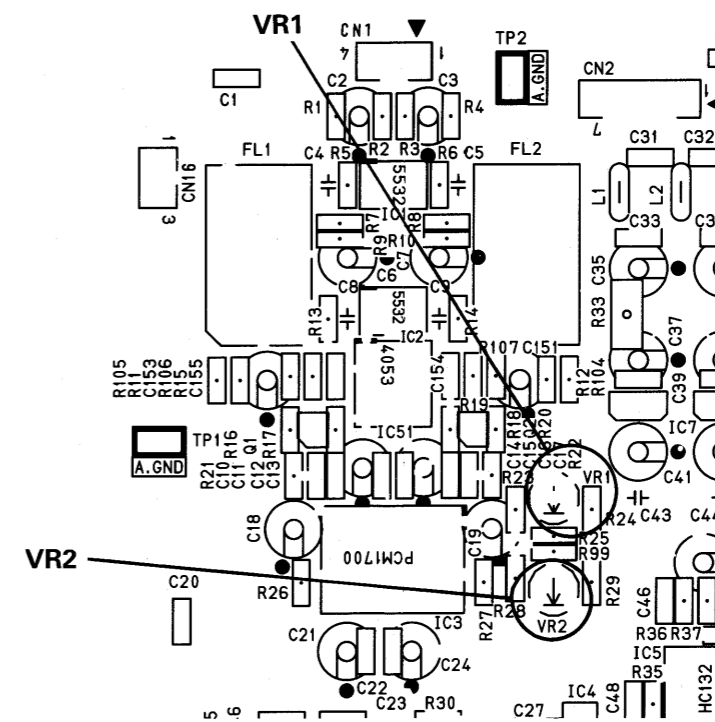


Fig. 2/図2

- B) Adjustment by auditory sense
  - a) In the test mode, select the "TEST 8, D/A adjustment mode".  
For the setting procedure, see the "TEST MODE" (P. 9~11).
  - b) At this time, the D/A adjustment sine wave is output.
  - c) Listen to the sine wave output from the "LINE OUT/L" jack and adjust VR2 on the Main Board (see fig. 2) until noise is minimized.
  - d) Similarly, adjust VR1 on the Main Board (see fig. 2) using auditory sense.

- B) 聴感により調整
  - a) テスト・モードの "TEST 8, D/A 調整モード" に設定して下さい。  
設定の方法は、"テスト・モード" (P. 9~11) を参照して下さい。
  - b) このとき、D/A 調整用サイン波が出力されます。
  - c) [LINE OUT/L] ジャックから出力されるサイン波を聞きながら、ノイズ (歪) が最も低くなるように MAIN BOARD の VR2 (図2参照) を調整する。
  - d) [LINE OUT/R] も同様に、聴感上で MAIN BOARD の VR1 (図2参照) を調整する。

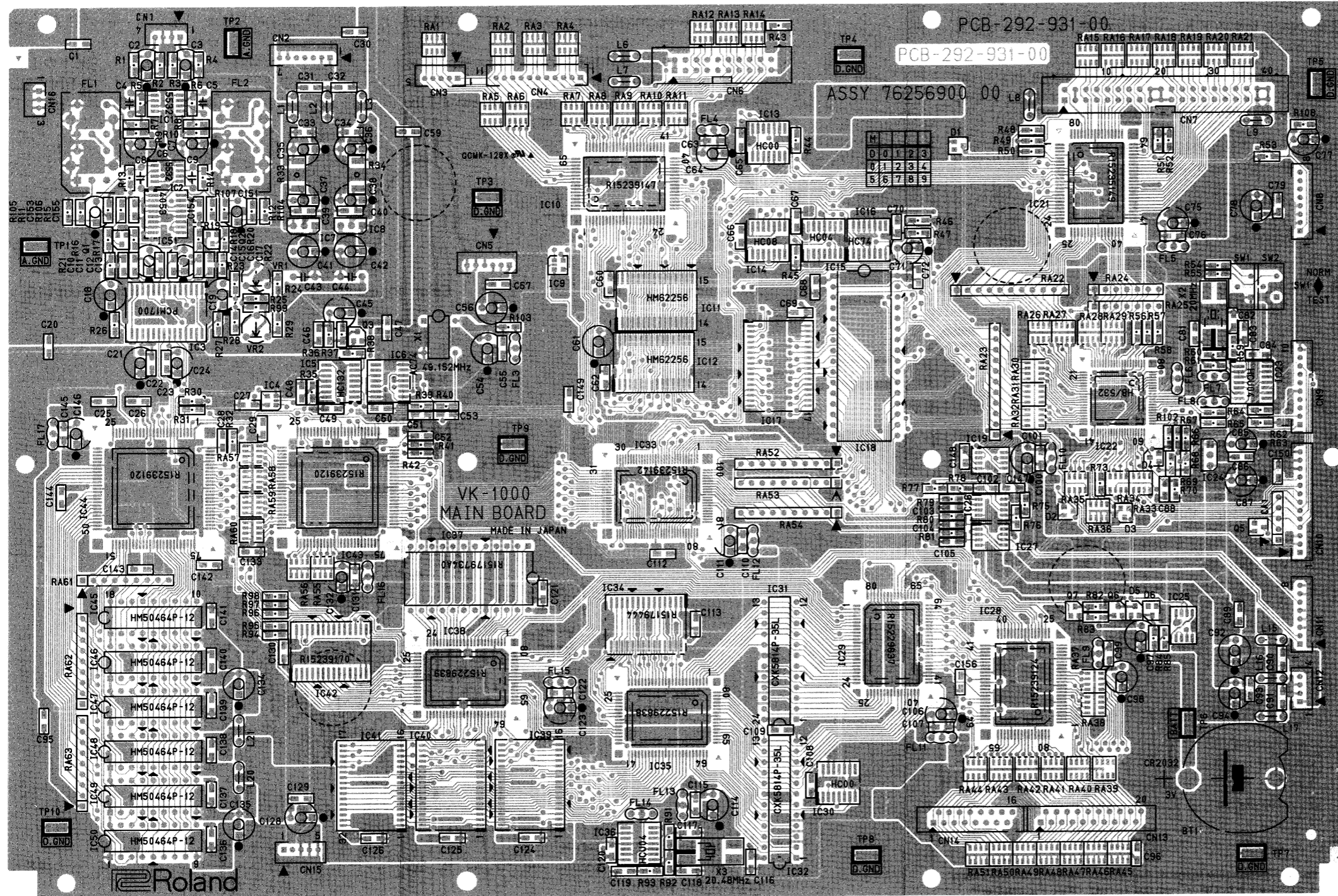
1 2 3 4 5 6 7 8 9 10 11 12 13 14 15 16 17 18 19 20 21 22 23 24 25 26 27 28 29 30

A  
B  
C  
D  
E  
F  
G  
H  
I  
J  
K  
L  
M  
N  
O  
P  
Q  
R  
S  
T  
U

**E MAIN BOARD ASS'Y**

ASSY 762569000

(pcb 22925931)



View from component side

For Nordic Countries

**Apparatus containing Lithium batteries**

**ADVARSEL!**

Lithiumbatteri – Eksplosionsfare ved fejlagtig håndtering. Udskiiftning må kun ske med batteri af samme fabrikat og type. Levér det brugte batteri tilbage til leverandøren.

**ADVARSEL!**

Lithiumbatteri – Eksplosionsfare. Ved udskiiftning benyttes kun batteri som anbefalt af apparatfabrikanten. Brukt batteri returneres apparatleverandøren.

**VARNING!**

Explosionsfare ved fejlagtigt batteriudskiftning. Anvend samme batterityp eller en ekvivalent typ som anbefales af apparatfabrikanten. Kassera använt batteri enligt fabrikantens instruktion.

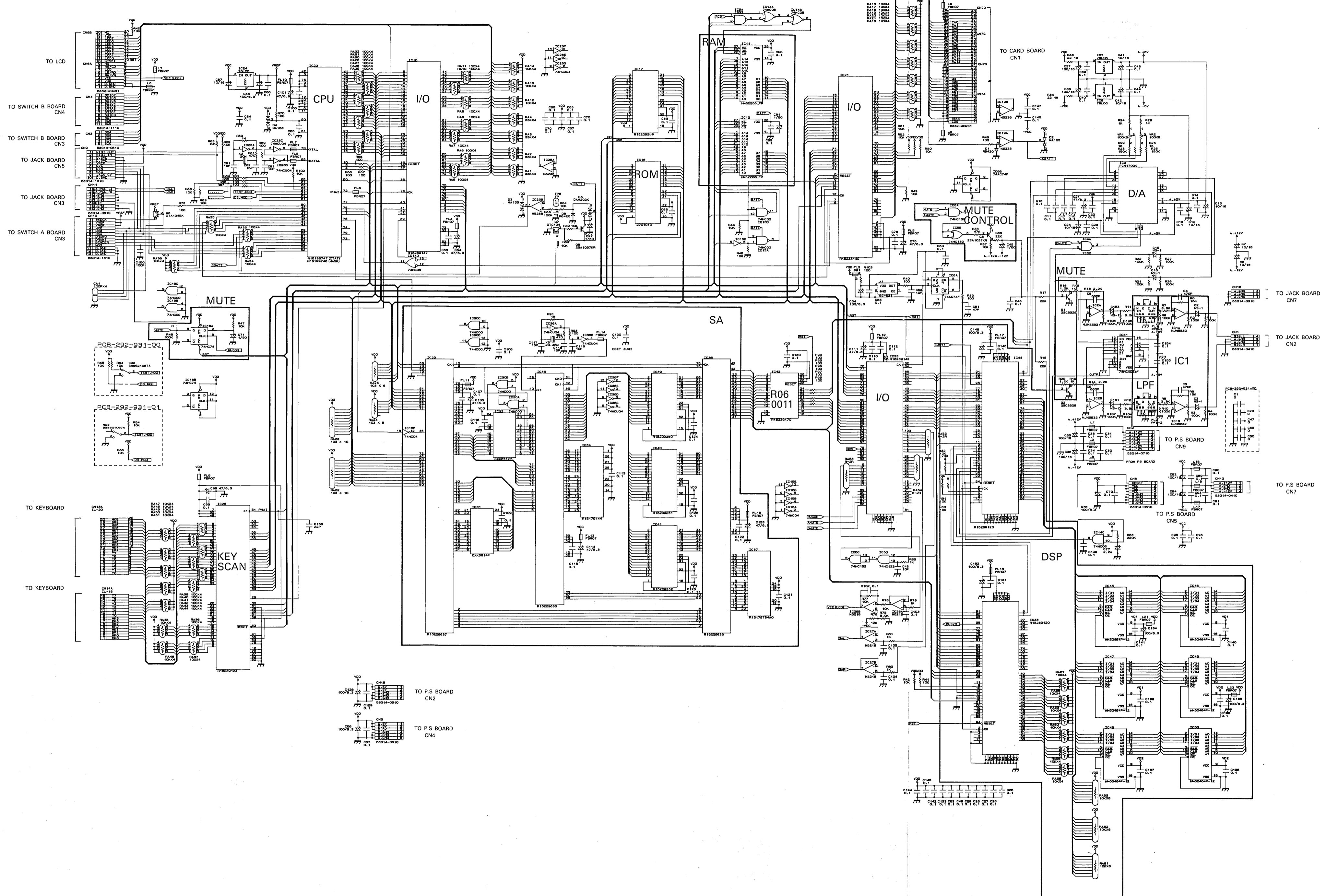
**VAROITUS!**

Paristo voi räjähtää, jos se on virheellisesti asennettu. Vaihda paristo ainoastaan laitevalmistajan suosittelemaan tyyppiin. Hävitä käytetty paristo valmistajan ohjeiden mukaisesti.

1 2 3 4 5 6 7 8 9 10 11 12 13 14 15 16 17 18 19 20 21 22 23 24 25 26 27 28 29 30 31 32 33 34 35 36 37 38 39 40 41 42 43

A  
B  
C  
D  
E  
F  
G  
H  
I  
J  
K  
L  
M  
N  
O  
P  
Q  
R  
S  
T  
U  
V  
W  
X  
Y  
Z

### MAIN BOARD ASS'Y



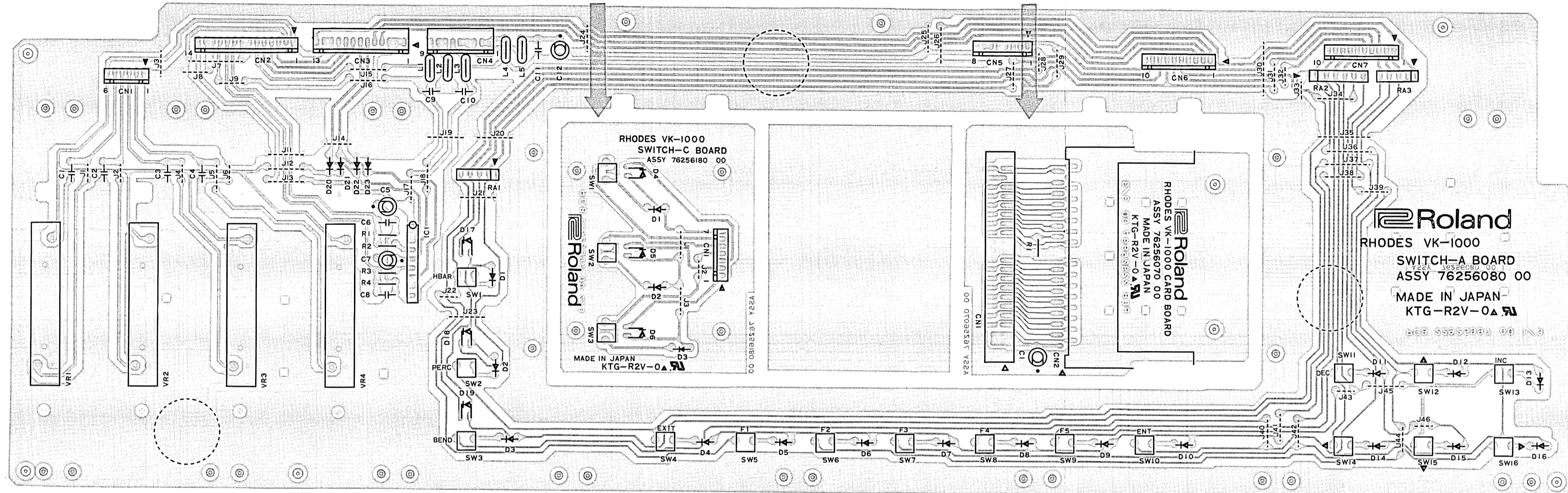
1 2 3 4 5 6 7 8 9 10 11 12 13 14 15 16 17 18 19 20 21 22 23 24 25 26 27 28 29 30 31 32 33 34 35 36 37 38 39 40 41 42 43

A  
B  
C  
D  
E  
F  
G  
H  
I  
J  
K  
L  
M  
N  
O  
P  
Q  
R  
S  
T  
U  
V  
W  
X  
Y  
Z

**SWITCH-A BOARD ASS'Y**  
ASSY 7625608000  
(pcb 22925997)

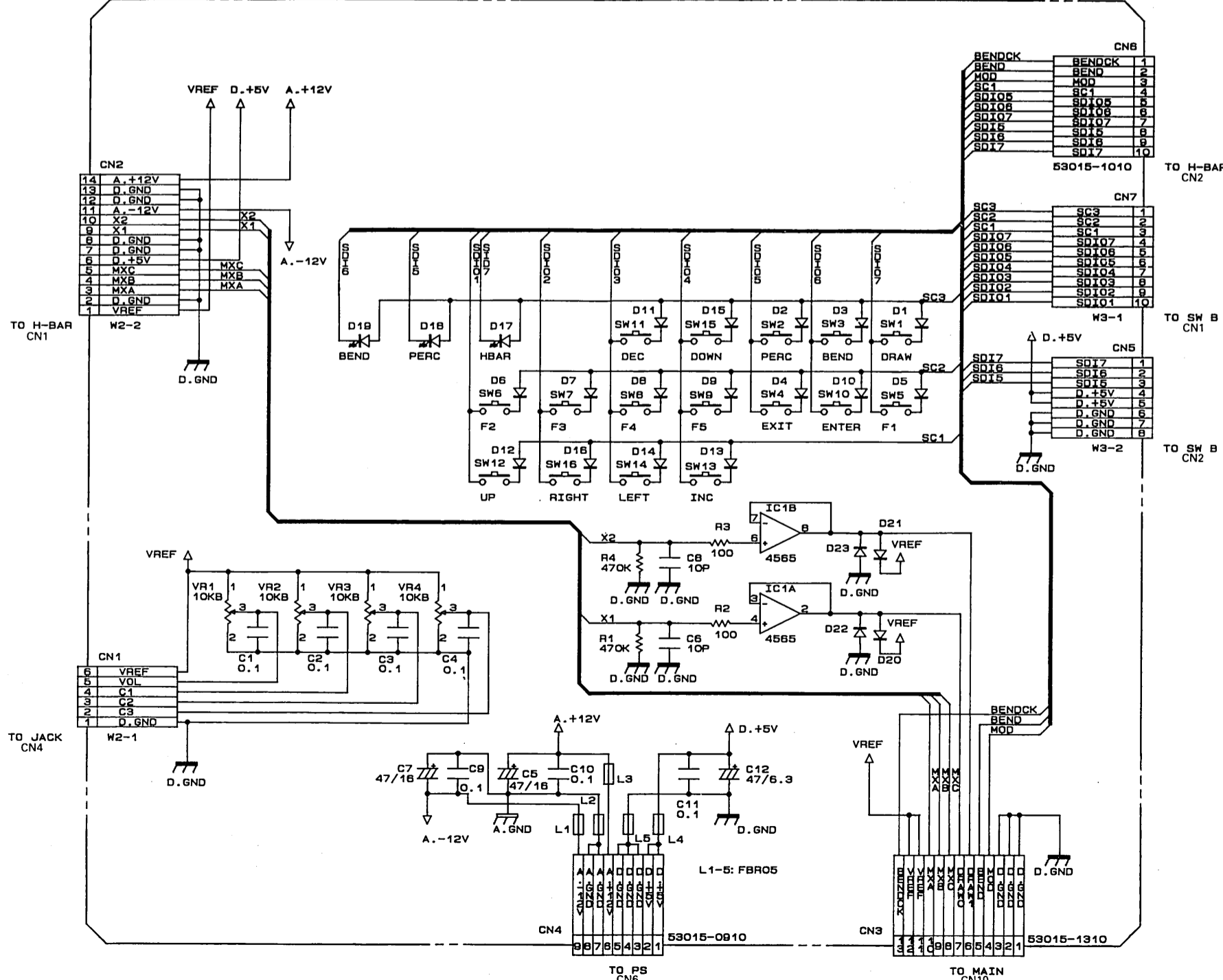
**SWITCH-C BOARD ASS'Y**  
ASSY 7625618000  
(pcb 22925997)

**CARD BOARD ASS'Y**  
ASSY 7625607000  
(pcb 22925997)

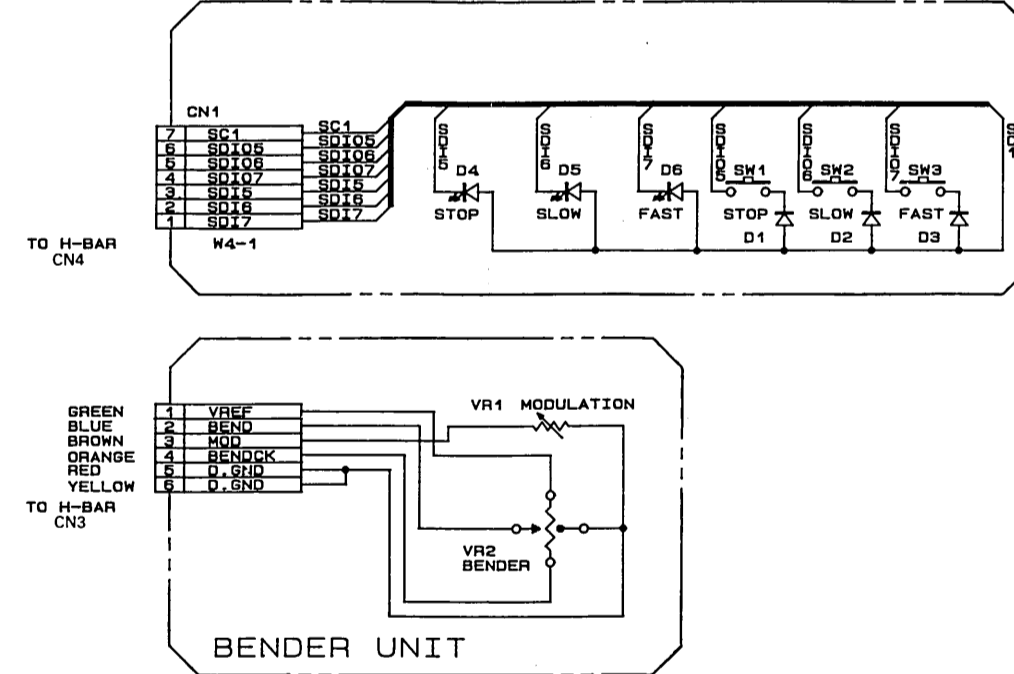


View from component side

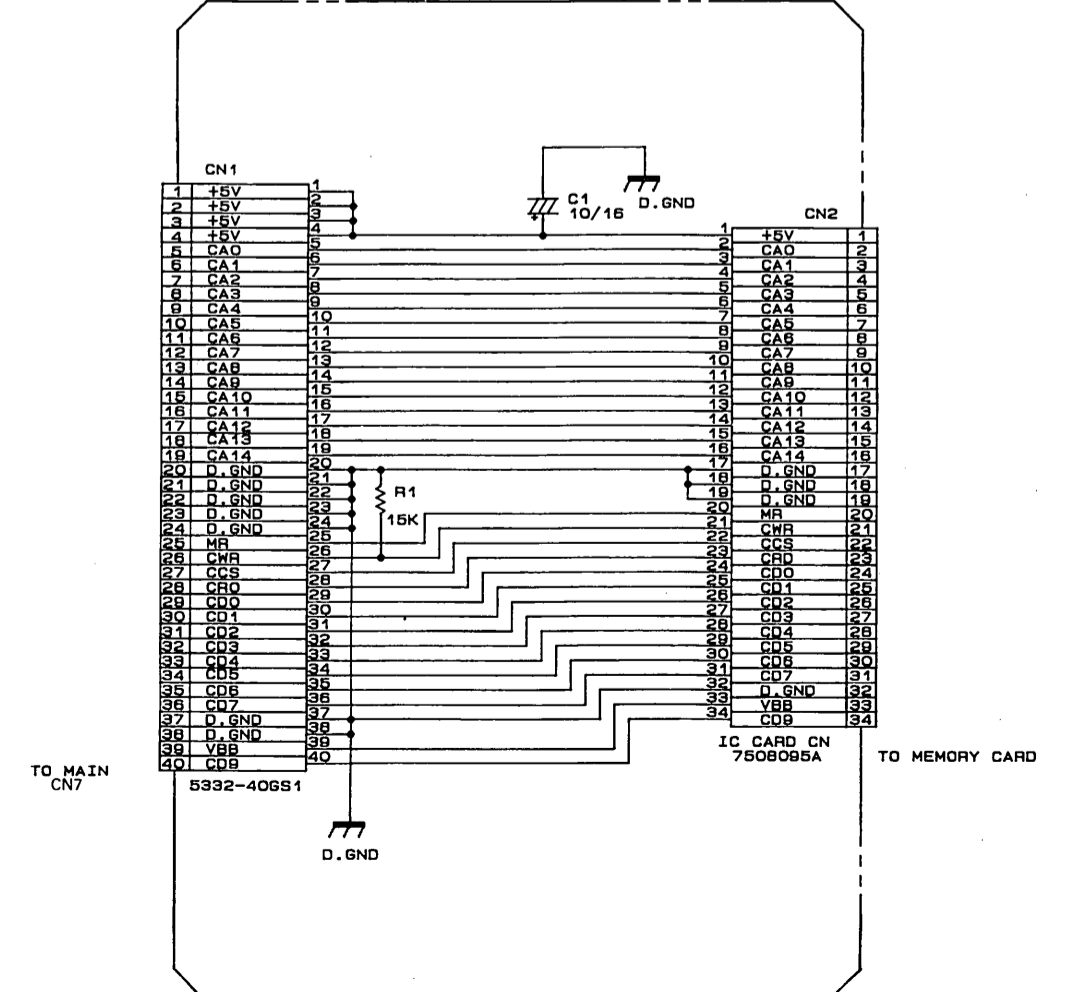
**SWITCH-A BOARD ASS'Y**



**SWITCH-C BOARD ASS'Y**



**CARD BOARD ASS'Y**



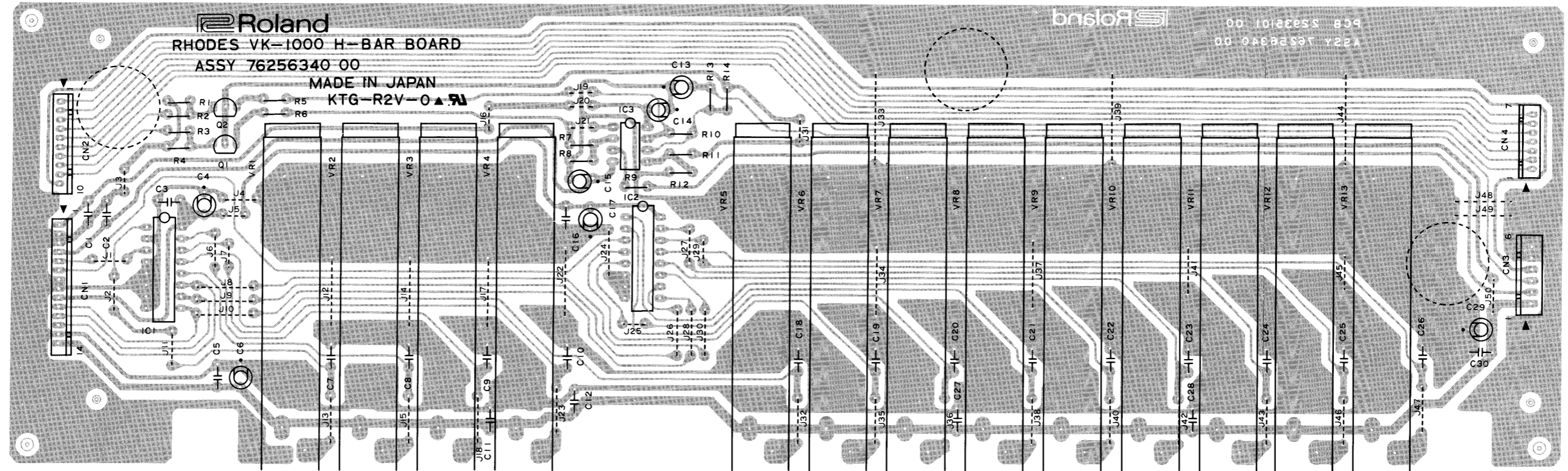


1 2 3 4 5 6 7 8 9 10 11 12 13 14 15 16 17 18 19 20 21 22 23 24 25 26 27 28 29 30

A  
B  
C  
D  
E  
F  
G  
H  
I  
J  
K  
L  
M  
N  
O  
P  
Q  
R  
S  
T  
U

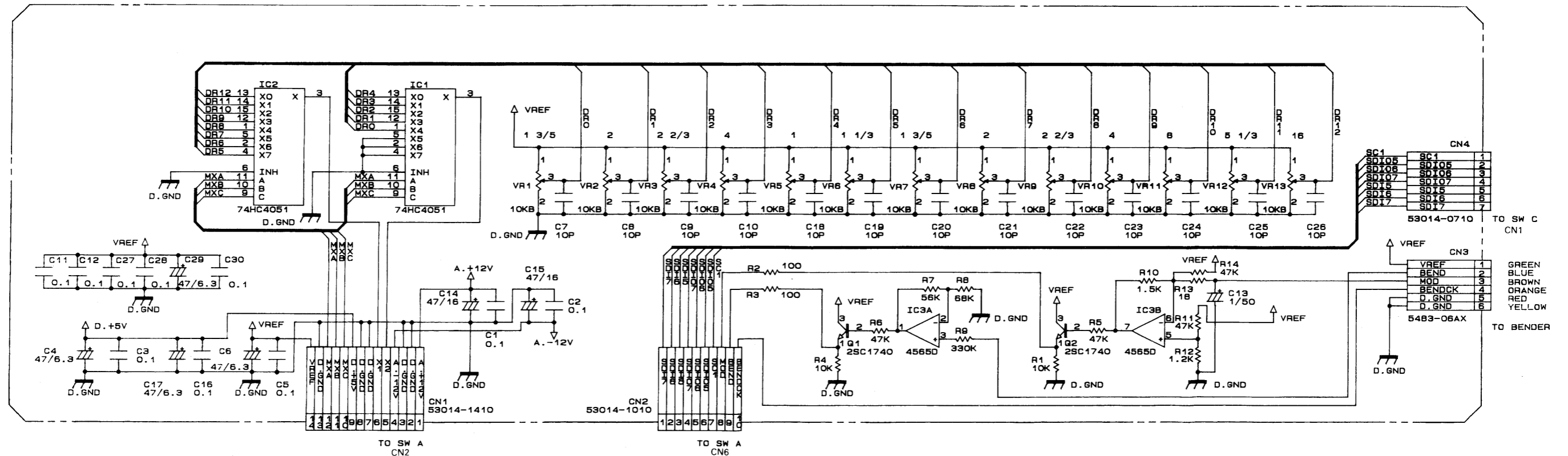
### H-BAR UNIT ASS'Y

ASSY 7625634000  
(pcb 22935101)



View from component side

### H-BAR UNIT ASS'Y

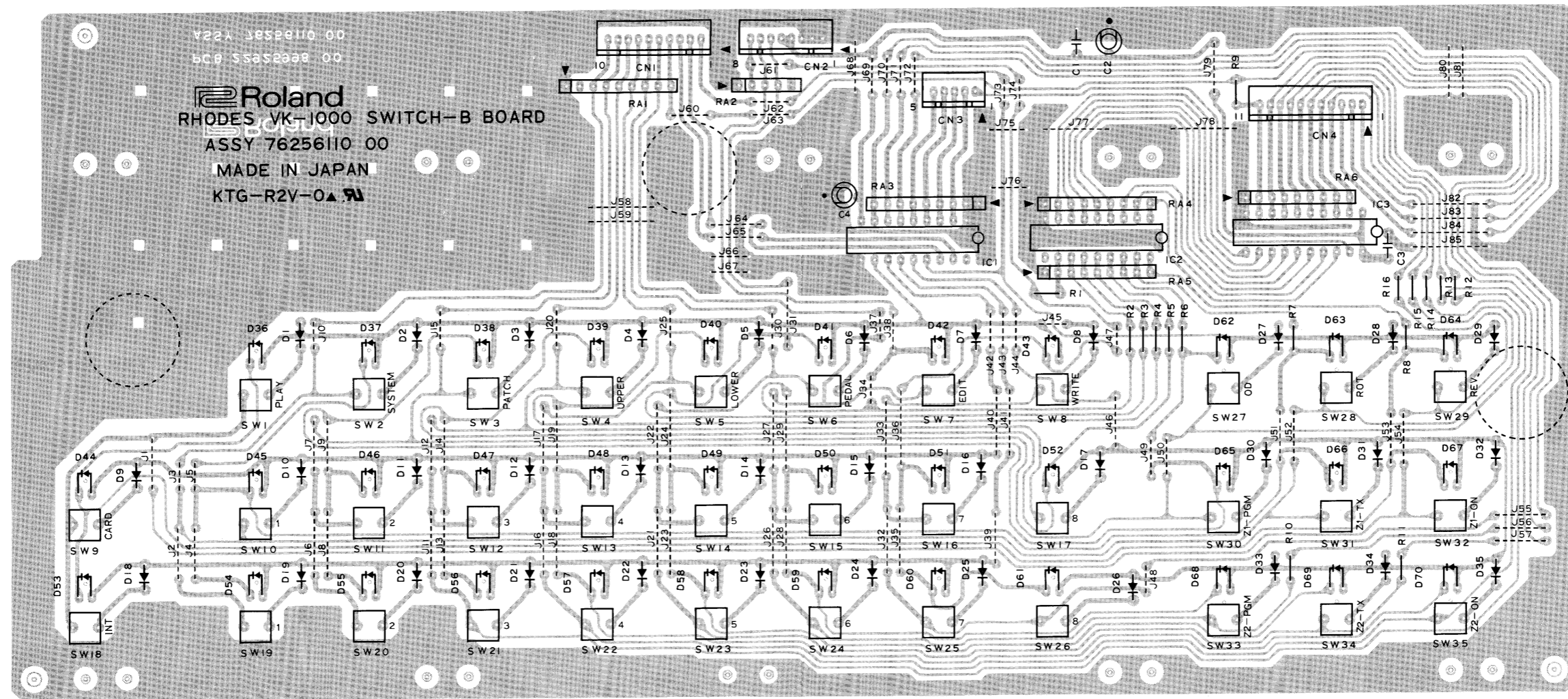


1 2 3 4 5 6 7 8 9 10 11 12 13 14 15 16 17 18 19 20 21 22 23 24 25 26 27 28 29 30

### SWITCH-B BOARD ASS'Y

ASSY 7625611000

(pcb 22925998)



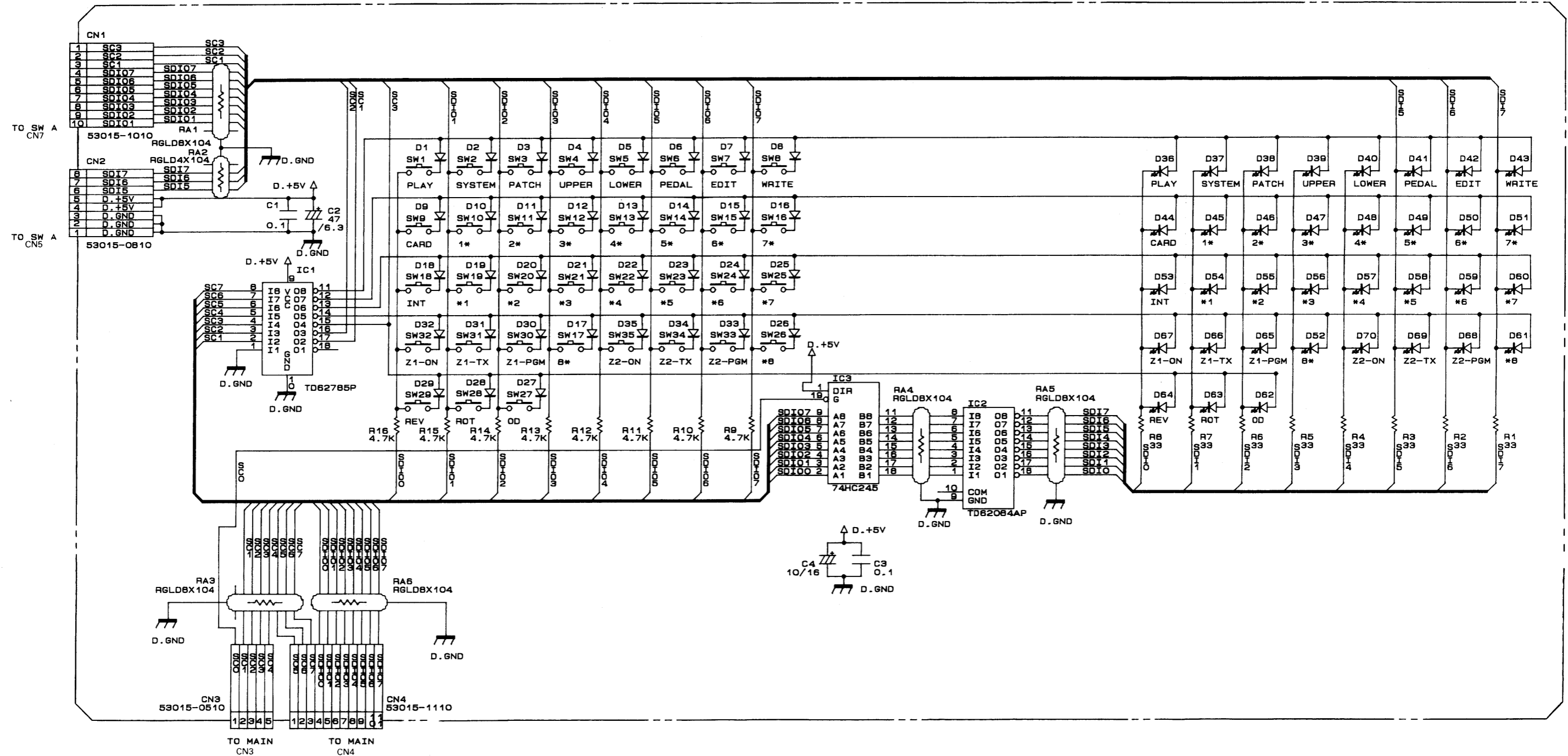
View from component side

A  
B  
C  
D  
E  
F  
G  
H  
I  
J  
K  
L  
M  
N  
O  
P  
Q  
R  
S  
T  
U

1 2 3 4 5 6 7 8 9 10 11 12 13 14 15 16 17 18 19 20 21 22 23 24 25 26 27 28 29 30

A  
B  
C  
D  
E  
F  
G  
H  
I  
J  
K  
L  
M  
N  
O  
P  
Q  
R  
S  
T  
U

### SWITCH-B BOARD ASS'Y



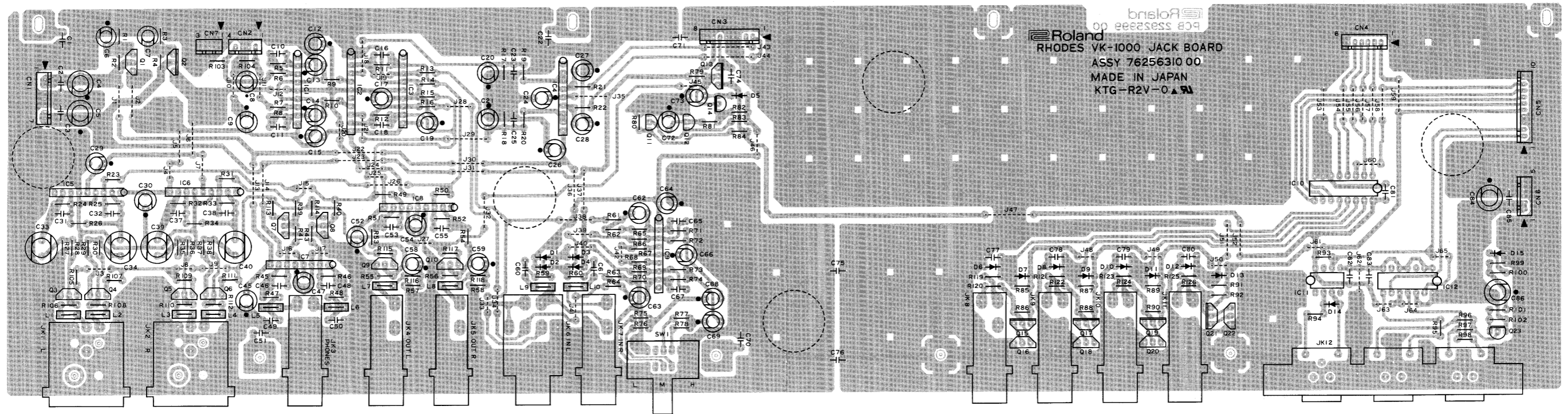
1 2 3 4 5 6 7 8 9 10 11 12 13 14 15 16 17 18 19 20 21 22 23 24 25 26 27 28 29 30

A  
B  
C  
D  
E  
F  
G  
H  
I  
J  
K  
L  
M  
N  
O  
P  
Q  
R  
S  
T  
U

### JACK BOARD ASS'Y

ASSY 7625631000

(pcb 22925999)

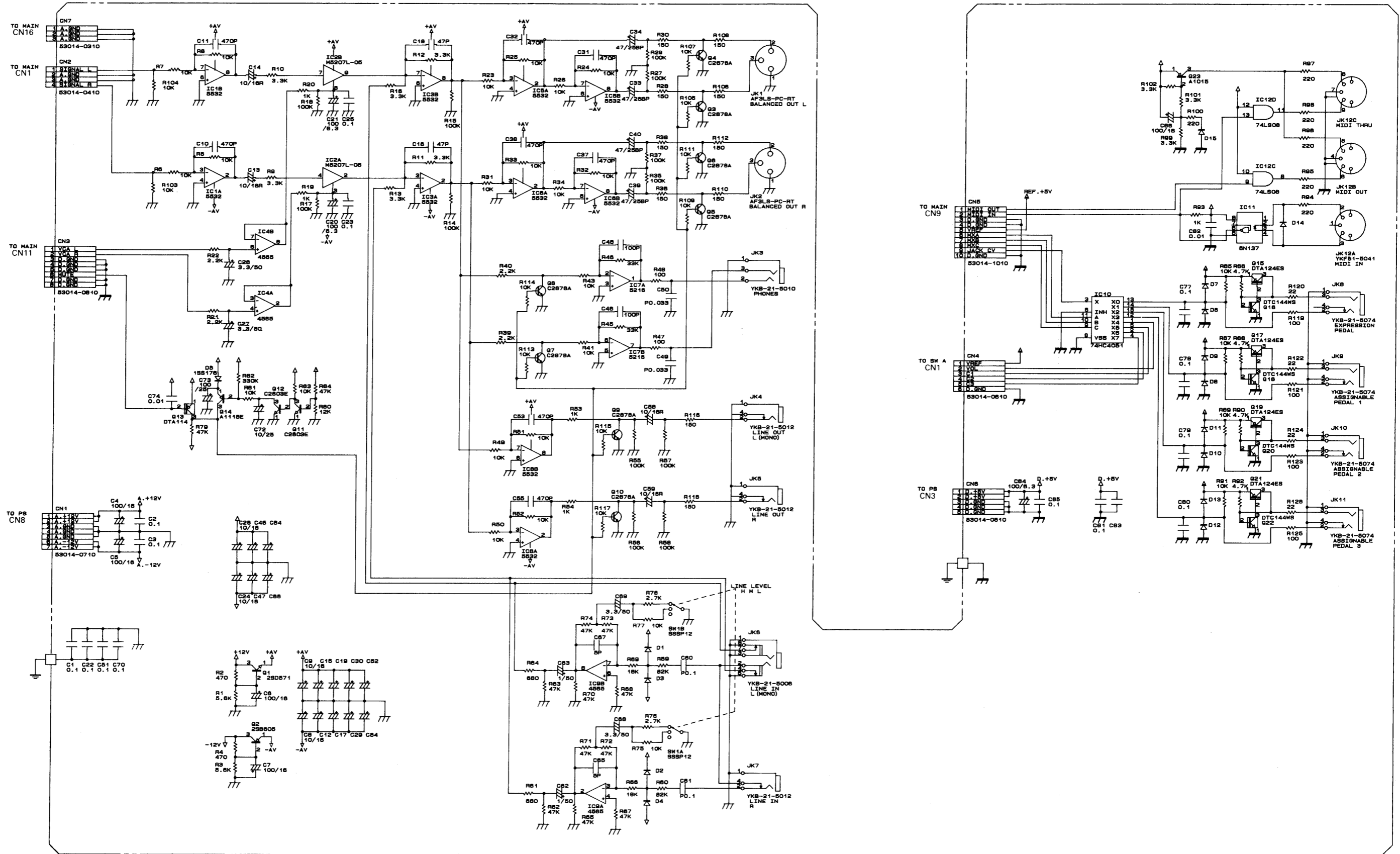


View from component side

1 2 3 4 5 6 7 8 9 10 11 12 13 14 15 16 17 18 19 20 21 22 23 24 25 26 27 28 29 30

A  
B  
C  
D  
E  
F  
G  
H  
I  
J  
K  
L  
M  
N  
O  
P  
Q  
R  
S  
T  
U

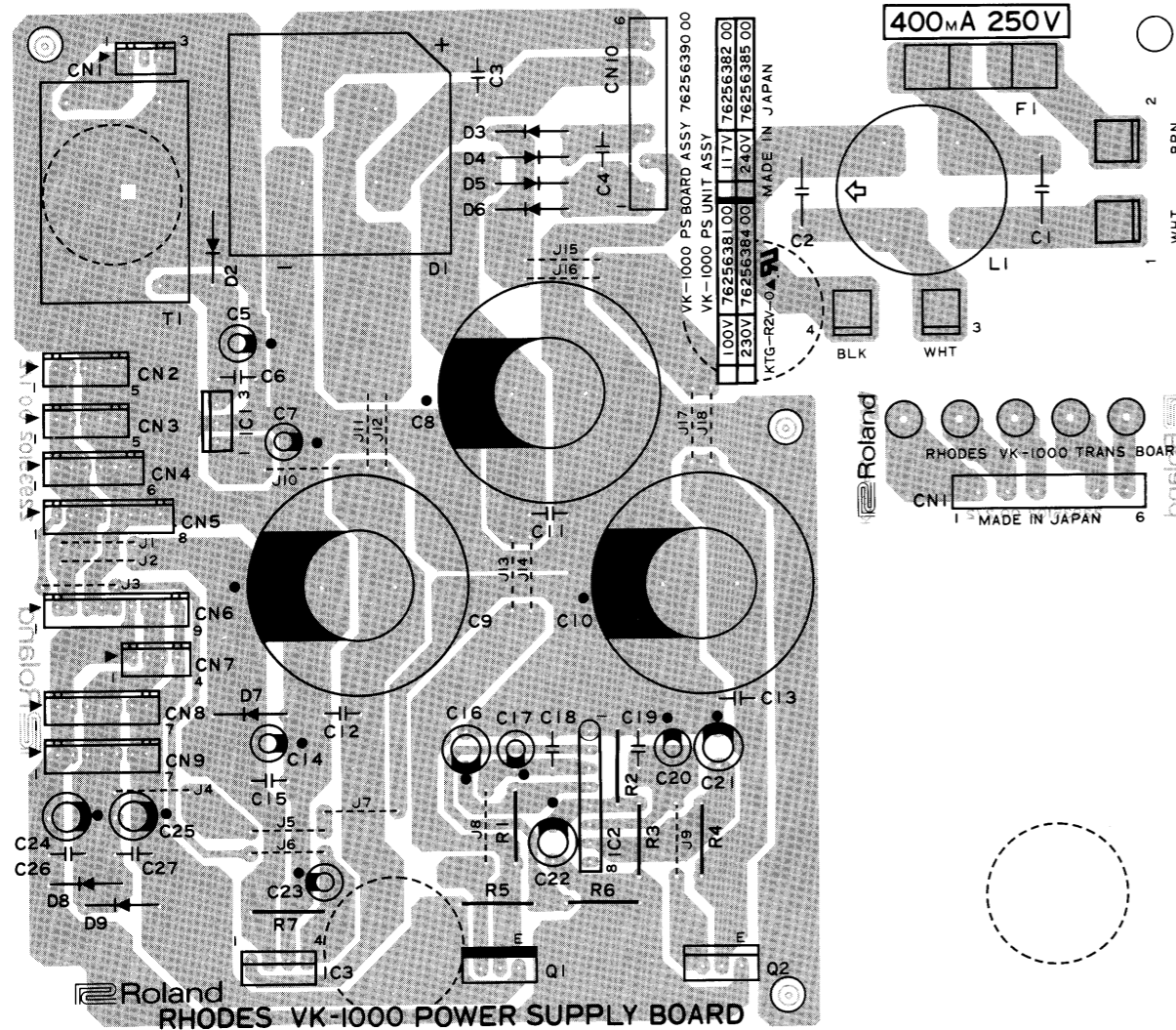
# JACK BOARD ASS'Y



1 2 3 4 5 6 7 8 9 10 11 12 13 14 15 16 17 18 19 20 21 22 23 24 25 26 27 28 29 30

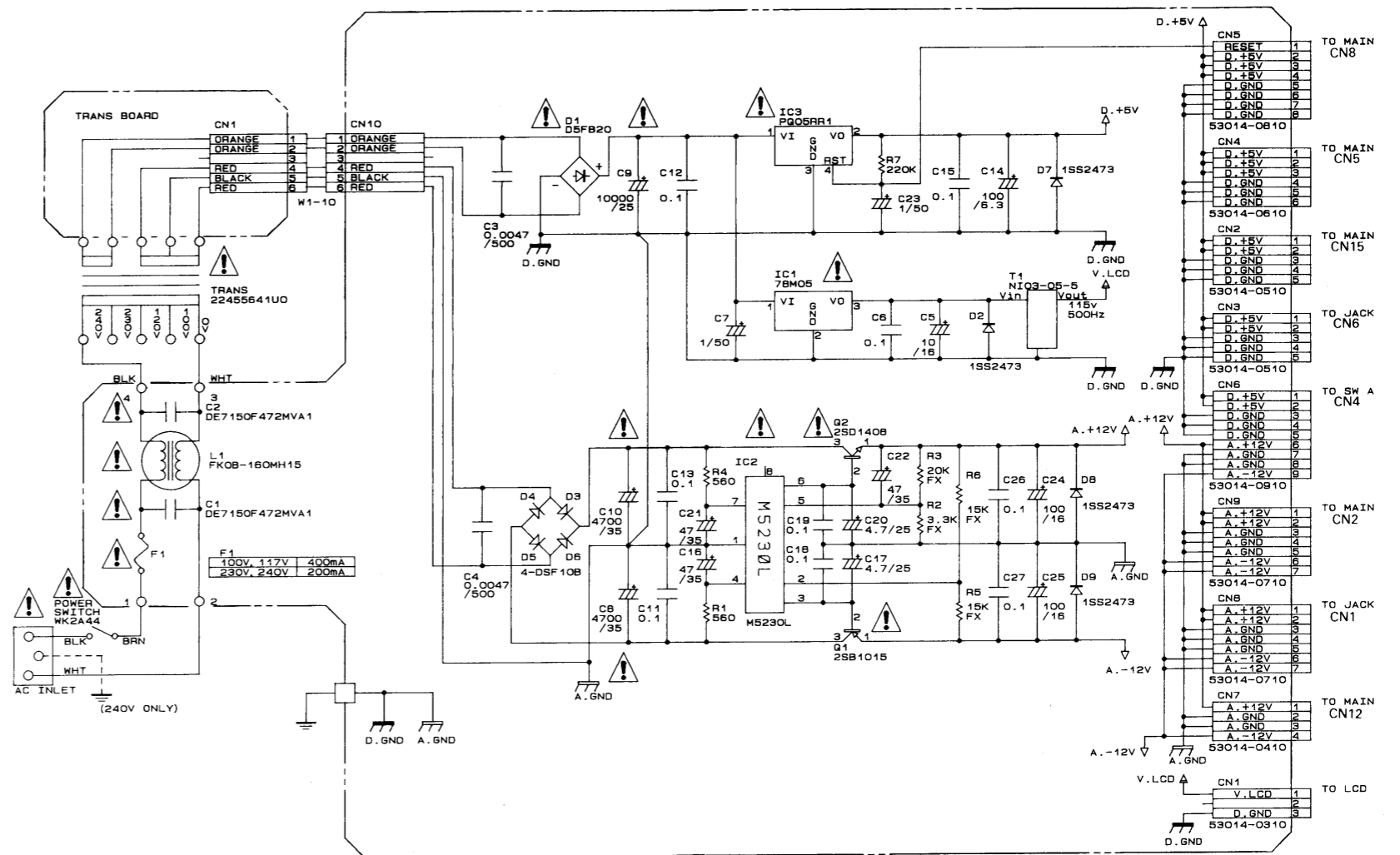
**A POWER SUPPLY BOARD ASS'Y WITH TRANS BOARD**

ASSY 7625639000  
(pcb 22935102)



View from component side

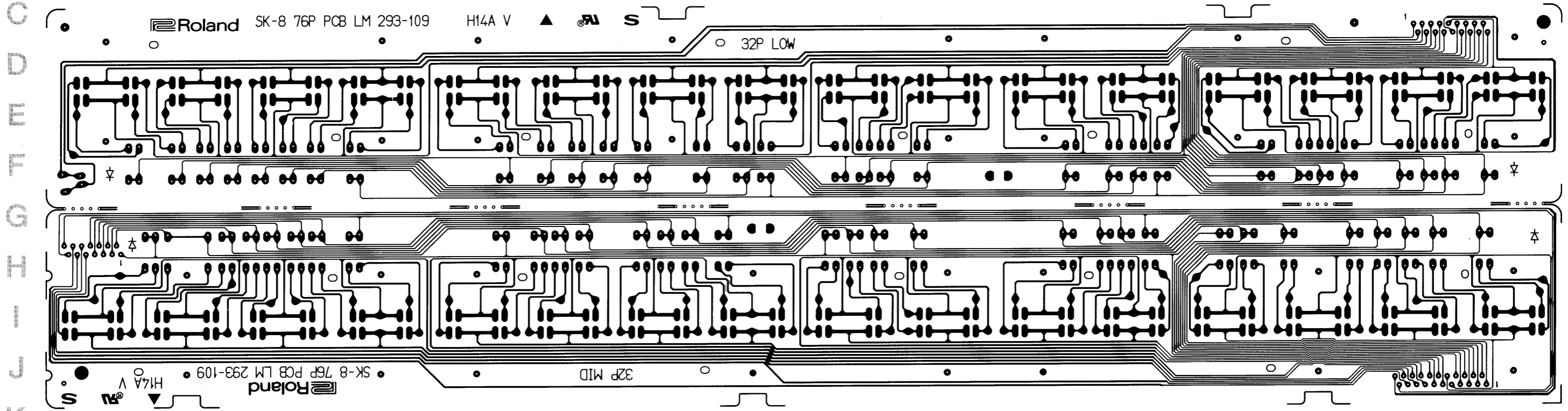
**POWER SUPPLY BOARD ASS'Y WITH TRANS BOARD**



A B C D E F G H I J K L M N O P Q R S T U

1 2 3 4 5 6 7 8 9 10 11 12 13 14 15 16 17 18 19 20 21 22 23 24 25 26 27 28 29 30

**A SK-876-A PCB 32P LOW P-7 ASS'Y**  
ASSY 7625622000

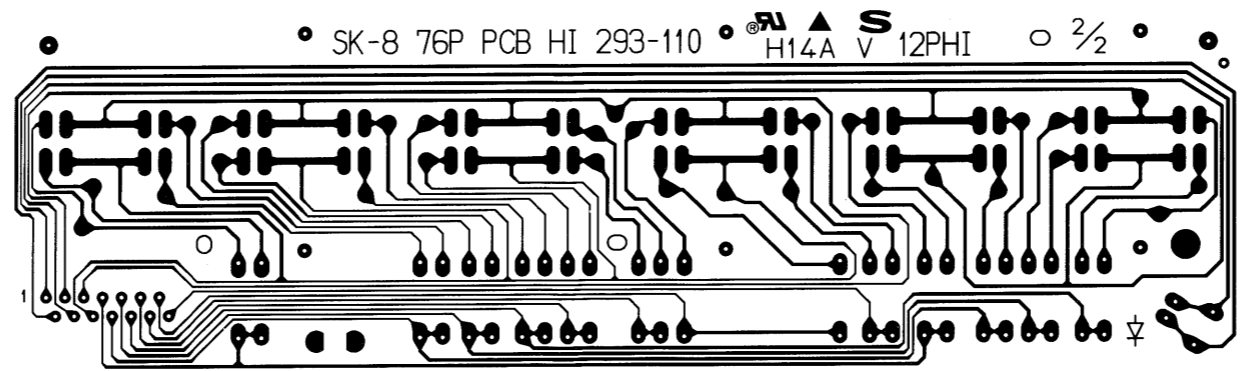


View from component side

**L SK-876-A PCB 32P MID P-7 ASS'Y**  
ASSY 7625623000



**O SK-876-A PCB 12P HI P-7 ASS'Y**  
ASSY 7625623000

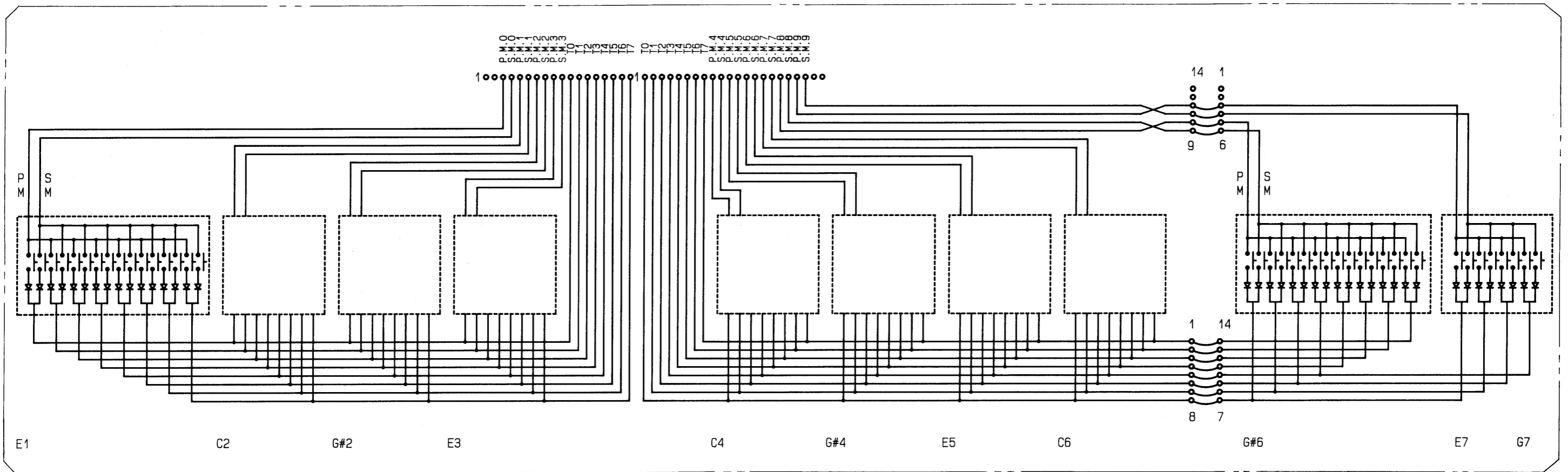


View from component side

U

1 2 3 4 5 6 7 8 9 10 11 12 13 14 15 16 17 18 19 20 21 22 23 24 25 26 27 28 29 30

A  
B  
C  
D  
E  
F  
G  
H  
I  
J  
K  
L  
M  
N  
O  
P  
Q  
R  
S  
T  
U



**SK-876-A PCB 32P LOW P-7 ASS'Y**

**SK-876-A PCB 32P MID P-7 ASS'Y**

**SK-876-A  
PCB 12P HI P-7 ASS'Y**



**CHANGE INFORMATION**

◎Changes in Mechanism Parts

Changed parts: Blind (PNo.22235334) :Size changed  
 Side Holder R (PNo.22205605):Size changed  
 Side Holder L (PNo.22205606):Hole added

EFF. SNo. : SNo.ZC80950-up

Peason : To improve workability

Application to Servicing:

Parts of new size and hole are supplied as repair parts. Since they are compatible, no particular instruction is given for servicing.

◎Changes in Mechanism Parts

Changed parts: Angle (PNo.22125690) :Shape changed  
 Bottom Board (PNo.21135248):Shape changed  
 Hinge (PNo.22325154) :Parts changed

EFF. SNo. : SNo.ZC81050-up

Peason : To improve workability

Application to Servicing:

Parts of new shape are supplied as repair parts. Note that they are not compatible with those of old shape. When changing the Bottom Board and/or Angle of the VK1000 having SNo. ZC81049 and down, the Bottom Board, Angle and Hinge must be changed at the same time. Note that an parts of old shape are available for the Hinge only.

◎CPU (IC22 on Main Board) and EPROM (IC18 on Main Board) Version List

Note: The VK1000 has two different program ROMs. Note that if the CPU and EPROM are different in version, the VK1000 does not operate properly. The repair CPU, EPROM and Main Board supplied are of Ver. 1.00. The CPU/EPROM must be ordered with their version specified. The Main Board, CPU and EPROM of Ver. 1.02 will be supplied when the production of Ver. 1.02 is started. (Scheduled for the end of October, 1991) For details of the changes, effective SNo., etc., see Table 1.

**変更案内**

◎機構部品の変更

部品変更: Blind (PNo.22235334) :寸法変更  
 Side Holder R (PNo.22205605) :寸法変更  
 Side Holder L (PNo.22205606) :穴追加

実施製番: SNo. ZC80950 以降

理由: 作業性向上の為。

サービスの対応: 補修用部品は、変更後の部品が供給されますが、互換性がありますので、特に有りません。

◎機構部品の変更

部品変更: Angle (PNo.22125690) :形状変更  
 Bottom Board (PNo.21135248) :形状変更  
 Hinge (PNo.22325154) :部品変更

実施製番: SNo. ZC81050 以降

理由: 作業性向上の為。

サービスの対応: 補修用部品は、変更後の部品が供給されます。但し、変更前の部品とは、互換性がありませんので注意して下さい。SNo.ZC81049 以前の VK1000 の Bottom Board, Angle を交換する際は、Bottom Board, Angle, Hinge を同時に交換して下さい。但し、Hinge だけは、変更前の部品も供給されます。

◎CPU (IC22 on Main Board) 及び EPROM (IC18 on Main Board) のバージョン一覧表

注: VK1000 はプログラム ROM が 2 つに分かれています, CPU と EPROM のバージョンが異なると、正常に動作しませんので注意して下さい。補修用 CPU と EPROM, Main Board のバージョンは、Ver.1.00 が供給されます。CPU/EPROM をオーダーする際は、必ずバージョンを明記して下さい。 Main Board, CPU, EPROM は Ver.1.02 の生産が始まった時点で、Ver.1.02 の供給を始めます, (1991/10月末予定) 変更内容、実施製番等の詳細は、表 1 を参照して下さい。

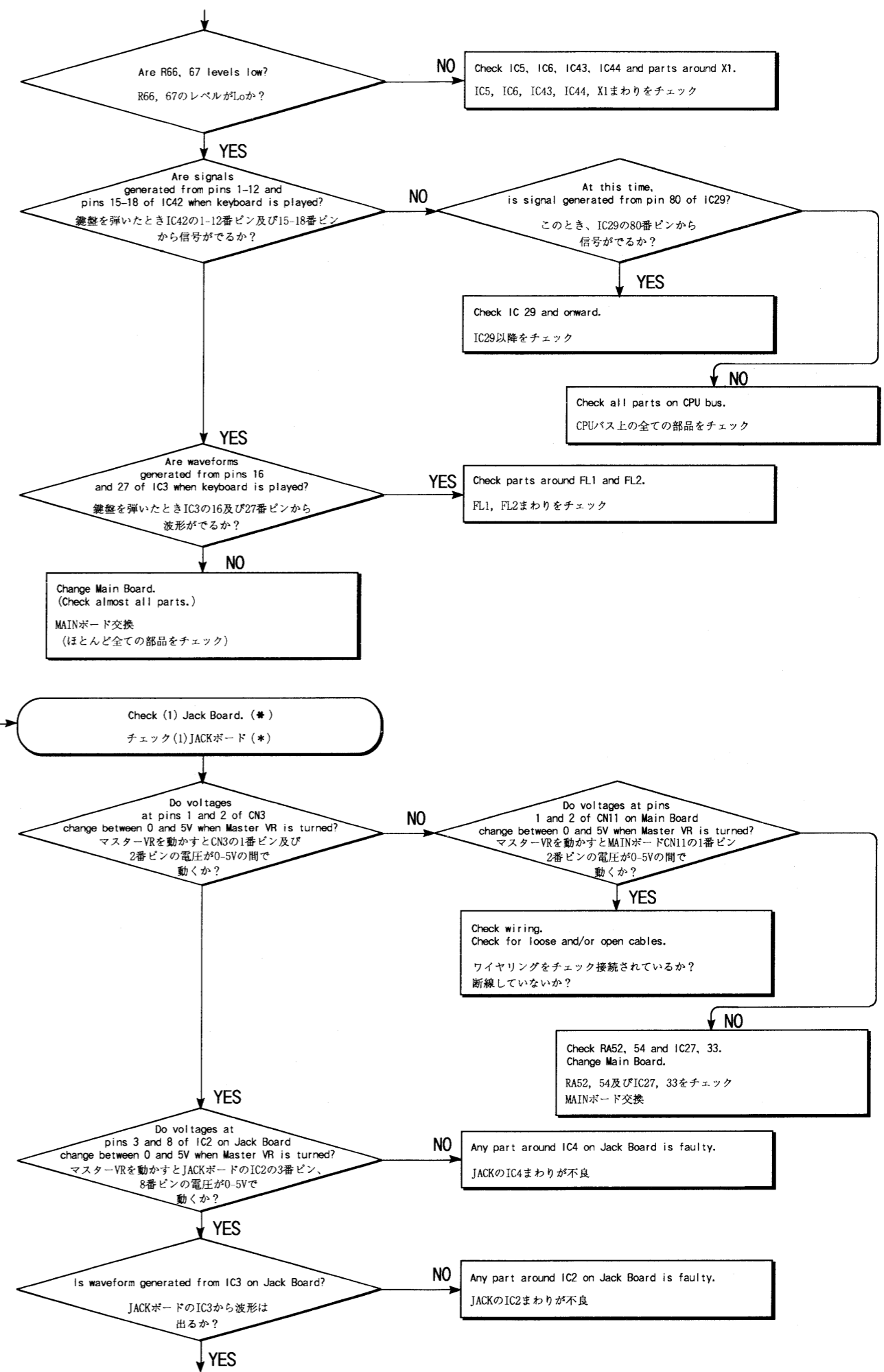
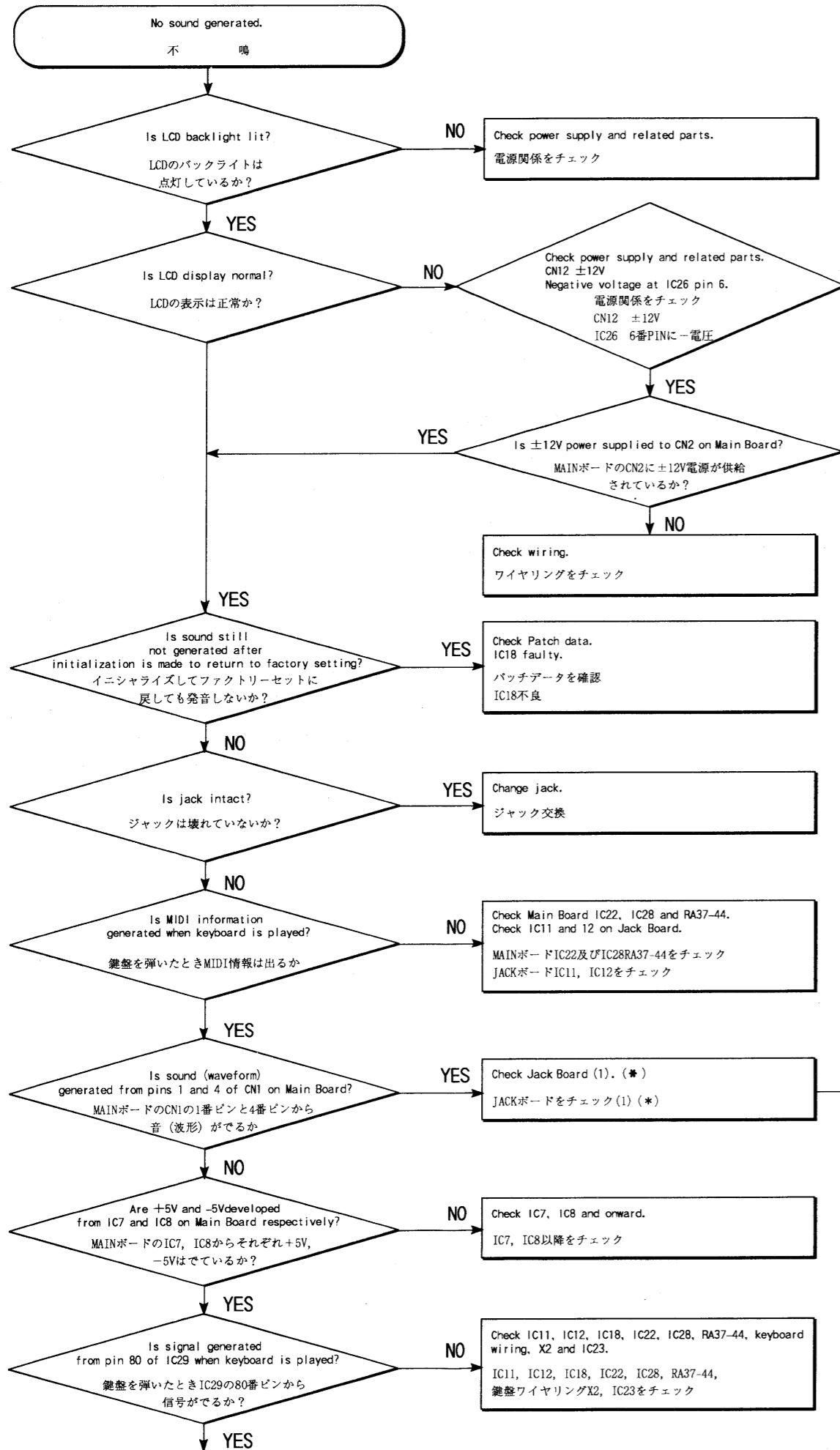
Table 1/表 1

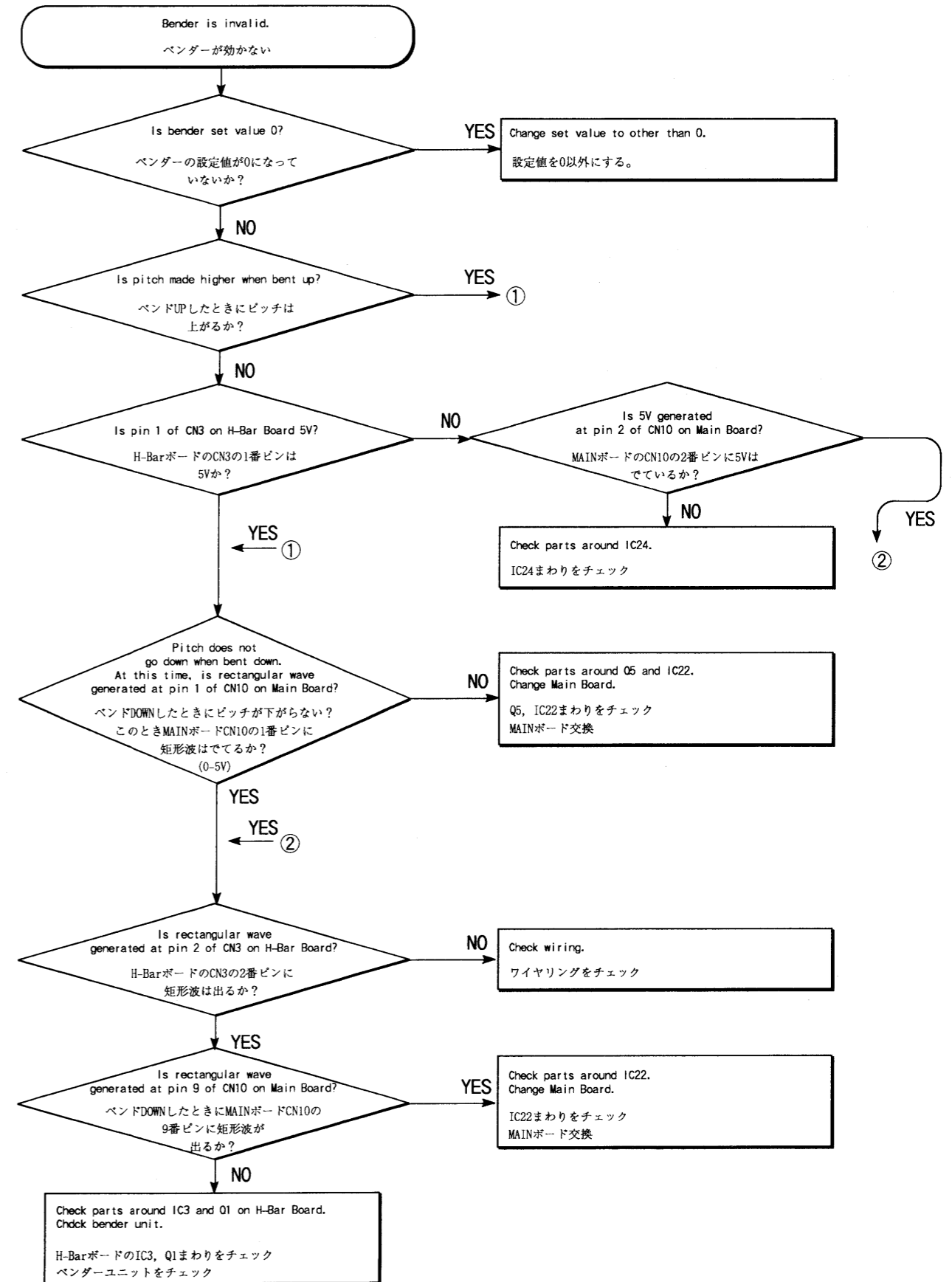
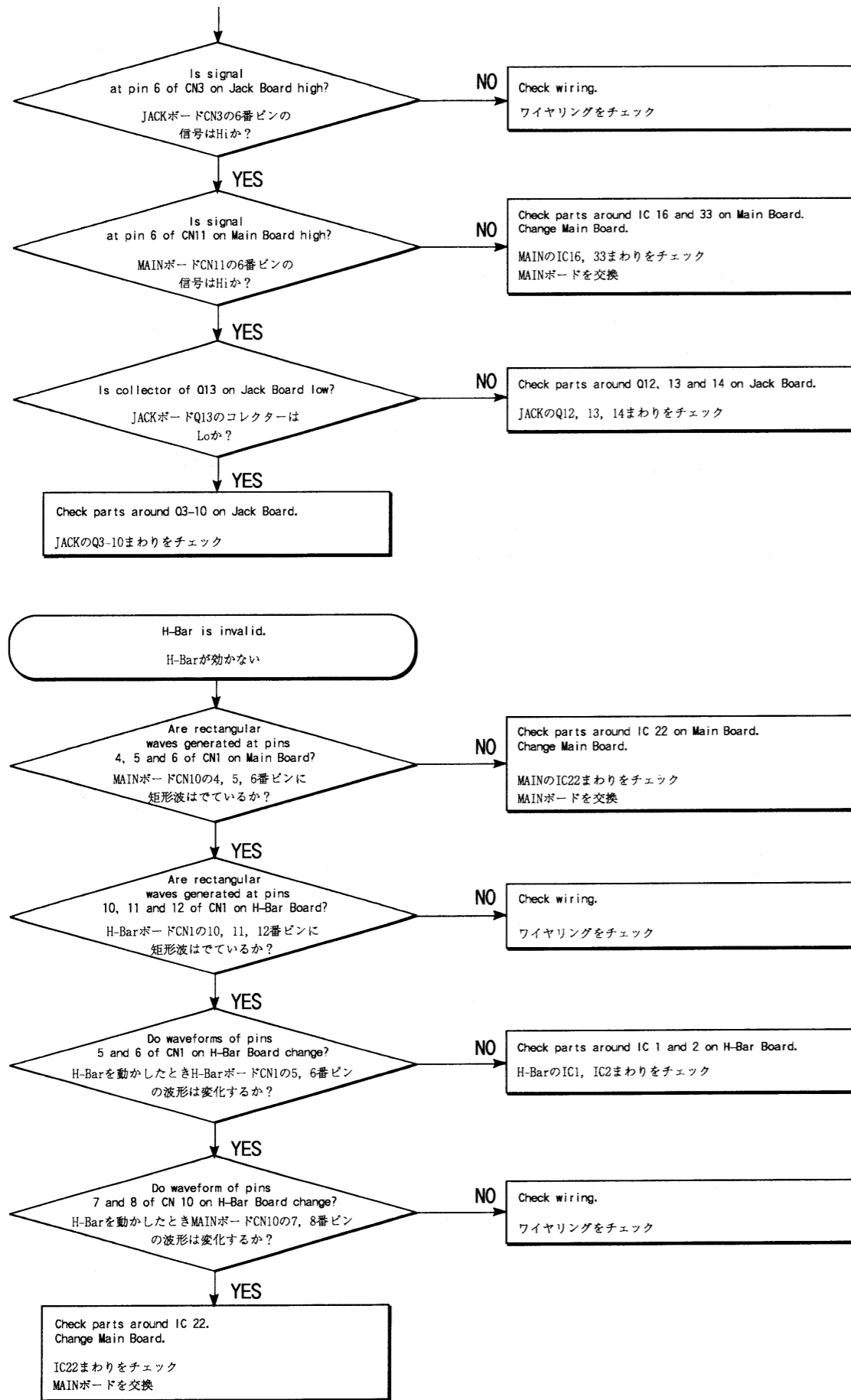
| Version/Serial No.                      | CPU   | EP ROM                                  | Description/変更内容  |
|---|---|---|---|
| Ver.1.00<br>SNo.ZC80100<br>-SNo.ZC81149 | PNo.15199747<br>H8/ZTAT<br>Not Marking<br>マーキングなし | PNo.15449262<br>Green Marking<br>緑マーキング |   |
| Ver.1.01<br>SNo.ZC81150<br>-SNo.ZC81249 | PNo.15199747<br>H8/ZTAT<br>Red Marking<br>赤マーキング  | PNo.15449269<br>Red Marking<br>赤マーキング   | Part of the EPROM program has been moved to the CPU.<br>EPROM のプログラムの一部を CPU 側へ移動した。  |
| Ver.1.02<br>SNo.Z**1250 以降/-up          | PNo.15199746<br>H8/MASK                           | PNo.15449278<br>Red Marking<br>赤マーキング   | The following changes will be achieved for Ver. 1.02:<br>1. The way of changing the pitch envelope will be improved.<br>2. For Ver. 1.01 and down, the sound generator at the other end keeps generating sound when the Hold pedal is kept pressed and the system-set MIDI Tx Ctro. Chg. is switched from ON to OFF.<br>For Ver. 1.02 and up, when the MIDI Tx Ctrl. Chg. is switched from ON to OFF, the Hold/Soft/Sostenuto switches off Tx Ctrl. Chg. of the VK1000 after sending OFF of the pedal information to the equipment at the other end.<br>Ver.1.02 では以下のように変更されます。<br>1. ピッチエンベロープの変化の仕方を改良。<br>2. Ver.1.01 以前では Hold ペダルを踏みながら、SYSTEM 設定の MIDI Tx Ctrl. Chg. をオンからオフにすると相手側の音源が発音したままになる。<br>Ver.1.02 以降はオンからオフにした時 Hold/Soft/Sostenuto は相手機器にペダル情報のオフを送信した後で本体の Tx Ctrl. Chg. をオフにする。 |

There are no functional differences between Ver. 1.00 and Ver. 1.01.

注: Ver.1.00 と Ver.1.01 は機能的な違いはありません。

# TROUBLESHOOTING/トラブルシューティング





## APPENDIX/資料編

### ◇ERROR Messages

If you operate the VK-1000 incorrectly or if an operation could not be executed properly, an error message will appear in the display.

Refer to this section and take the appropriate action.

- ① Messages when you turn the power on  
**Battery Low !**  
 Reason: The internal backup battery is low.  
 Action: Please change the internal backup battery.

② Messages during the Write operations

<No Memory Card !>

Reason: A Memory Card was not inserted into the card slot or was not correctly inserted.

Action: Correctly insert the Memory Card into the card slot (Press **EXIT** to the previous screen).

<Memory Card Battery Low !>

Reason: The backup battery of the Memory Card is low.

Action: Refer to the instructions included with the Memory Card and replace the battery (CR2016).

<Memory Card protected !>

Reason: The protect switch of the Memory Card is set to the ON position.

Action: Press **EXIT** to return to the previous screen (Write or Copy). Turn the protect switch of the Memory Card to the OFF position, and try the operation again.

<Improper Memory Card !>

Reason: An Unformatted Memory Card or a Memory Card for another device has been inserted into the card slot.

Action: If you have inserted the card by mistake, remove it immediately (Press **EXIT** to return to the previous screen). In order to use a new Memory Card, or a Memory Card which has been used by another device, you must format the card before using. Please use M-256E Memory Cards. Refer to the "How to format a memory card" (P. 28) for details.

<Memory Card Format Error !>

Reason: The format operation was not executed correctly.

Action: Check the Memory Card, and try the operation again.

<Unformatted Card !>

Reason: An Unformatted Memory Card or a Memory Card for another device has been inserted into the card slot.

Action: Format the Memory Card.  
 Refer to the "How to format a memory card" (P. 28) for details.

### ◇エラー・メッセージ

操作が誤っていたり正しく実行されなかったりすると、ディスプレイにエラー・メッセージが表示されます。エラー・メッセージが表示された場合は、内容を確認し、対応する処置を行なってください。

- ① 電源を入れたときに出るメッセージ  
**Battery Low !**  
 原因：本体のバックアップ用電池が消耗しています。  
 対応：電池を交換して下さい。

② ライト操作の途中に出るメッセージ

<No Memory Card !>

原因：メモリー・カードがカード・スロットに差し込まれていません。または確実に差し込まれていません。

対応：正しくメモリー・カードをカード・スロットに差し込んでください (**EXIT** を押すと元の画面に戻ります)。

<Memory Card Battery Low !>

原因：メモリー・カードの電池が消耗しています。  
 対応：メモリー・カードの取扱説明書を読んでから、電池 (CR2016) を交換してください (**EXIT** を押すと元の画面に戻ります)。

<Memory Card Protected !>

原因：メモリー・カードが書き込み禁止になっているため、ライトやコピーが実行できません。

対応：**EXIT** を押して前の画面に戻り、メモリー・カードのプロテクト・タブをオフにしてもう一度操作をやり直してください。

<Improper Memory Card !>

原因：フォーマットされていないメモリー・カードや、他機種用のメモリー・カードがカード・スロットに差し込まれています。

対応：フォーマットされた正しいメモリー・カードをご使用ください。メモリー・カードは M-256E をご使用ください。フォーマットの方法は、“カードのフォーマット方法” (P. 28) を参照して下さい。

<MEMORY CARD Format Error !>

原因：メモリー・カードのフォーマット操作が正しく行われませんでした。

対応：正しいメモリー・カードがカード・スロットに差し込まれているかどうかを確認して、もう一度操作をやり直してください。

<Unformatted Card !>

原因：フォーマットされていないメモリー・カードにデータを書き込もうとしています。

対応：フォーマットの方法は“カードのフォーマット方法” (P. 28) を参照して下さい。

<Memory Card Data Error !>

Reason: The write or copy operation was not executed correctly.

Action: Press **EXIT** to return to the previous screen, check the Memory Card correctly inserted to the card slot, and try the operation again.

③ The other

<MIDI Check Sum Error !>

Reason: Due to an incorrect checksum, exclusive data was correctly received.

Action: Press **EXIT** to return to the previous screen. Check MIDI cables and the data being transmitted, and try the operation again.

### ◇How to format a Memory Card (Card Formatting)

- ① Connect the Memory Card to the card slot correctly and securely with the side where the letter ROLAND is printed facing upward in the direction of the arrow.
- ② Set the protect switch on the Memory Card to the OFF position.
- ③ Press **WRITE** to call the Write Menu screen (Pressing **WRITE** calls the Write Menu screen from any screen).
- ④ Press **F3 INIT** then press **F3 CARD** to open the Card Format screen.
- ⑤ Press **ENTER**. The message "Are your sure ?" will appear in the screen.
- ⑥ To format the card, press **ENTER**. To cancel formatting, press **EXIT**.
- ⑦ In a few seconds after you press **ENTER**, the message "COMPLETE !" appears in the screen indicating that the formatting procedure is complete.
- ⑧ Return the protect switch on the card to the ON position and remove the card from the card slot.

#### NOTE

All formatted cards are automatically assigned the name "Rhodes VK-1000". The VK-1000, however, allows you to name each card (CARD NAME) as you like. To identify one card from another, change the name "Rhodes VK-1000" to a different name using the Card Name function in the Patch Parameters.

<Memory Card Data Error !>

原因：ライト、コピーを実行したときに、メモリー・カードにデータが正しく書き込まれませんでした。

対応：**EXIT** を押して前の画面 (ライトやコピー) に戻り、メモリー・カードが正しく確実に差し込まれていることを確認した上で再度操作してください。

③ その他のメッセージ

<MIDI Check Sum Error !>

原因：チェック・サムが違うためにエクスクルーシブ情報が正しく受信されていません。

対応：**EXIT** を押すと前の画面に戻ります。MIDI ケーブルや送信するデータの内容を確認してもう一度操作をやり直してください。

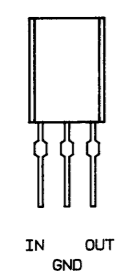
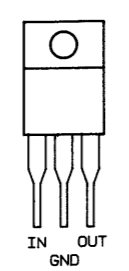
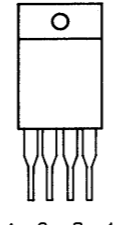
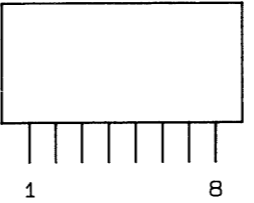
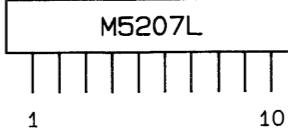
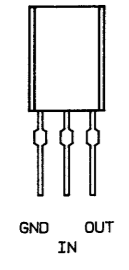
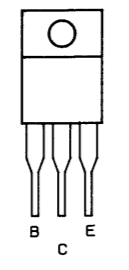
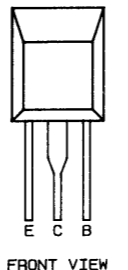
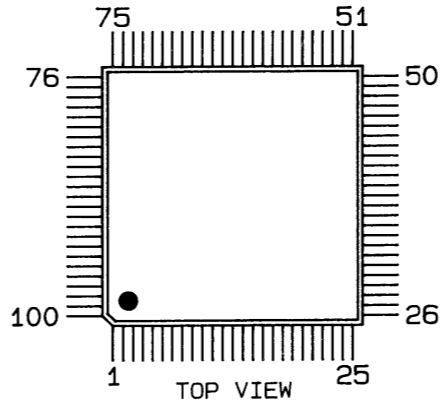
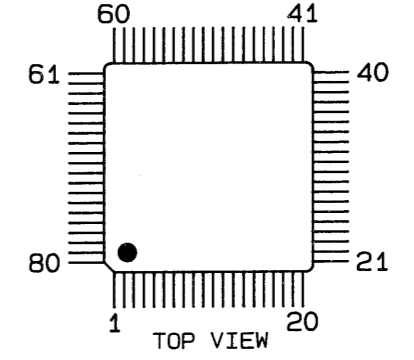
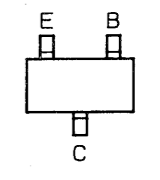
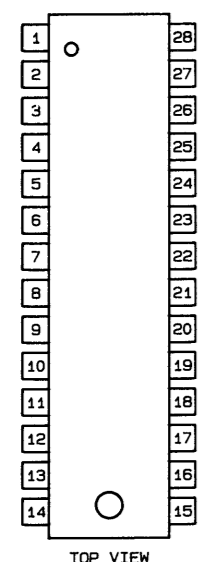
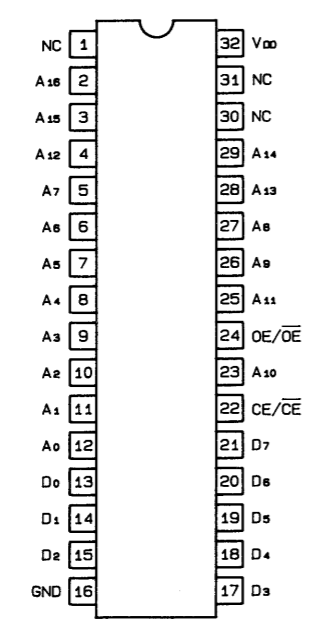
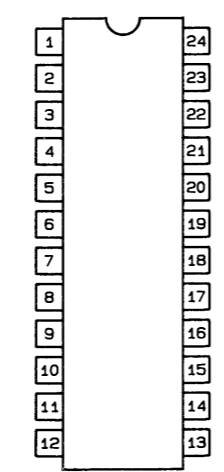
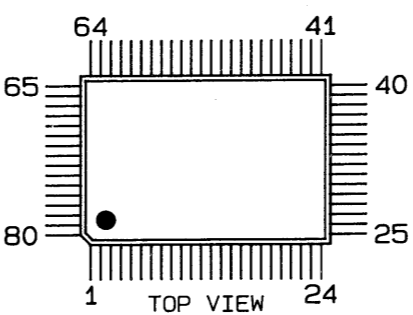
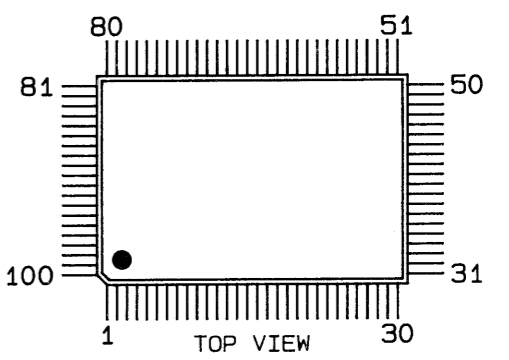
### ◇メモリー・カードを初期化する (カード・フォーマット)

- ① メモリー・カード・スロット (MEMORY CARD) にメモリー・カードを差し込みます。Roland の文字が書いてある面を上にして、矢印の向きにしっかりと差し込んでください。
- ② メモリー・カードのプロテクト・スイッチをオフにします。
- ③ **WRITE** を押して、ライト・メニュー画面を表示させます (どの画面から **WRITE** を押してもこの画面になります)。
- ④ **F3 INIT** を押し、次に **F3 CARD** を押してカード・フォーマット画面を表示させます。
- ⑤ **ENTER** を押します。押すと Are You Sure? (カードをフォーマットしてよろしいですか?) と聞いてきます。
- ⑥ カードのフォーマットを実行するときは **ENTER** を、キャンセルするときは **EXIT** を押します。
- ⑦ **ENTER** を押してしばらくすると、COMPLETE ! (フォーマット操作が終了しました) の表示が現れます。これでカードのフォーマット操作が終了しました。
- ⑧ カードのプロテクト・スイッチをオンに戻してから、カードをメモリー・カード・スロットから抜きます。

#### ご注意

VK-1000 は、カードごとに名前 (カード・ネーム) をつけることができますが、フォーマットを実行した全カードには自動的に Rhodes VK-1000 というカード・ネームがつけます。ほかのカードと区別するためにも、フォーマットしたカードにはパッチ・パラメーターのカード・ネームで、名前を変更してください。

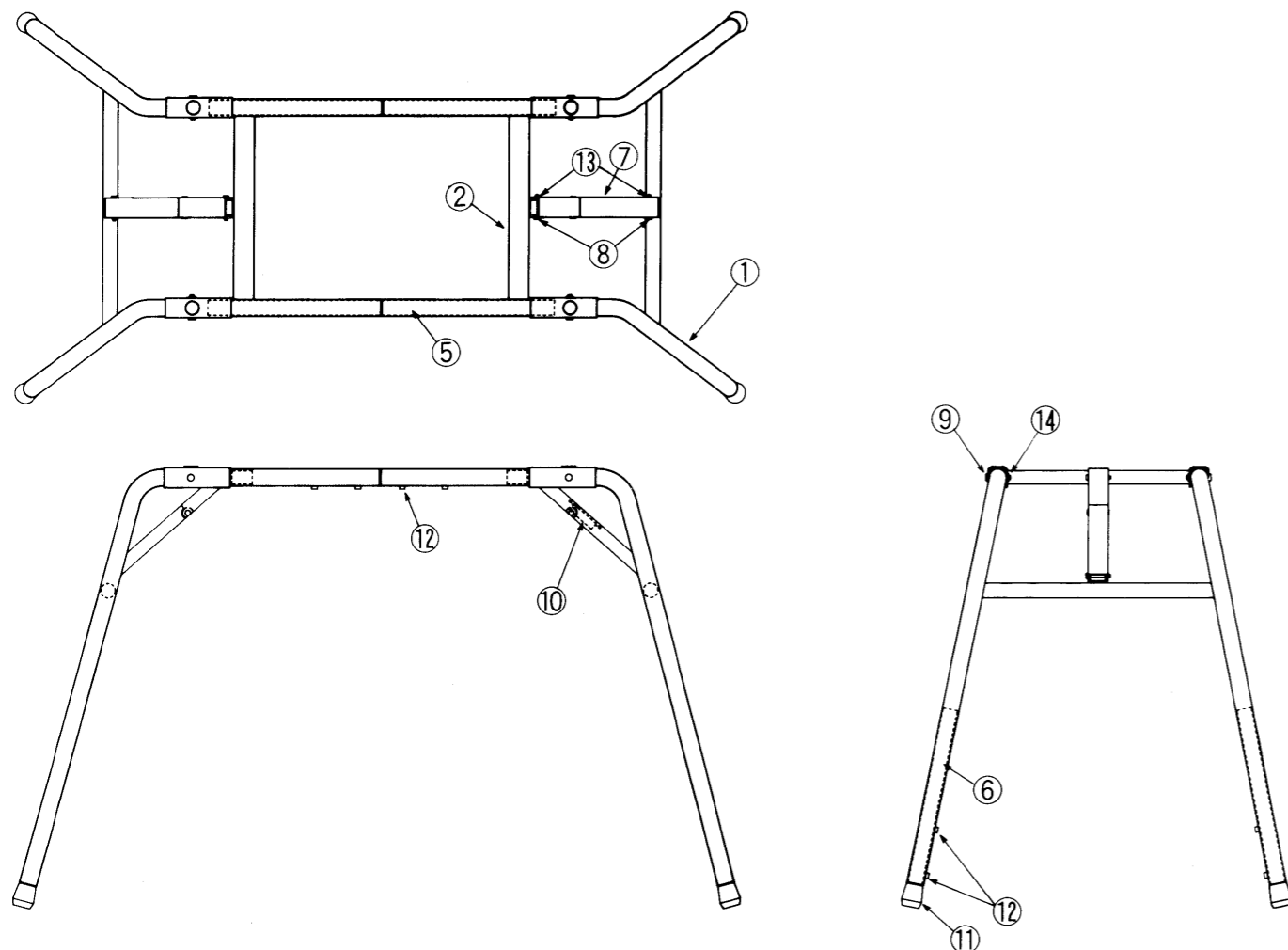
**IC DATA/IC データ**

|   |   |  |   |   |   |
|---|---|--|---|---|---|
| <p><b>+5V V.Regulator</b><br/>TA78L005P TPE6<br/>(15199251)</p>  <p>IN OUT<br/>GND<br/>FRONT VIEW</p>  | <p><b>+5V V.Regulator</b><br/>μPC 78M05H<br/>(15199108NO)</p>  <p>IN OUT<br/>GND<br/>FRONT VIEW</p>  | <p><b>V.Regulator</b><br/>PQ05RR1<br/>(15199244)</p>  <p>1 2 3 4<br/>FRONT VIEW</p> <p>1. DC IN (Vin)<br/>2. DC OUT (Vout)<br/>3. GND<br/>4. RESET OUT (Vr)</p> | <p><b>Power IC</b><br/>M5230L<br/>(15199117)</p>  <p>1 8</p>   | <p><b>Op Amp (VCA)</b><br/>M5207L-05<br/>(15219186)</p>  <p>M5207L<br/>1 10</p>  | <p><b>Chip Tr.</b><br/>2SA1037KR T-96<br/>(15309101)<br/>2SC3326A TE-85L<br/>(15319105)<br/>2SC2412KR T-96<br/>(15319101)<br/><b>Chip D-Tr.</b><br/>DTC124EK T-96<br/>(15329502)<br/>DTA124EK T-96<br/>(15329503)</p> |
| <p><b>-5V V.Regulator</b><br/>TA79L005P TPE6<br/>(15199172)</p>  <p>GND OUT<br/>IN<br/>FRONT VIEW</p>   | <p><b>POWER Tr</b><br/>2SD1408-0<br/>(15129834)<br/>2SB1015-0<br/>(15119814)</p>  <p>B C E<br/>FRONT VIEW</p>   | <p><b>Power Tr.</b><br/>2SD-571L<br/>(15129600)<br/>2SB-605L<br/>(15119601)</p>  <p>E C B<br/>FRONT VIEW</p>   | <p><b>Custom IC</b><br/>TC23SC260AF-002<br/>(15239120)</p>  <p>75 51<br/>76 50<br/>100 26<br/>1 25<br/>TOP VIEW</p>   | <p><b>CPU</b><br/>HD6435328F MASK (15199746)<br/>HD6475328F ZTAT (15199747)</p>  <p>60 41<br/>61 40<br/>80 21<br/>1 20<br/>TOP VIEW</p> |    |
| <p><b>Gate Array</b><br/>R06-0011<br/>(15239170)<br/><b>MASK ROM (Programed)</b><br/>LC3764P (15179444)<br/><b>D/A Converter</b><br/>PCM1700K-T2<br/>(15209189)</p>  <p>TOP VIEW</p> | <p><b>MASK ROM</b><br/>LH530800 Parameter<br/>(15209259)<br/>LH530800 Wave A<br/>(15209260)<br/>LH530800 Wave B<br/>(15209261)<br/>LH530800 Wave C<br/>(15209262)</p>  <p>TOP VIEW</p> | <p><b>OTP ROM</b><br/>AM27C191ACP<br/>(15179734A0)</p>  <p>TOP VIEW</p>   | <p><b>Custom IC</b><br/>SSC1000<br/>(15239124)<br/><b>Gate Array</b><br/>MB60VH142PF-G-BND<br/>(15229837)<br/>MB60VH141PF-G-BND<br/>(15229838)<br/>MB61VH125PGF-G-BND<br/>(15229839)<br/>HG62E11R23FS<br/>(15239147)<br/>HG62E11B24FS<br/>(15235149)</p>  <p>64 41<br/>65 40<br/>80 25<br/>1 24<br/>TOP VIEW</p> | <p><b>Custom IC</b><br/>M60014-0149FP<br/>(15239142)</p>  <p>80 51<br/>81 50<br/>100 31<br/>1 30<br/>TOP VIEW</p>                      |   |

**STAND RS-80**

|    | Part Number | Description                 |           |
|----|-------------|-----------------------------|-----------|
| 1  | 22155183    | RS-80 Pipe A                | パイプ A     |
| 2  | 22155184    | RS-80 Pipe B                | パイプ B     |
| 3  |             | RS-80 Holder A              | ホルダー A    |
| 4  |             | RS-80 Holder B              | ホルダー B    |
| 5  | 22155185    | RS-80 Pipe C                | パイプ C     |
| 6  | 22155186    | RS-80 Pipe D                | パイプ D     |
| 7  | 22145130    | RS-80 Stay                  | ステー       |
| 8  | 22145365    | RS-80 Shaft A               | シャフト A    |
| 9  | 22145366    | RS-80 Shaft B               | シャフト B    |
| 10 | 22175217    | KS-5 Stay Spring            | ステー・スプリング |
| 11 | 12359147    | Rubber Foot KP-7            | ゴム足       |
| 12 |             | Hexagon Socket Head M5 x 10 | 六角穴付ボルト   |
| 13 |             | Retaining Rings(E-Type) d=3 | E形止め輪 d=3 |
| 14 |             | Retaining Rings(E-Type) d=5 | E形止め輪 d=5 |

NOTE : Holder A are included in Pipe B.  
 Holder B are included in Pipe A and Pipe B.  
 ホルダー A は、パイプ B に含まれる。  
 ホルダー B は、パイプ A とパイプ B に含まれる。



**STAND RS-80 SETUP PROCEDURE**

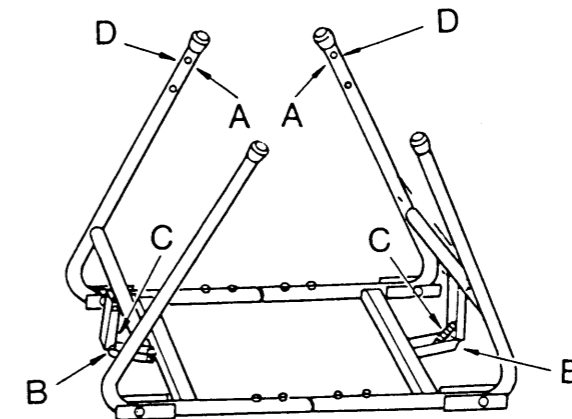
**スタンド RS-80 の設定方法**

**Assembly**

Like the picture below pull the legs outward in the direction A. Then, lock them by pushing the Support Bar in the direction B.  
 When collapsing this stand, unlock the Support Bar by pushing it in the direction C.  
 Then push back the legs in the direction D.

**組み立て方法**

図のように A 方向に回転させた後、B 方向に力を加え、ロックさせて下さい。  
 折りたたむ場合は、逆に C 方向に力を加え、ロックを解除させ、D 方向に回転させて下さい。

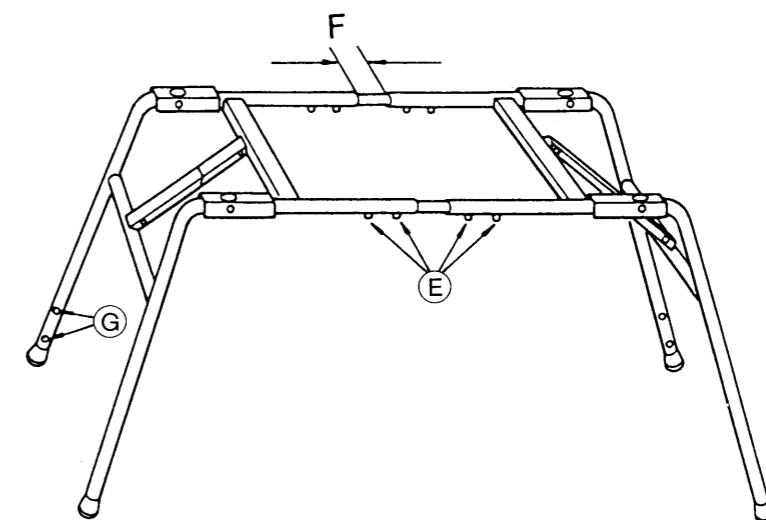


**Adjusting the width of the Stand.**

By taking the screws E off, you can adjust the width of the stand to 5 different lengths;  
 2 mm (as taken out of the Box), 67 mm, 132 mm, 197 mm, 262 mm by measurement F.

**横幅の調節**

ネジ E により F 寸法 2 mm (開梱時), 67mm, 132mm, 197mm, 262mm の 5 段階に調節できます。



**Adjusting the height of the Stand.**

The height of the Stand can be adjusted to 3 different levels, which are 660 mm (as taken out of the Box), 730 mm and 800 mm.

**高さの調整**

高さは、ネジ G により 660mm (開梱時), 730mm, 800mm の 3 段階に調節できます。