



MO2020 TESTOSCILLATOR Signal Generator



Owners Manual

LIMITED WARRANTY

This product is warranted to the original consumer purchaser to be free from defects in materials and workmanship under normal installation, use and service for a period of one (1) year from the date of purchase as shown on the purchaser's receipt.

The obligation of Rolls Corporation under this warranty shall be limited to repair or replacement (at our option), during the warranty period of any part which proves defective in material or workmanship under normal installation, use and service, provided the product is returned to Rolls Corporation, TRANSPORTATION CHARGES PREPAID. Products returned to us or to an authorized Service Center must be accompanied by a copy of the purchase receipt. In the absence of such purchase receipt, the warranty period shall be one (1) year from the date of manufacture.

This warranty shall be invalid if the product is damaged as a result of defacement, misuse, abuse, neglect, accident, destruction or alteration of the serial number, improper electrical voltages or currents, repair, alteration or maintenance by any person or party other than our own service facility or an authorized Service Center, or any use violative of instructions furnished by us.

This one-year warranty is in lieu of all expressed warranties, obligations or liabilities. ANY IMPLIED WARRANTIES, OBLIGATIONS, OR LIABILITIES, INCLUDING BUT NOT LIMITED TO THE IMPLIED WARRANTIES OF MERCHANTABILITY AND FITNESS FOR A PARTICULAR PURPOSE, SHALL BE LIMITED IN DURATION TO THE ONE YEAR DURATION OF THIS WRITTEN LIMITED WARRANTY. Some states do not allow limitations on how long an implied warranty lasts, so the above limitation may not apply to you.

IN NO EVENT SHALL WE BE LIABLE FOR ANY SPECIAL, INCIDENTAL OR CONSEQUENTIAL DAMAGES FOR BREACH OF THIS OR ANY OTHER WARRANTY, EXPRESSED OR IMPLIED, WHATSOEVER. Some states do not allow the exclusion or limitation of special, incidental or consequential damages so the above limitation or exclusion may not apply to you. This warranty gives you specific legal rights, and you may also have other rights which vary from state to state.

MO2020 TESTOSCILLATOR

The MO2020 is a signal generator for electronic testing in the audio frequency range. It has a 1/4" unbalanced sine wave output, and a 1/4" unbalanced square wave output. For external control or sweeping of the frequency range, a 1/4" VCO input is provided to receive 1.2 to 5 volts dc.

- Frequency range from 20Hz to 24kHz
- 1/4" unbalanced Outputs
- Sine and Square wave outputs
- -10 dB pad for referencing
- Power Loop-Through for connection to additional unit



Salt Lake City, Utah
8/99



INTRODUCTION

Thank you for your purchase of the MO2020 Testoscillator. The MO2020 is designed to provide a sine wave, or square wave via 1/4" unbalanced jacks, for testing audio devices. The units frequency output varies from 20Hz to 24kHz.

DESCRIPTION

FRONT PANEL

Output Pad: When depressed, the output level is dropped by 10 dB.

Frequency: Varies the frequency generated by the MO2020 from 20Hz to 24kHz. PLEASE NOTE: THE FREQUENCY MARKINGS ON THE MO2020 ARE APPROXIMATE AND MAY VARY. FOR ACCURATE FREQUENCY SELECTION, USE A RELIABLE FREQUENCY COUNTER.

Sine Level: Controls the output level of the Sine Out jack.

SQR Level: Controls the output level of the SQR (square) Out jack.

REAR PANEL (Labeling for the rear panel is located on the top of the unit)

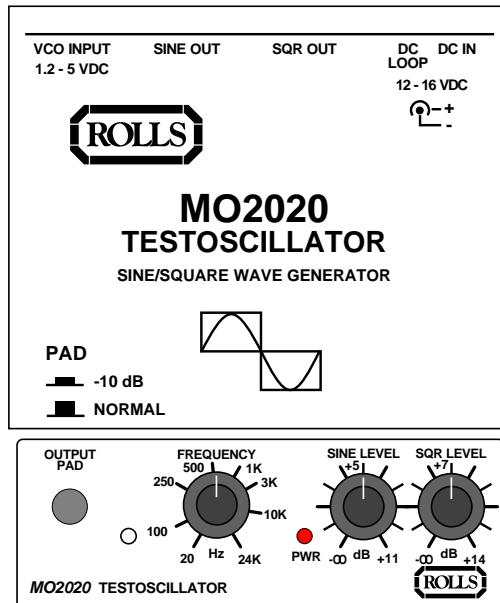
VCO Input: 1/4" jack for connection to a Voltage Control source which may vary from 1.2 volts to 5 volts dc. This voltage allows for external control of the MO2020's frequency. THE FREQUENCY CONTROL MUST BE SET TO MAXIMUM FOR PROPER OPERATION OF THE VCO CONTROL.

Sine Out: 1/4" unbalanced jack containing the sine wave signal.

SQR Out: 1/4" unbalanced jack containing the square wave signal.

DC Loop: Paralleled power jack for connection to another MO2020.

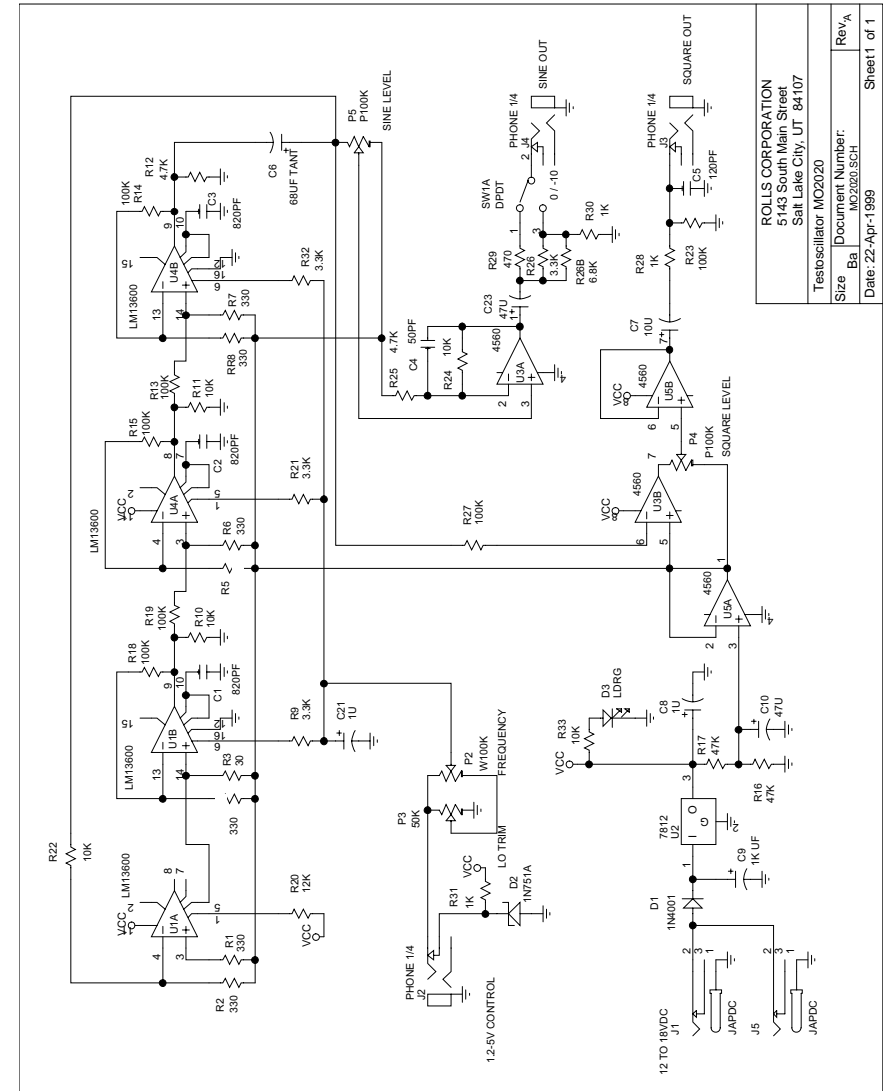
DC In: For connection to the included Rolls power supply.



SPECIFICATIONS

Output Level: +11 dB Sine
+14 dB Square
Output Impedance: 100 Ω
THD (Sine): <1%
Size: 4.25" x 3.75" x 1.75"
Power: 12 - 16 Volts DC 50 mA

SCHEMATIC



ROLLS CORPORATION
5143 South Main Street
Salt Lake City, UT 84107

Testoscillator MO2020
Size Ba Document Number:
MO2020.SCH
Date: 22-Apr-1999

Rev A
Sheet 1 of 1