

## LIMITED WARRANTY

This product is warranted to the original consumer purchaser to be free from defects in materials and workmanship under normal installation, use and service for a period of one (1) year from the date of purchase as shown on the purchaser's receipt.

The obligation of Rolls Corporation under this warranty shall be limited to repair or replacement (at our option), during the warranty period of any part which proves defective in material or workmanship under normal installation, use and service, provided the product is returned to Rolls Corporation, TRANSPORTATION CHARGES PRE-PAID. Products returned to us or to an authorized Service Center must be accompanied by a copy of the purchase receipt. In the absence of such purchase receipt, the warranty period shall be one (1) year from the date of manufacture.

This warranty shall be invalid if the product is damaged as a result of defacement, misuse, abuse, neglect, accident, destruction or alteration of the serial number, improper electrical voltages or currents, repair, alteration or maintenance by any person or party other than our own service facility or an authorized Service Center, or any use violative of instructions furnished by us.

This one-year warranty is in lieu of all expressed warranties, obligations or liabilities. ANY IMPLIED WARRANTIES, OBLIGATIONS, OR LIABILITIES, INCLUDING BUT NOT LIMITED TO THE IMPLIED WARRANTIES OF MERCHANTABILITY AND FITNESS FOR A PARTICULAR PURPOSE, SHALL BE LIMITED IN DURATION TO THE ONE YEAR DURATION OF THIS WRITTEN LIMITED WARRANTY. Some states do not allow limitations on how long an implied warranty lasts, so the above limitation may not apply to you.

IN NO EVENT SHALL WE BE LIABLE FOR ANY SPECIAL, INCIDENTAL OR CONSEQUENTIAL DAMAGES FOR BREACH OF THIS OR ANY OTHER WARRANTY, EXPRESSED OR IMPLIED, WHATSOEVER. Some states do not allow the exclusion or limitation of special, incidental or consequential damages so the above limitation or exclusion may not apply to you. This warranty gives you specific legal rights, and you may also have other rights which vary from state to state.

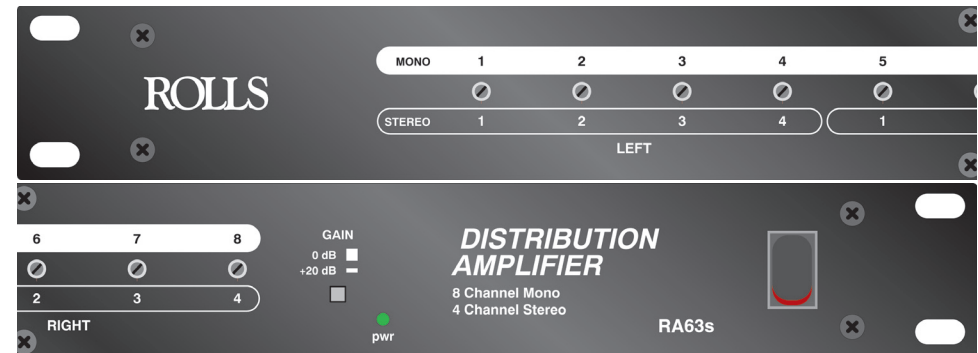
# ROLLS

ROLLS CORPORATION  
SALT LAKE CITY, UTAH

11/03

# ROLLS

## RA63s DISTRIBUTION AMPLIFIER



### FEATURES

- Stereo 4 channel, Mono 8 channel audio distribution
- Screw driver adjustable front panel volume controls
- Balanced inputs and outputs

### SPECIFICATIONS

Input Impedance:	100 K $\Omega$ balanced
Max Input Level:	+22 dBV
I/O Connectors:	Screw terminal; +, -, and ground
Output Impedance:	50 $\Omega$ balanced
Max Output Level:	+24 dB
Max Gain:	20 dB
S/N Ratio:	>90 dB
Frequency Response:	10 Hz - 40 kHz, +/- 1 dB
THD:	<.008%
Power:	120 VAC 50-60 Hz, 15VA
Size:	19" x 1.75" x 6.5" (48 x 4.5 x 17 cm)
Weight:	7 lbs. (3 kg)

OWNERS MANUAL

# INTRODUCTION

Thank you for your purchase of the ROLLS RA63s Distribution Amplifier. This unit will distribute a mono signal to eight outputs, or a stereo signal to four right and four left outputs. The outputs are designed to drive high-level balanced lines in a sound distribution system. The screw terminals on the rear panel are for input and output, and each output may power more than one line.

**NOTE: THIS MANUAL ASSUMES THE USER HAS A BASIC WORKING KNOWLEDGE OF AUDIO ELECTRONICS, BALANCED AND UNBALANCED CONNECTIONS, AND PROPER SIGNAL LEVEL SETTING.**

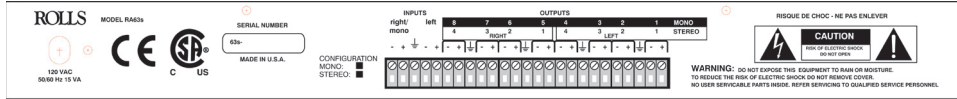
## DESCRIPTION

### FRONT PANEL



**Mono 1 - 8 / Stereo 1 - 4:** These screwdriver-adjustable controls vary the level of signal for each indicated output.  
**+20dB/0dB Gain switch:** Pressing this switch in provides 20 dB of gain to the input signal.  
**pwr:** LED indicating the unit's power status.

### REAR PANEL

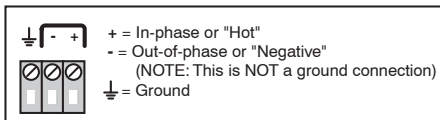


**120 VAC 50/60 HZ 15 VA:** Power Cord. Connect to a properly grounded AC source.

**CONFIGURATION PAD:** These label pads are included for you to mark how the RA63s is configured; either MONO 8 channel, or STEREO 4 channel. Use a felt tip pen, and mark the pad indicating the RA63s configuration.

**INPUTS Right/Mono and Left:** These five terminals, labeled + for the positive or "hot" connection, - for the negative connection, and the ground symbol for earth ground connection are for connection to the balanced or unbalanced input signal(s) to be distributed.

**MONO 1 - 8, STEREO 1 - 4:** For each channel; the two terminals labeled + for the positive or "hot" portion of the output signal, and the - for negative or neutral portion. The ground signal indicates the terminal to be connected to earth ground.



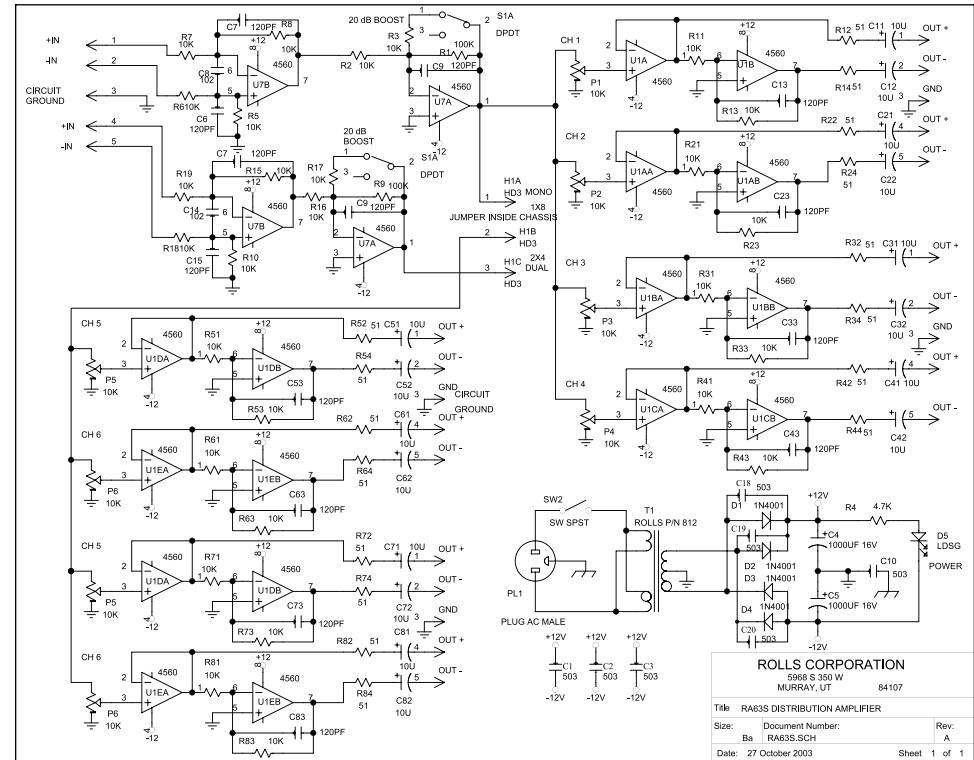
# INSTALLATION

Install the RA63s in a standard 19" rack. The unit is intended for installations where several zones or areas need to be controlled and a high level balanced signal is required to drive the input lines.

## STEREO/MONO CONFIGURATION

To change the stereo/mono configuration of the RA63s, begin by carefully removing the lid. Behind the Channels 5 and 6 level potentiometers is the 4X2 / 8X1 jumper. For stereo operation place the jumper in the 4X2 position, and for mono operation place the jumper in the 8X1 position. Mark the Configuration pad on the rear panel with a felt tip pen so you know which mode the RA63s is in. Replace the lid.

## SCHEMATIC



<b>ROLLS CORPORATION</b> 5988 S 350 W MURRAY, UT 84107		
Title:	RA63S DISTRIBUTION AMPLIFIER	Rev:
Size:	Document Number:	A
Ba	RA63S.SCH	
Date:	27 October 2003	Sheet 1 of 1