

Thank you for your purchase of the Rolls VP29 Phono Preamp. The VP29 is designed to amplify an RIAA equalized phono signal to a Hi-Fi level signal, and it works well with magnetic pickups.

INSPECTION

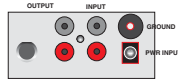
1. Unpack and Inspect the VP29 package
Your VP29 was carefully packed at the factory in a protective carton. Nonetheless, be sure to examine the unit and the carton for any signs of damage that may have occurred during shipping. If obvious physical damage is noticed, contact the carrier immediately to make a damage claim. We suggest saving the shipping carton and packing materials for safely transporting the unit in the future.

WARRANTY:

For complete warranty information please visit our website at www.rolls.com, and click on the Register Your Warranty Here button.

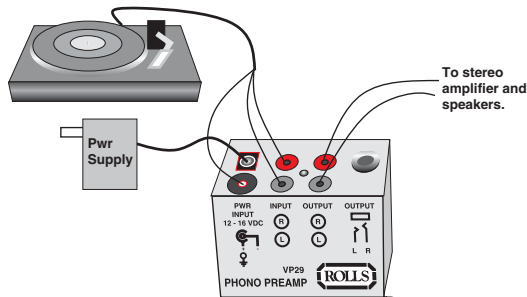
DESCRIPTION

PWR INPUT: 12 - 16 Volts DC, tip negative jack.
GROUND CONNECTOR: Connects to the Ground of the phono player
INPUT: Stereo RCA jacks for connection to the phono player
OUTPUT: Stereo RCA jacks for connection to a stereo system or amplifier.
OUTPUT: 1/4" Tip-Ring-Sleeve jack for connection to a stereo amplifier.

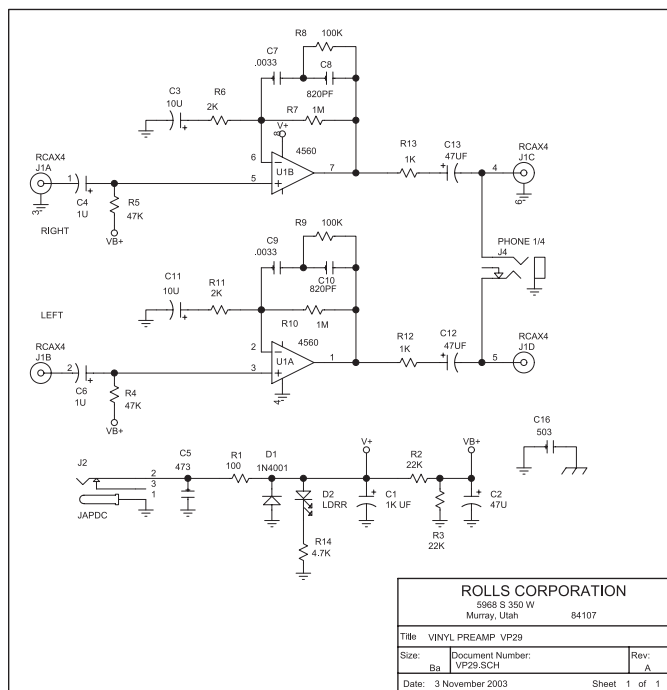


OPERATION

Shown below is an example of how to connect your VP29.



SCHEMATIC



... anywhere you need clean RIAA EQ to professional line level conversion.

ROLLS

- Broadcast
- Studio
- Home

VP29 PHONO PREAMP

VP29 PHONO PREAMP

ROLLS

VP29 Phono Preamp

- Converts RIAA Phono signals to Line Level
- Works well with magnetic phono pickups
- Stereo RCA and 1/4" outputs

Phono players require special equalization because of the frequency response of recording on vinyl. The VP29 equalizes and amplifies the phono signal to a clean, and full line level for professional amplification.

SPECIFICATIONS

- | | |
|---------------------|--|
| I/O Connectors: | RCA, 1/4" TRS Stereo |
| Input Sensitivity: | 35 dBV gain @
1kHz, 47k Ohms Input Z |
| Input Capacitance: | 5pf + cable capacitance |
| Input Impedance: | 50k Ohms |
| Output Impedance: | 1 K Ohms |
| Max Output Level: | >10dB @ 1kHz at at 1% dist. |
| Frequency Response: | + / - 1.5dB 20 Hz - 20 kHz
(Conforms to RIAA
Equalization Curve) |
| THD | .02% @ 1 kHz |
| S/N Ratio: | >80 dB unweighted |
| PWR: | 12 - 18 VDC |
| Size: | 3.25 x 2 x 1.5 |
| Weight: | 1 lb |



ROLLS

Rolls Corporation
Salt Lake City, UT
11/03

VP29 Phono Preamp

