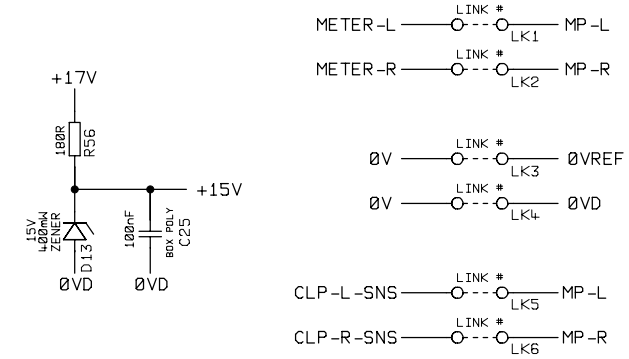


NOTE: ALL VOLTAGES MEASURED WITH 230V/115V A.C.

STUDIOMASTER DIAMOND LTD		TITLE	AMPLIFIER PSU CIRCUIT		FILE NAME
PRODUCT	VISION. FOCUS. 700D	PART 1 OF 2			R2C1C-4.DGM
VERSIONS	ALL	900E	DRN BY	P.B.	DATE
					09-06-99

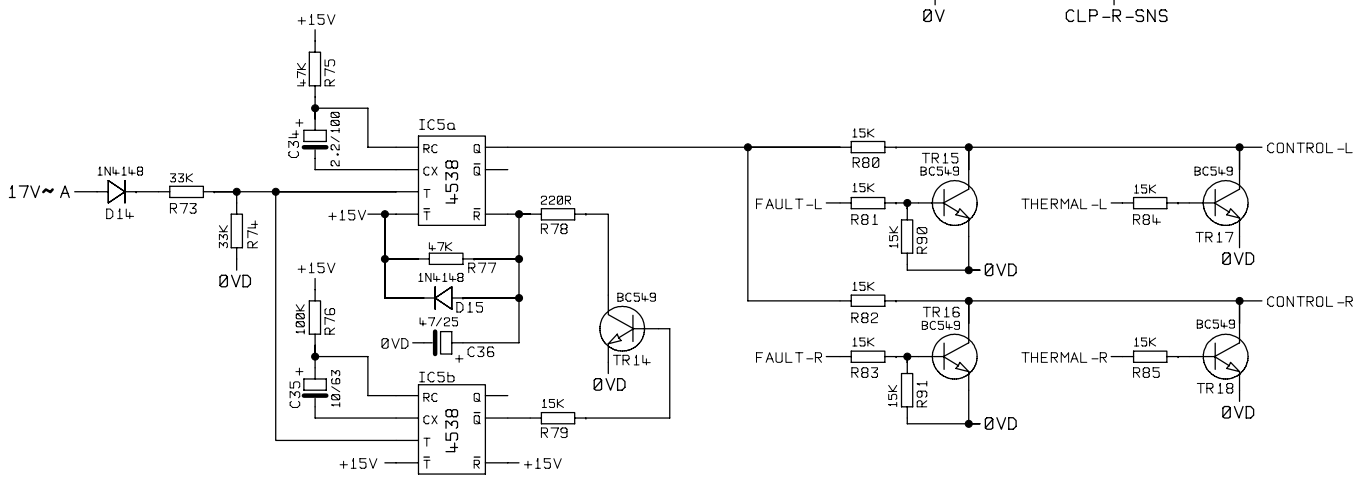
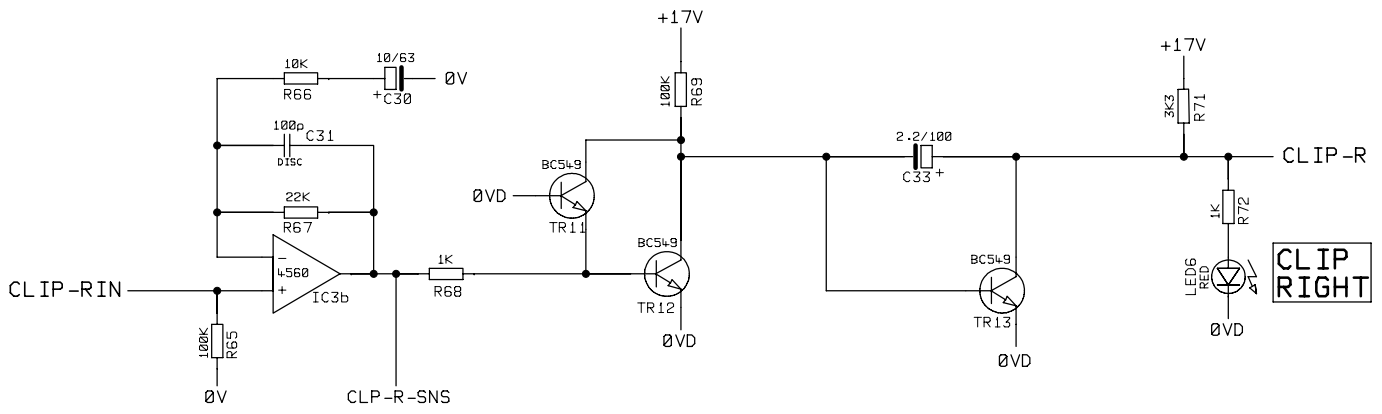
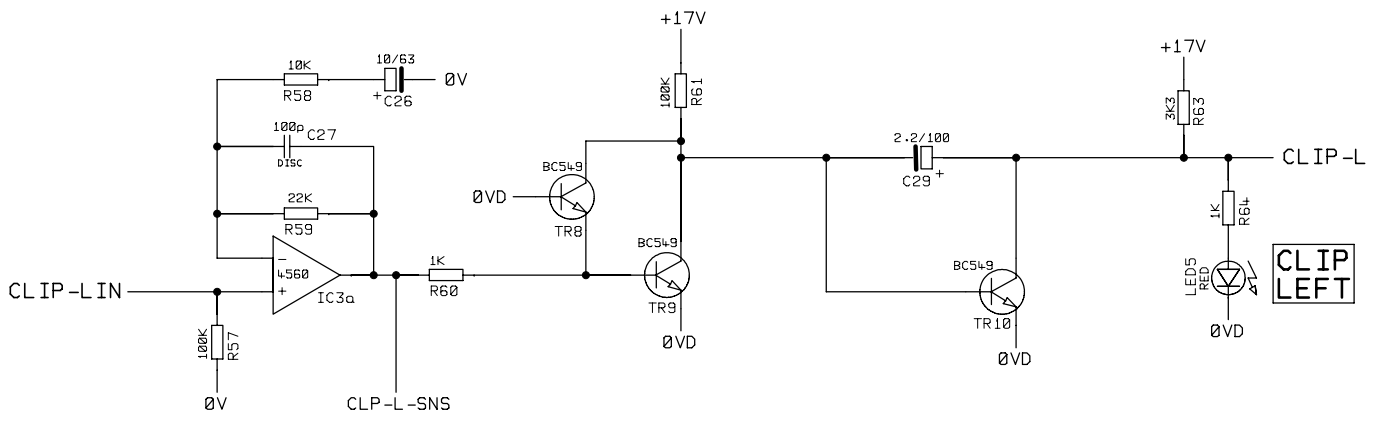
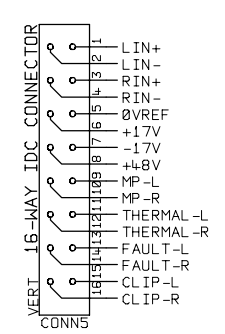
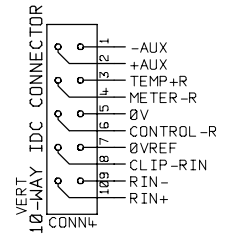
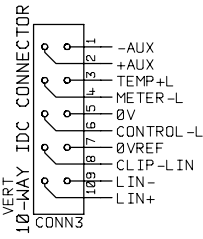
R2C1C-4



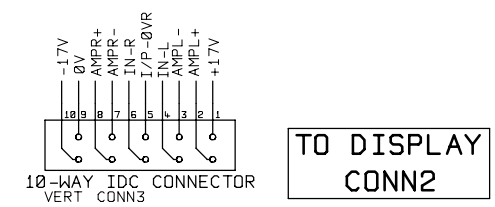
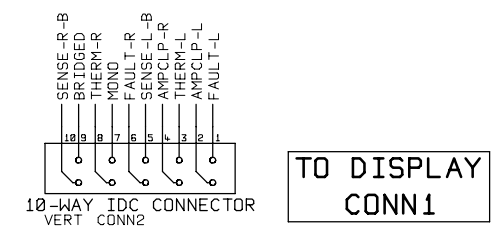
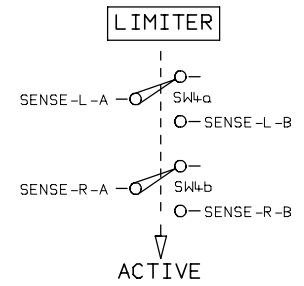
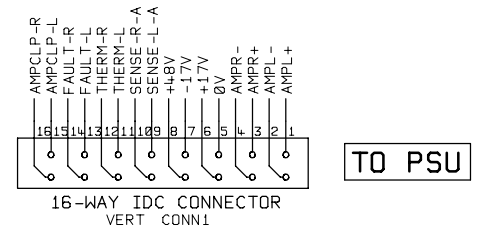
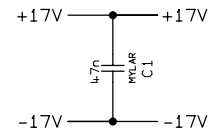
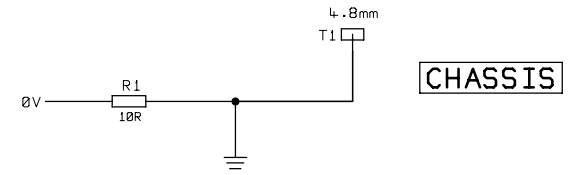
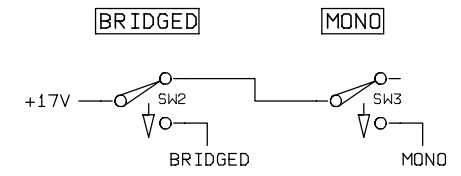
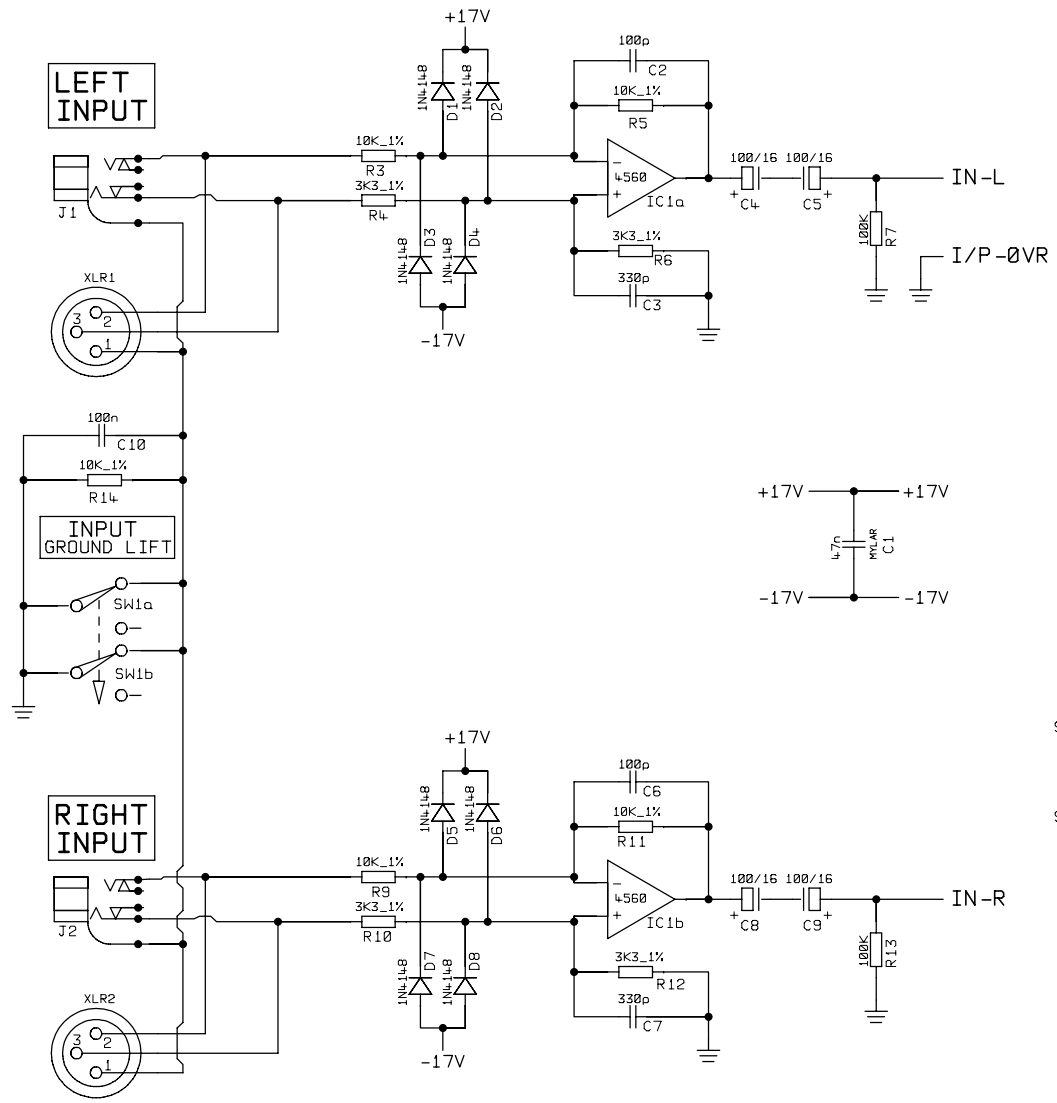
TO LEFT AMP

TO RIGHT AMP

TO IN-OUT BOARD

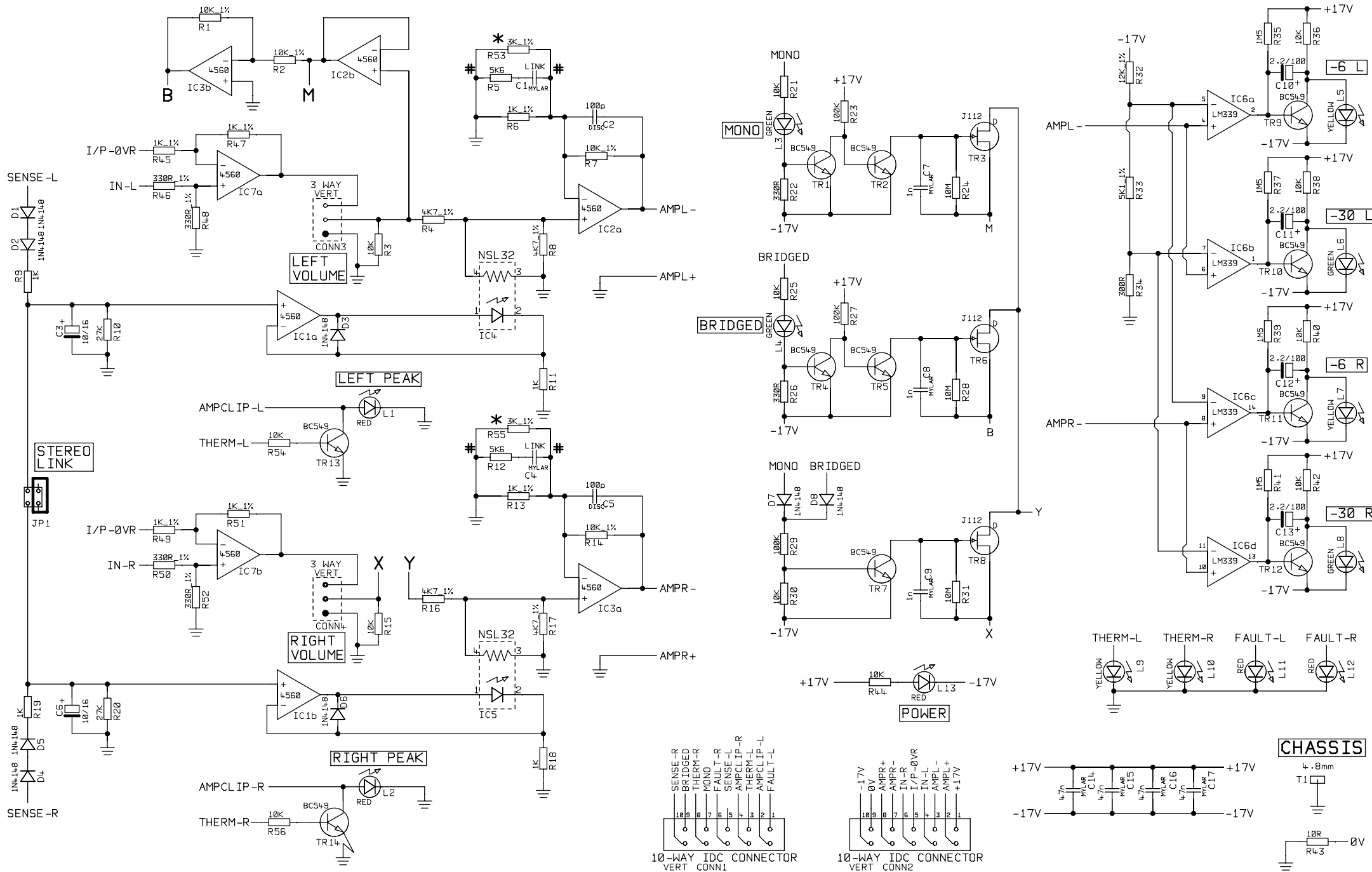


STUDIOMASTER DIAMOND LTD		TITLE	AMPLIFIER PSU CIRCUIT		FILE NAME	R2C1D-4.DGM	
PRODUCT	FOCUS, VISION, 700D	PART 2 OF 2			ISSUE No	R2C1D-4	
VERSIONS	ALL	900E	DRN BY	P.B.	DATE	03-06-99	



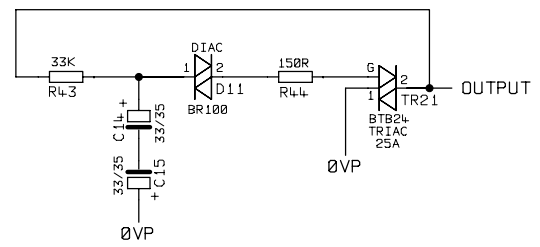
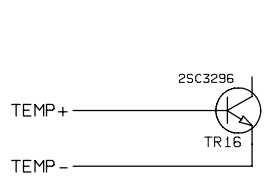
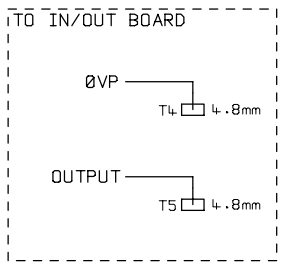
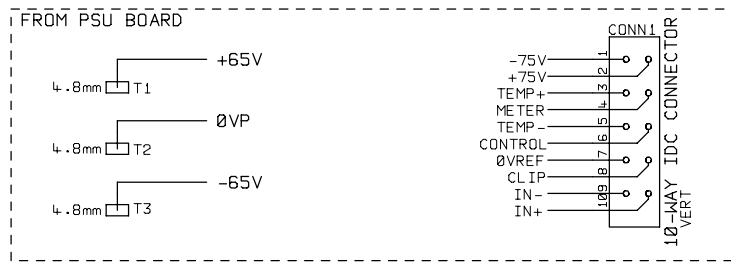
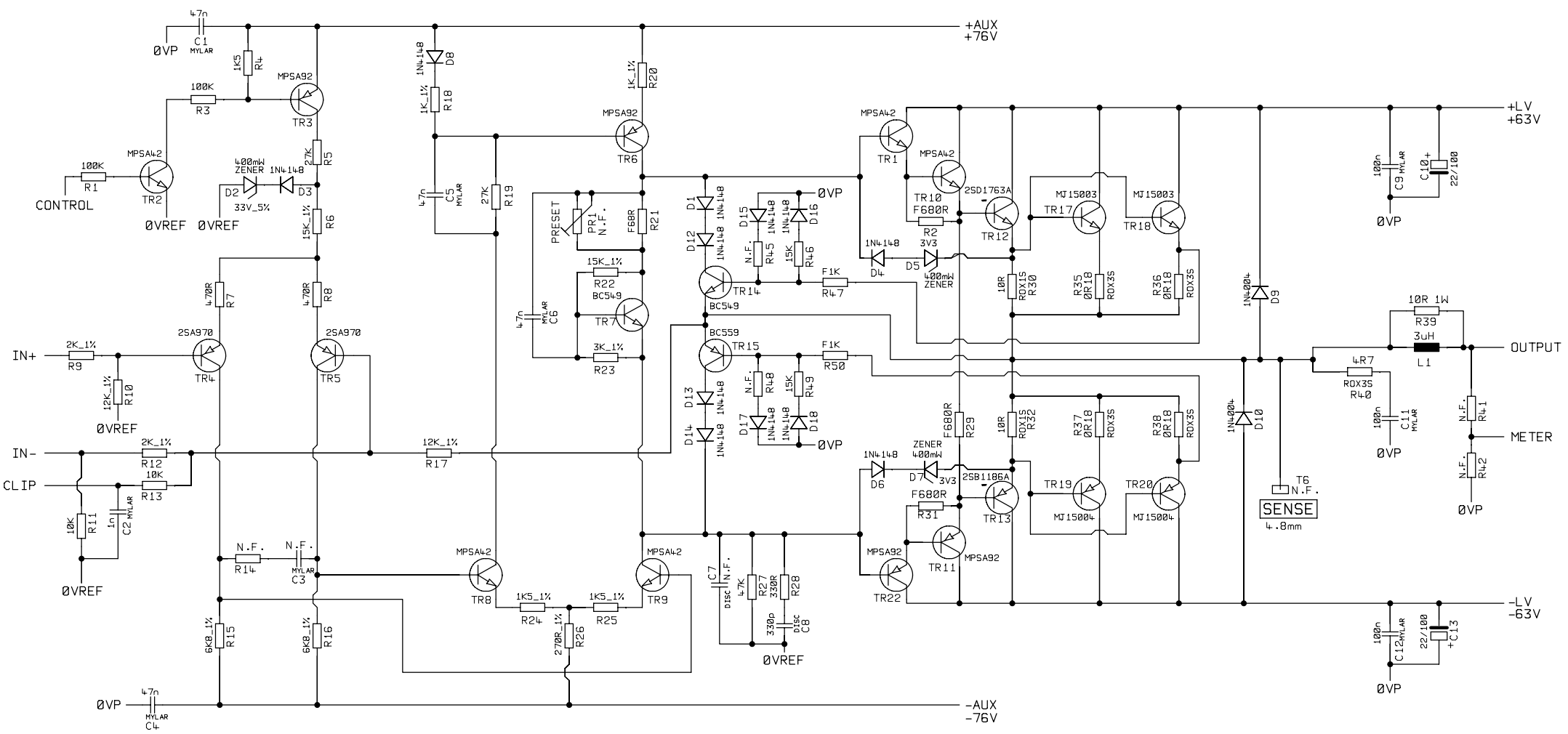
4 = LIMITER SWITCH SW4 RE-LABELLED WITH SENSE-L / SENSE-R
WAS AMPCLP-L / AMPCLP-R

STUDIOMASTER DIAMOND LTD		TITLE		INPUT CIRCUIT DIAGRAM		FILE NAME	
PRODUCT		700D, 1200D, 1600D		PART 1 OF 1		R2C14-4.DGM	
		900E, 1500E, 2000E		DRN BY		ISSUE No	
				P.A.		R2C14-4	
				DATE		25-01-99	



NOTE: JUMPER POSITION JP1 IS MARKED IN FACTORY PRESET POSITION (1500E/2000E)
 NOTE: * = FIT COMPONENTS ON 12 & 1600D VERSION ONLY
 NOTE: # = FIT LINK IN POSITIONS C1 & C4 ON 1600D /2000E VERSION ONLY
 NOTE: # = FIT COMPONENTS R5 & R12 (5K6) ON 1600D /2000E VERSION ONLY

STUDIOMASTER DIAMOND LTD		TITLE		DISPLAY PCB CIRCUIT		FILE NAME	
PRODUCT		700D, 1200D, 1600D		PART 1 OF 1		R2C15-2.DGM	
		900E, 1500E, 2000E		DRN BY		P.A. DATE 18-07-97	
						ISSUE No	
						R2C15-2	



NOTE: VOLTAGES MEASURED AT 230V A.C. SUPPLY

REV3 = R47 & R50 CHANGED FROM 220R 5% TO 220R 5% FUSIBLE
 R4 CHANGED FROM 1K2 5% TO 1K5 5%
 REV4 = R45, R48 33k 5% REMOVED
 R46, R49 CHANGED FROM 5K6 TO 2K7 5%
 REV5 = 900E ADDED TO RANGE, R46 & R49 CHANGED FROM 2K7 TO 15K
 R47 & R50 CHANGED FROM F220R TO F1K (FUSIBLE),
 R35, R36, R37, R38 CHANGED FROM 0R22 ROX35 TO 0R18 ROX35

STUDIOMASTER DIAMOND LTD		TITLE		AMPLIFIER AMP CIRCUIT		FILE NAME	
PRODUCT		700D 900E PHV PHF		PART 1 OF 1		R1C5-4.DGM	
VERSIONS		ALL MODELS		DRN BY		ISSUE No	
		ALL MODELS		P.A.		R1C5-4	
		ALL MODELS		DATE		REV5	
		ALL MODELS		06-09-99			